



US00D679175S

(12) **United States Design Patent**
Moreau et al.

(10) **Patent No.:** **US D679,175 S**
(45) **Date of Patent:** **** Apr. 2, 2013**

(54) **LANYARD SLIDER**

(76) Inventors: **Darrell A. Moreau**, Manchester, NH
(US); **Andre W. Moresu**, Spring Hill,
FL (US)

(**) Term: **14 Years**

(21) Appl. No.: **29/427,422**

(22) Filed: **Jul. 18, 2012**

(51) **LOC (9) Cl.** **08-08**

(52) **U.S. Cl.** **D8/383; D11/87**

(58) **Field of Classification Search** D11/1-2,
D11/200-201, 206-210, 214-218, 3, 7, 86;
24/163 R, 169-171, 173, 177-179, 191, 194-195,
24/197, 200, 614-616, 625, 3.4, 115 R; D2/607;
D3/215, 318, 327; D8/26, 356, 383, 396
See application file for complete search history.

(56) **References Cited**

U.S. PATENT DOCUMENTS

2,740,654	A *	4/1956	Orschel	292/323
3,187,396	A *	6/1965	Carroll	24/115 R
3,364,500	A *	1/1968	Fox	2/150
D241,284	S *	9/1976	Johnston	D2/607
D247,345	S *	2/1978	Mulholland	D8/383
D251,545	S *	4/1979	Boden	D8/383
D256,560	S *	8/1980	van Eyben	D10/30
D297,304	S *	8/1988	Ito et al.	D8/383
D308,282	S *	6/1990	Bergman et al.	D2/978
D382,503	S *	8/1997	Kalbach	D11/7
D418,774	S *	1/2000	Kalbach	D11/7

D433,649	S *	11/2000	Buettell	D11/200
D462,523	S *	9/2002	Kalbach	D3/327
D466,433	S *	12/2002	Goto	D11/87
D467,416	S *	12/2002	Kalbach	D3/215
D477,776	S *	7/2003	Pontaoe	D8/396
6,711,785	B1 *	3/2004	Hicks et al.	24/3.4
D507,110	S *	7/2005	Hicks et al.	D3/318
D516,933	S *	3/2006	Armani	D11/7
D517,942	S *	3/2006	Stern	D11/86
D518,405	S *	4/2006	Stern	D11/86
D518,407	S *	4/2006	Stern	D11/86
D536,173	S *	2/2007	Hicks et al.	D3/318
D541,523	S *	5/2007	Zoullas et	D3/215
D667,749	S *	9/2012	Case et al.	D11/3

* cited by examiner

Primary Examiner — Ralf Seifert

(74) *Attorney, Agent, or Firm* — Robert R Deleault, Esq.;
Mesner & Deleault, PLLC

(57) **CLAIM**

We claim the ornamental design for lanyard slider, as shown
and described.

DESCRIPTION

FIG. 1 is a front, left perspective view of a lanyard slider
showing our new design.

FIG. 2 is a top plan view thereof.

FIG. 3 is a bottom plan view thereof.

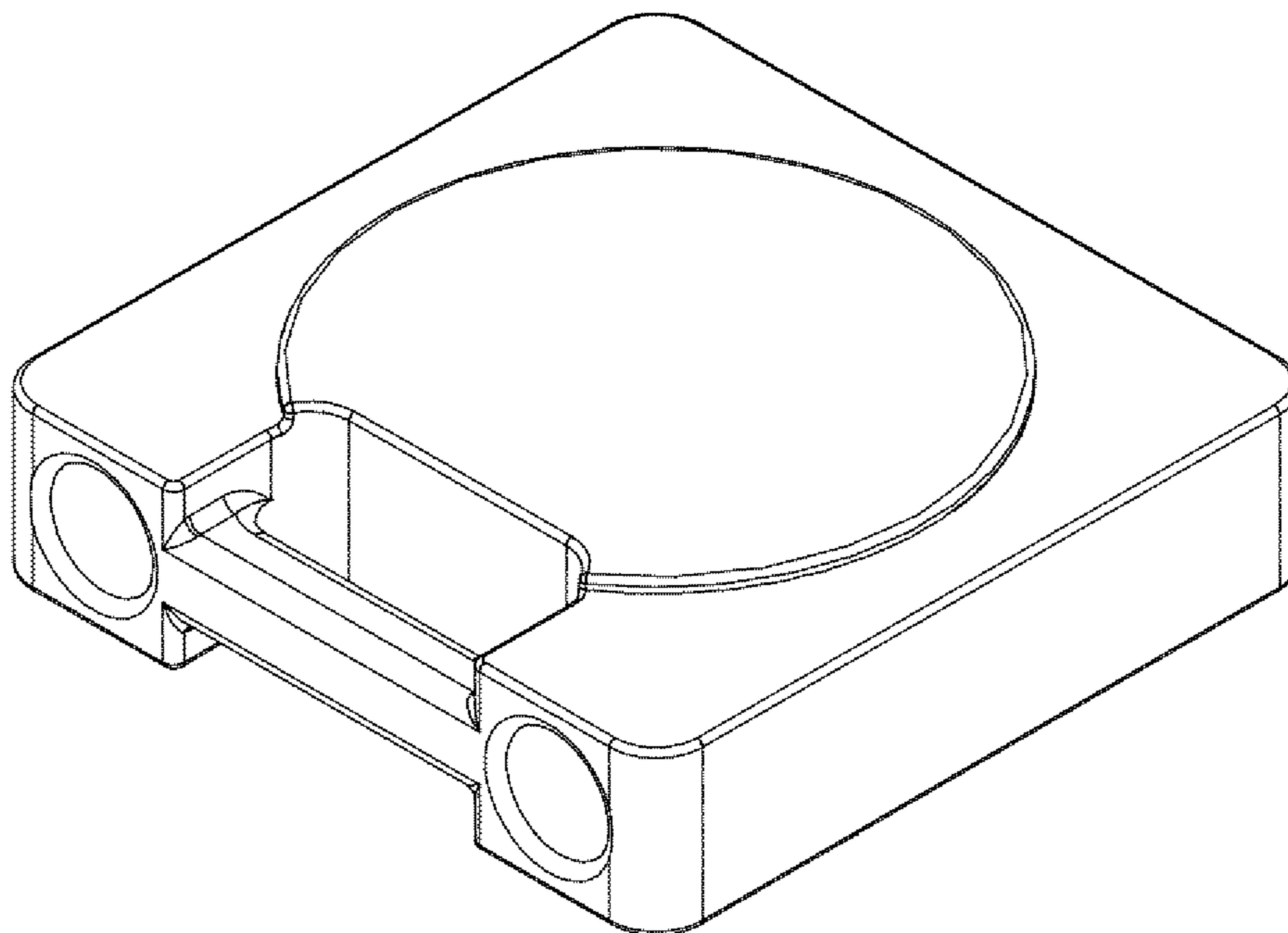
FIG. 4 is a front plan view thereof.

FIG. 5 is a rear plan view thereof;

FIG. 6 is a left side plan view thereof; and,

FIG. 7 is right side plan view thereof.

1 Claim, 1 Drawing Sheet



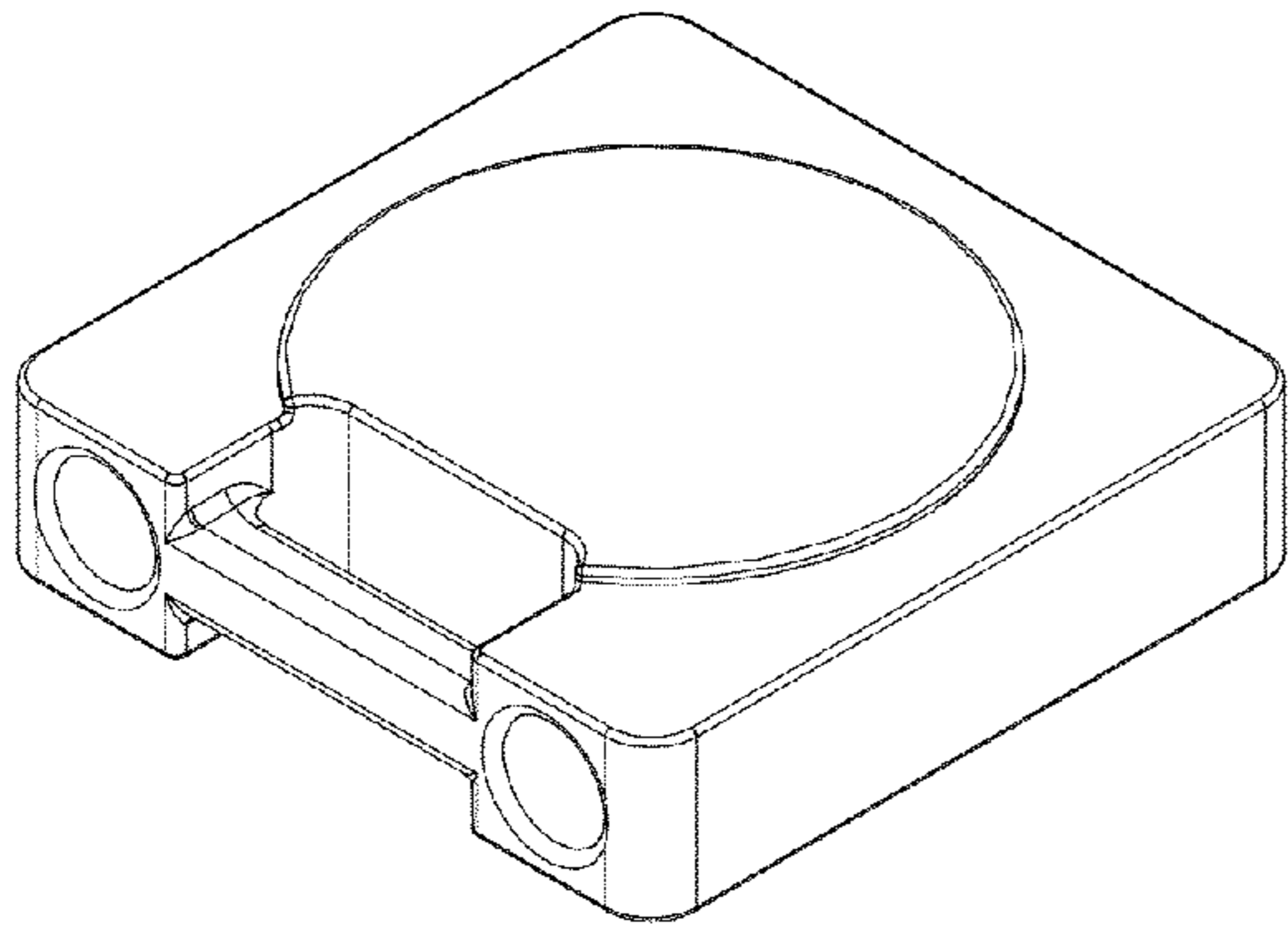


Fig. 1

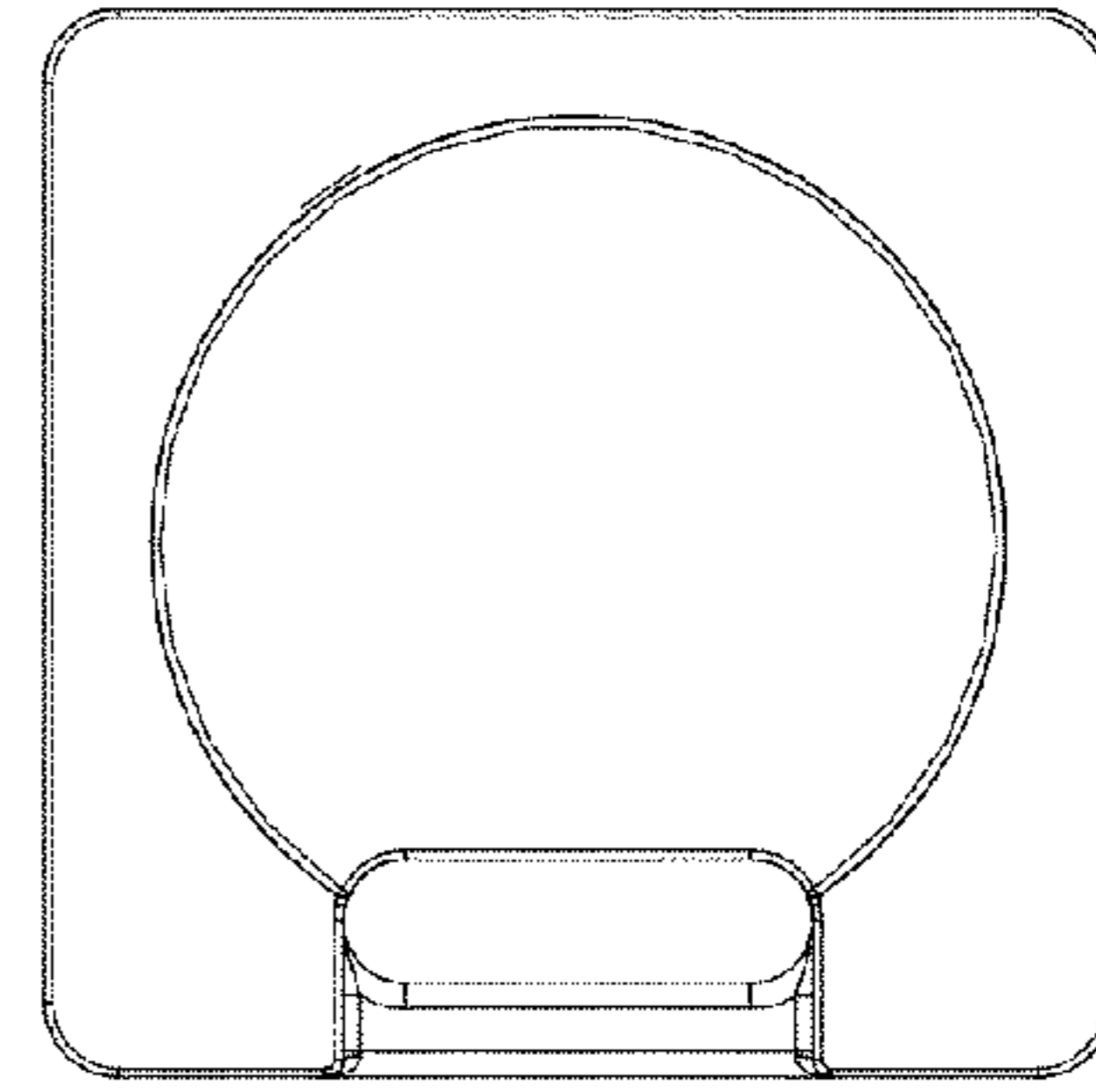


Fig. 2

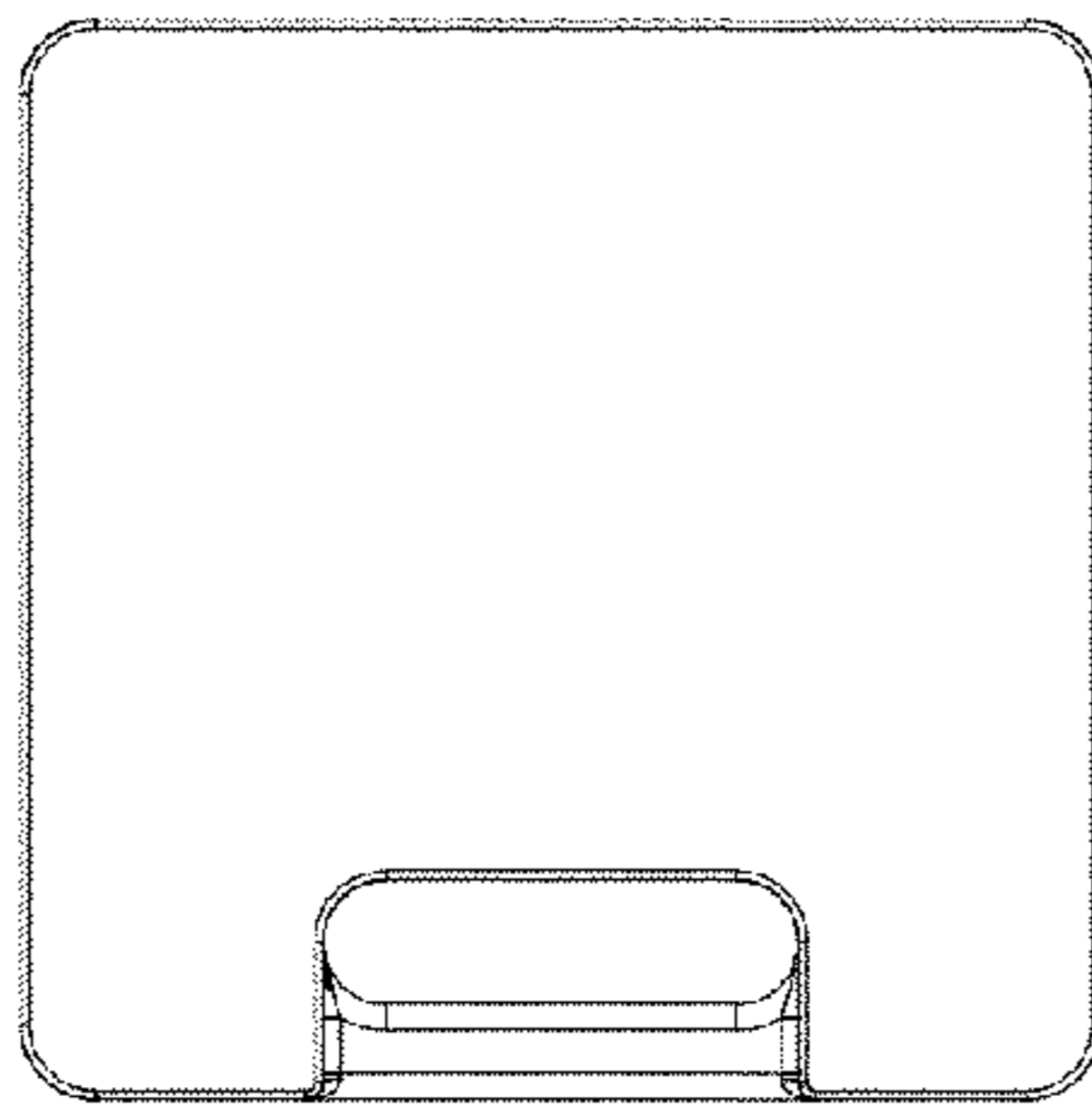


Fig. 3

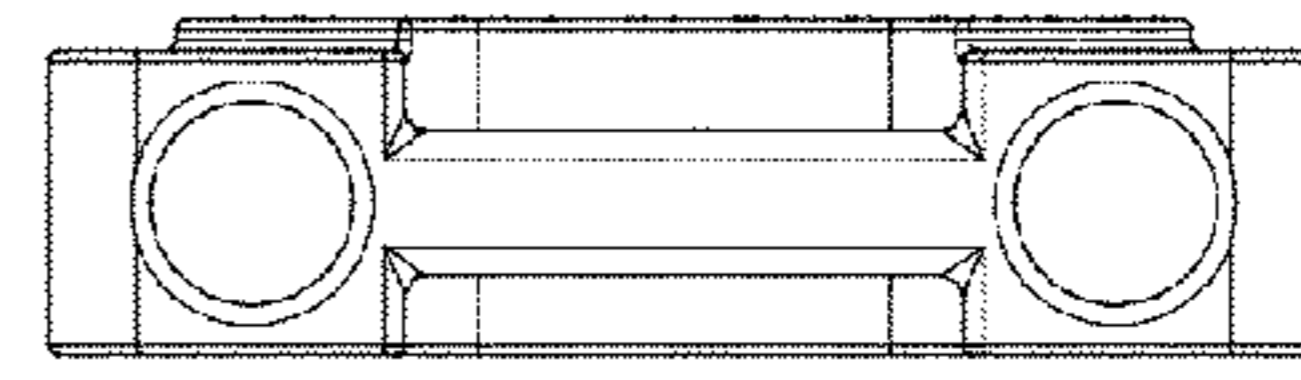


Fig. 4

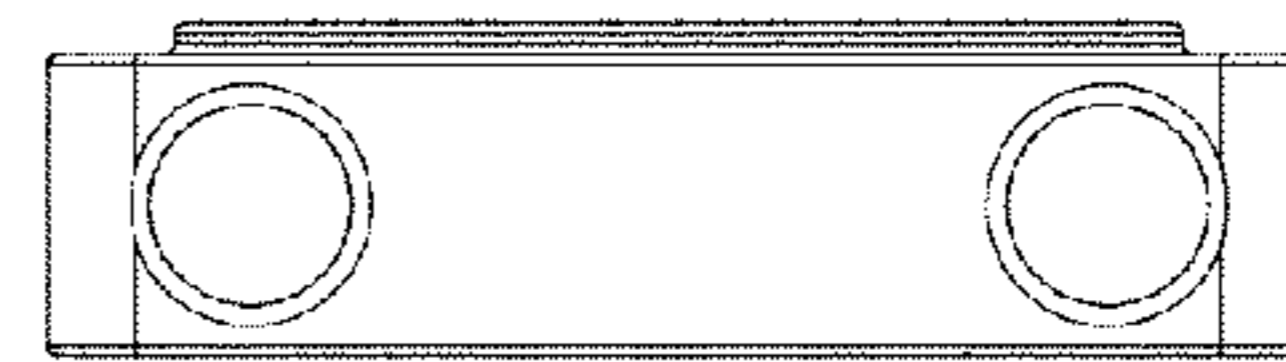


Fig. 5



Fig. 6



Fig. 7