



US00D679174S

(12) **United States Design Patent**
Nowak

(10) **Patent No.:** **US D679,174 S**

(45) **Date of Patent:** **** Apr. 2, 2013**

(54) **DISPLAY BRACKET**

(75) Inventor: **Witold Nowak**, Harwood Heights, IL
(US)

(73) Assignee: **Rapid Displays, Inc.**, Chicago, IL (US)

(**) Term: **14 Years**

(21) Appl. No.: **29/409,536**

(22) Filed: **Dec. 23, 2011**

(51) **LOC (9) Cl.** **08-05**

(52) **U.S. Cl.** **D8/381**

(58) **Field of Classification Search** D6/315-328,
D6/512, 553, 556, 567; 223/85-98; D8/354,
D8/355, 381, 371, 373; 248/121, 200, 220.21,
248/300, 309.1; 108/29, 30, 47, 152, 160
See application file for complete search history.

(56) **References Cited**

U.S. PATENT DOCUMENTS

D7,413	S	*	5/1874	Jones	D8/381
4,018,167	A	*	4/1977	Spangler	108/152
4,660,477	A	*	4/1987	Kortering et al.	108/108
4,914,873	A	*	4/1990	Newhouse	52/36.1
D312,962	S	*	12/1990	Overton	D8/381
D315,494	S	*	3/1991	Latham	D8/373
5,116,007	A	*	5/1992	Von Gunton et al.	248/243
D338,126	S	*	8/1993	Callaway	D6/570

D343,569	S	*	1/1994	Jeng	D8/381
D367,221	S	*	2/1996	Burgasser et al.	D8/381
D618,087	S	*	6/2010	Stafford et al.	D8/363
D649,026	S	*	11/2011	Kong et al.	D8/381
D658,416	S	*	5/2012	Strickland	D6/553

* cited by examiner

Primary Examiner — Stella Reid

Assistant Examiner — Lauren Calve

(74) *Attorney, Agent, or Firm* — R. Blake Johnston, Esq.;
DLA Piper US LLP

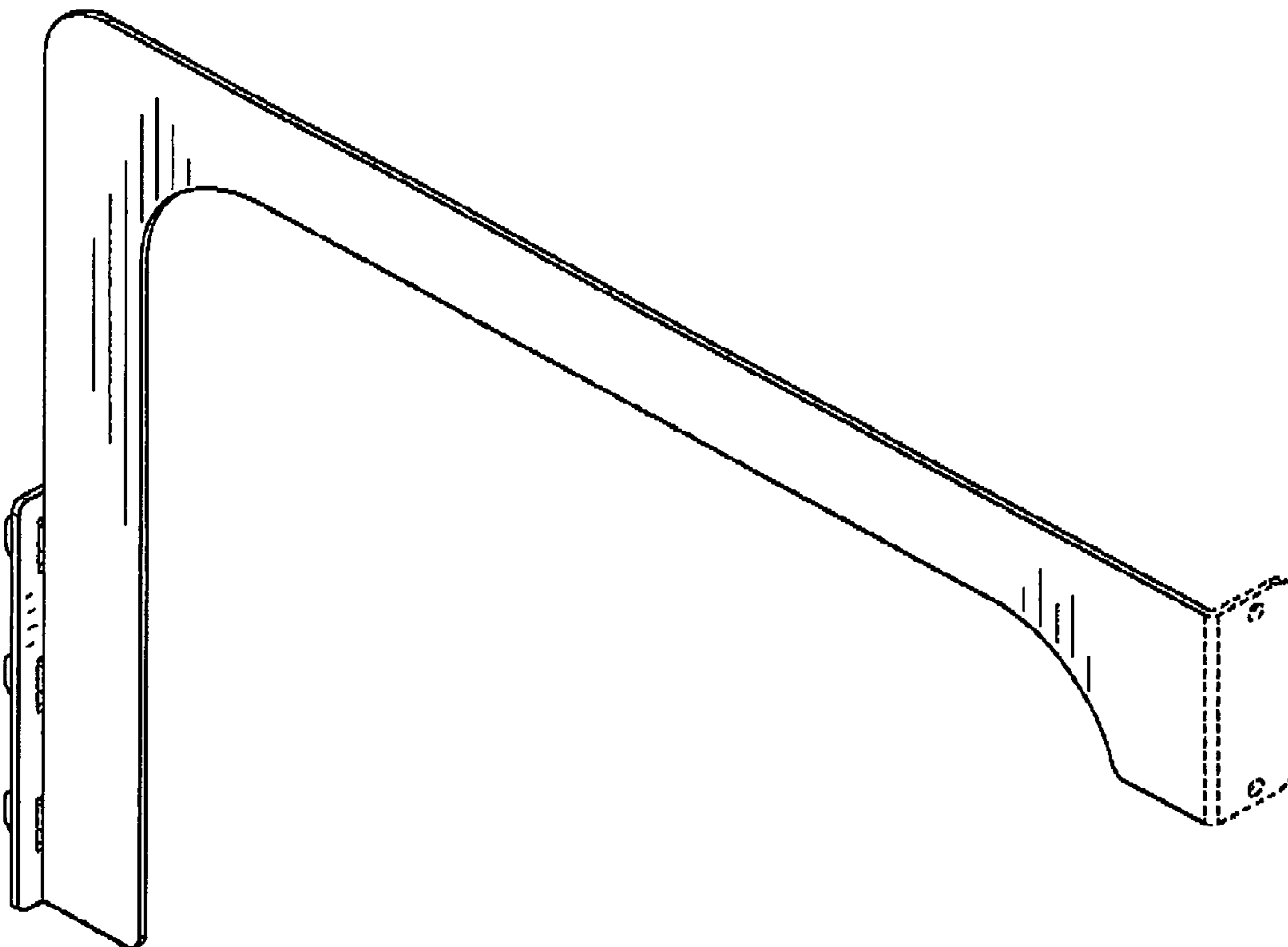
(57) **CLAIM**

The ornamental design for a display bracket, as shown and described.

DESCRIPTION

FIG. 1 is a perspective view of the display bracket;
FIG. 2 is a right side elevational view of the display bracket;
FIG. 3 is a left side elevational view of the display bracket;
FIG. 4 is a front elevational view of the display bracket;
FIG. 5 is a rear elevational view of the display bracket;
FIG. 6 is a top plan view of the display bracket; and,
FIG. 7 is a bottom plan view of the display bracket.
The broken lines shown are included for the purpose of illustrating the unclaimed portions of the article and form no part of the claimed design.

1 Claim, 3 Drawing Sheets



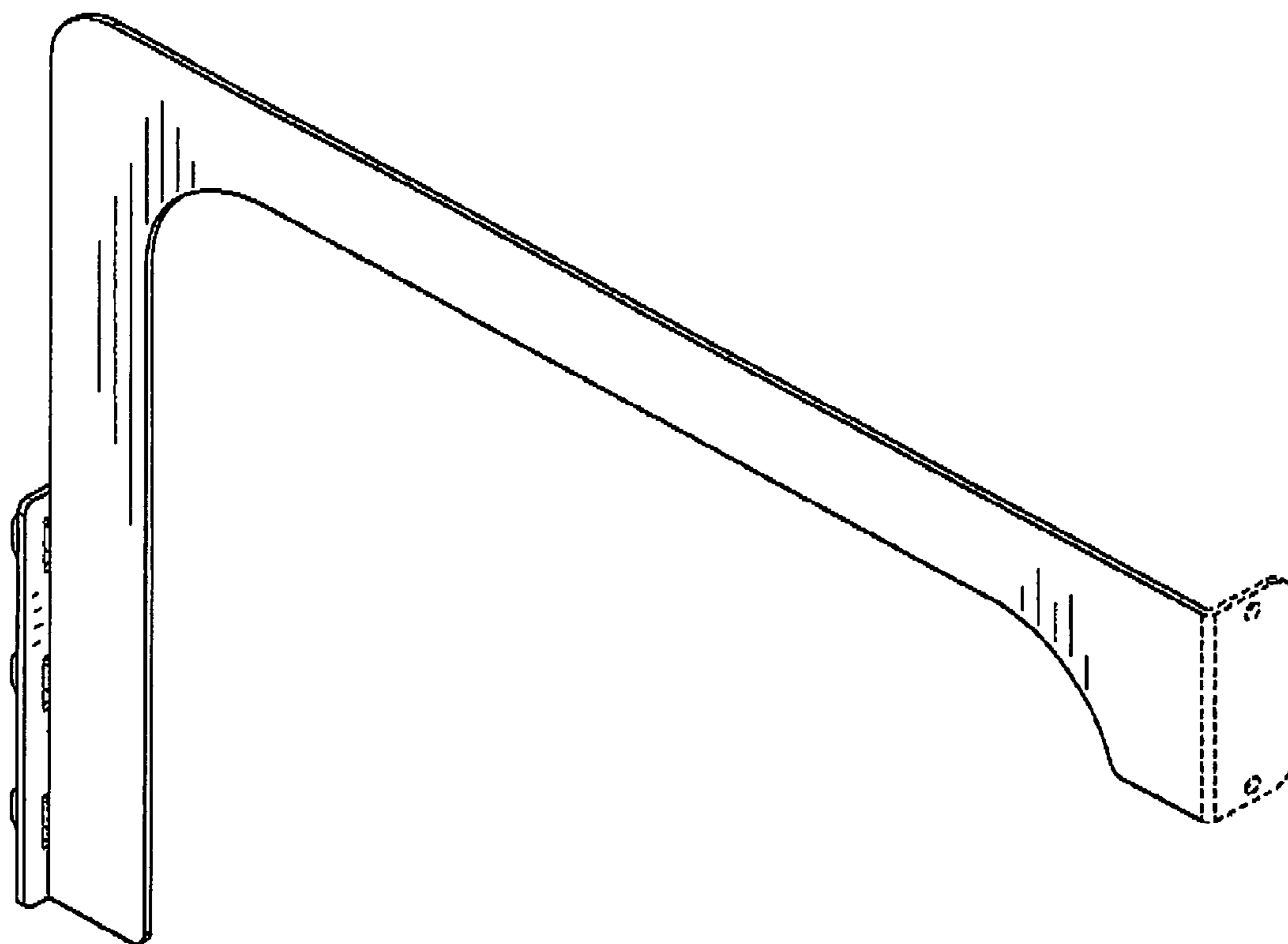


FIG. 1

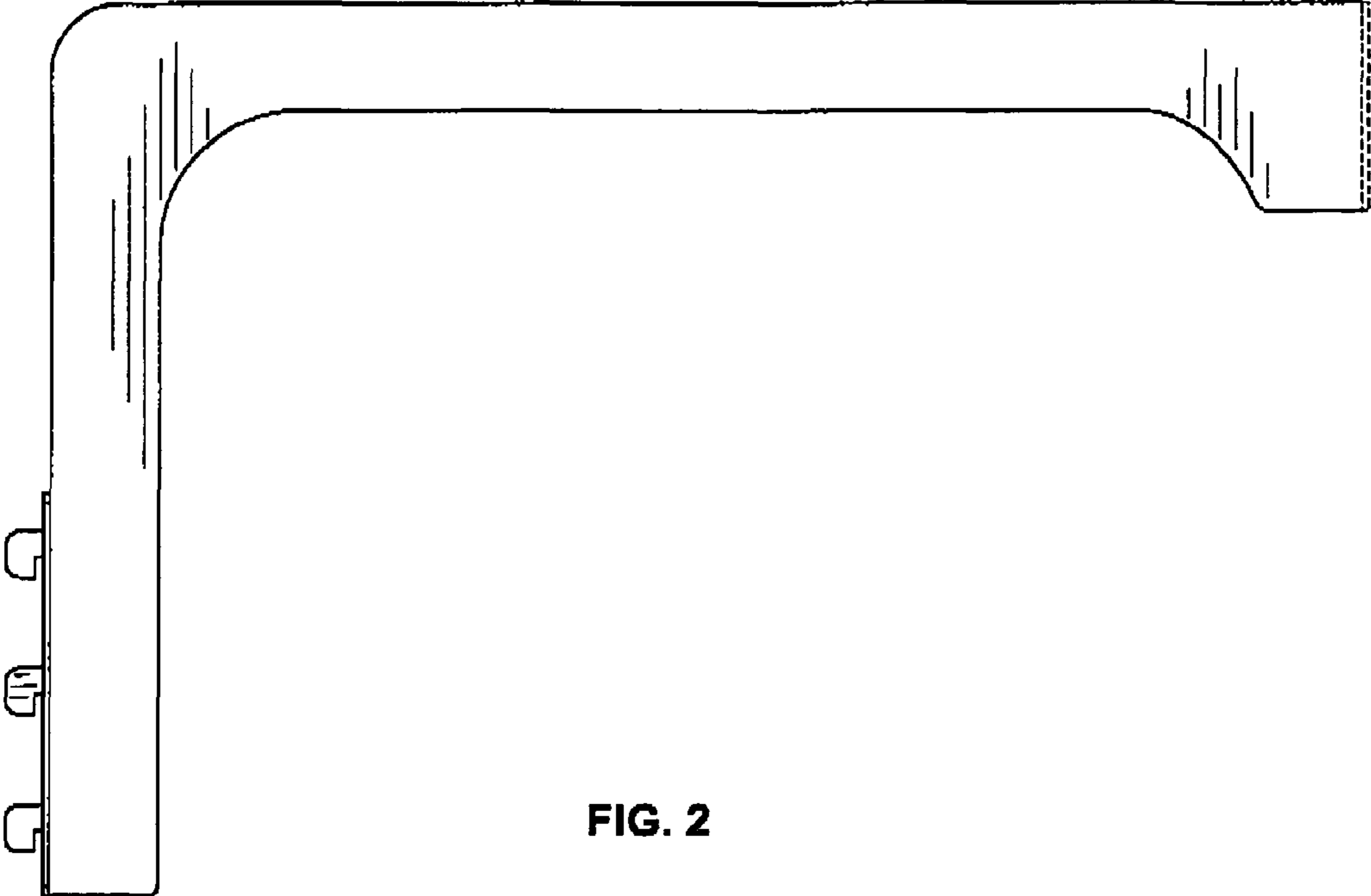


FIG. 2

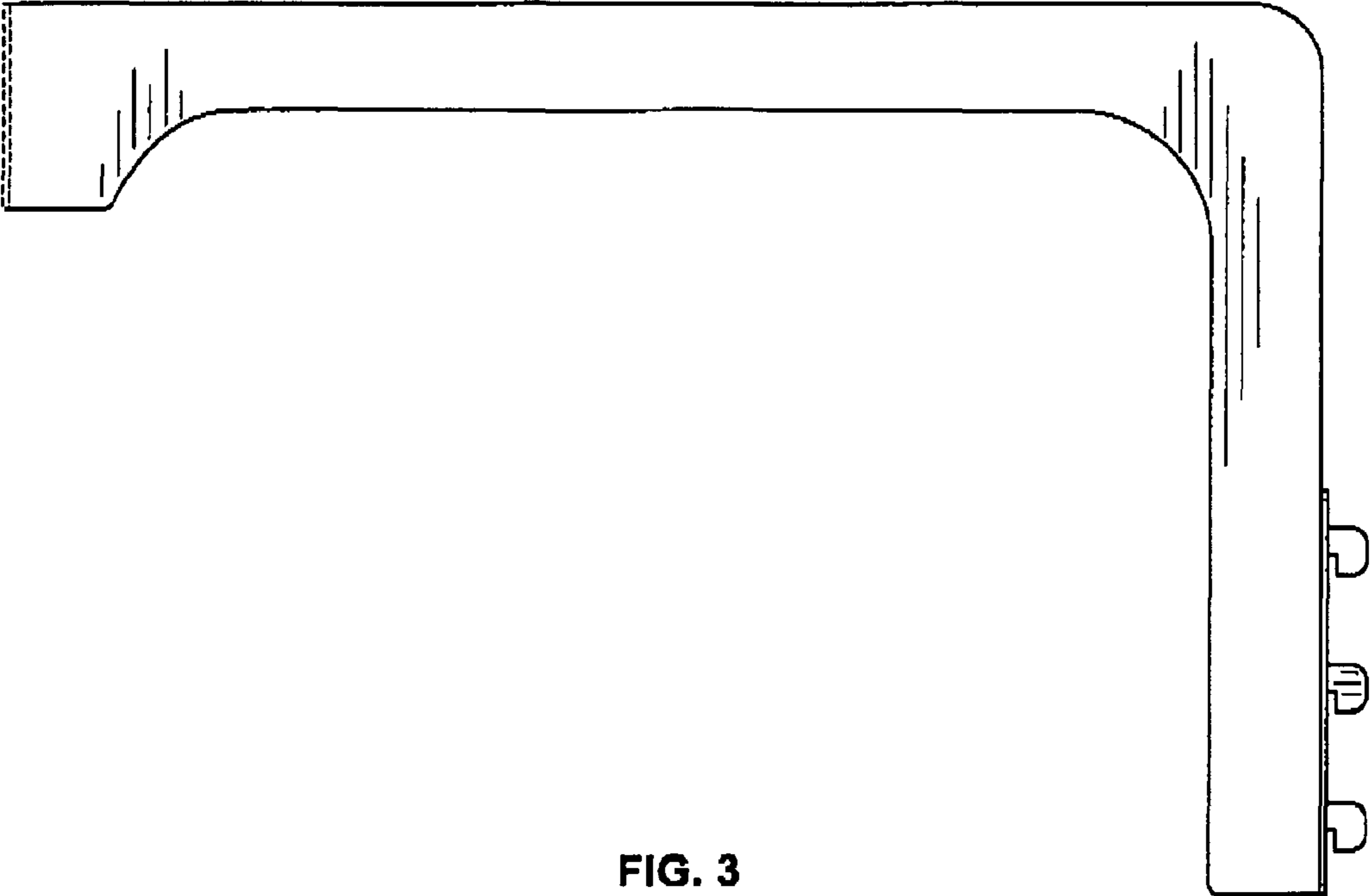


FIG. 3

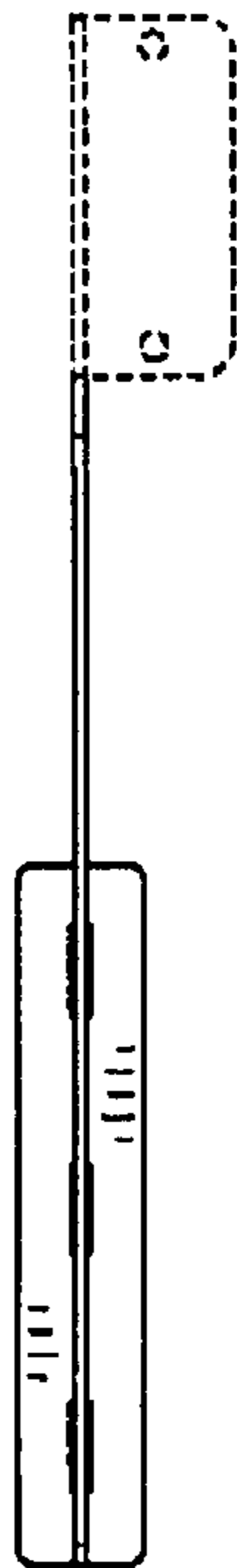


FIG. 4

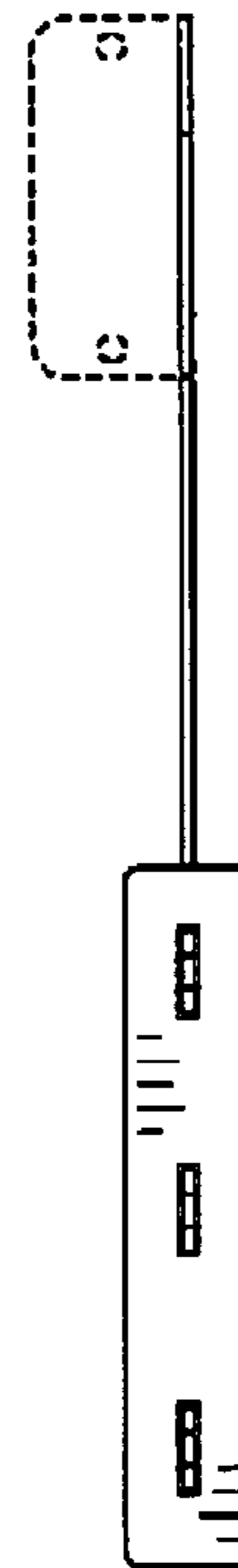


FIG. 5

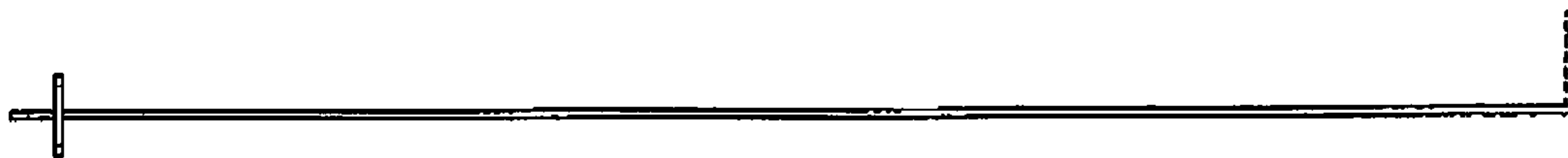


FIG. 6

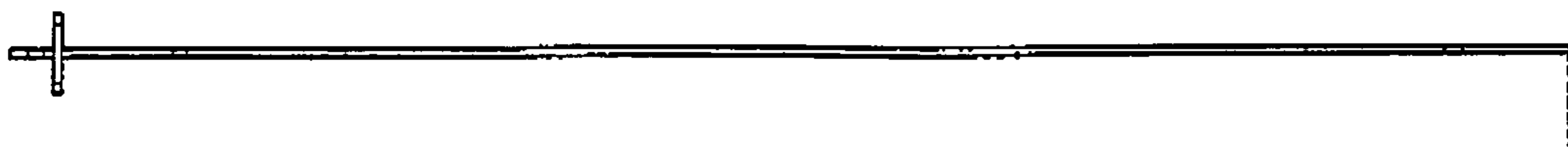


FIG. 7