



US00D679173S

(12) **United States Design Patent**  
**Parady et al.**

(10) **Patent No.:** **US D679,173 S**

(45) **Date of Patent:** **\*\* Apr. 2, 2013**

(54) **SHIM WITH FRANGIBLE PORTIONS**

(76) Inventors: **Doug Parady**, Temecula, CA (US);  
**Marc Todd**, Temecula, CA (US); **Neal Ziff**, Temecula, CA (US); **Steve Stuebaker**, Temecula, CA (US)

(\*\*) Term: **14 Years**

(21) Appl. No.: **29/407,318**

(22) Filed: **Nov. 28, 2011**

(51) **LOC (9) Cl.** ..... **08-05**

(52) **U.S. Cl.** ..... **D8/354**

(58) **Field of Classification Search** ..... D8/39,  
D8/354, 349, 367, 373, 71, 363, 380, 382,  
D8/400, 499, 355, 366, 371; D25/119, 138,  
D25/121, 124, 125, 126; D34/38; 248/323,  
248/126, 300, 121, 200, 217.3, 237, 309.1;  
206/512, 504, 585, 821; 411/466, 920; 52/715,  
52/122.1, 204.5, 238.1-243.1, 285.2, 394,  
52/395, 578, 582.1, 584.1, 589.1, 188, 182,  
52/191, 702, 712, 445.06, 189, 506.5, 586.1;  
108/53.1, 53.3, 53.5, 55.3, 55.5, 55.1, 56.3,  
108/201; 29/428, 525.01, 464; 249/14, 208,  
249/205; 403/169, 167; 384/626; 192/89.26  
See application file for complete search history.

(56) **References Cited**

**U.S. PATENT DOCUMENTS**

2,431,342 A \* 11/1947 Hathaway et al. .... 493/462  
2,772,596 A \* 12/1956 Trussell ..... 411/535

2,943,716 A \* 7/1960 Babcock ..... 52/653.1  
D246,346 S \* 11/1977 Strunk ..... D8/354  
4,485,607 A \* 12/1984 Nelson ..... 52/741.1  
5,853,838 A \* 12/1998 Siems et al. .... 428/43  
D423,909 S \* 5/2000 Hartin ..... D8/349  
6,058,671 A \* 5/2000 Strickland ..... 52/580  
6,062,517 A \* 5/2000 Torres et al. .... 248/188.2  
6,533,516 B2 \* 3/2003 Lemelin ..... 411/539  
D483,651 S \* 12/2003 Sander ..... D8/349  
D492,187 S \* 6/2004 Mottini ..... D8/354  
D566,518 S \* 4/2008 Friedman ..... D8/323  
7,845,693 B2 \* 12/2010 Li et al. .... 292/288

\* cited by examiner

*Primary Examiner* — Mark Goodwin

(74) *Attorney, Agent, or Firm* — Patent Law & Venture Group; Gene Scott

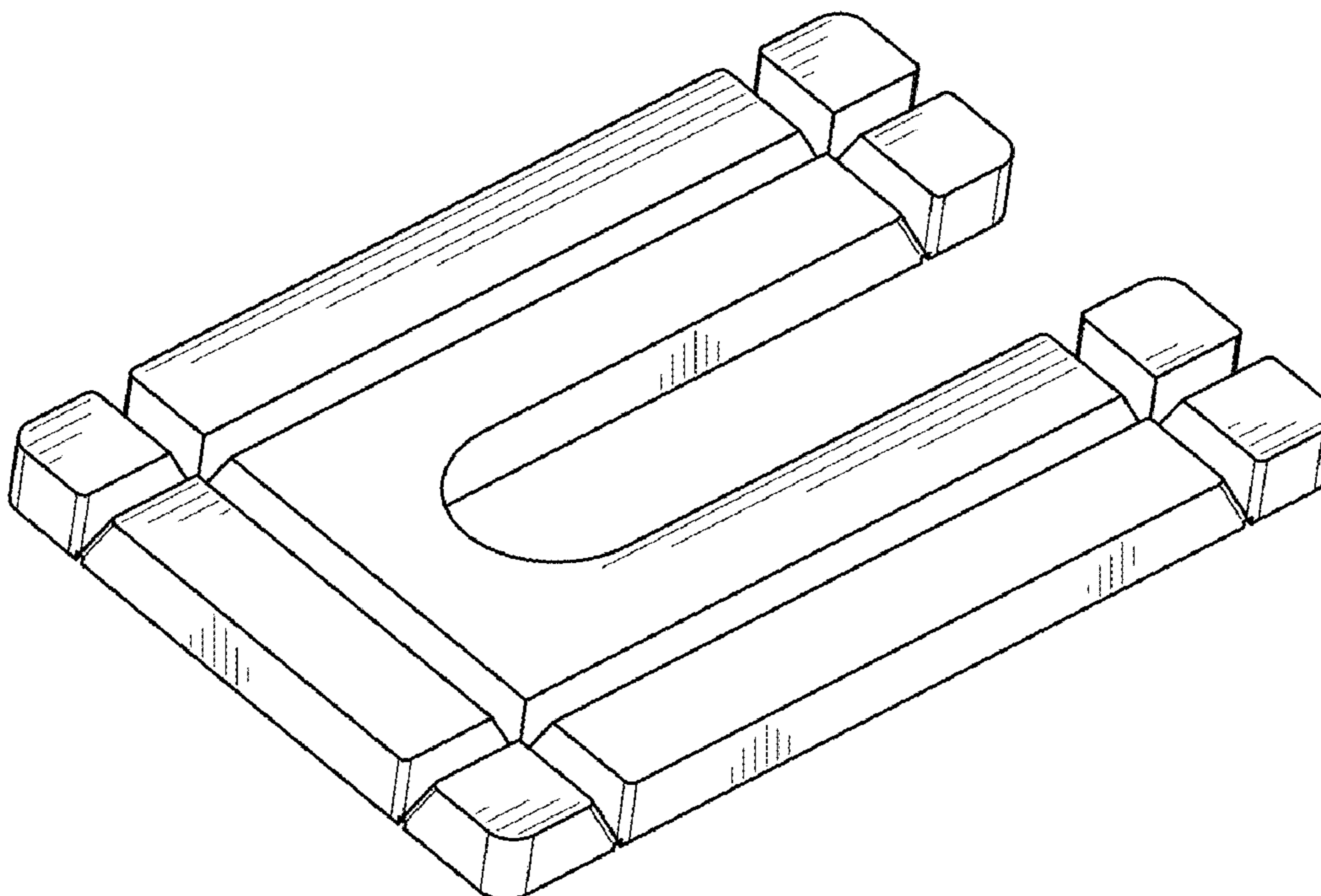
(57) **CLAIM**

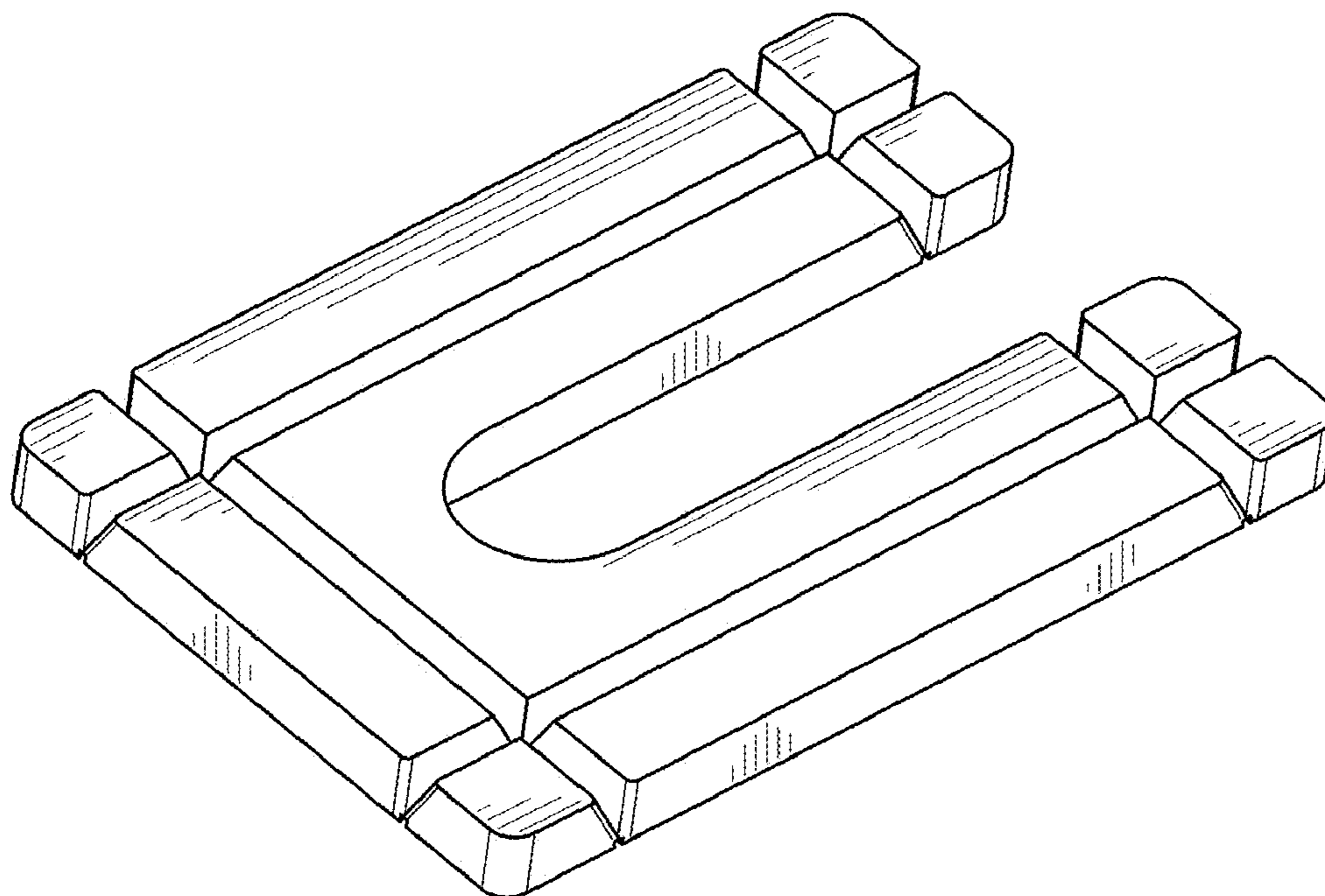
The ornamental design for a shim with frangible portions, as shown and described.

**DESCRIPTION**

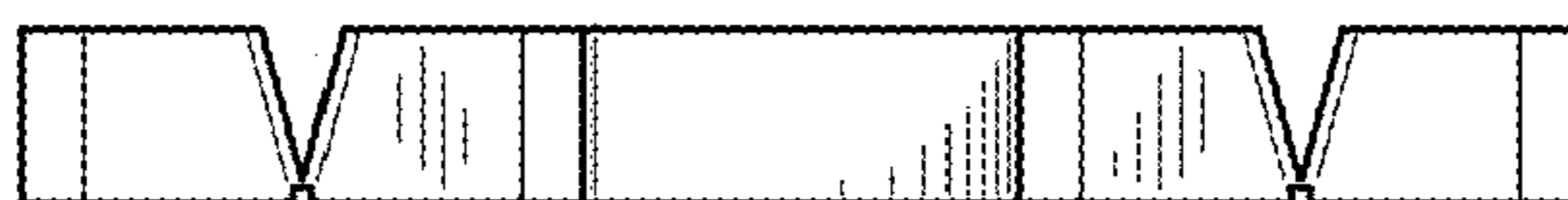
FIG. 1 is a rear perspective view of a shim with frangible portions showing our new design;  
FIG. 2 is a front elevational view thereof;  
FIG. 3 is a left side elevational view thereof, the right side elevational view being a mirror image thereof;  
FIG. 4 is a top plan view thereof; and,  
FIG. 5 is a bottom plan view thereof.

**1 Claim, 2 Drawing Sheets**





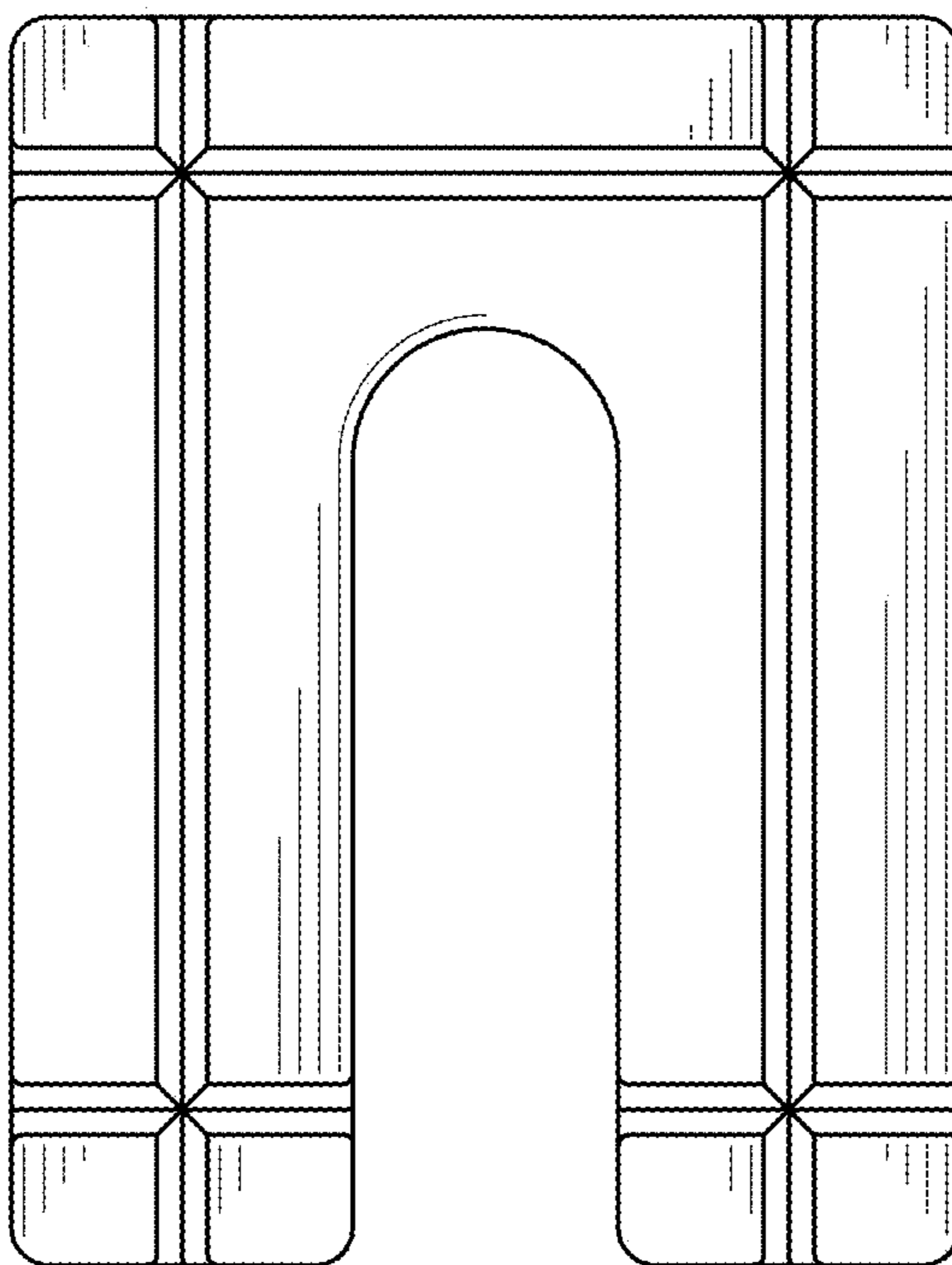
**FIG. 1**



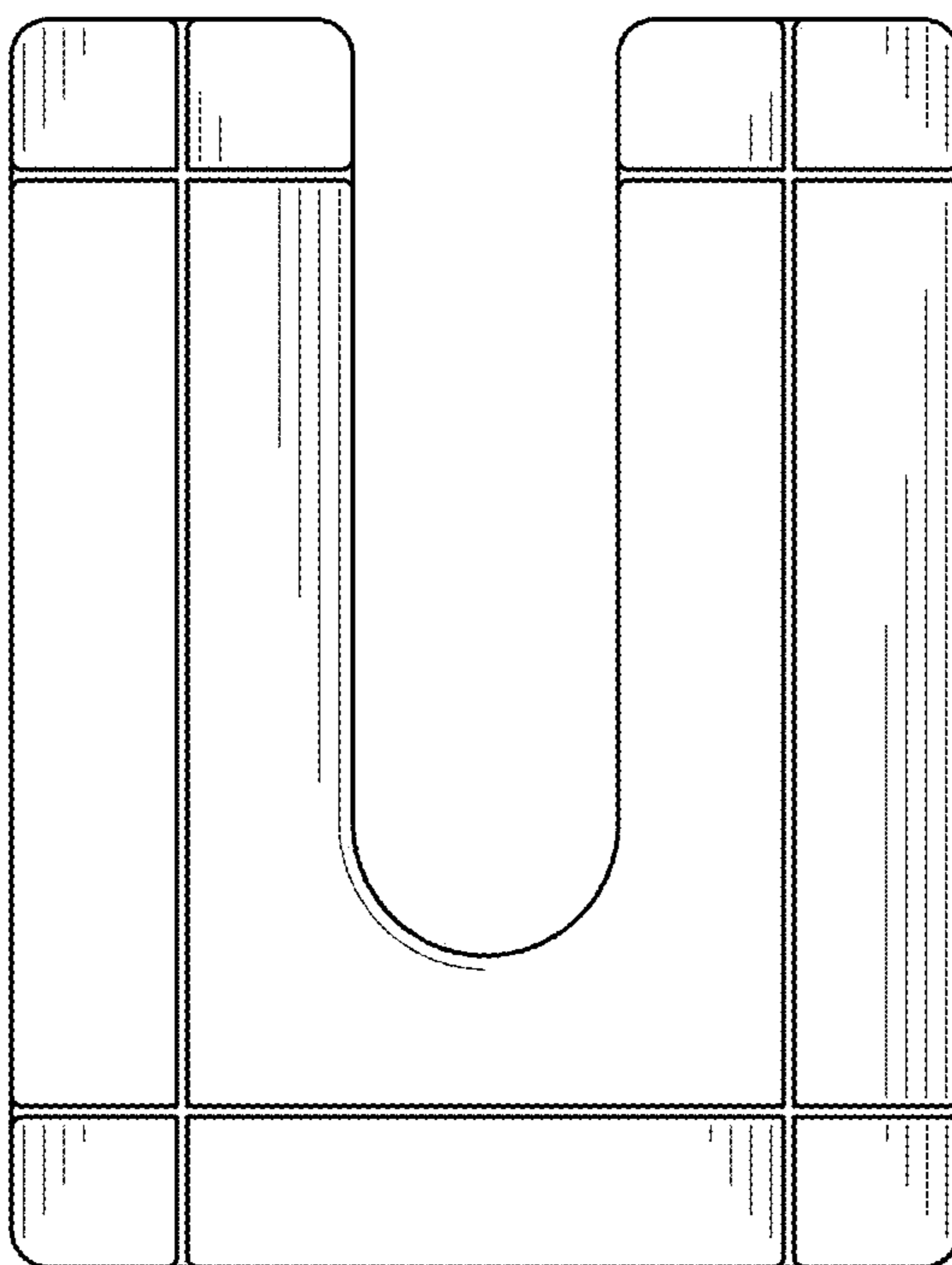
**FIG. 2**



**FIG. 3**



*FIG. 4*



*FIG. 5*