



US00D679172S

(12) **United States Design Patent**
Dixon

(10) **Patent No.:** **US D679,172 S**

(45) **Date of Patent:** **** Apr. 2, 2013**

(54) **THREE-WAY MOUNTING BRACKET FOR
RETAIL FIXTURES**

2005/0102944 A1* 5/2005 Hikai 52/511

* cited by examiner

(75) Inventor: **Joan Dixon**, Loves Park, IL (US)

Primary Examiner — Mark Goodwin

(73) Assignee: **Southern Imperial, Inc.**, Rockford, IL
(US)

(74) *Attorney, Agent, or Firm* — Reinhart Boerner Van
Deuren P.C.

(**) Term: **14 Years**

(57) **CLAIM**

I claim the ornamental design for the three-way mounting
bracket for retail fixtures, as shown and described.

(21) Appl. No.: **29/393,972**

DESCRIPTION

(22) Filed: **Jun. 10, 2011**

(51) **LOC (9) Cl.** **08-05**

(52) **U.S. Cl.** **D8/354**

(58) **Field of Classification Search** D8/354,
D8/349, 382, 394, 395, 356, 380, 371, 366;
248/300, 316.1; 403/381, 14; 52/238.1,
52/243.1, 394, 395, 578, 579, 584.1, 589.1
See application file for complete search history.

FIG. 1 is a perspective view of the three-way mounting
bracket for retail fixtures installed on a peg-board style retail
surface;

FIG. 2 is a perspective view of the three-way mounting
bracket for retail fixtures installed on a slatwall style retail
surface;

FIG. 3 is a perspective view of the back of the three-way
mounting bracket for retail fixtures installed on a wire-grid
style retail surface;

FIG. 4 is a top view of the three-way mounting bracket for
retail fixtures;

FIG. 5 is a bottom view thereof;

FIG. 6 is a side view thereof;

FIG. 7 is a front view thereof;

FIG. 8 is a side view thereof showing the side opposite that
shown in FIG. 6; and,

FIG. 9 is a back view thereof.

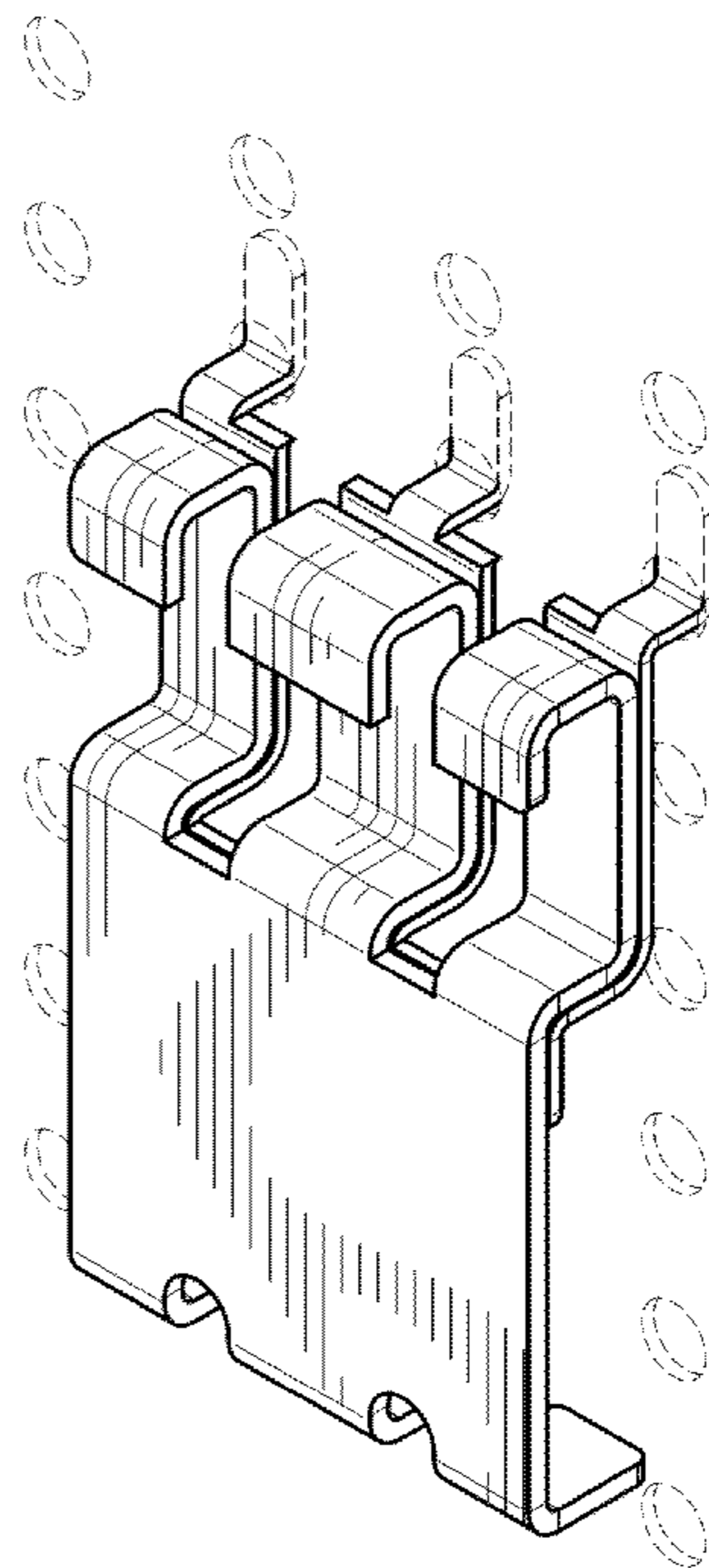
In FIGS. 1-3 and 5, dashed lines are used to illustrate com-
ponents or devices designed to be used in conjunction with
the claimed invention but form no part thereof, or features of
the invention which are optional and form no part of the
claimed design.

(56) **References Cited**

U.S. PATENT DOCUMENTS

4,570,404	A *	2/1986	Knudson	52/520
6,315,489	B1 *	11/2001	Watanabe	403/381
6,402,419	B1 *	6/2002	Watanabe	403/381
D482,261	S *	11/2003	Kobayashi	D8/349
6,830,405	B2 *	12/2004	Watanabe	403/14
D591,585	S *	5/2009	Hikai	D8/382
D610,899	S *	3/2010	Hikai	D8/382
D620,784	S *	8/2010	Hikai	D8/382
D626,406	S *	11/2010	Tedesco et al.	D8/394
D626,407	S *	11/2010	Tedesco et al.	D8/394
2001/0045075	A1 *	11/2001	Watanabe	52/712
2002/0046536	A1 *	4/2002	Hotta	52/698

1 Claim, 3 Drawing Sheets



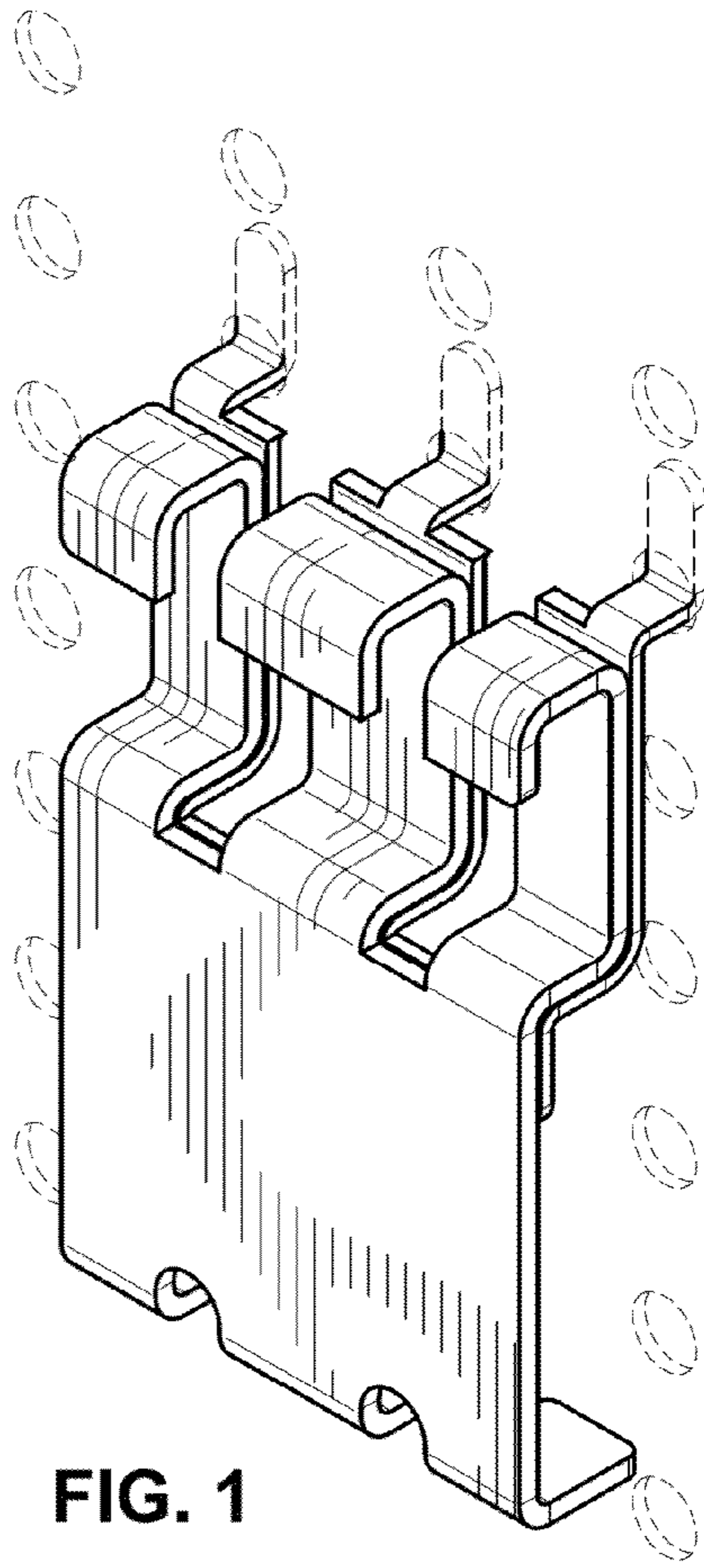


FIG. 1

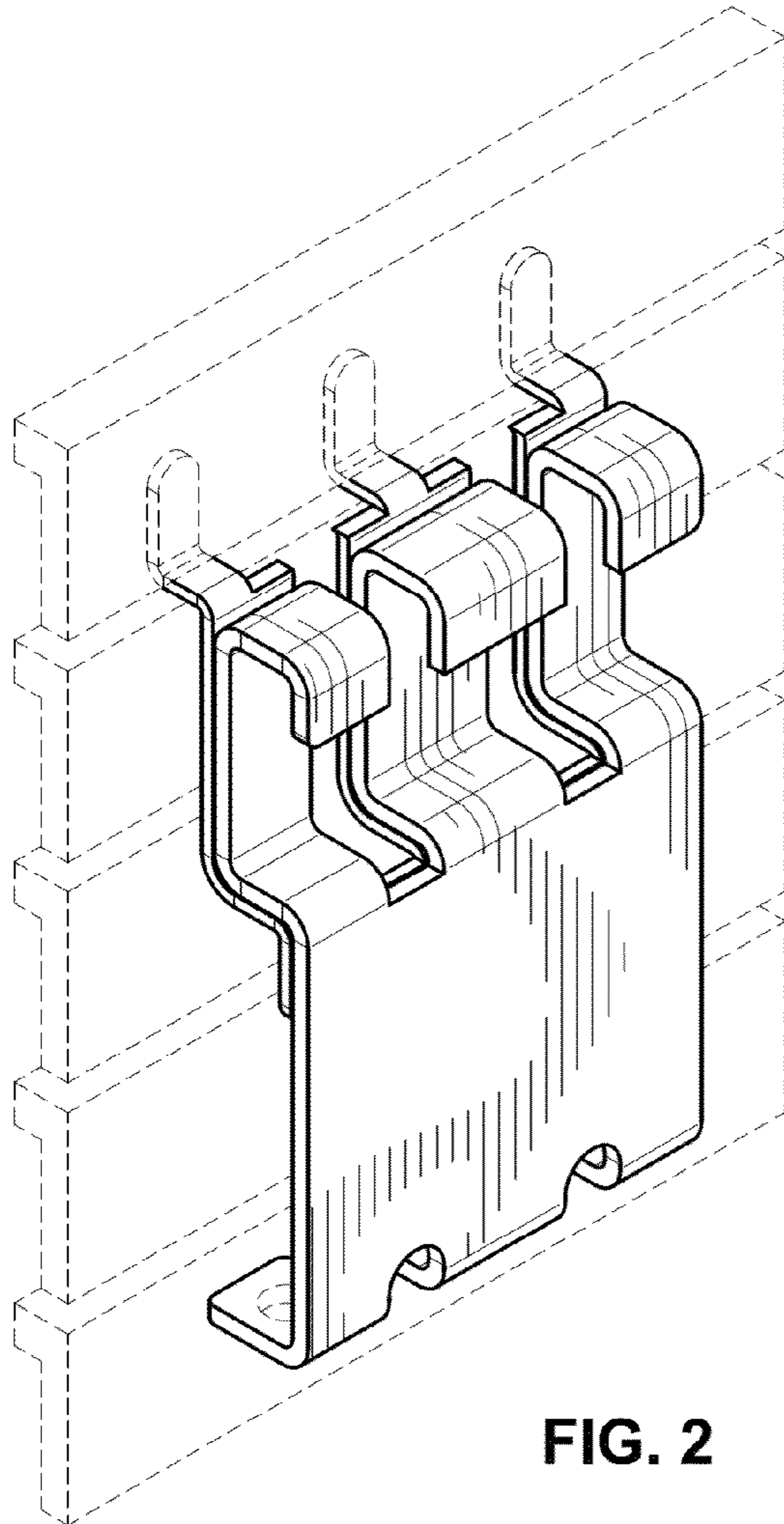


FIG. 2

FIG. 3

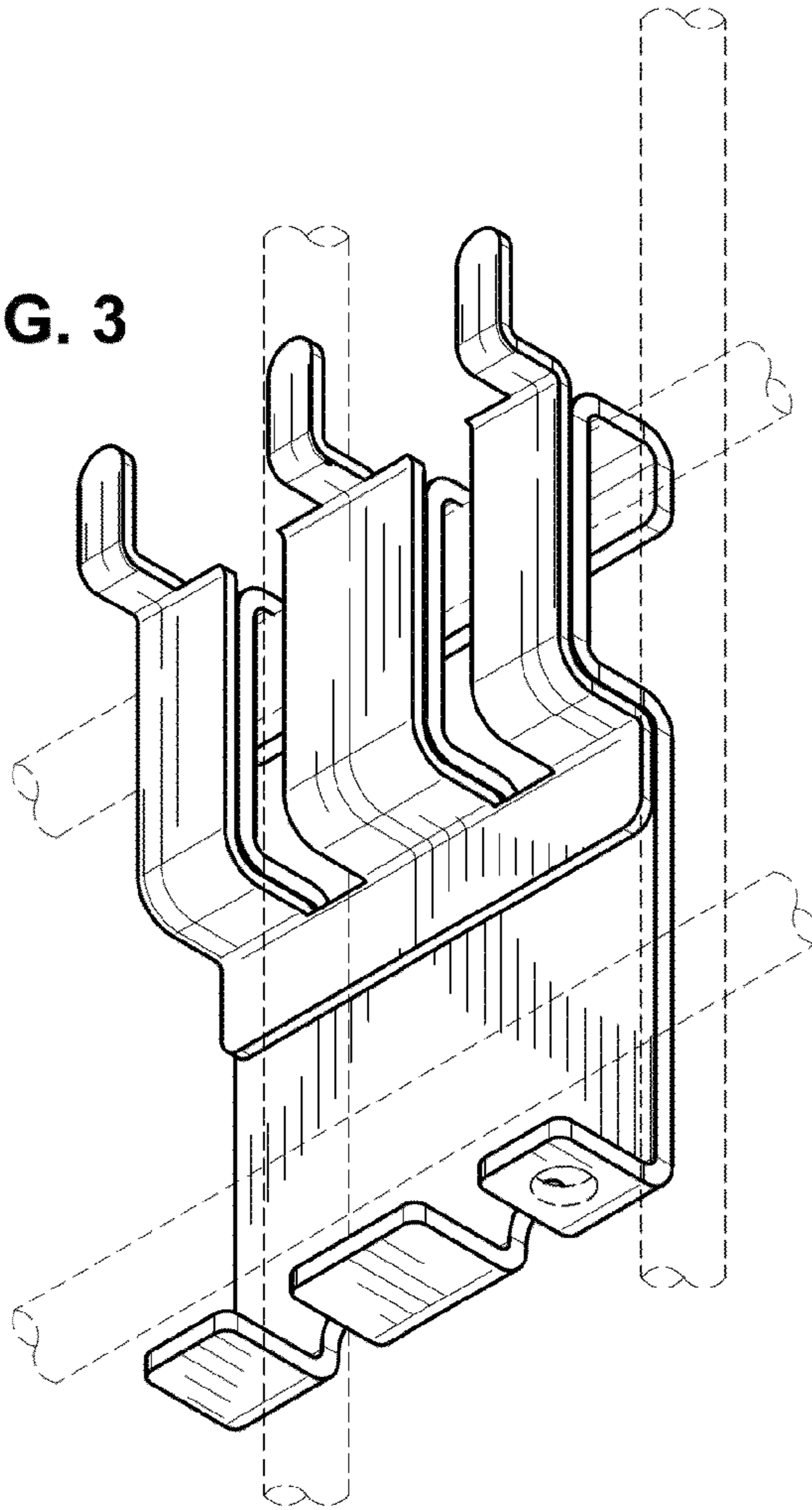


FIG. 4

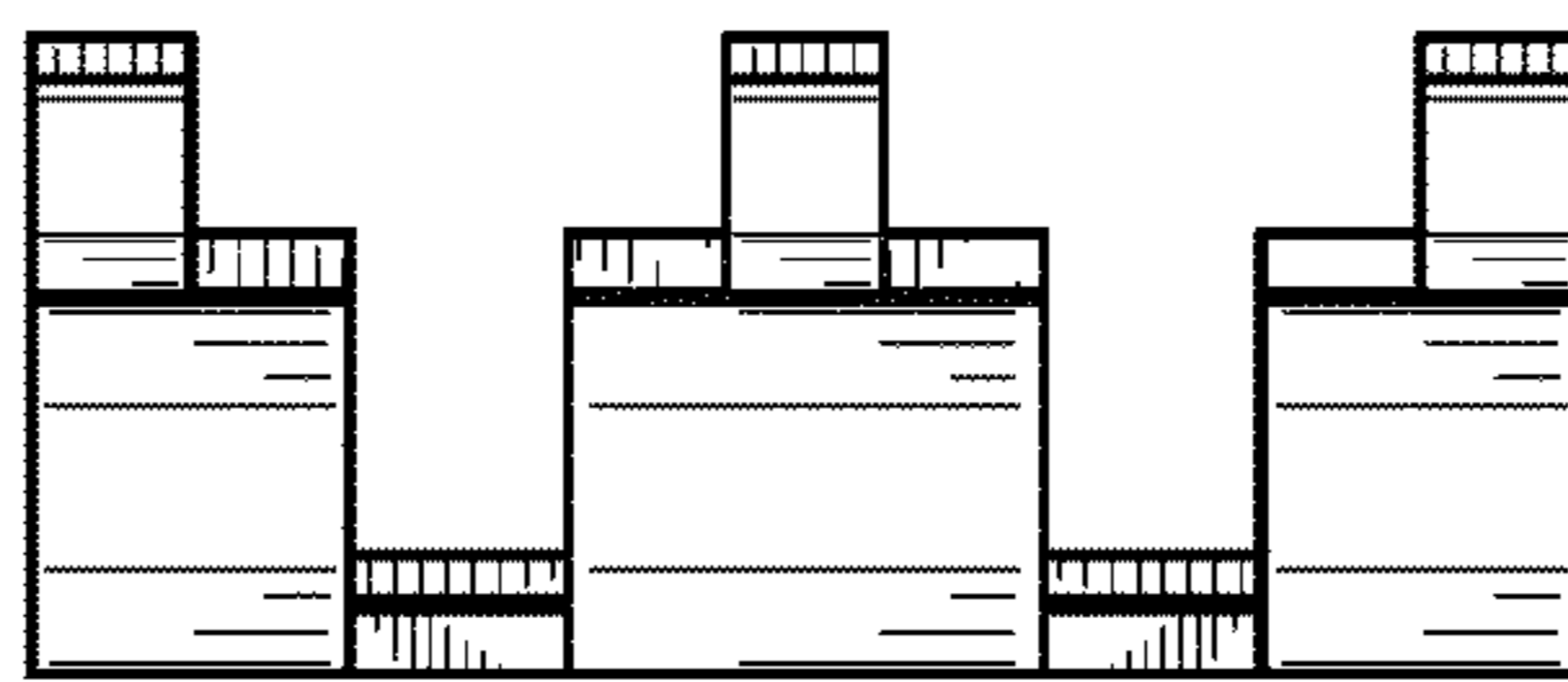
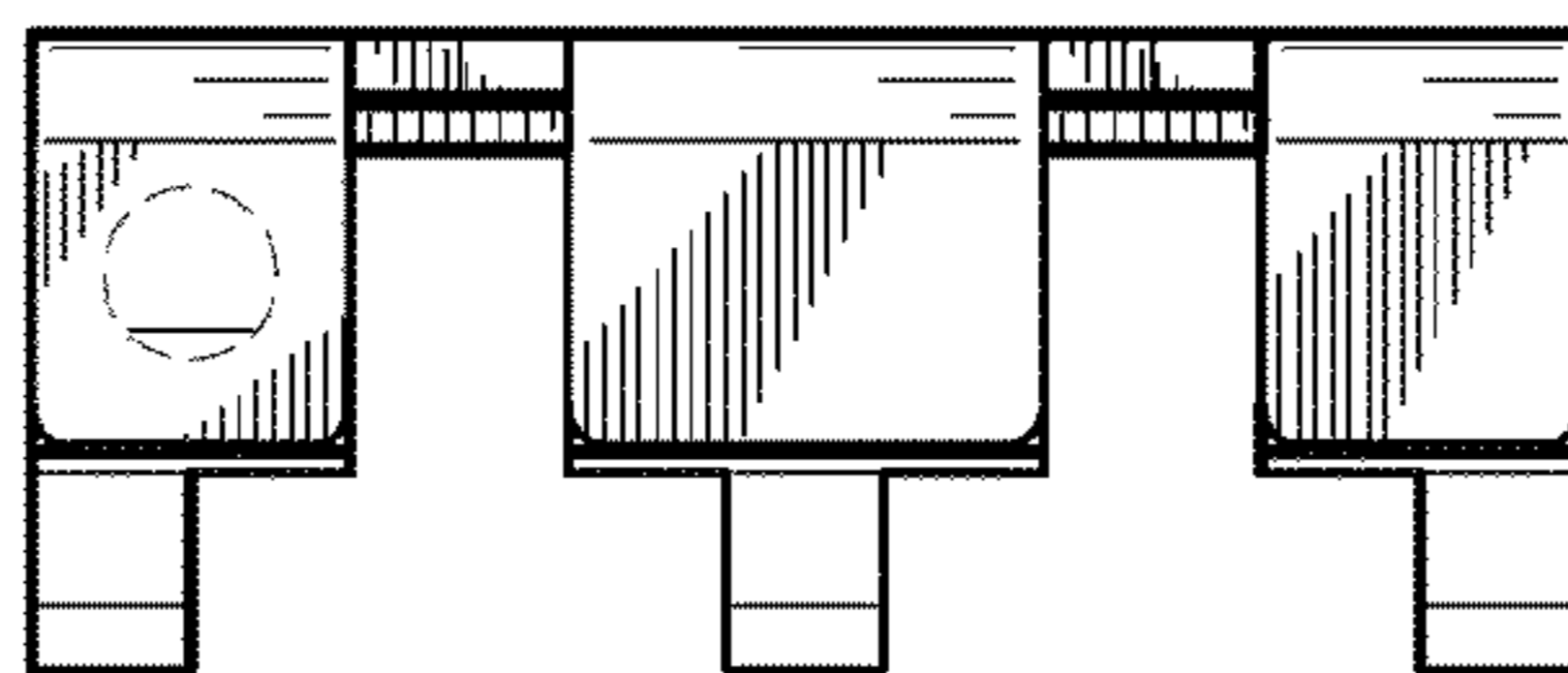


FIG. 5



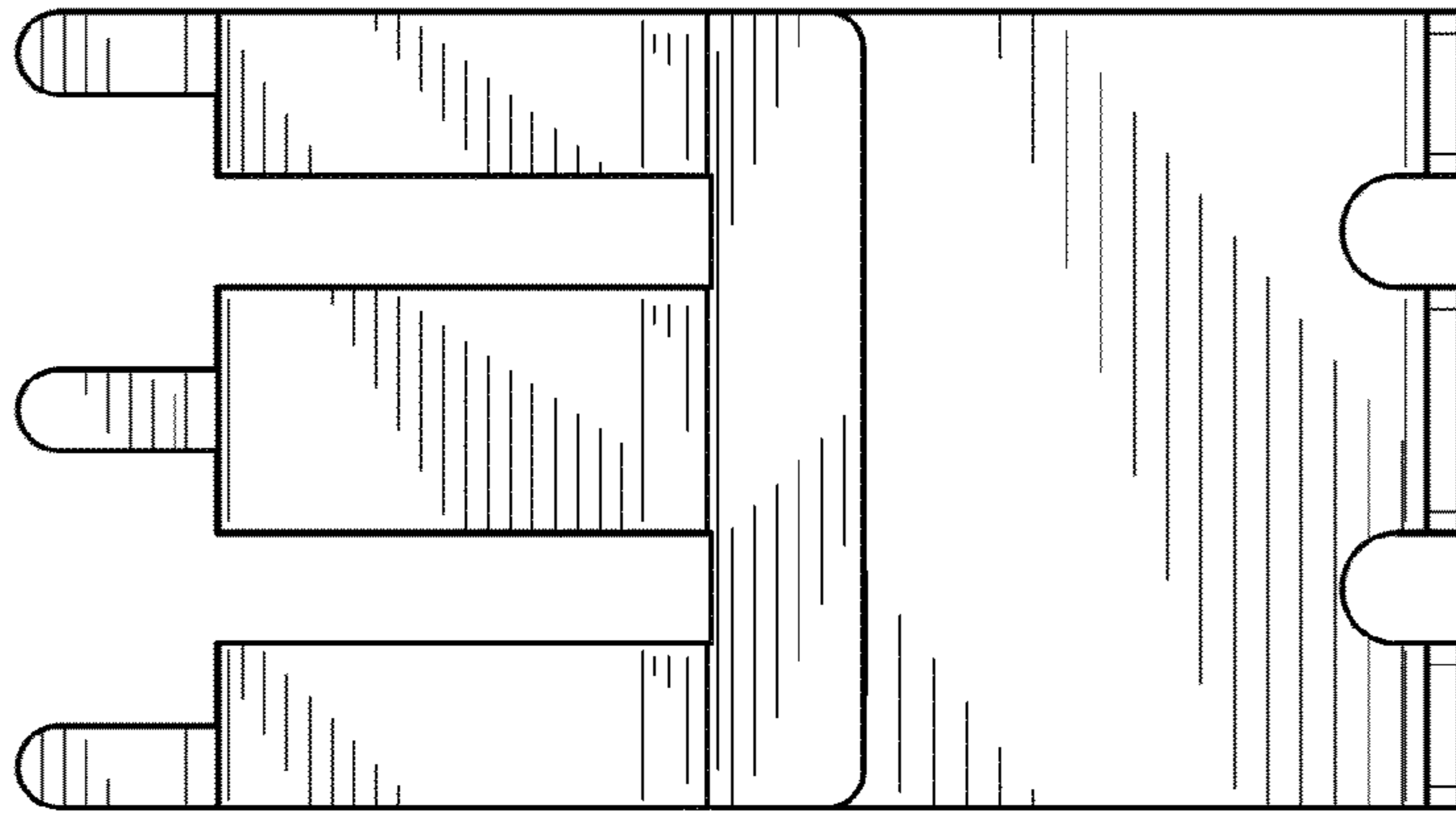


FIG. 9

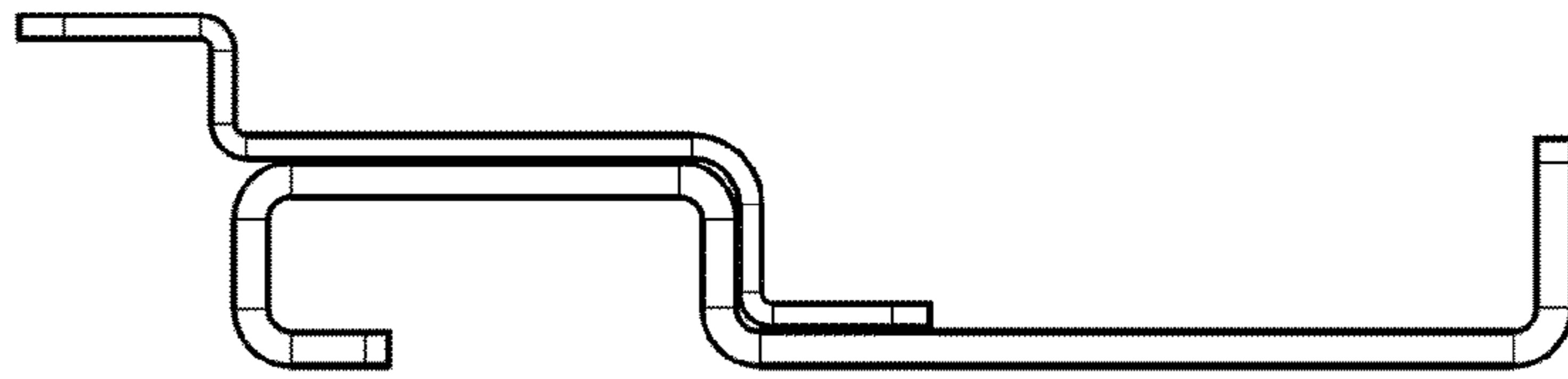


FIG. 8

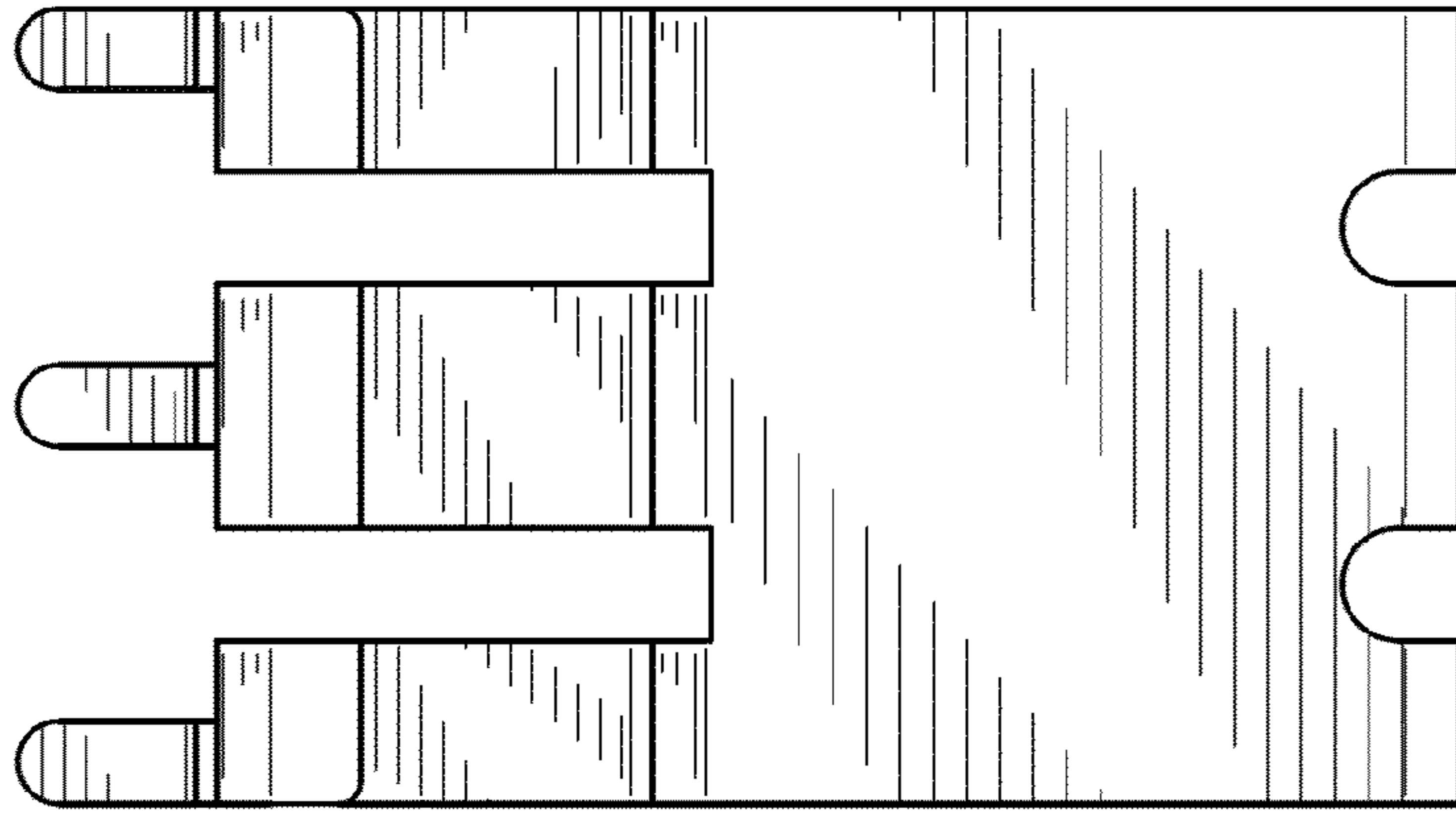


FIG. 7

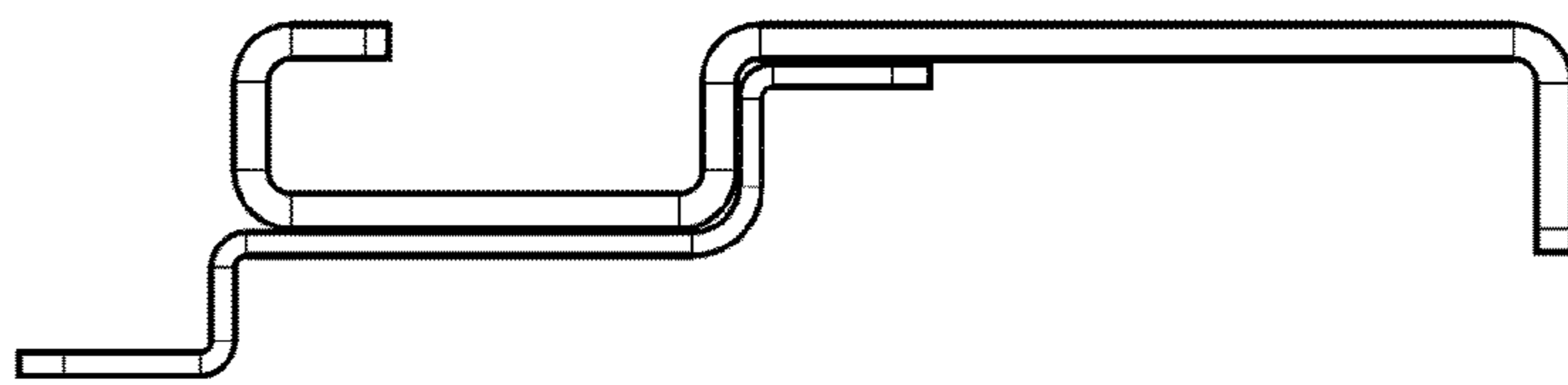


FIG. 6