



US00D679170S

(12) **United States Design Patent**
Else

(10) **Patent No.:** **US D679,170 S**
(45) **Date of Patent:** **** Apr. 2, 2013**

- (54) **CAMLOCK ASSEMBLY**
- (75) Inventor: **Robert Arthur Else**, Castle Donington (GB)
- (73) Assignee: **Terraplas PLC**, Castle Donington, Derby (GB)
- (**) Term: **14 Years**
- (21) Appl. No.: **29/393,460**
- (22) Filed: **Jun. 3, 2011**
- (51) **LOC (9) Cl.** **08-08**
- (52) **U.S. Cl.** **D8/349**
- (58) **Field of Classification Search** D8/354, D8/382, 383, 387, 394, 330, 400, 499; 292/153, 292/147, 218, 176; 361/726; 403/384, 350, 403/353, DIG. 11; 108/108, 152; 24/458, 24/297; 411/104, 175, 553, 45, 356-358, 411/49, 46-48, 349, 549-550, 551, 544-545, 411/54, 54.1, 352-353, 508, 512, 913, 44, 411/41, 108
See application file for complete search history.

D447,813	S	9/2001	Else	
6,398,473	B1 *	6/2002	Kraus	411/508
6,481,942	B2 *	11/2002	Tanaka	411/45
6,604,330	B2 *	8/2003	Repasky	52/263
6,662,508	B1	12/2003	Else	
6,694,783	B2 *	2/2004	Trempala	70/167
6,726,397	B2 *	4/2004	Kuehn et al.	403/367
6,769,724	B2 *	8/2004	Krispin	292/153
6,955,515	B2 *	10/2005	Barina et al.	411/508
7,207,758	B2 *	4/2007	Leon et al.	411/45
7,383,663	B2 *	6/2008	Pacione	52/120
7,412,806	B2 *	8/2008	Pacione et al.	52/506.05
7,637,687	B2 *	12/2009	Wagner	404/2
D609,552	S *	2/2010	Anderson et al.	D8/349
7,857,142	B2 *	12/2010	Waites, Jr.	209/405
7,918,059	B2 *	4/2011	Repasky	52/263
7,980,040	B2 *	7/2011	Pacione et al.	52/584.1
8,181,399	B2 *	5/2012	Knight et al.	52/126.6
D667,144	S *	9/2012	Else	D25/163
8,302,356	B2 *	11/2012	Knight et al.	52/263
2001/0036392	A1 *	11/2001	Reddicliffe	411/349
2004/0170491	A1 *	9/2004	Hulin et al.	411/553
2009/0313915	A1 *	12/2009	Kellner	52/105

* cited by examiner

Primary Examiner — Mark Goodwin

(74) *Attorney, Agent, or Firm* — Chernoff Vilhauer McClung & Stenzel LLP

(56) **References Cited**

U.S. PATENT DOCUMENTS

2,373,722	A *	4/1945	Von Opel	411/349
4,546,580	A *	10/1985	Ueno et al.	52/126.1
5,333,423	A *	8/1994	Propst	52/126.6
5,364,204	A	11/1994	MacLeod	
5,368,427	A *	11/1994	Pfaffinger	411/553
D364,179	S *	11/1995	Brush	D15/148
D376,753	S *	12/1996	Nakamura	D8/374
5,971,655	A *	10/1999	Shirakawa	404/40
6,004,065	A *	12/1999	Higdon et al.	403/384

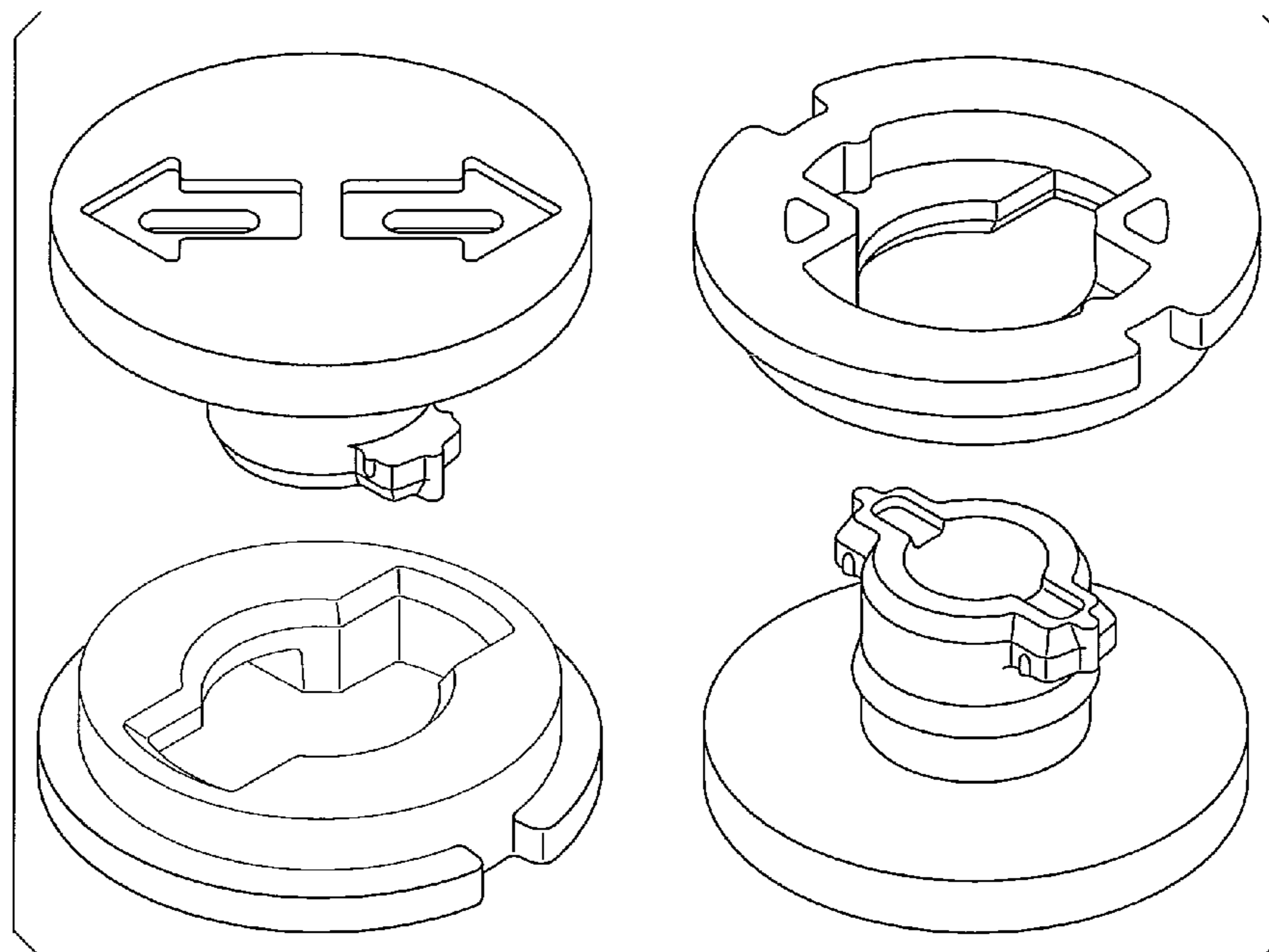
(57) **CLAIM**

The new and ornamental design for a camlock assembly, as shown and described.

DESCRIPTION

FIG. 1 is an exploded perspective view from above of a camlock assembly showing my new design; and, FIG. 2 is an exploded perspective view thereof from below.

1 Claim, 1 Drawing Sheet



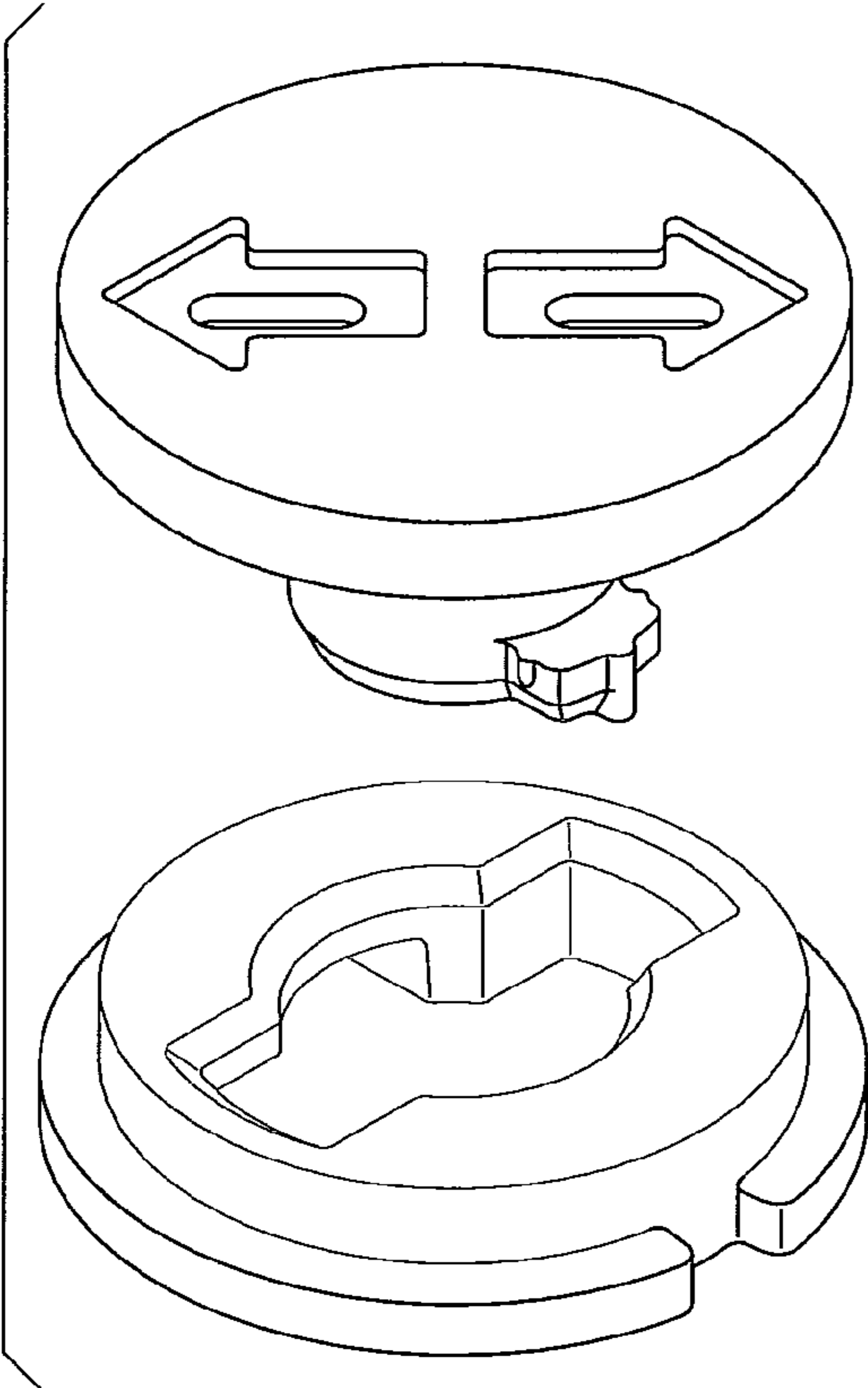


Fig. 1

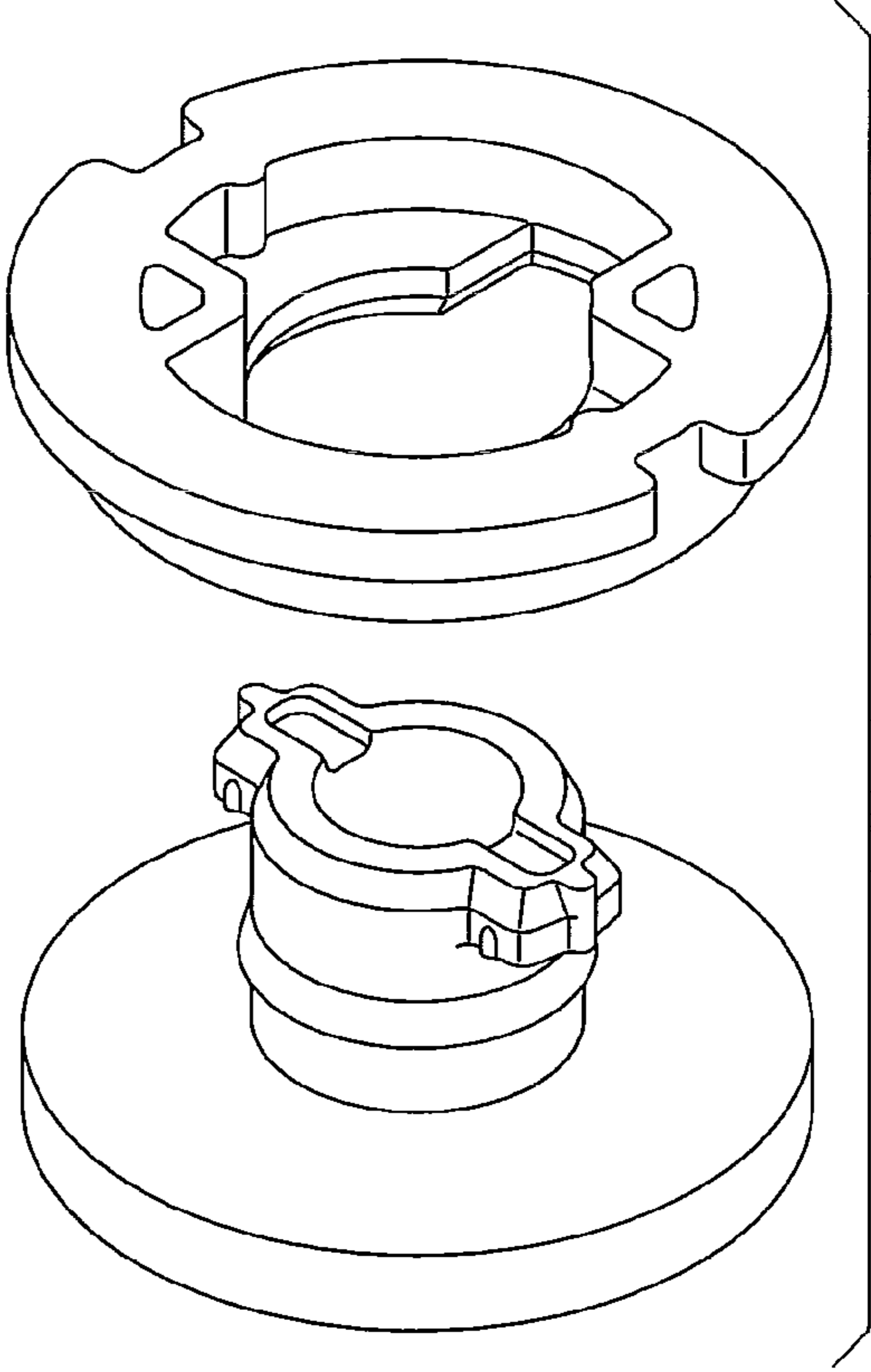


Fig. 2