



US00D679168S

(12) **United States Design Patent**  
**Stevens et al.**

(10) **Patent No.:** **US D679,168 S**  
(45) **Date of Patent:** **\*\* Apr. 2, 2013**

(54) **LOCK**

(75) Inventors: **Scott B. Stevens**, St. Francis, WI (US);  
**Douglas Lacina**, Franklin, WI (US);  
**Ray Wojtak**, Waterford, WI (US)

(73) Assignee: **Master Lock Company LLC**, Oak  
Creek, WI (US)

(\*\*) Term: **14 Years**

(21) Appl. No.: **29/407,004**

(22) Filed: **Nov. 22, 2011**

(51) **LOC (9) Cl.** ..... **08-07**

(52) **U.S. Cl.** ..... **D8/334**

(58) **Field of Classification Search** ..... D8/330,  
D8/331, 334, 333, 335, 339; 70/20, 24-29,  
70/31, 35, 38 R, 40-48, 14

See application file for complete search history.

(56) **References Cited**

**U.S. PATENT DOCUMENTS**

D95,463	S	*	4/1935	Soref et al.	.....	D8/334
2,378,768	A	*	6/1945	Heyer	.....	70/21
2,931,204	A	*	4/1960	Check	.....	70/21
4,055,972	A	*	11/1977	Calegan	.....	70/21
4,422,311	A	*	12/1983	Zabel et al.	.....	70/25
4,462,231	A	*	7/1984	Zabel	.....	70/21
D276,408	S	*	11/1984	Zabel et al.	.....	D8/334
D418,392	S	*	1/2000	Kelley	.....	D8/334
D459,971	S	*	7/2002	Quan et al.	.....	D8/343
D473,446	S	*	4/2003	Quan et al.	.....	D8/343
D507,474	S	*	7/2005	Welch	.....	D8/334
D606,494	S	*	12/2009	Holliday	.....	D13/133
D646,953	S	*	10/2011	Schmidt et al.	.....	
D662,394	S	*	6/2012	Schmidt et al.	.....	D8/334

**OTHER PUBLICATIONS**

Master Lock, Black Dial No. 1502: Printout of Product Features;  
printed from website Mar. 9, 2012; 2 pages.

Master Lock, Combination Padlocks—No. 1525; Printout of Product  
Features; printed from website Mar. 9, 2012, 2 pages.  
Dudley-School Series-DYRP300; printed from website Mar. 9, 2012,  
1 page.  
Dudley-DYMK300 and DYMK800MK Key Control Series; printed  
from website Mar. 9, 2012, 2 pages.  
Website printout from <http://wordlock.com/padlocks/>; 12 pages  
(2011).

\* cited by examiner

*Primary Examiner* — Prabhakar Deshmukh

(74) *Attorney, Agent, or Firm* — Calfee, Halter & Griswold  
LLP

(57) **CLAIM**

We claim the ornamental design for a lock, as shown and  
described.

**DESCRIPTION**

FIG. 1 is a front perspective view of a lock showing the new  
design;

FIG. 2 is a top view of the lock of FIG. 1;

FIG. 3 is a front view of the lock of FIG. 1;

FIG. 4 is a rear view of the lock of FIG. 1;

FIG. 5 is a bottom view of the lock of FIG. 1;

FIG. 6 is a right side view of the lock of FIG. 1;

FIG. 7 is a left side view of the lock of FIG. 1;

FIG. 8 is a front perspective view of another embodiment of  
a lock;

FIG. 9 is a top view of the lock of FIG. 8;

FIG. 10 is a front view of the lock of FIG. 8;

FIG. 11 is a rear view of the lock of FIG. 8;

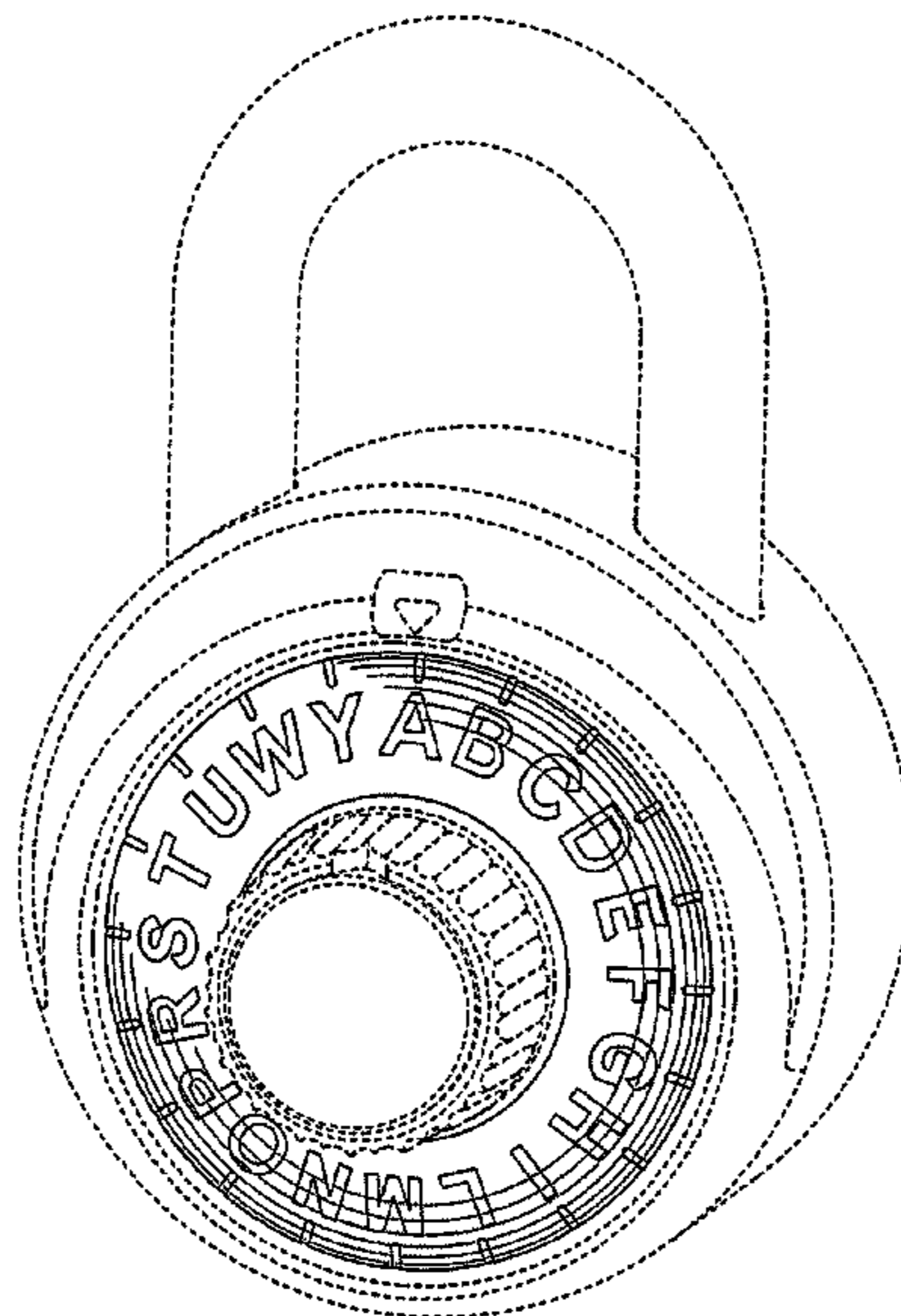
FIG. 12 is a bottom view of the lock of FIG. 8;

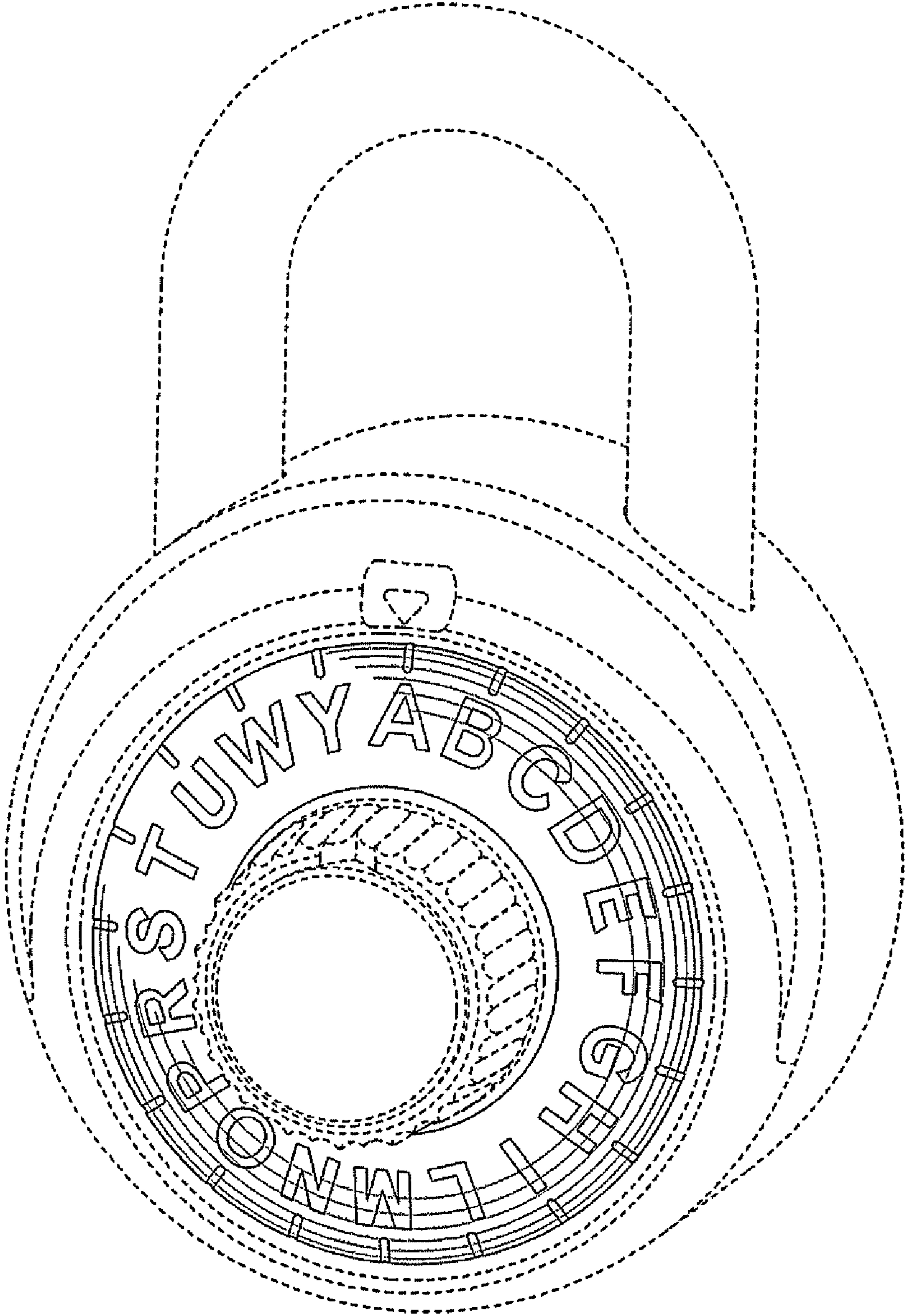
FIG. 13 is a right side view of the lock of FIG. 8; and,

FIG. 14 is a left side view of the lock of FIG. 8.

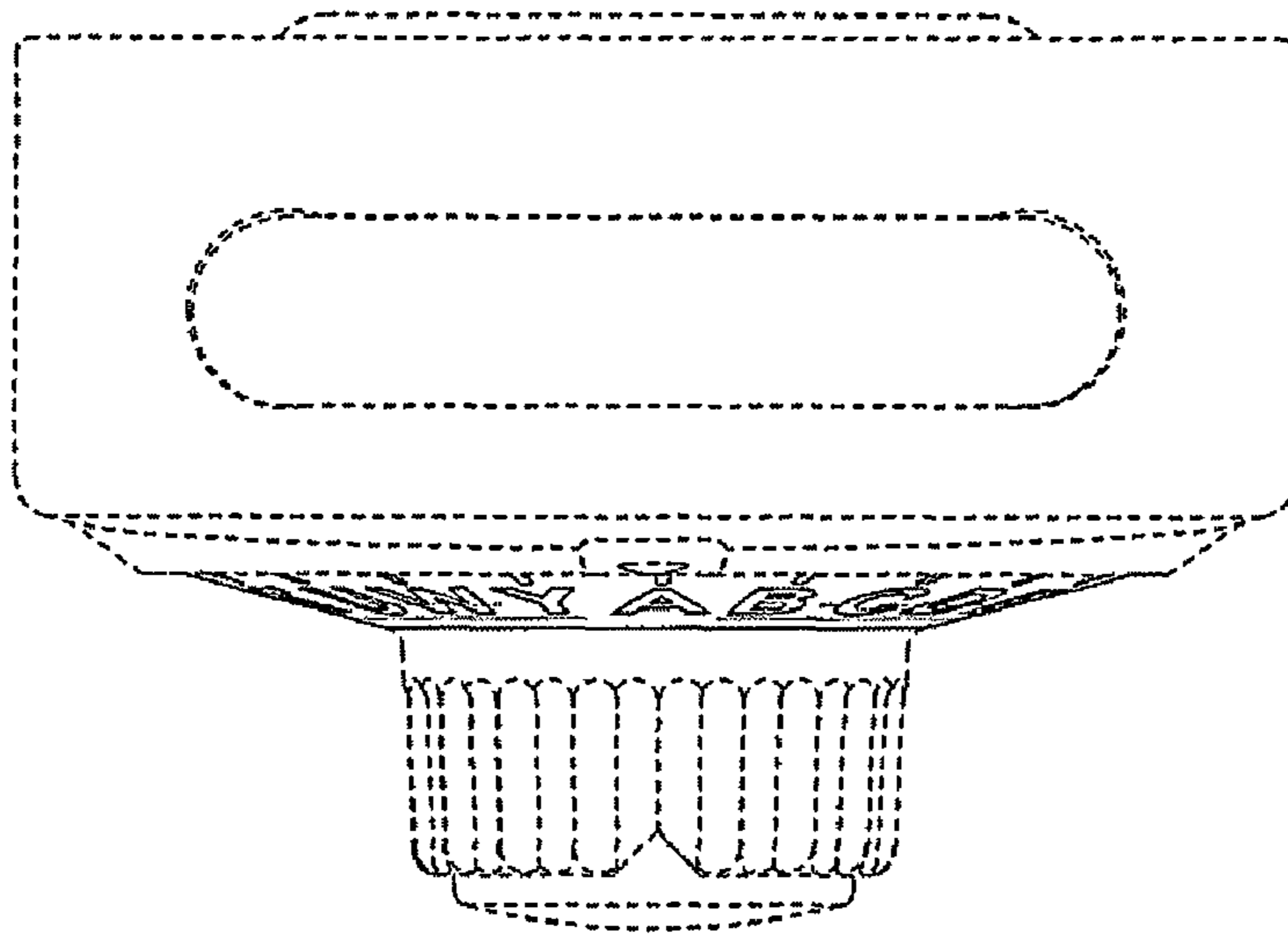
The portions of the Figures shown in phantom lines are for  
illustrative purpose only and form no part of the claimed  
design.

**1 Claim, 8 Drawing Sheets**

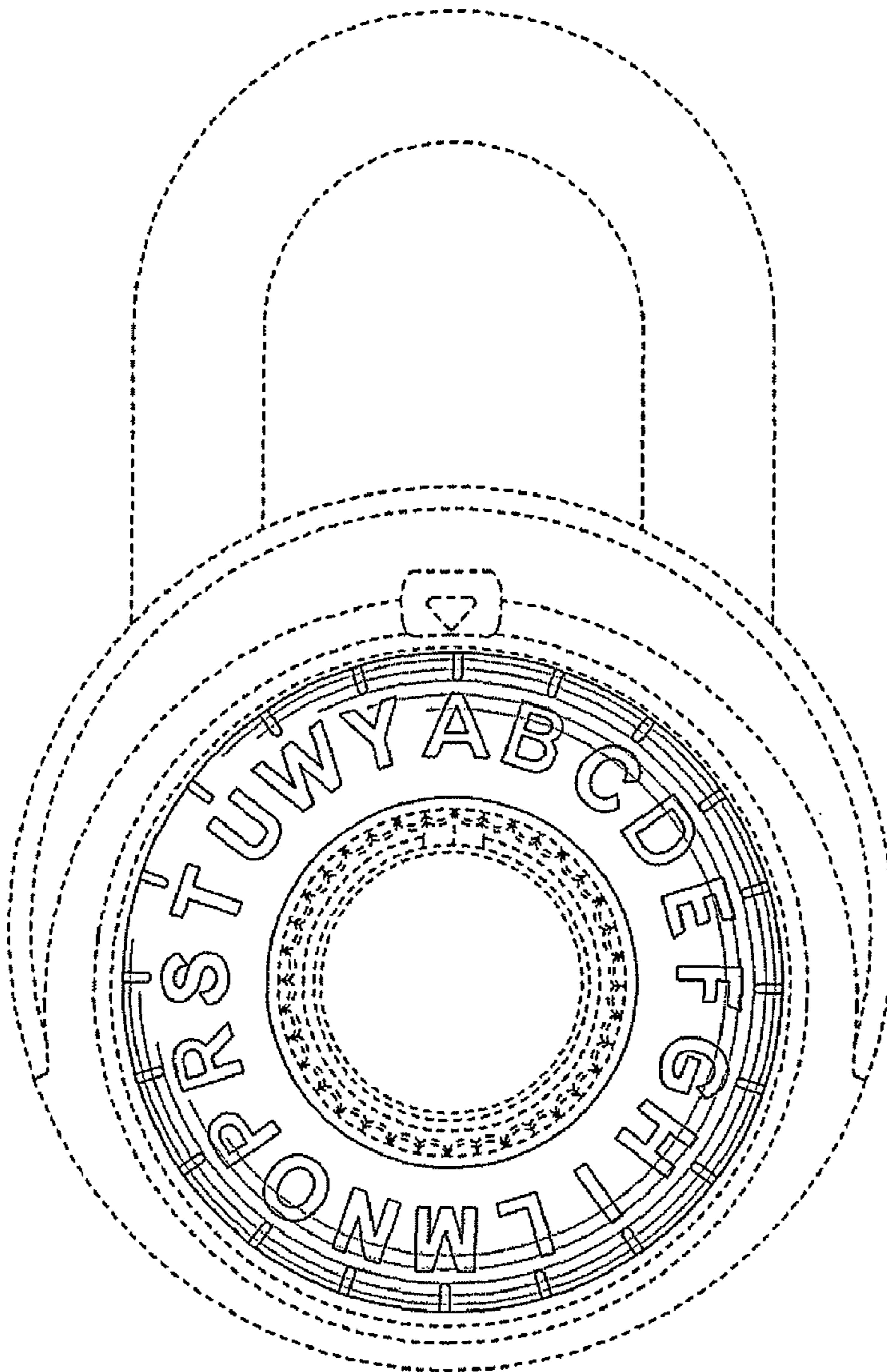




**FIG. 1**

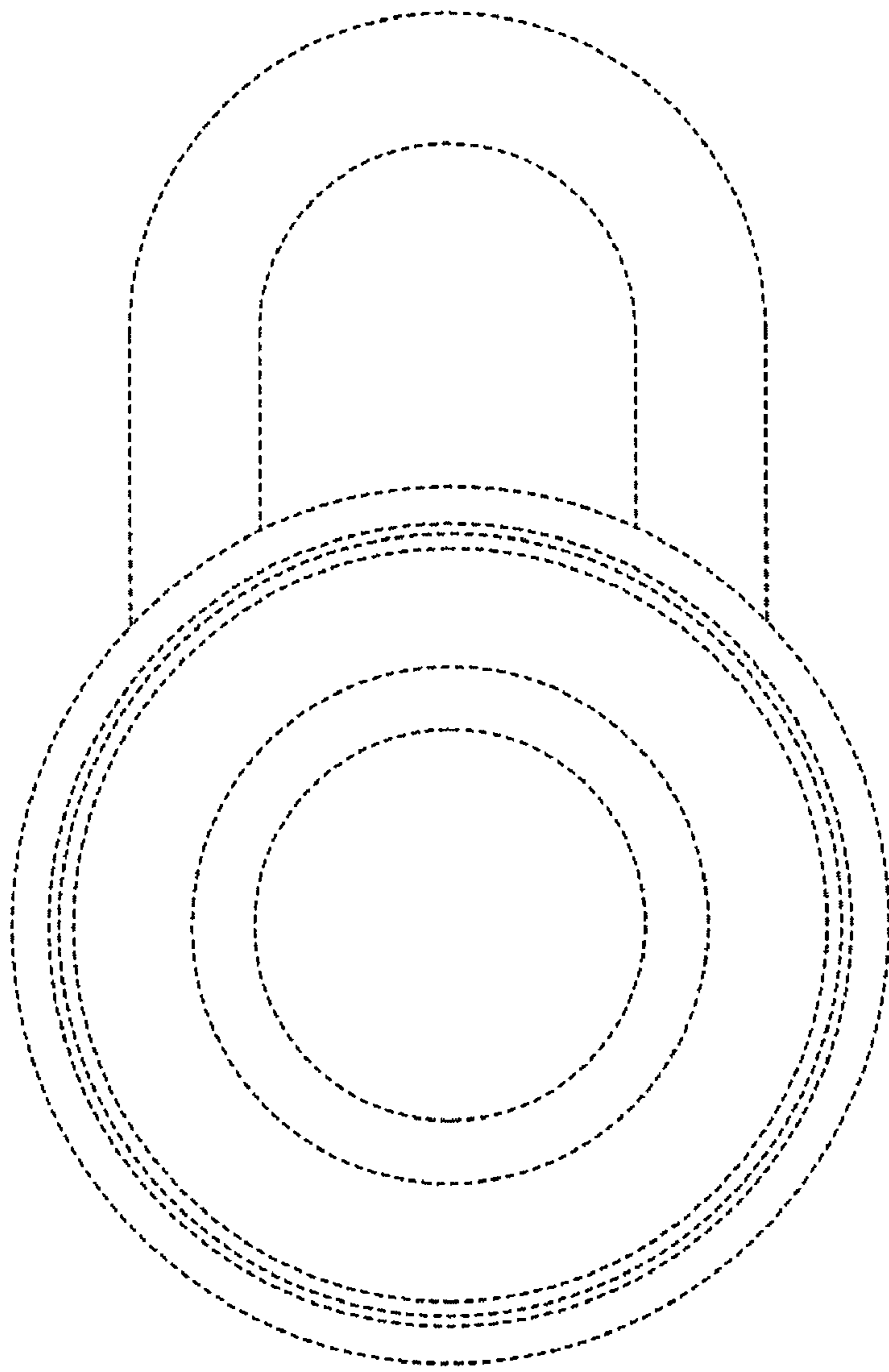


**FIG. 2**

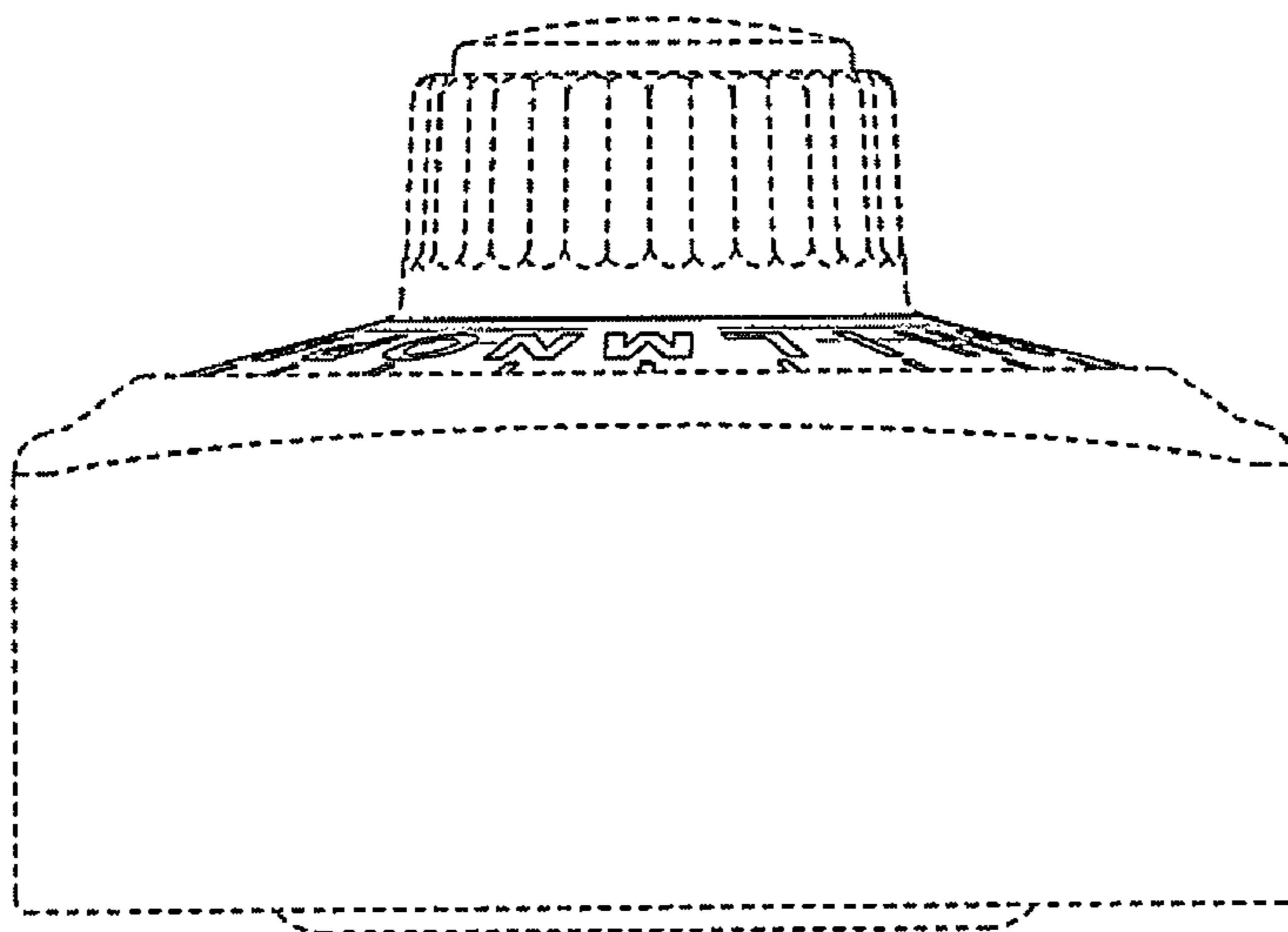


**FIG. 3**

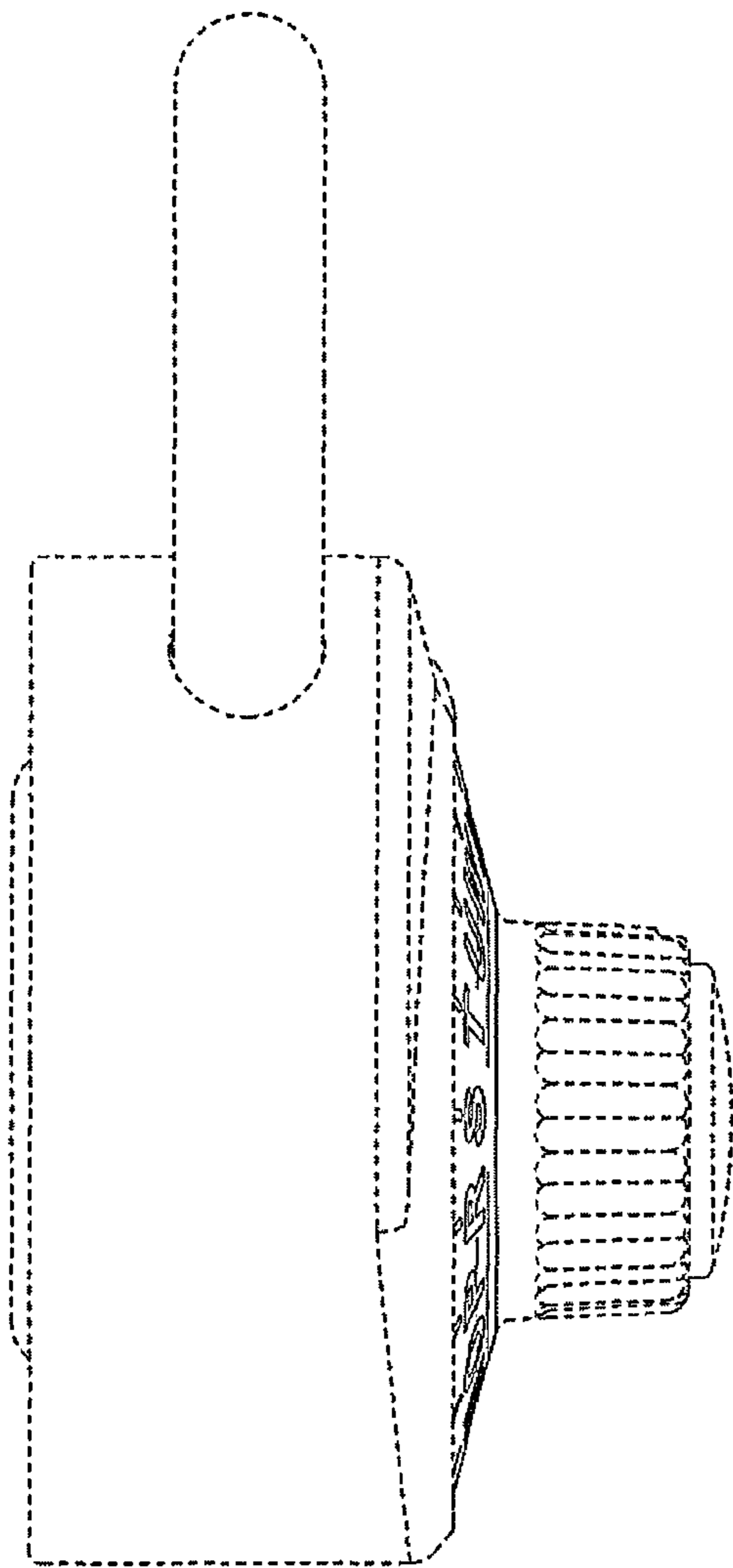




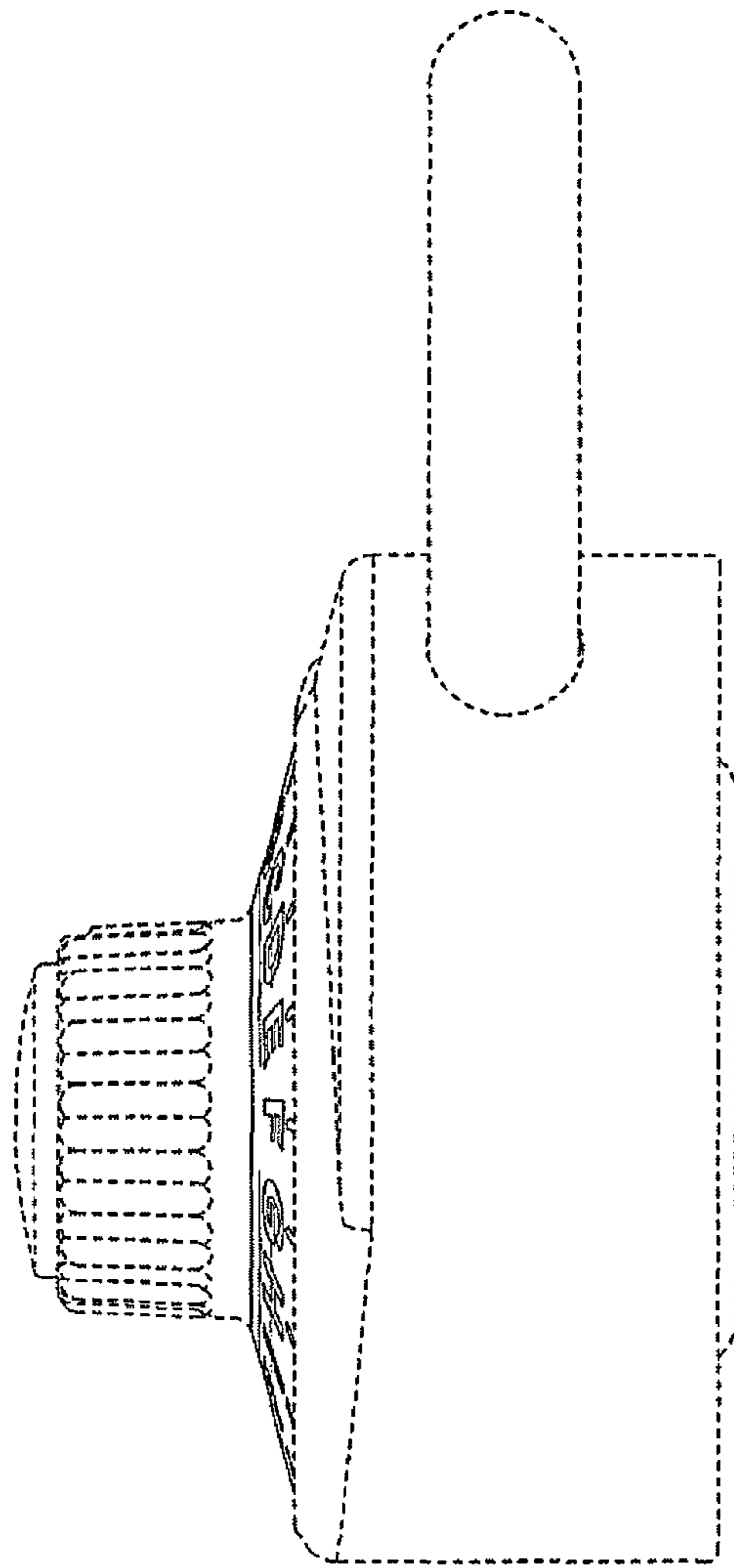
**FIG. 4**



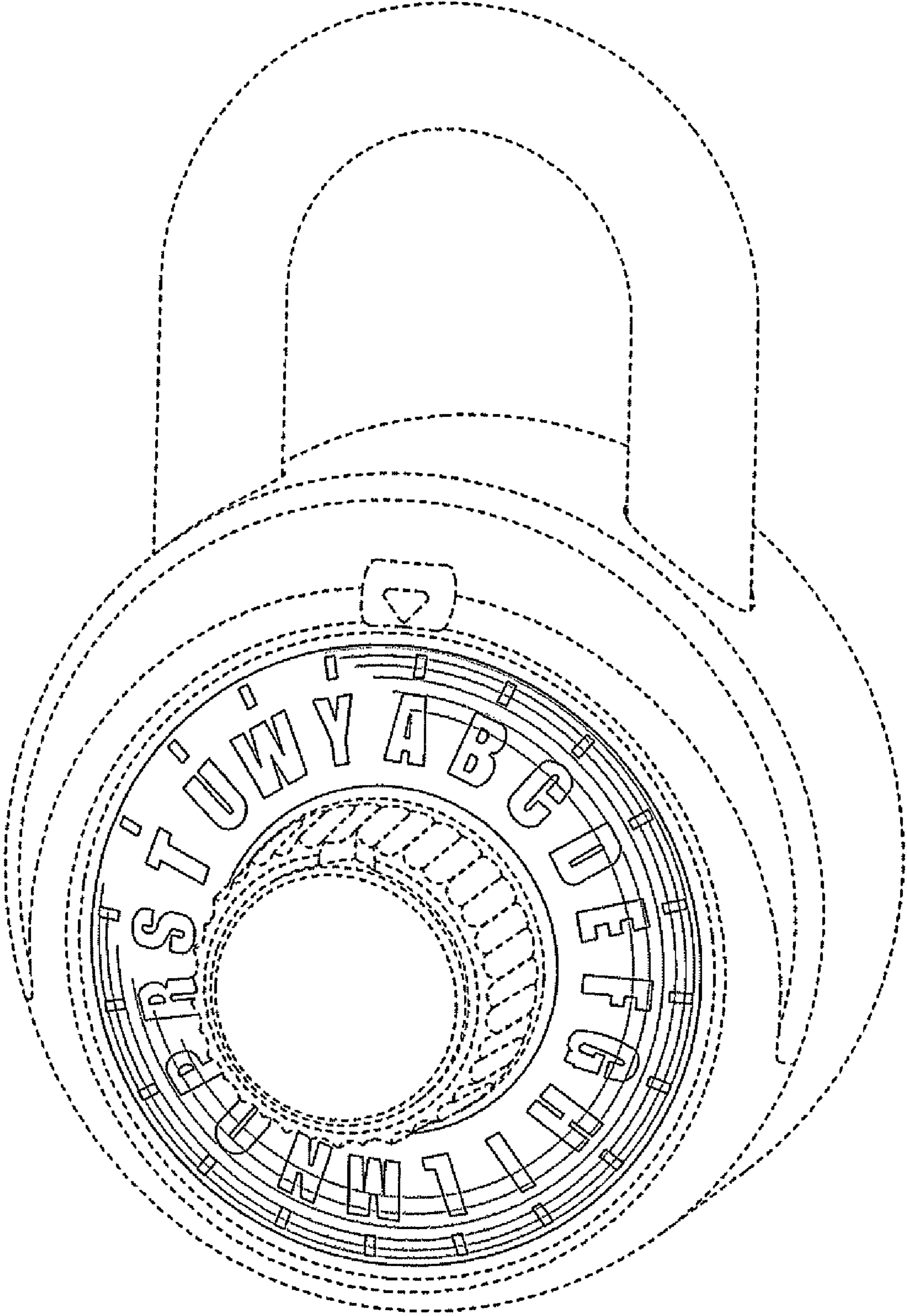
**FIG. 5**



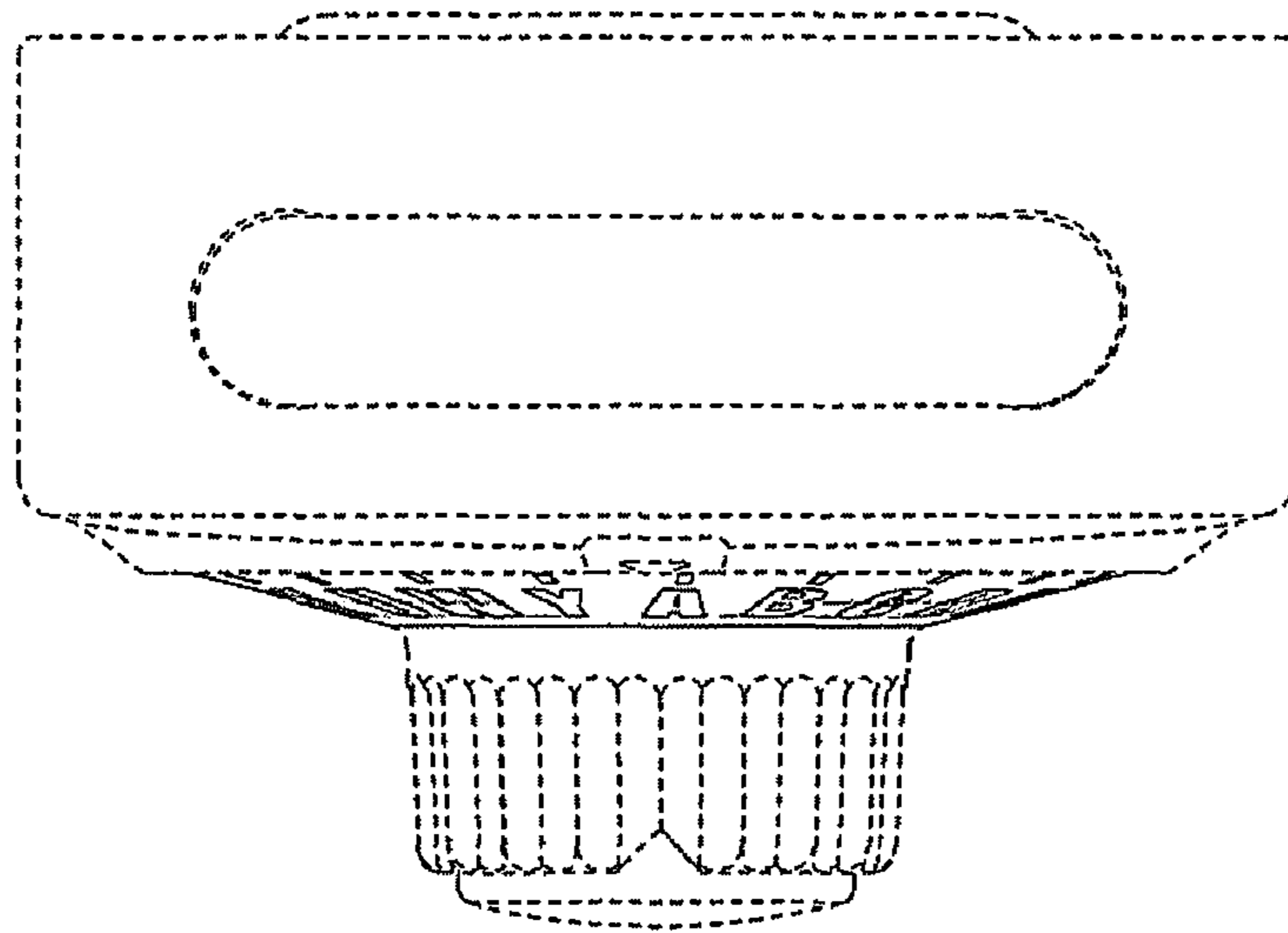
**FIG. 6**



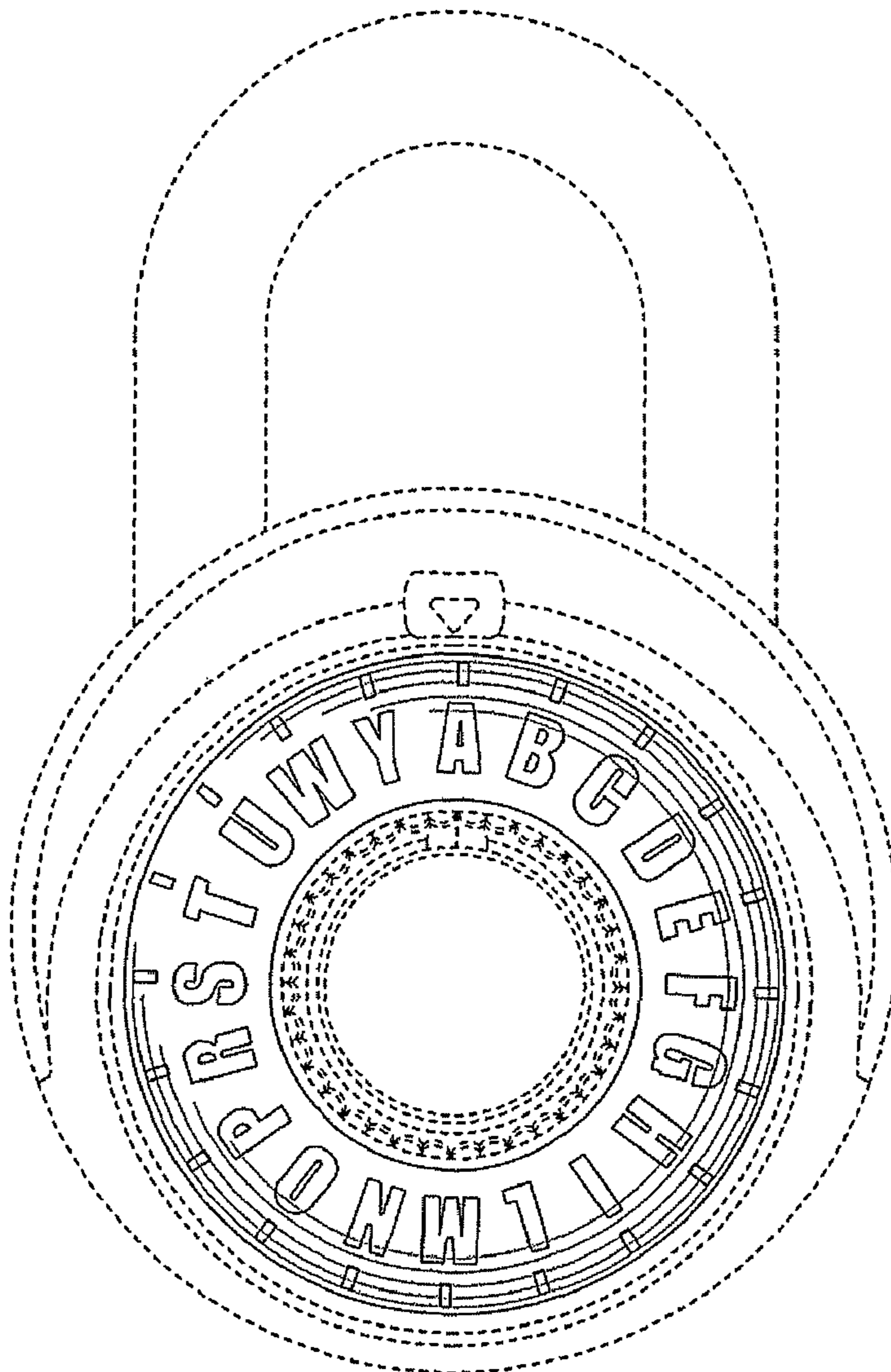
**FIG. 7**



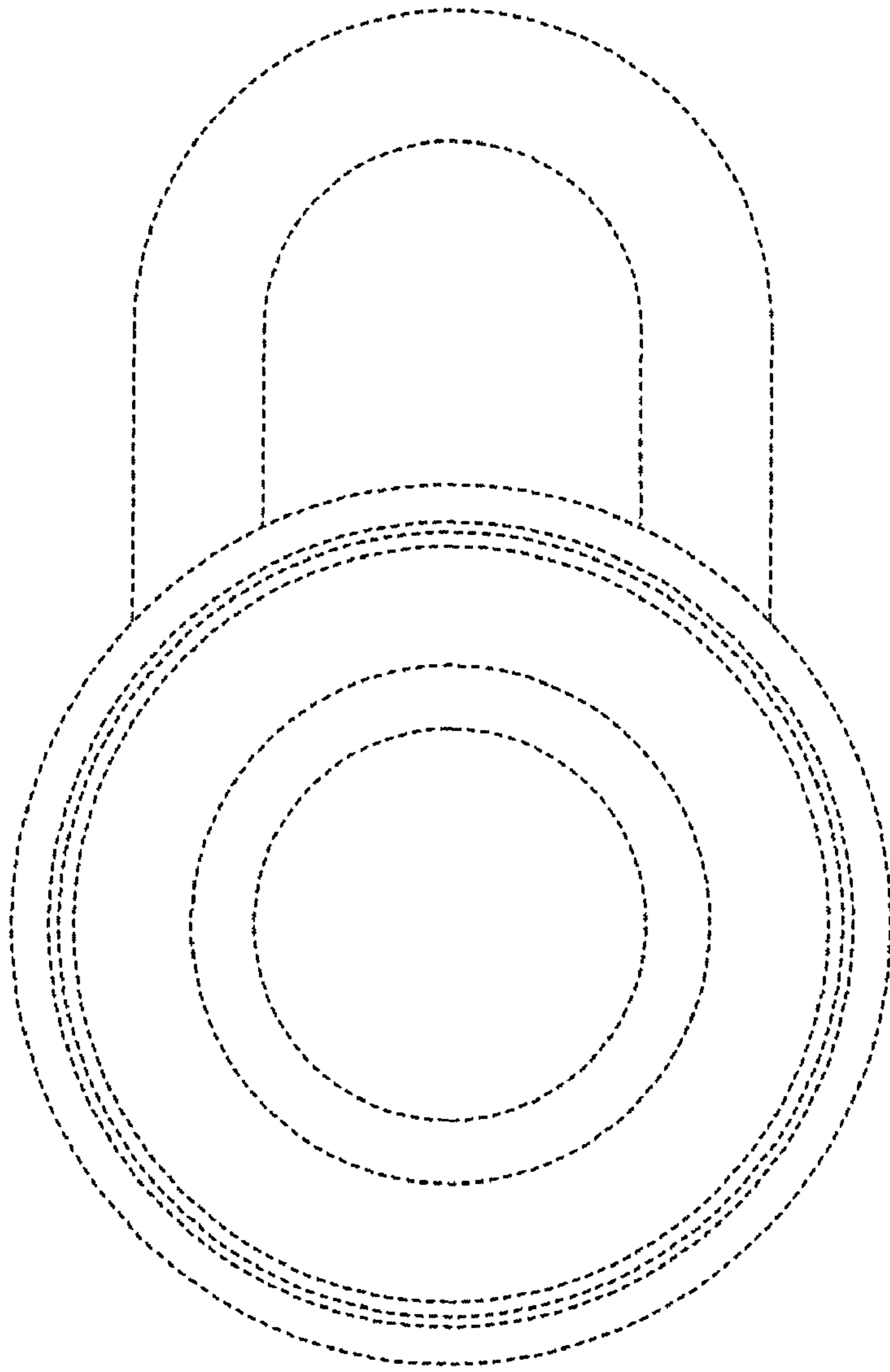
**FIG. 8**



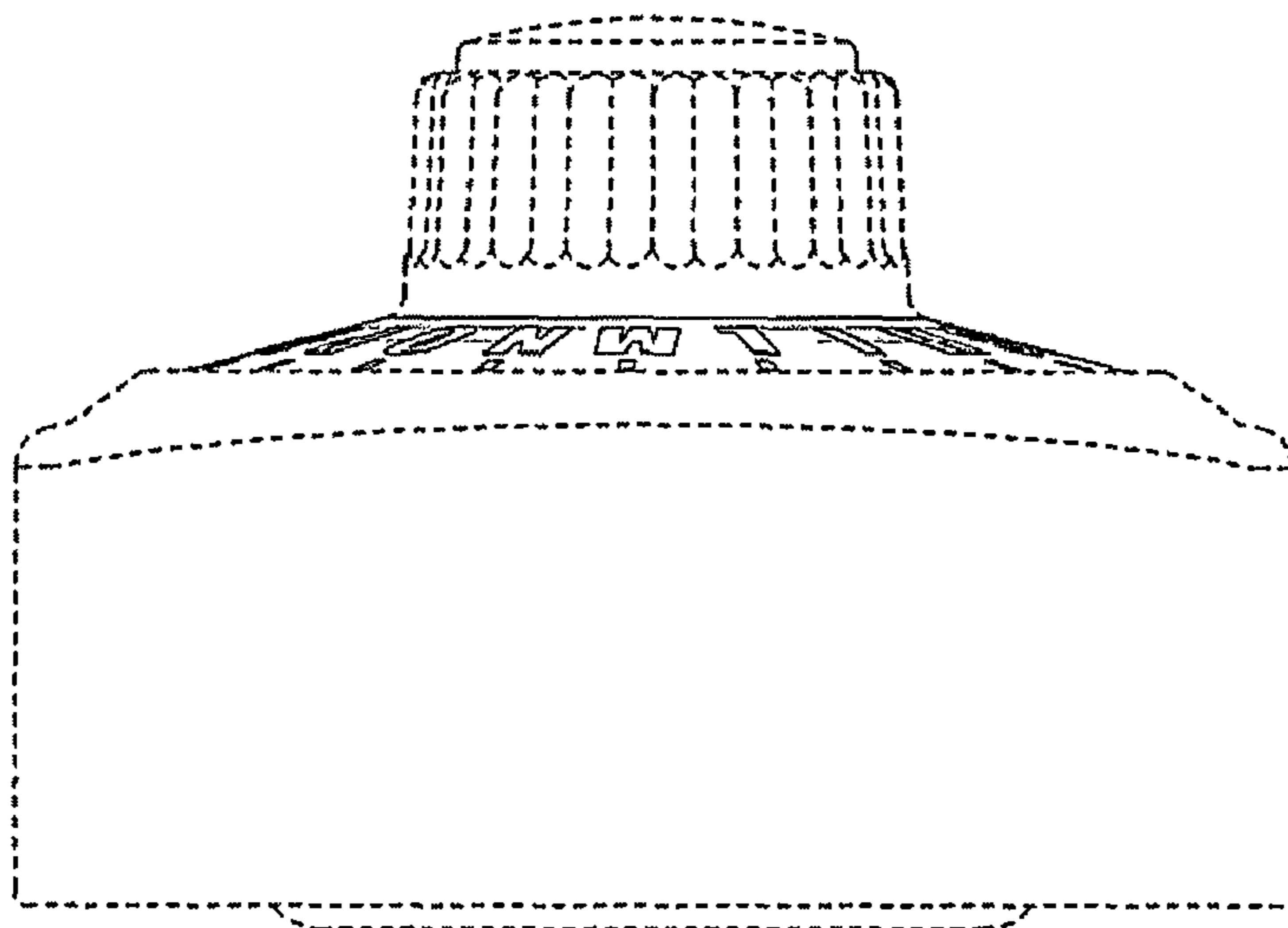
**FIG. 9**



**FIG. 10**

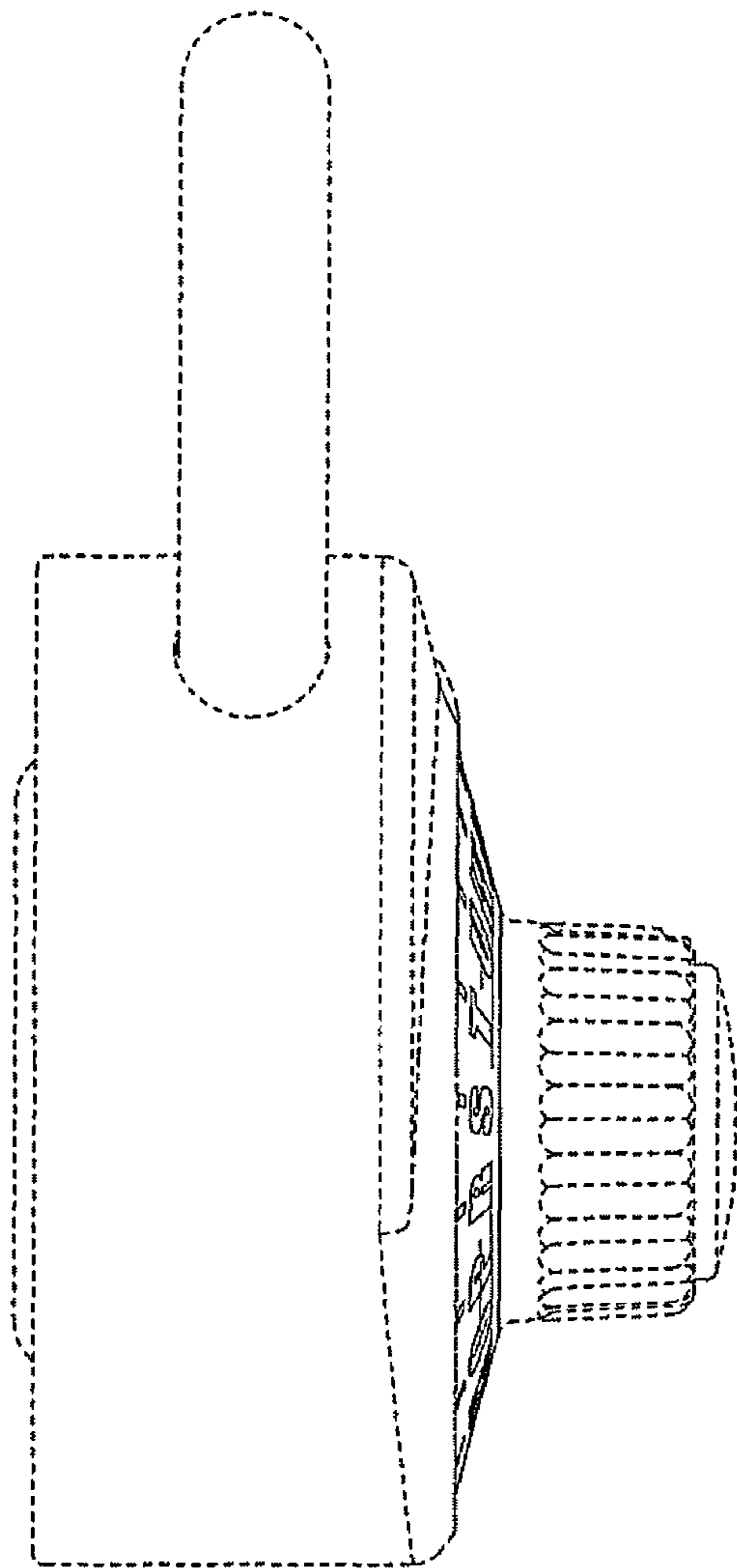


**FIG. 11**

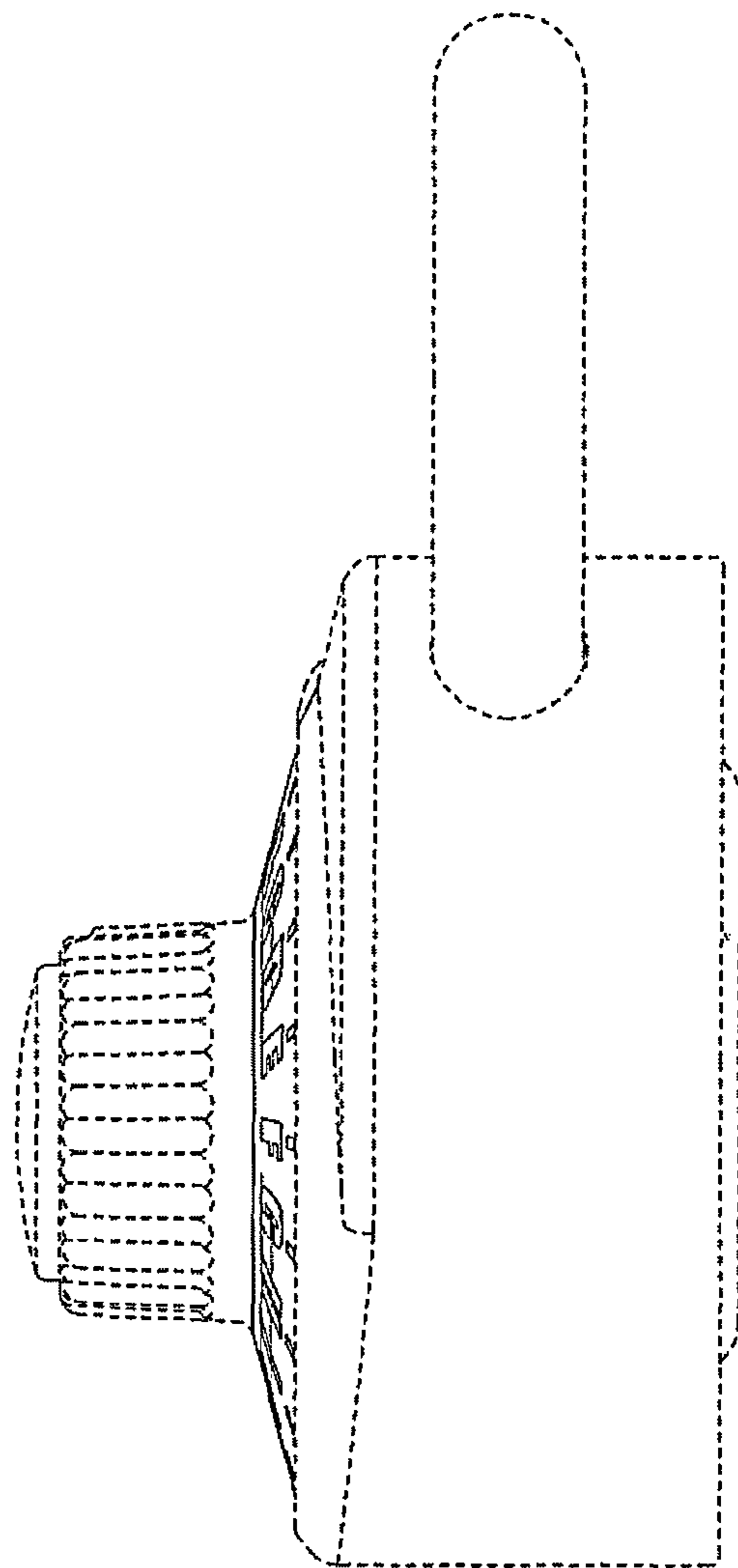


**FIG. 12**





**FIG. 13**



**FIG. 14**