



US00D679167S

(12) **United States Design Patent**  
**Phill et al.**

(10) **Patent No.:** **US D679,167 S**

(45) **Date of Patent:** **\*\* Apr. 2, 2013**

(54) **COVER FOR HANDHELD TOOL**

(76) Inventors: **Darren R. Phill**, Calgary (CA); **Mark Backer**, Balzac (CA); **Robert Desaulniers**, Calgary (CA)

(\*\*) Term: **14 Years**

(21) Appl. No.: **29/391,526**

(22) Filed: **May 10, 2011**

(51) **LOC (9) Cl.** ..... **08-06**

(52) **U.S. Cl.** ..... **D8/322; D8/107**

(58) **Field of Classification Search** ..... D8/322,  
D8/107, 30, 14; D3/17; D19/57, 58; D4/138;  
16/110.1, 250, 422, 426, 429, 430; 15/98,  
15/143.1, 146; 219/137.51, 137.61  
See application file for complete search history.

(56) **References Cited**

**U.S. PATENT DOCUMENTS**

D33,589	S	*	11/1900	Higgins	.....	D8/107
D35,504	S	*	12/1901	Cronk	.....	D8/14
2,512,707	A	*	6/1950	Anderson	.....	219/75
2,549,804	A	*	4/1951	Graham	.....	219/98
D172,199	S	*	5/1954	Schoenwald	.....	D8/30
D175,577	S	*	9/1955	Young	.....	D8/30
D208,399	S	*	8/1967	Ferry	.....	D8/90
D221,612	S	*	8/1971	Meese	.....	D8/30

4,450,341	A	*	5/1984	Dietrick et al.	.....	219/137.52
5,233,890	A	*	8/1993	Aldrich et al.	.....	477/65
D454,047	S	*	3/2002	Hung	.....	D8/107
D576,712	S	*	9/2008	Urquiola	.....	D23/250
D658,466	S	*	5/2012	Phill et al.	.....	D8/107

\* cited by examiner

*Primary Examiner* — Paula Greene

(74) *Attorney, Agent, or Firm* — Miller Thomson

(57) **CLAIM**

The ornamental design for cover for handheld tool, as shown and described.

**DESCRIPTION**

FIG. 1 illustrates a perspective view of a cover for handheld tool.

FIG. 2 illustrates a front view thereof.

FIG. 3 illustrates a rear view thereof.

FIG. 4 is a side elevational view thereof;

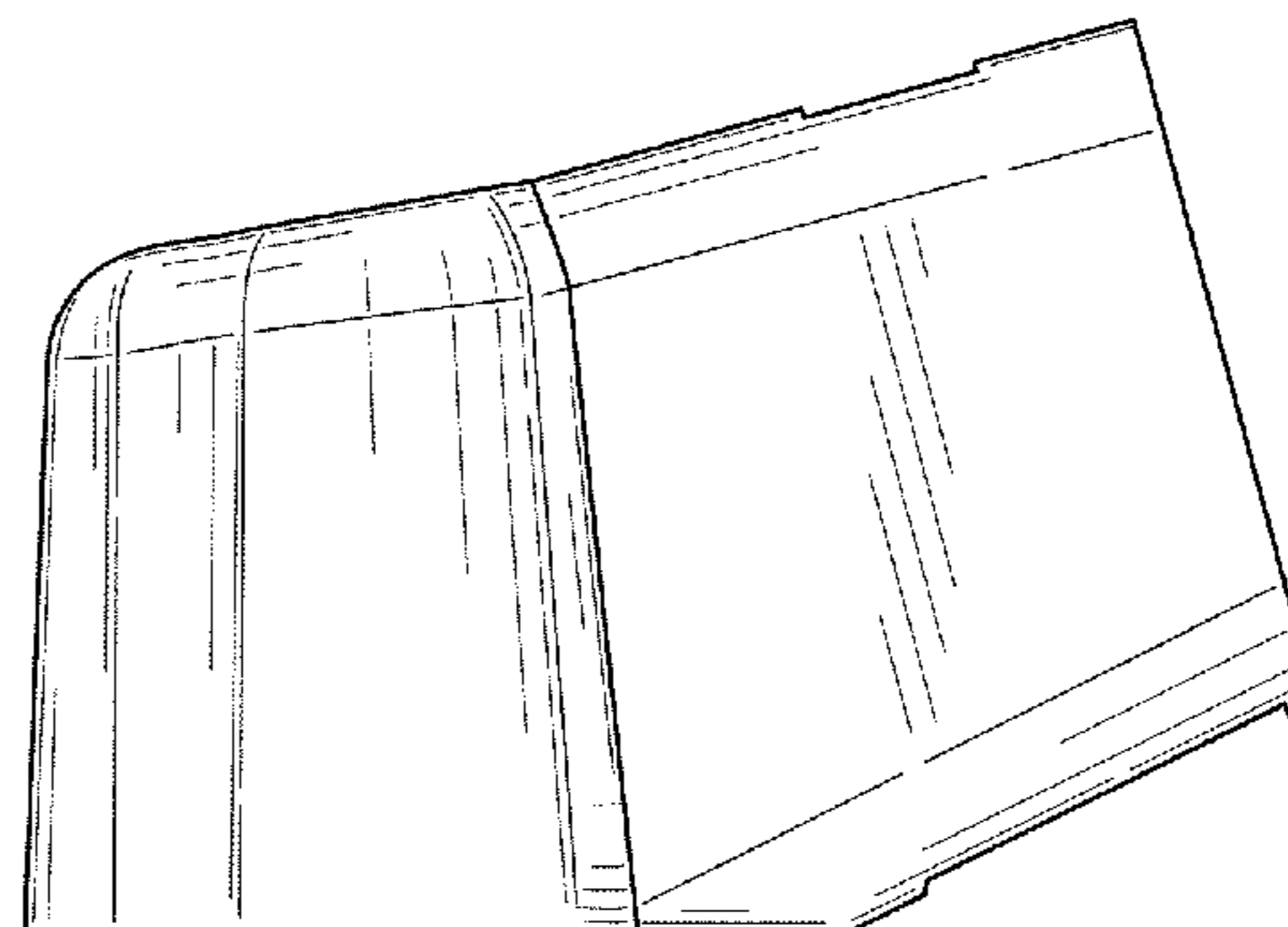
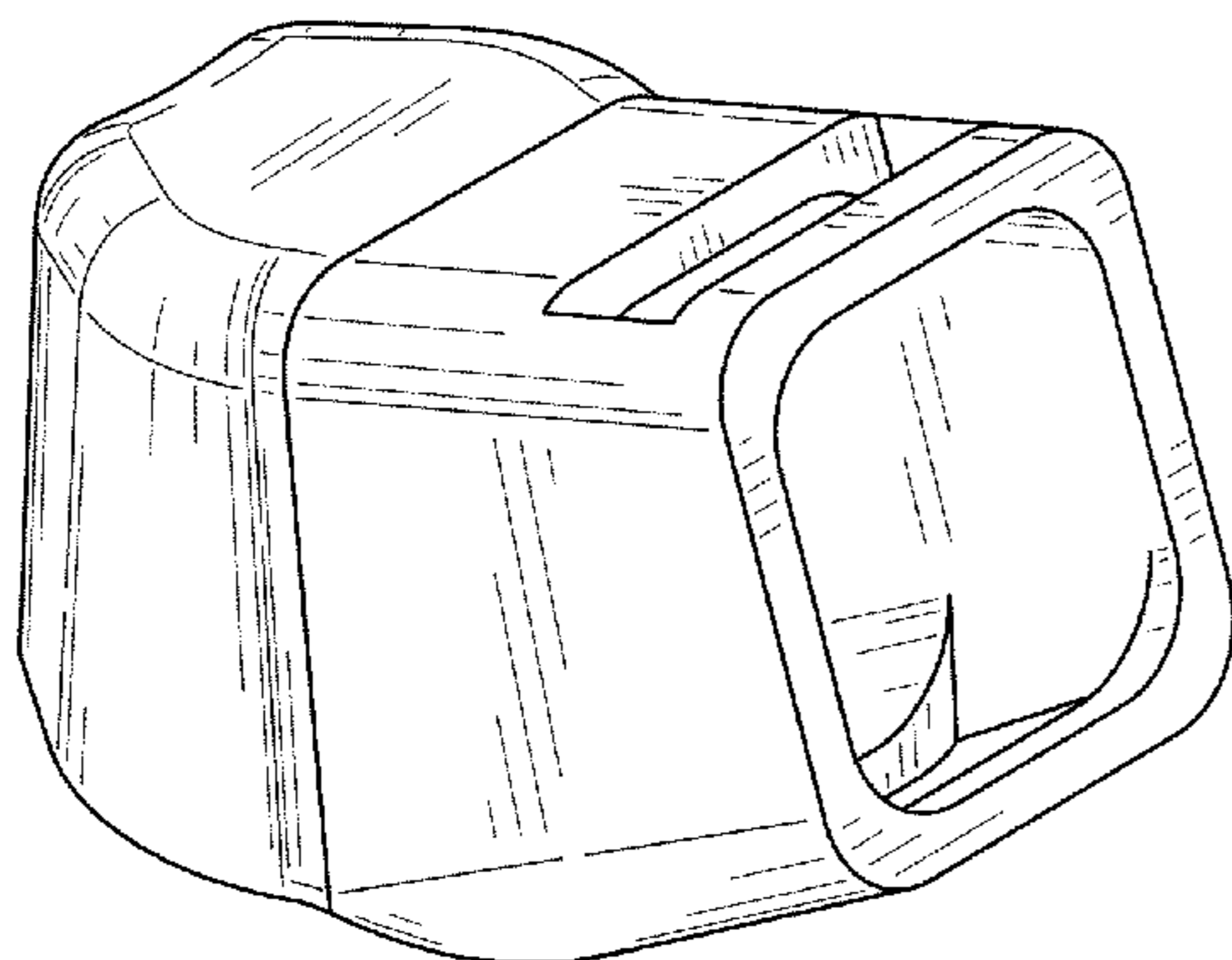
FIG. 5 is an opposite side elevational view thereof;

FIG. 6 illustrates a top view thereof; and,

FIG. 7 illustrates a bottom view thereof.

The cover for handheld tool has a rear vertical portion and a front facing angled portion, and a plurality of openings designed to allow fitting of the cover over the head portion of a handheld tool.

**1 Claim, 3 Drawing Sheets**



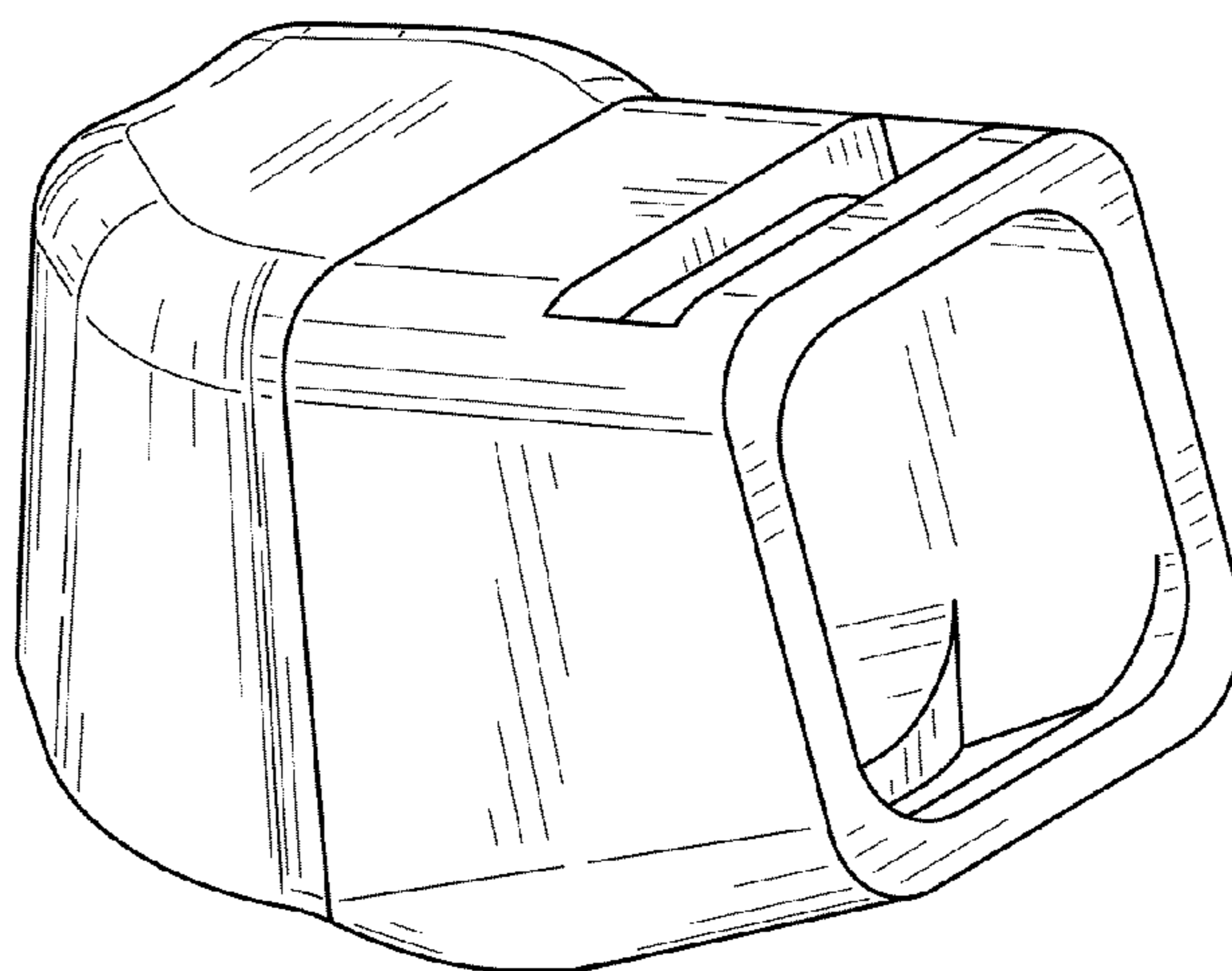


FIG. 1

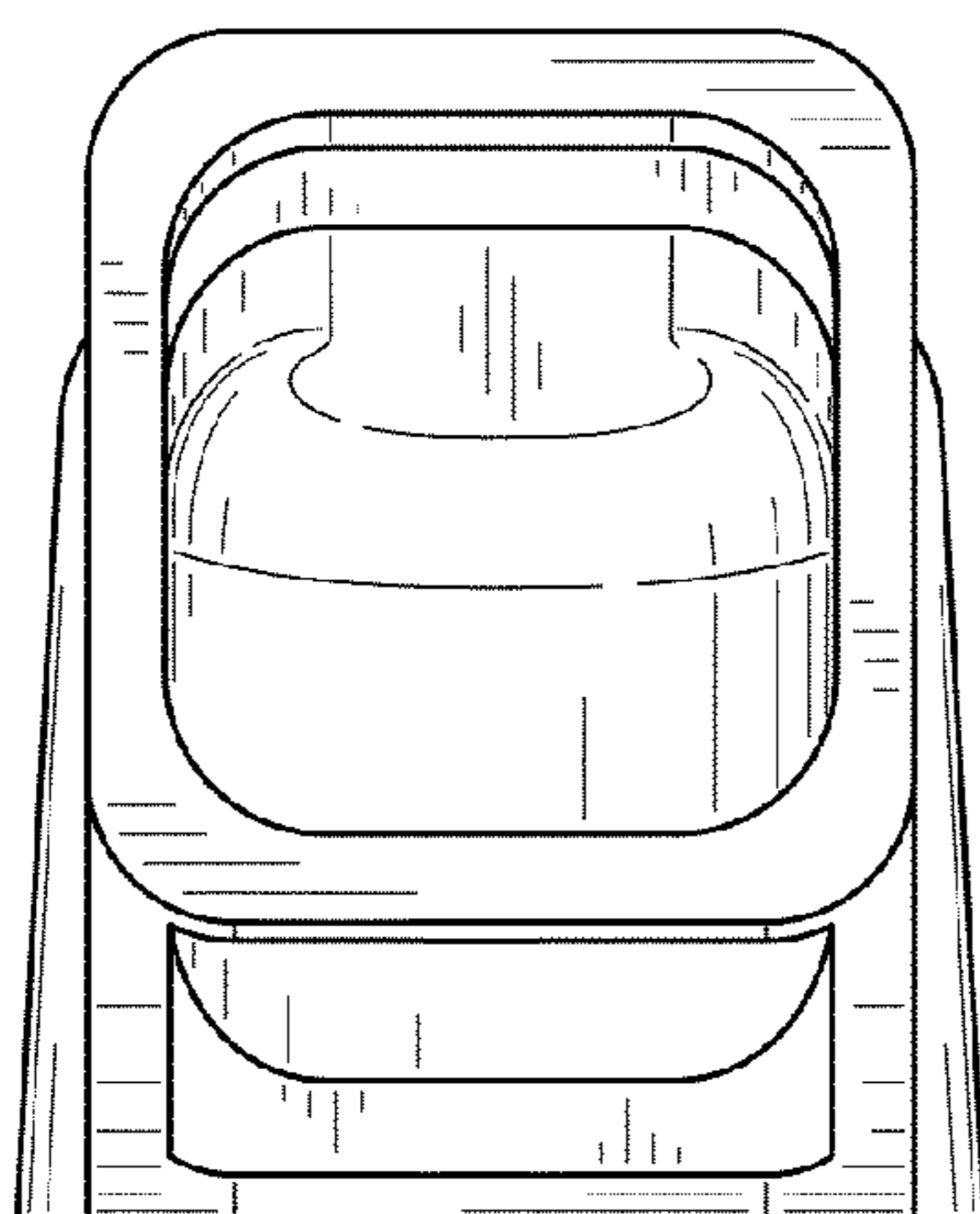


FIG. 2

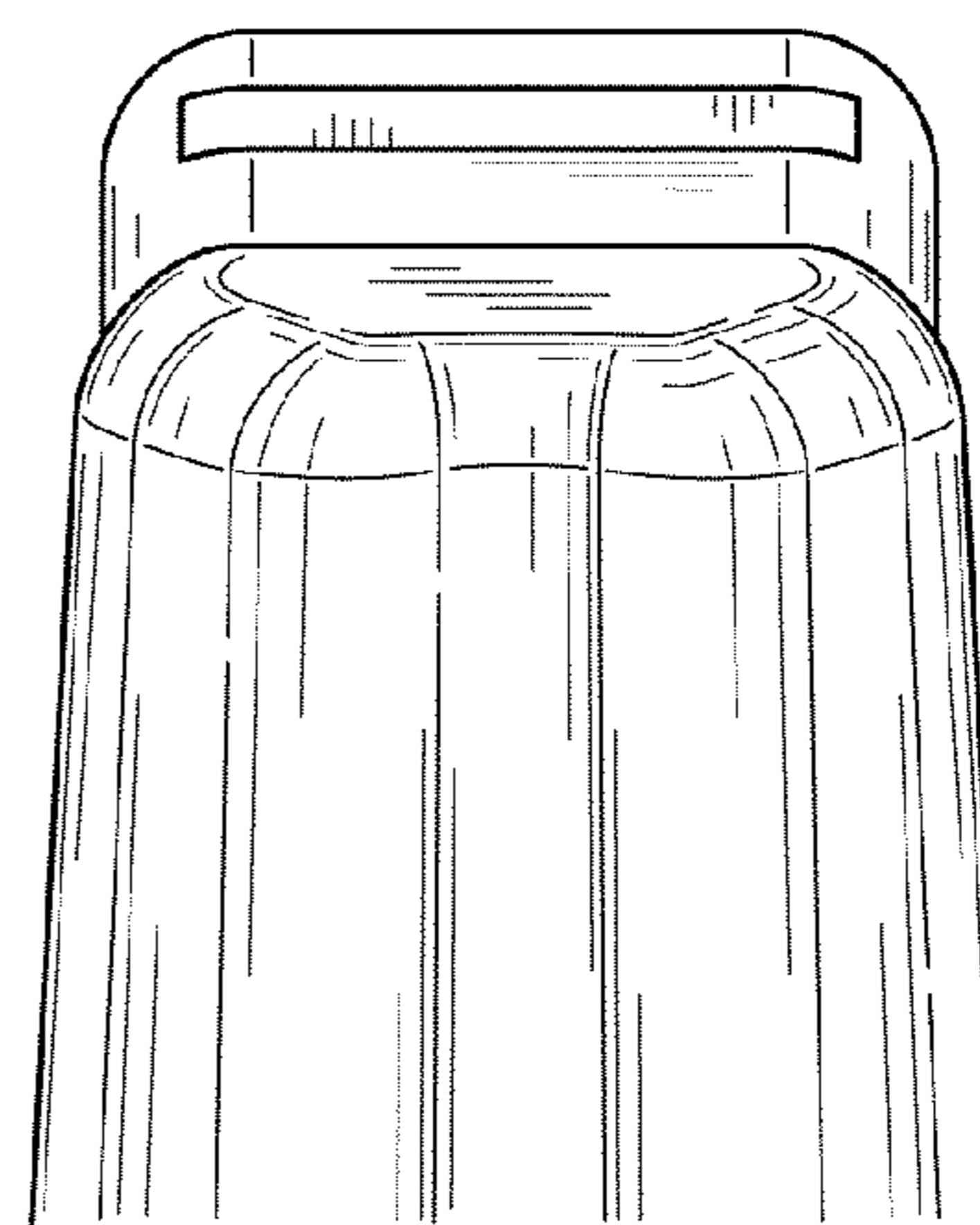
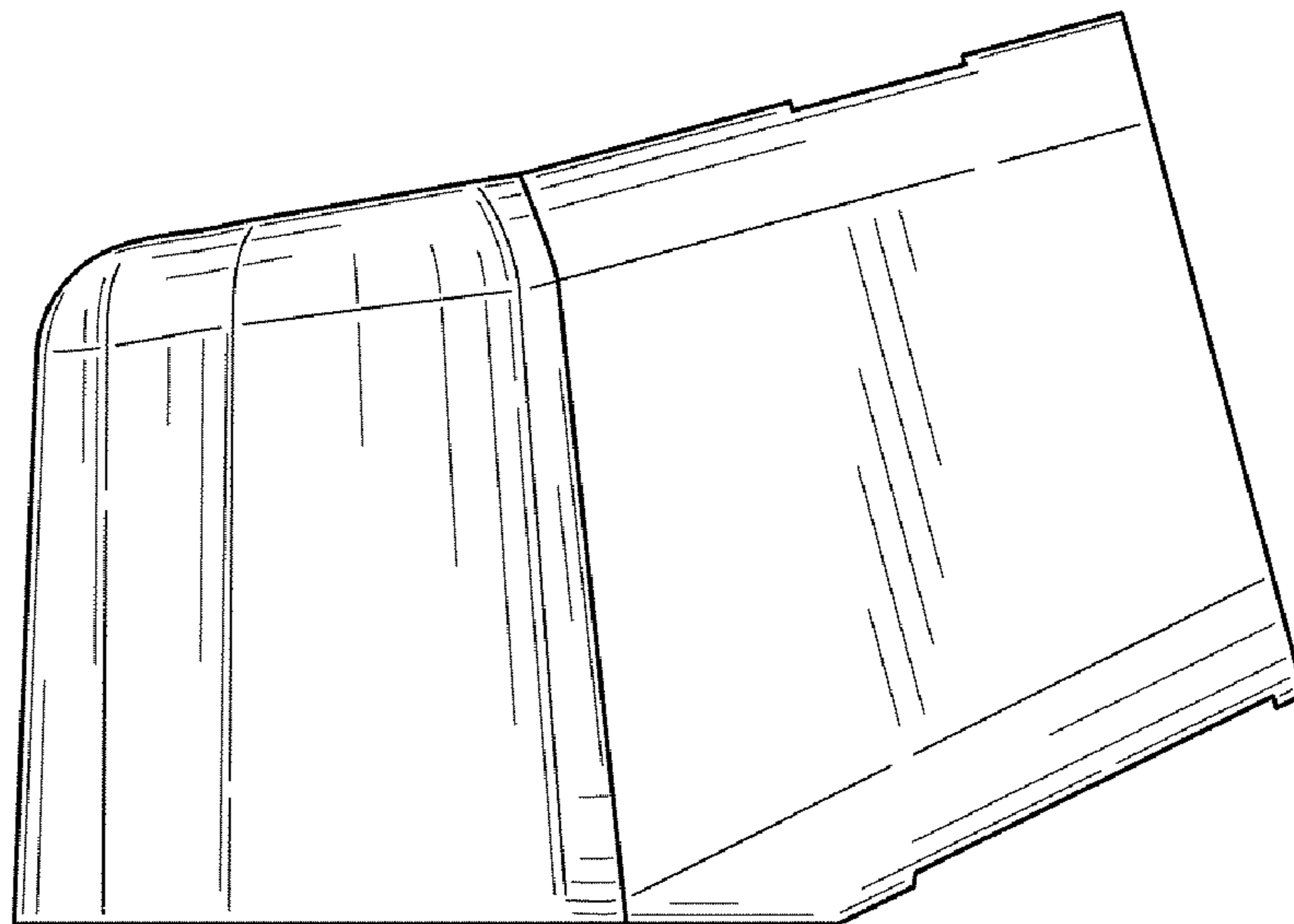
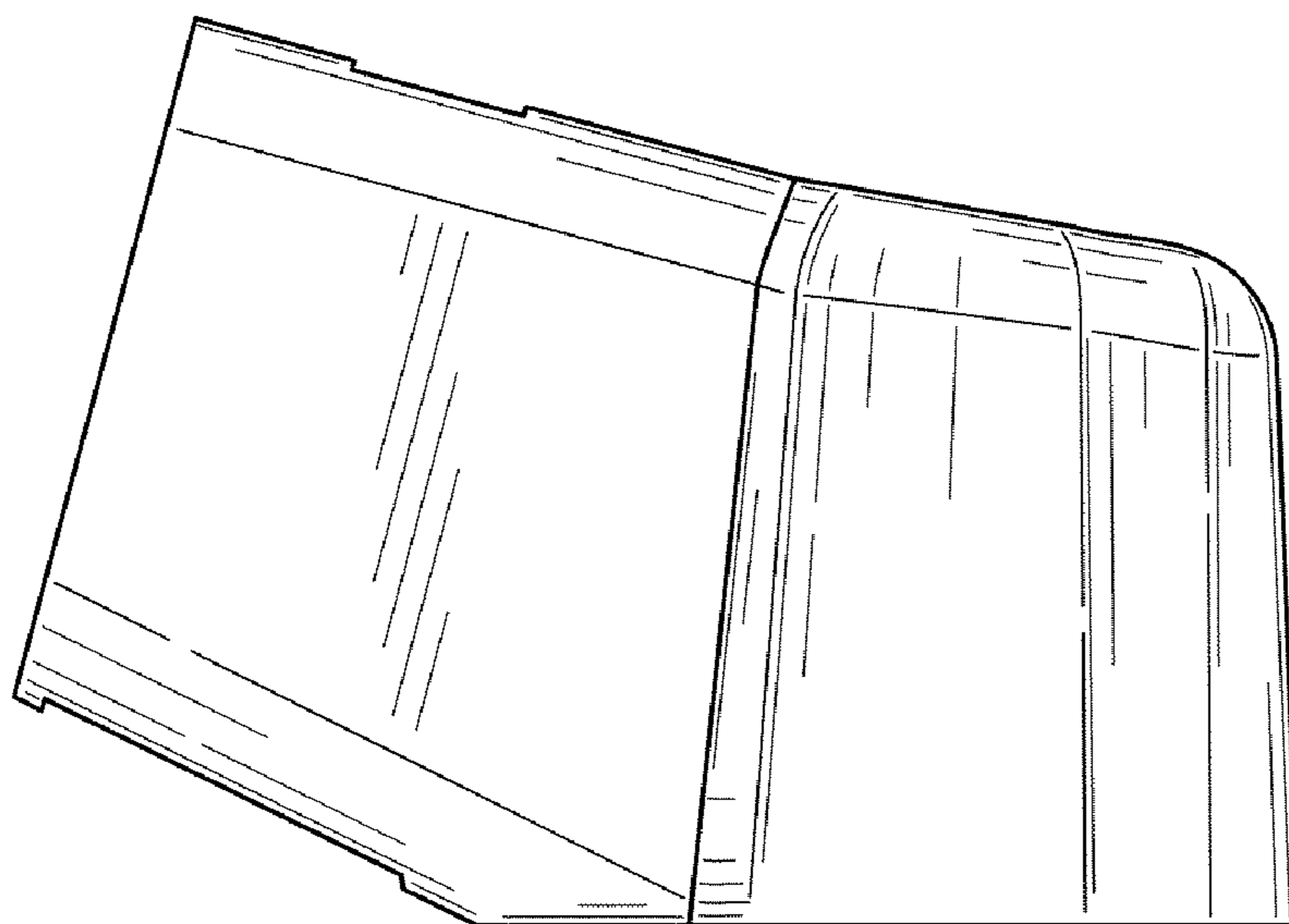


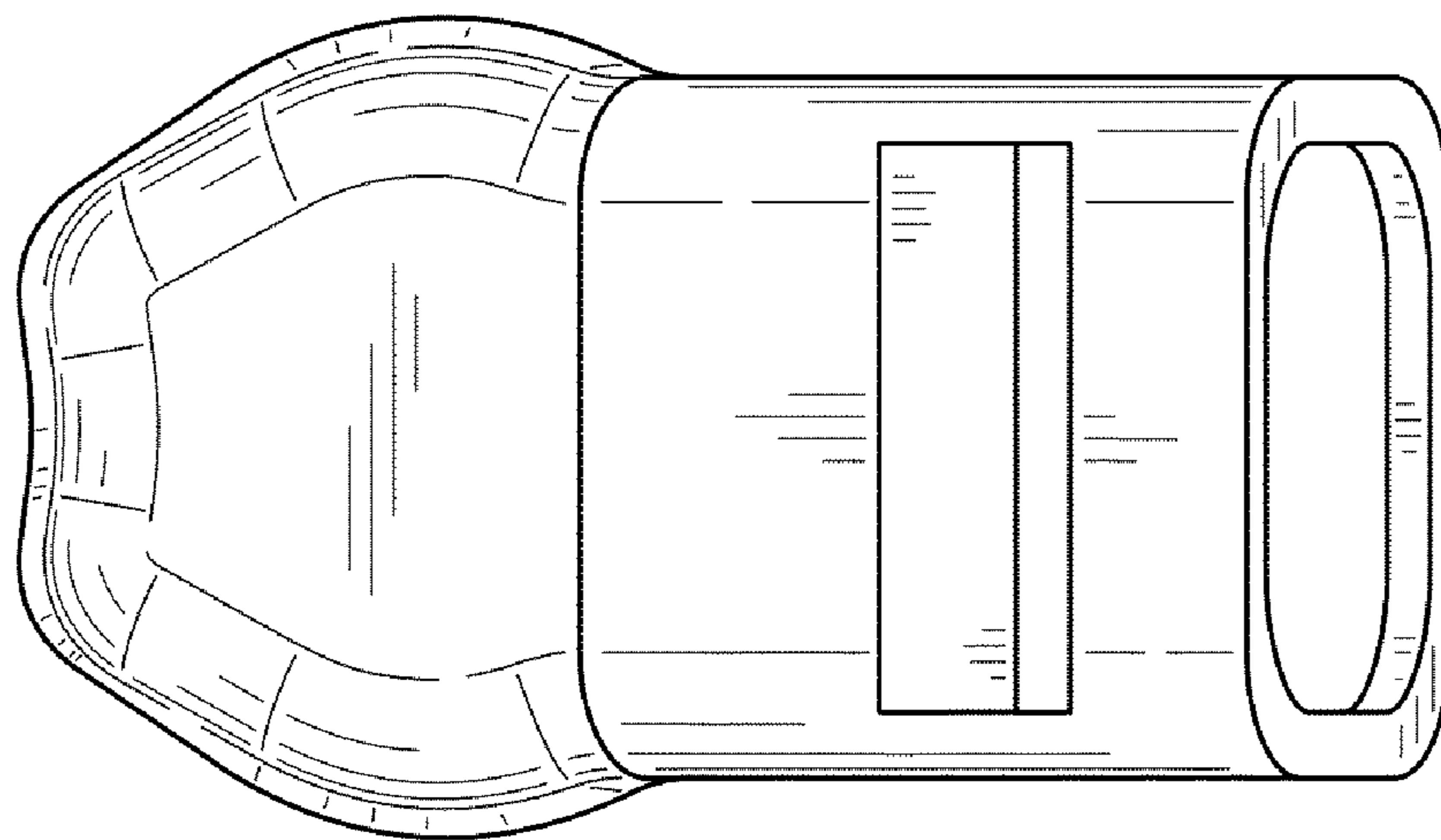
FIG. 3



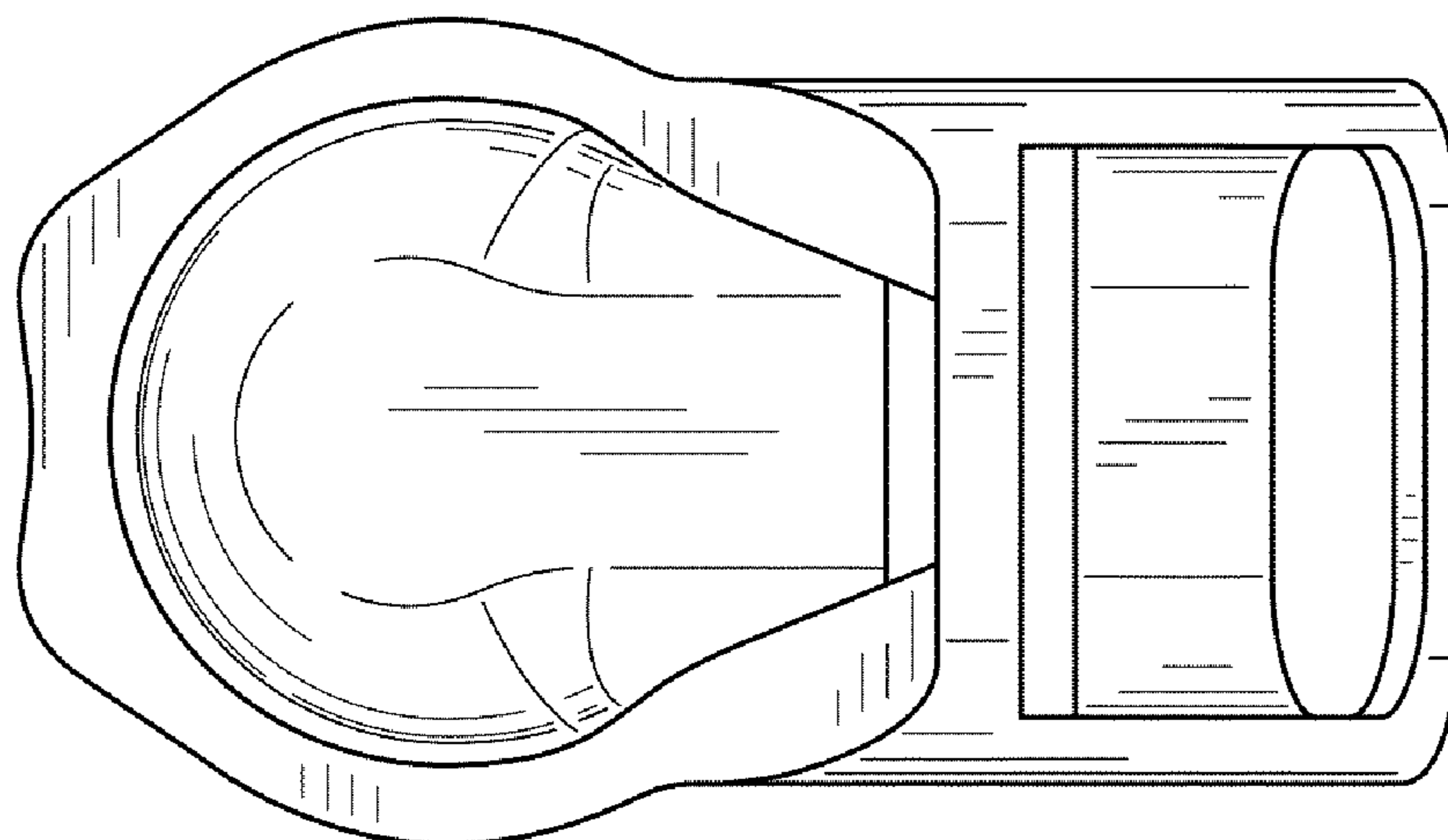
**FIG. 4**



**FIG. 5**



**FIG. 6**



**FIG. 7**