



US00D679166S

(12) **United States Design Patent**
Stuckey et al.

(10) **Patent No.:** **US D679,166 S**

(45) **Date of Patent:** **** Apr. 2, 2013**

(54) **HANDLE**

(75) Inventors: **David Stuckey**, Hawthorn (AU); **Marc Fraser**, Doncaster East (AU)

(73) Assignee: **David Stuckey Investments Pty Ltd.**, Melbourne, Victoria (AU)

(**) Term: **14 Years**

(21) Appl. No.: **29/418,085**

(22) Filed: **Apr. 12, 2012**

(30) **Foreign Application Priority Data**

Oct. 13, 2011 (AU) 14661/2011

(51) **LOC (9) Cl.** **08-06**

(52) **U.S. Cl.** **D8/302**

(58) **Field of Classification Search** D8/302,
D8/306, 321, 331, 343, 336, 337, 338; 70/208,
70/209, 210, 224; 292/336.3; 16/110.1
See application file for complete search history.

(56) **References Cited**

U.S. PATENT DOCUMENTS

D209,323	S *	11/1967	Constable	D8/331
D230,566	S	3/1974	Harrell		
5,408,853	A	4/1995	Yamada		
5,685,181	A *	11/1997	Ramsauer	70/208
5,722,269	A *	3/1998	Simon et al.	70/208
5,862,690	A	1/1999	Jancsek		
6,029,498	A	2/2000	Walters et al.		
6,068,308	A	5/2000	Molzer		
6,174,007	B1 *	1/2001	Schlack et al.	292/336.3
6,318,770	B1	11/2001	Molzer		
6,363,577	B1	4/2002	Spitzley		
6,363,761	B1 *	4/2002	Sauerland	70/208
6,494,509	B2	12/2002	Molzer		
6,527,307	B2	3/2003	Welsh et al.		

6,662,605	B2	12/2003	Molzer		
D520,329	S *	5/2006	Schlack et al.	D8/302
7,159,909	B1	1/2007	Hung		
D565,924	S *	4/2008	Hoshimoto	D8/302
7,431,357	B2	10/2008	Pudney		
D585,264	S *	1/2009	Stuckey	D8/321
D593,397	S	6/2009	Stuckey		
7,667,335	B2 *	2/2010	Lin et al.	257/779
D629,276	S *	12/2010	Chelton	D8/302
7,861,563	B2 *	1/2011	Antonucci	70/208
D634,180	S *	3/2011	Stuckey	D8/321
8,042,845	B2	10/2011	Tanimoto et al.		
D649,003	S	11/2011	Stuckey		
D649,014	S	11/2011	Stuckey		
D660,127	S *	5/2012	Stuckey et al.	D8/302
8,176,758	B2 *	5/2012	Ramsauer et al.	70/208

* cited by examiner

Primary Examiner — Paula Greene

(74) *Attorney, Agent, or Firm* — Harness, Dickey & Pierce, P.L.C.

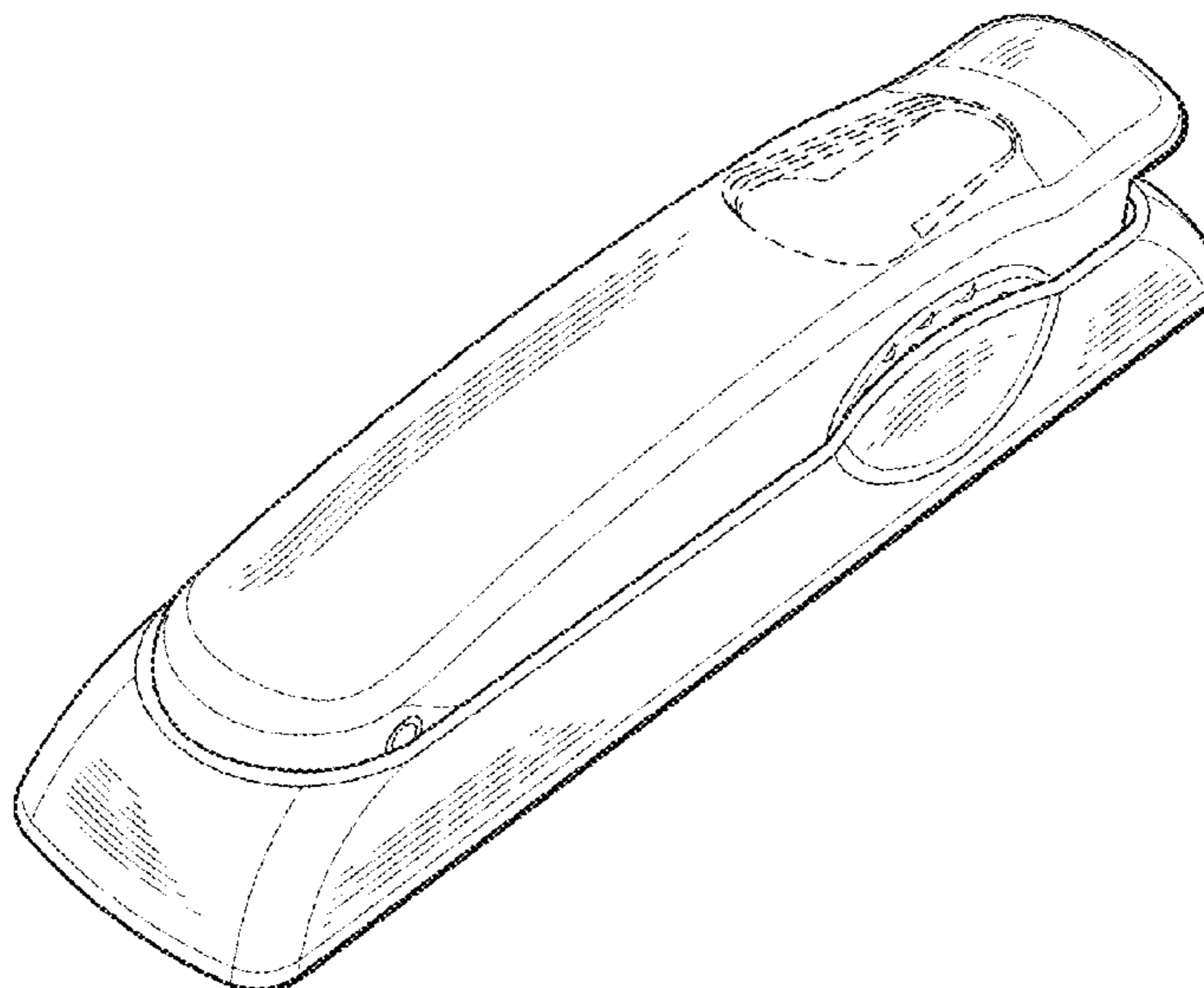
(57) **CLAIM**

We claim the ornamental design for a handle, as shown and described.

DESCRIPTION

FIG. 1 is a side elevational view showing the handle;
FIG. 2 is a front elevational view showing the handle;
FIG. 3 is a side elevational view, taken opposite that of FIG. 1, showing the handle;
FIG. 4 is an end elevational view showing the handle;
FIG. 5 is an end elevational view, taken opposite that of FIG. 4, showing the handle;
FIG. 6 is a perspective view showing the handle; and,
FIG. 7 is a perspective view, taken opposite that of FIG. 6, showing the handle.
The broken lines form no part of the claimed design.

1 Claim, 3 Drawing Sheets



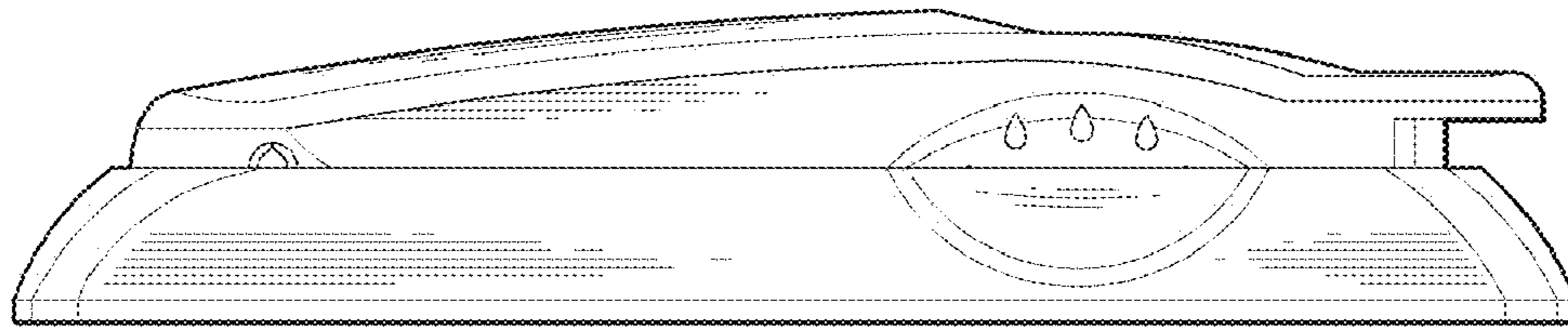


FIG. 1

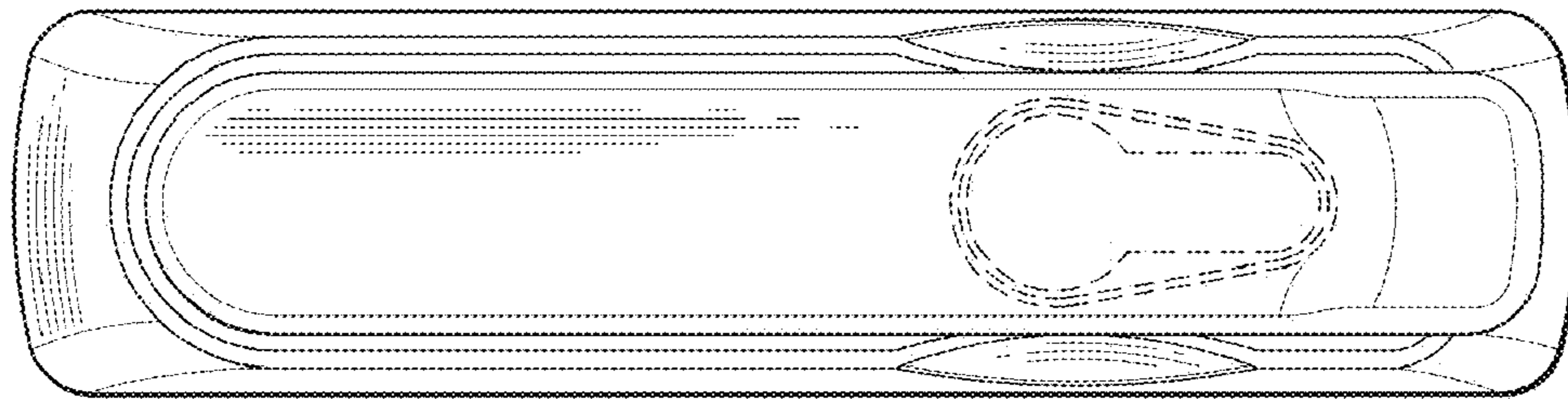


FIG. 2

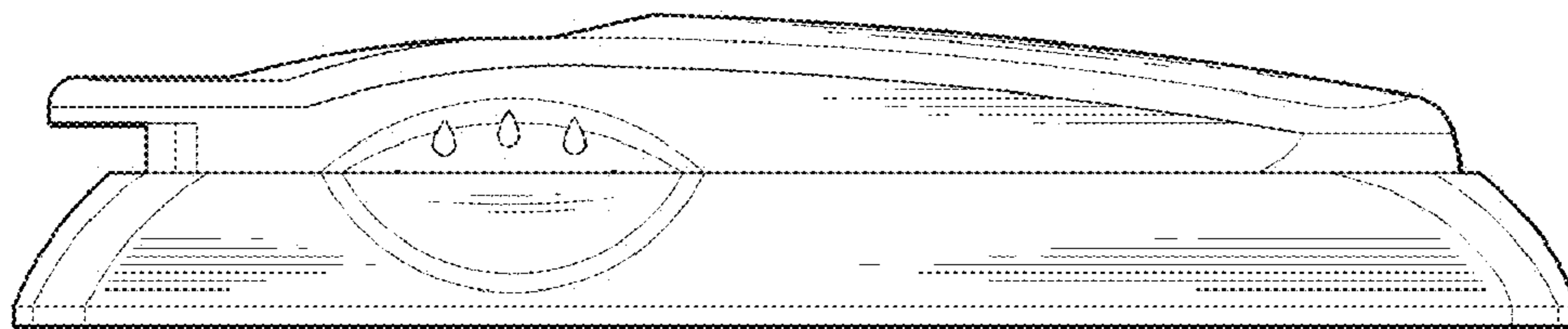


FIG. 3

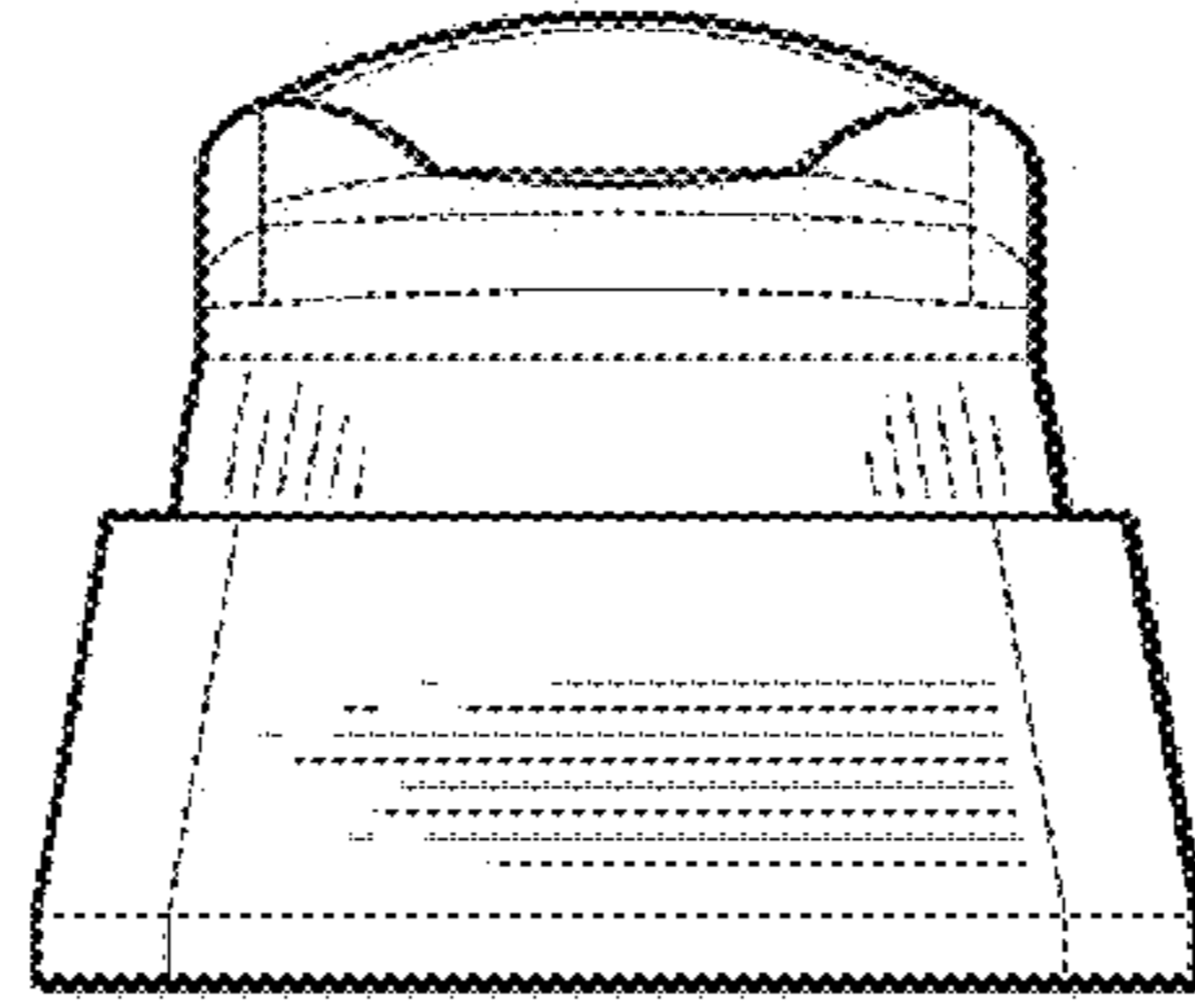


FIG. 4

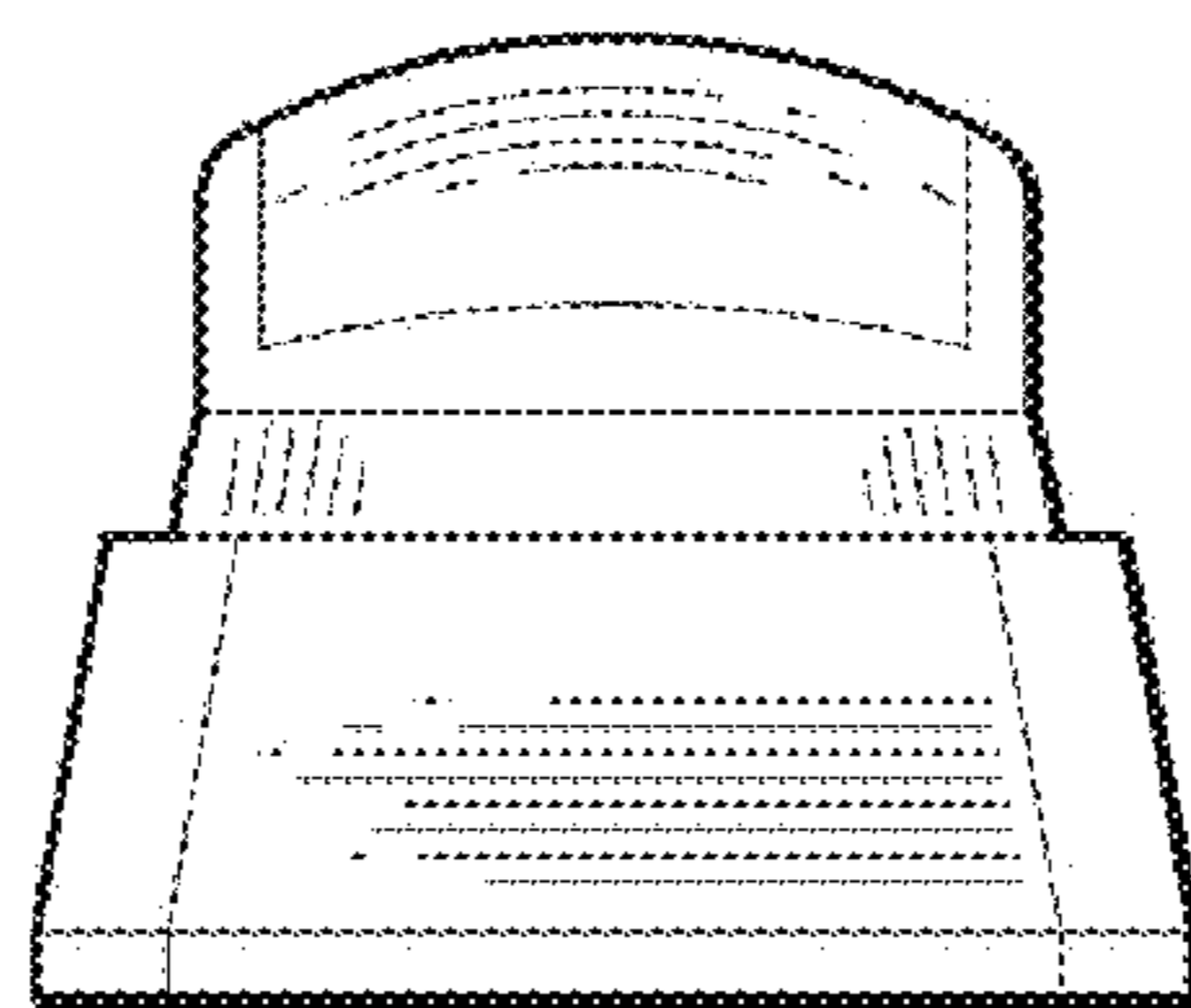


FIG. 5

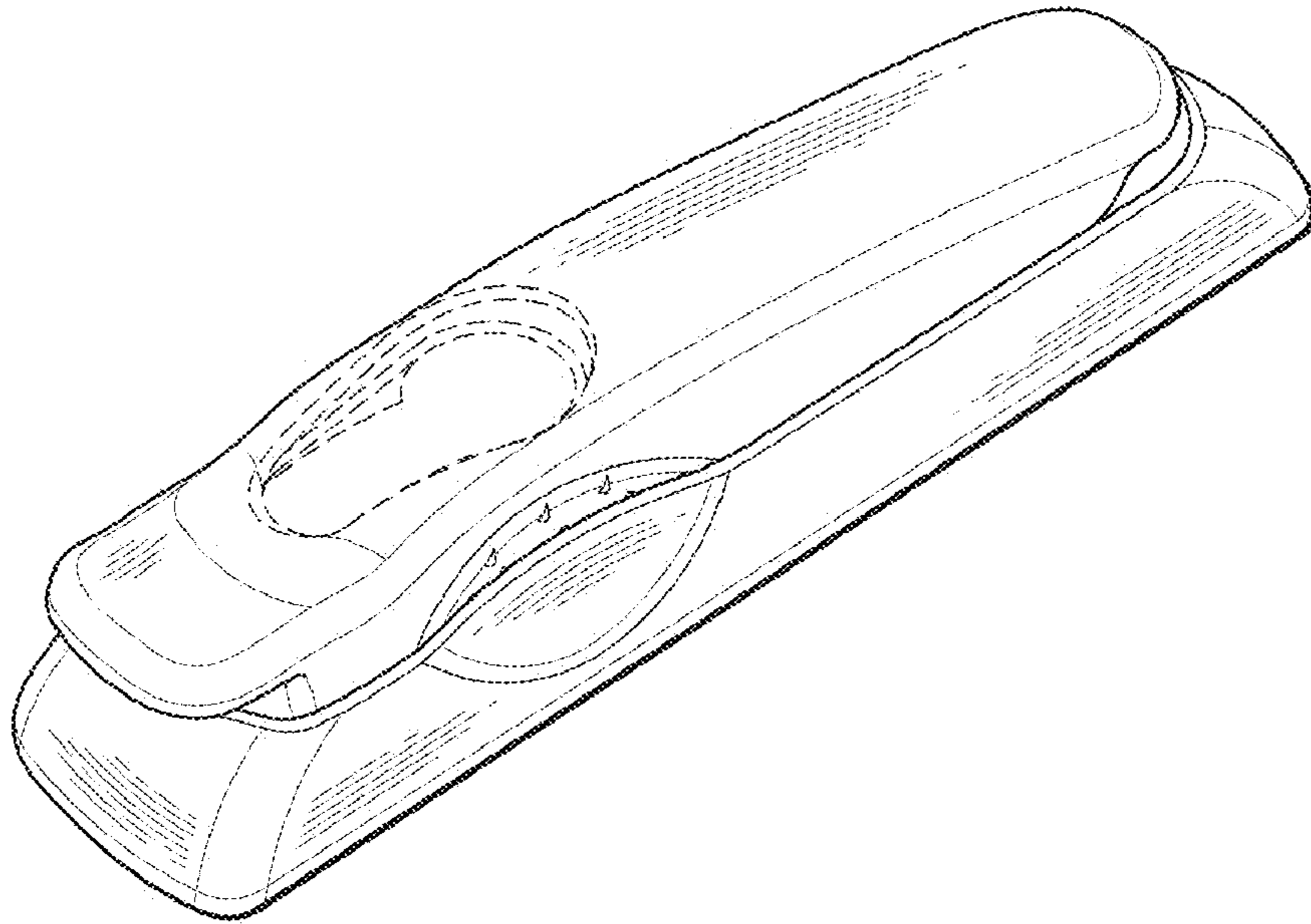


FIG. 6

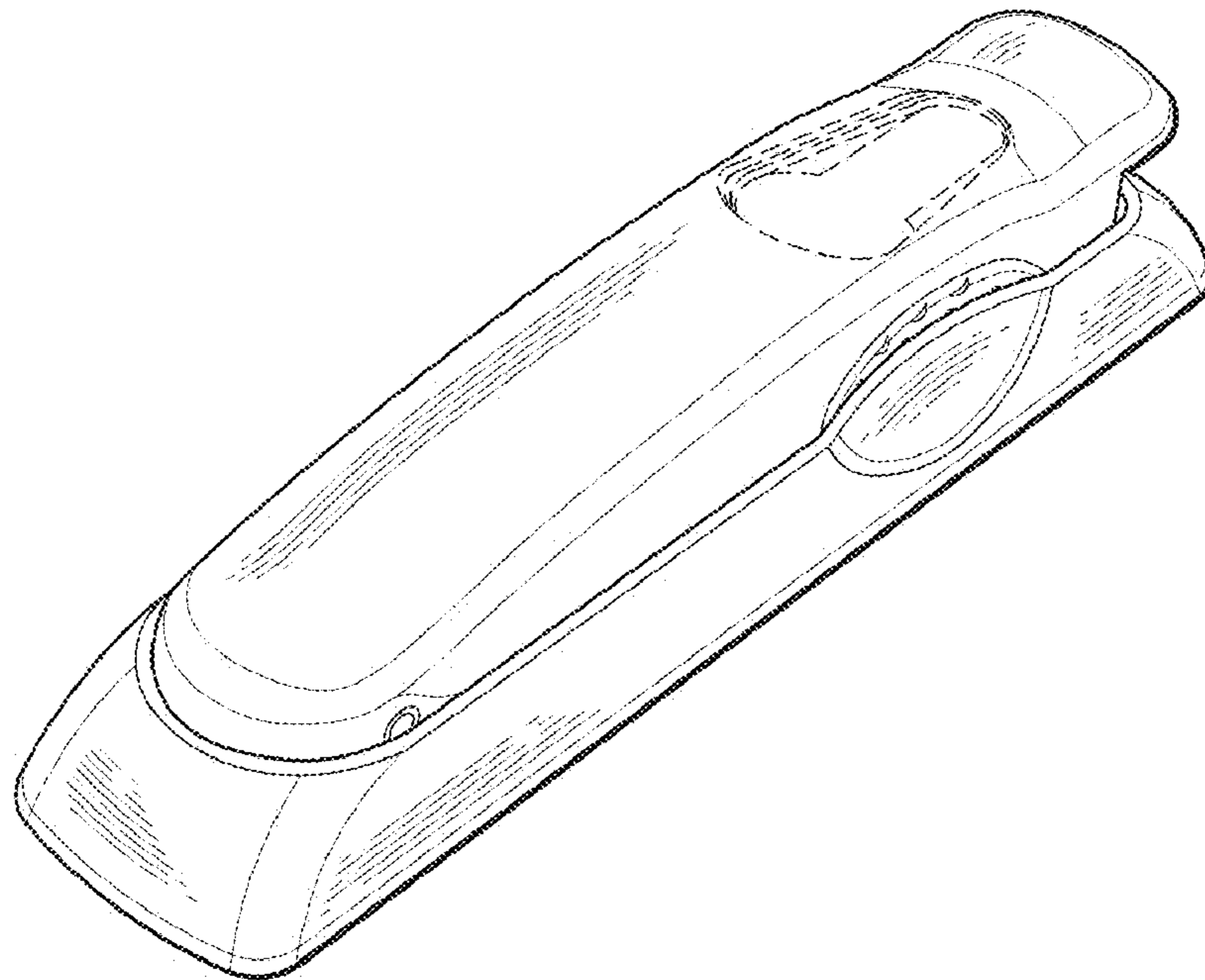


FIG. 7