



US00D679164S

(12) **United States Design Patent**  
**Chen**

(10) **Patent No.:** **US D679,164 S**

(45) **Date of Patent:** **\*\* Apr. 2, 2013**

(54) **HAMMERHEAD OF IMPACTOR**

(76) Inventor: **Bing-Sheng Chen**, Taichung (TW)

(\*\*) Term: **14 Years**

(21) Appl. No.: **29/417,597**

(22) Filed: **Apr. 5, 2012**

(30) **Foreign Application Priority Data**

Dec. 2, 2011 (TW) ..... 100306605

(51) **LOC (9) Cl.** ..... **08-03**

(52) **U.S. Cl.** ..... **D8/70; D8/77; D8/78**

(58) **Field of Classification Search** ..... D8/70,  
D8/75, 76, 77, 78, 79; 81/19, 20, 21, 22,  
81/23, 24, 25, 26; 254/26 R; 7/143, 146;  
D15/18, 28, 124, 126, 138

See application file for complete search history.

(56) **References Cited**

**U.S. PATENT DOCUMENTS**

|           |      |         |                          |       |         |
|-----------|------|---------|--------------------------|-------|---------|
| 3,128,131 | A *  | 4/1964  | Bianchini                | ..... | 403/248 |
| D264,931  | S *  | 6/1982  | Jones                    | ..... | D8/78   |
| 4,505,313 | A *  | 3/1985  | Finn                     | ..... | 81/20   |
| 5,056,381 | A *  | 10/1991 | Carmein                  | ..... | 76/103  |
| D350,889  | S *  | 9/1994  | Frierman                 | ..... | D8/78   |
| D373,060  | S *  | 8/1996  | Wilcox                   | ..... | D8/78   |
| 6,354,425 | B1 * | 3/2002  | Tuxen et al.             | ..... | 194/350 |
| D477,517  | S *  | 7/2003  | Siemers                  | ..... | D8/78   |
| D530,582  | S *  | 10/2006 | Sleiman                  | ..... | D8/77   |
| D535,323  | S *  | 1/2007  | Christian et al.         | ..... | D18/35  |
| D536,368  | S *  | 2/2007  | Christian et al.         | ..... | D18/35  |
| D544,550  | S *  | 6/2007  | Hageman                  | ..... | D21/497 |
| D545,844  | S *  | 7/2007  | Kroeker                  | ..... | D15/5   |
| D564,323  | S *  | 3/2008  | Zubiaurre Alberdi et al. | ..    | D8/78   |
| D574,690  | S *  | 8/2008  | Chen                     | ..... | D8/78   |
| D600,089  | S *  | 9/2009  | Mullen et al.            | ..... | D8/78   |
| D643,446  | S *  | 8/2011  | Gupta et al.             | ..... | D15/136 |

|              |      |        |                    |       |         |
|--------------|------|--------|--------------------|-------|---------|
| 2003/0017011 | A1 * | 1/2003 | DeVoe              | ..... | 405/284 |
| 2003/0096032 | A1 * | 5/2003 | Gregg              | ..... | 425/308 |
| 2011/0028064 | A1 * | 2/2011 | Christensen et al. | ..... | 446/120 |
| 2012/0180608 | A1 * | 7/2012 | Gibson et al.      | ..... | 81/489  |

**OTHER PUBLICATIONS**

Liming Heavy Industry (Shanghai). impact blockSand Making Machine Parts [online]. Nov. 1, 2011 [retrieved on Dec. 10, 2012]. Retrieved from the internet: <URL: <http://www.shanghai-crusher.com/part/Sand/688.html/>>.\*

Ningbo BestWay Magnet Co., Ltd. Block Neodymium Magnet with Countersink hole [online]. Jan. 3, 2012 [retrieved on Dec. 10, 2012]. Retrieved from the internet: <URL: [http://bwmagnet.en.hisupplier.com/product-948412-Block-Neodymium-Magnet-with-Counter-sink-hole.html](http://bwmagnet.en.hisupplier.com/product-948412-Block-Neodymium-Magnet-with-Counter-sink-hole.html/)>.\*

\* cited by examiner

*Primary Examiner* — Philip S Hyder

*Assistant Examiner* — Darlington Ly

(74) *Attorney, Agent, or Firm* — Muncy, Geissler, Olds & Lowe, PLLC

(57) **CLAIM**

I claim the ornamental design for a hammerhead of impactor, as shown and described.

**DESCRIPTION**

FIG. 1 is a perspective view of a hammerhead of impactor showing my new design;

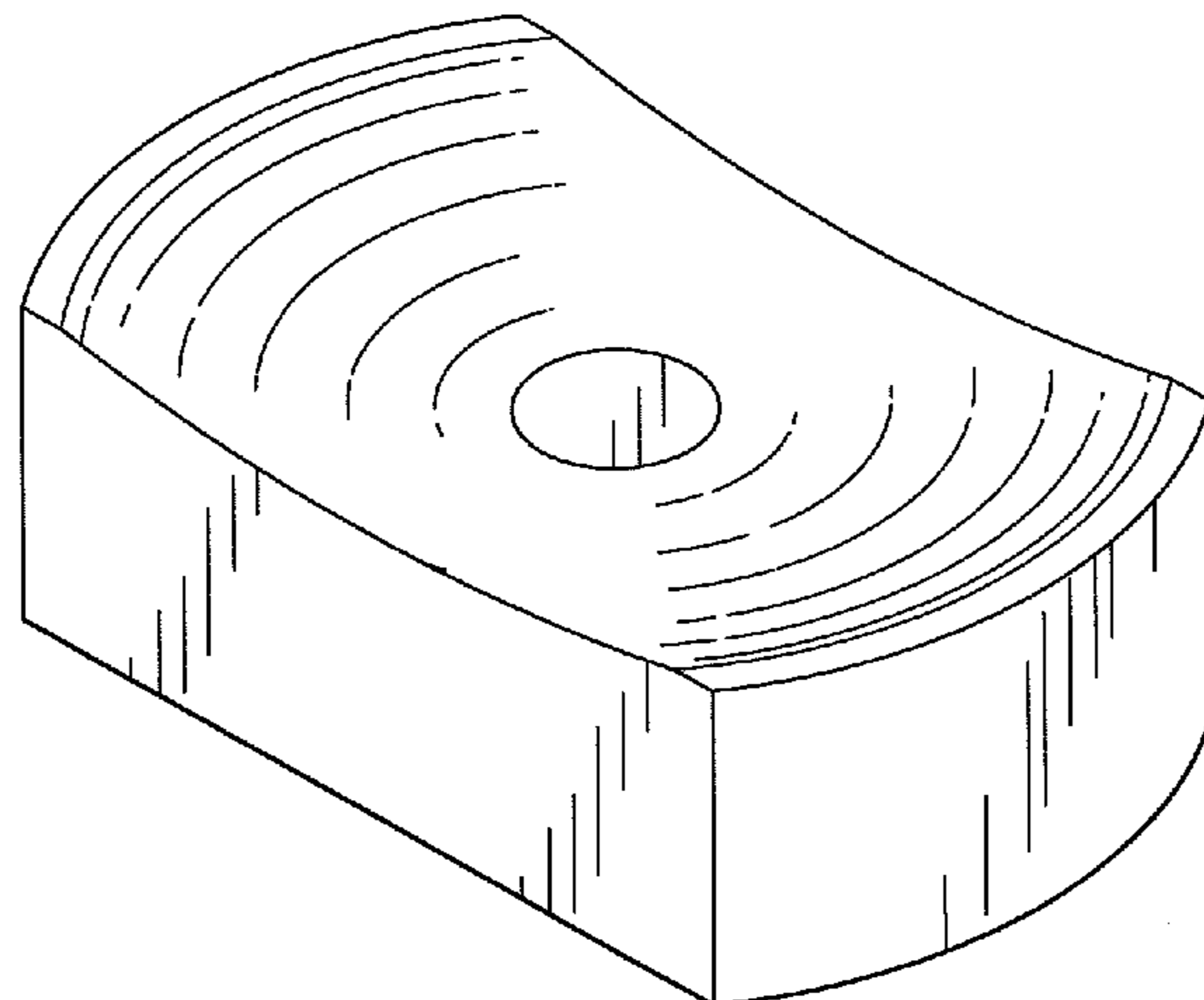
FIG. 2 is a front elevation view thereof, the rear being a mirror image;

FIG. 3 is a left side elevation view thereof, the right side being a mirror image;

FIG. 4 is a top plan view thereof; and,

FIG. 5 is a bottom plan view.

**1 Claim, 3 Drawing Sheets**



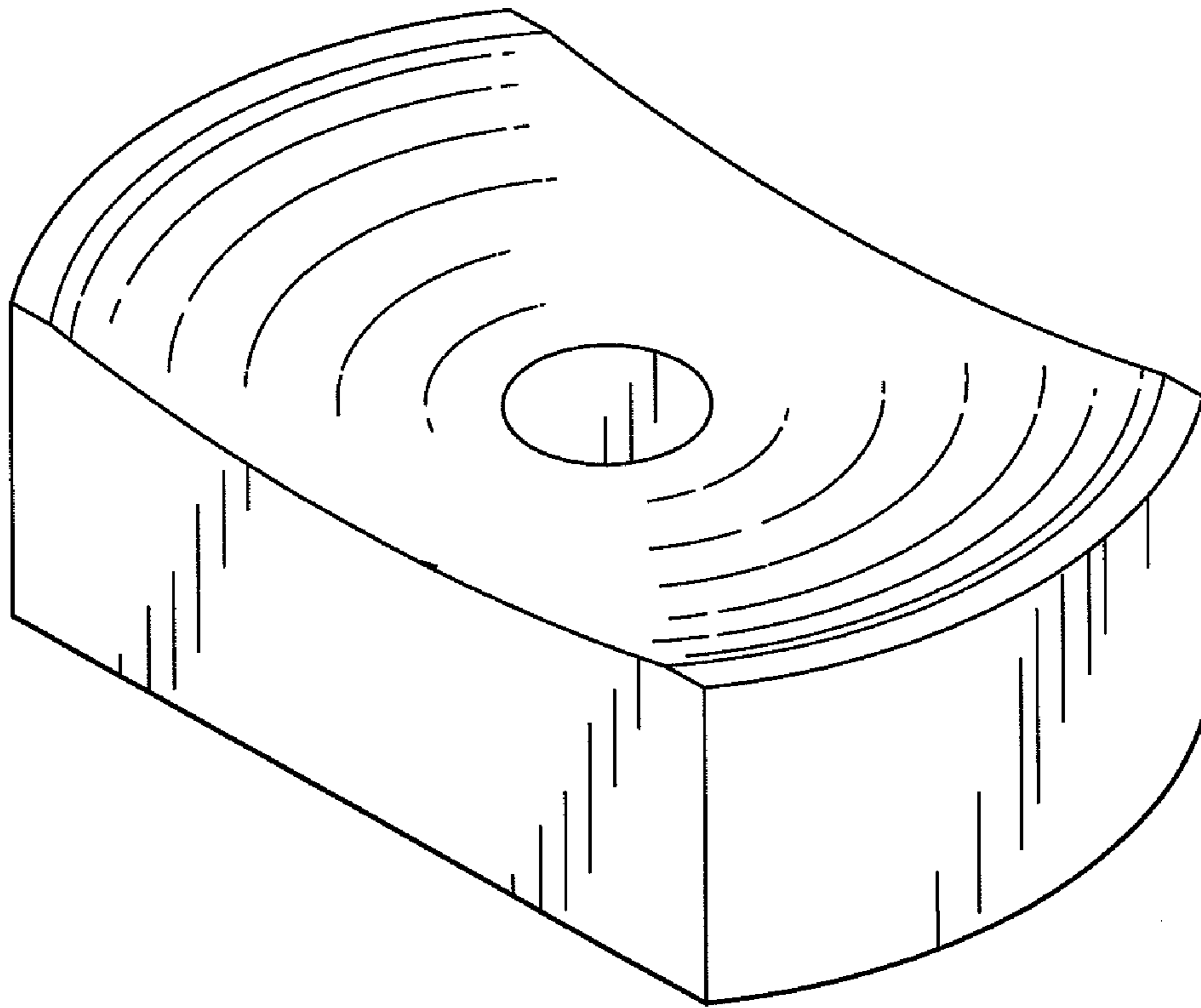


FIG. 1

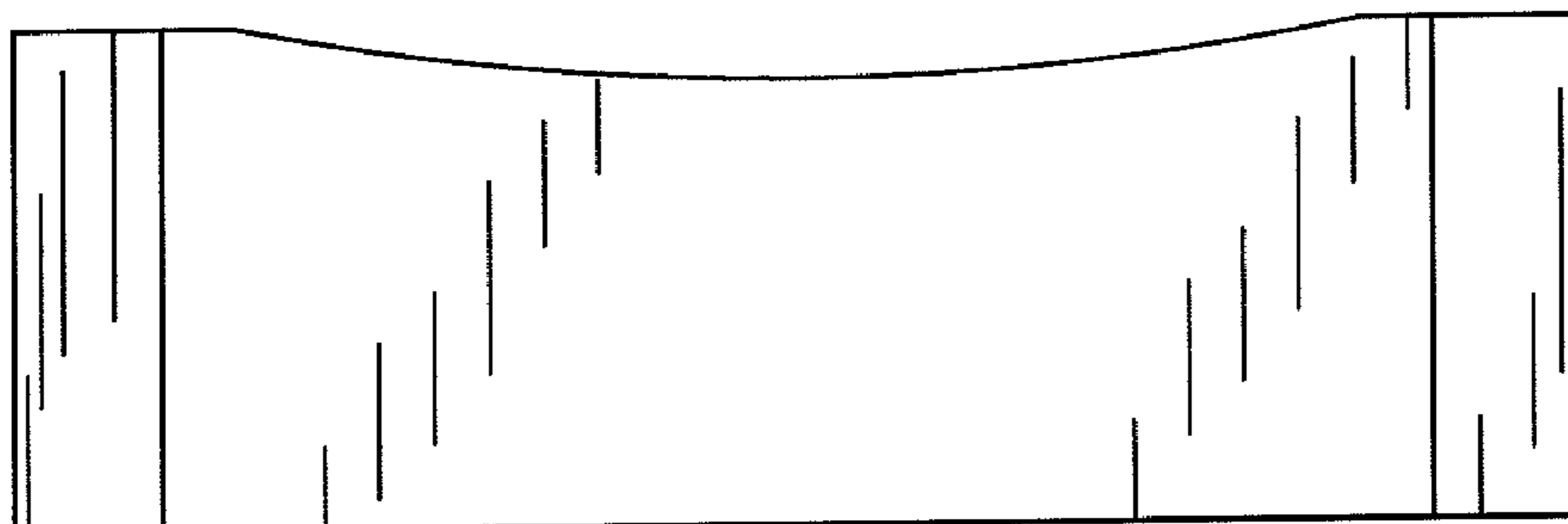


FIG. 2

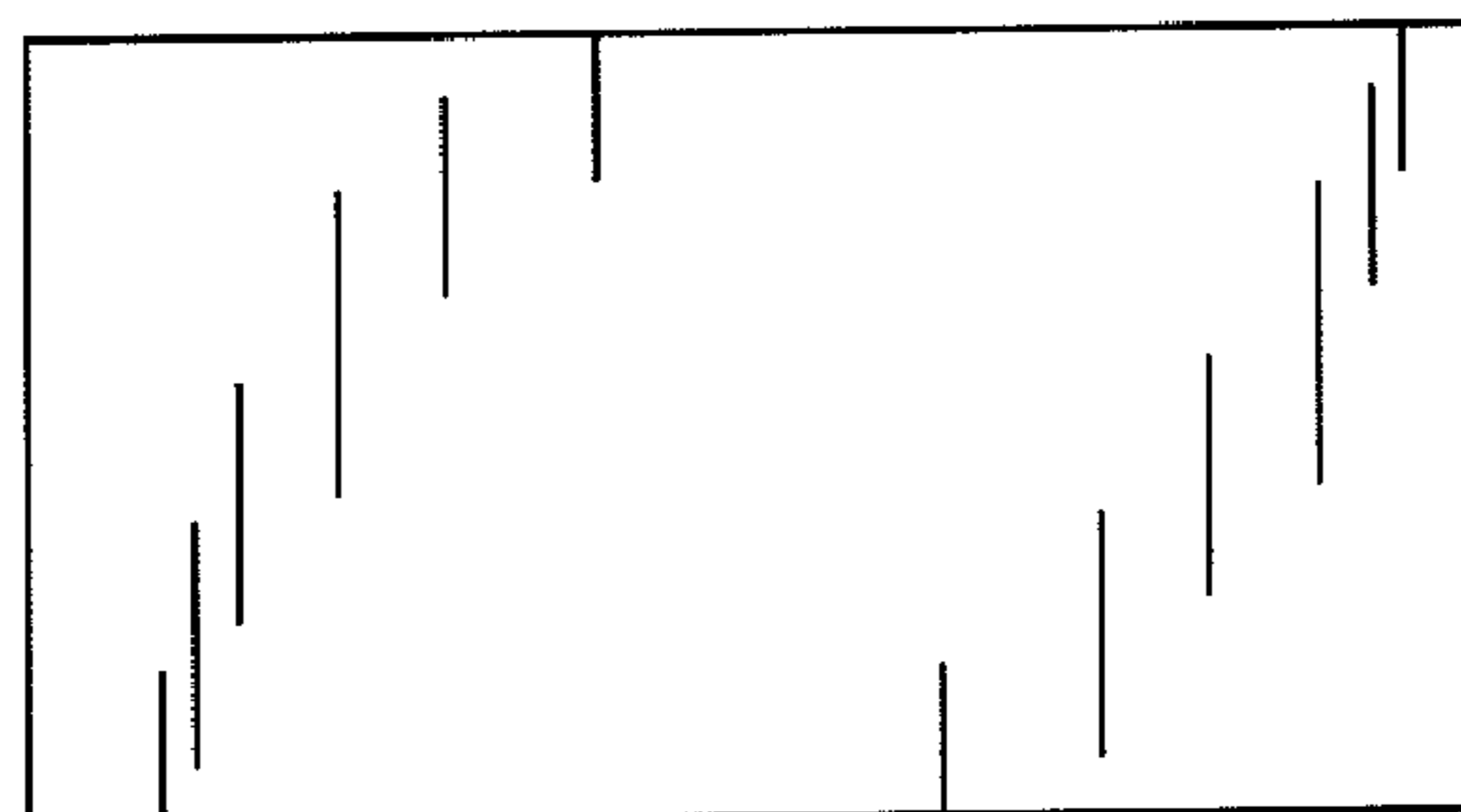


FIG. 3

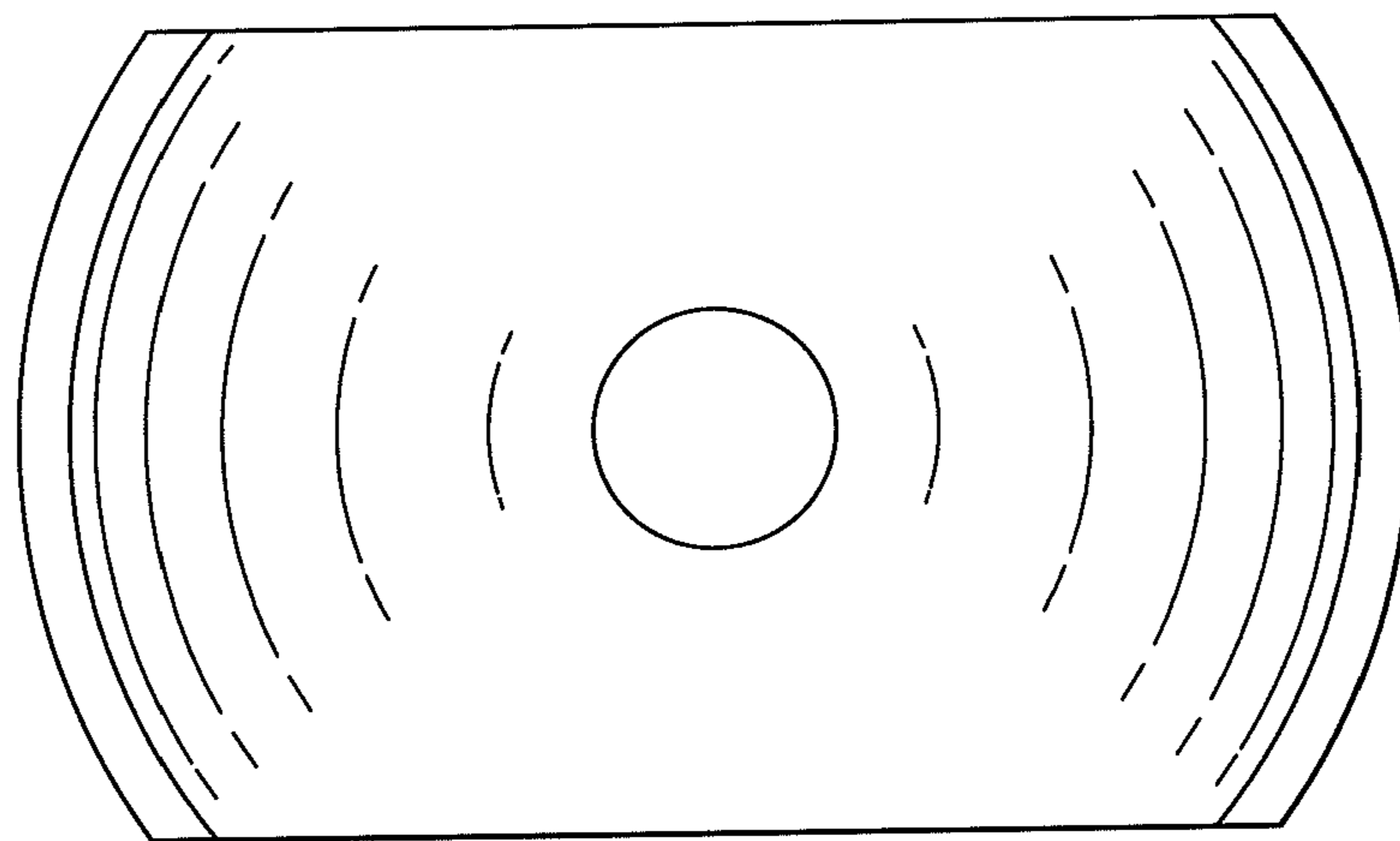


FIG. 4

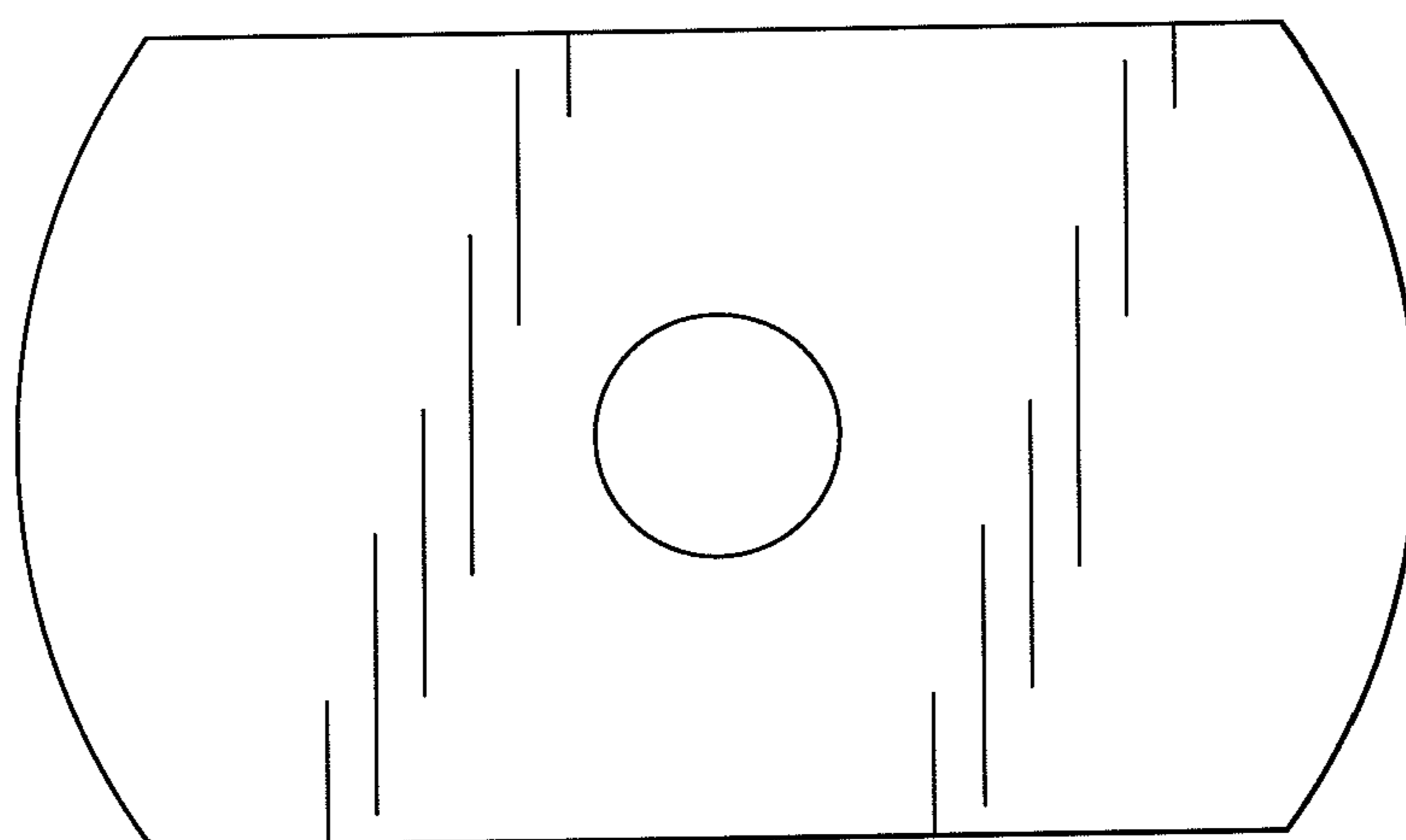


FIG. 5