



US00D679163S

(12) **United States Design Patent**
Kaps et al.

(10) **Patent No.:** **US D679,163 S**
(45) **Date of Patent:** **** Apr. 2, 2013**

- (54) **WIRE ROUTER BASE**
- (76) Inventors: **Thomas Kaps**, Jackson, NJ (US); **Paul Rosario**, Bayville, NJ (US)
- (**) Term: **14 Years**
- (21) Appl. No.: **29/414,623**
- (22) Filed: **Mar. 1, 2012**
- (51) **LOC (9) Cl.** **08-03**
- (52) **U.S. Cl.** **D8/70**
- (58) **Field of Classification Search** D8/70;
D13/130, 132, 133, 146; D22/119, 123;
211/69, 69.1, 6 R, 6 M; 248/176, 177, 187,
248/346; 439/352, 358, 502, 607-610, 680
See application file for complete search history.

- 7,128,296 B2 * 10/2006 Guadagna 244/155 A
- D563,186 S * 3/2008 Ahn D8/70
- D587,206 S * 2/2009 Wu et al. D13/146
- D587,288 S * 2/2009 Popov D15/126
- D607,819 S * 1/2010 Seil et al. D13/133
- D669,937 S * 10/2012 Lira-Nunez et al. D19/77

* cited by examiner

Primary Examiner — Philip S Hyder
Assistant Examiner — Darlington Ly
(74) *Attorney, Agent, or Firm* — Rene-Martin Oliveras

(57) **CLAIM**
The ornamental design for a wire router base, as shown and described.

DESCRIPTION

FIG. 1 is a perspective view of the wire router base.
FIG. 2 is a front view of the wire router base.
FIG. 3 is a top view of the wire router base; and,
FIG. 4 is a side view of the wire router base.
The broken lines illustrate portions of the wire router base that form no part of claimed design.

1 Claim, 3 Drawing Sheets

- (56) **References Cited**
- U.S. PATENT DOCUMENTS
- D137,633 S * 4/1944 Jacoson D15/126
- D210,207 S * 2/1968 De Lyon D13/146
- D255,771 S * 7/1980 Cruz D8/71
- D367,514 S * 2/1996 Grimes, Sr. D22/123
- D514,520 S * 2/2006 Bahramian D13/147

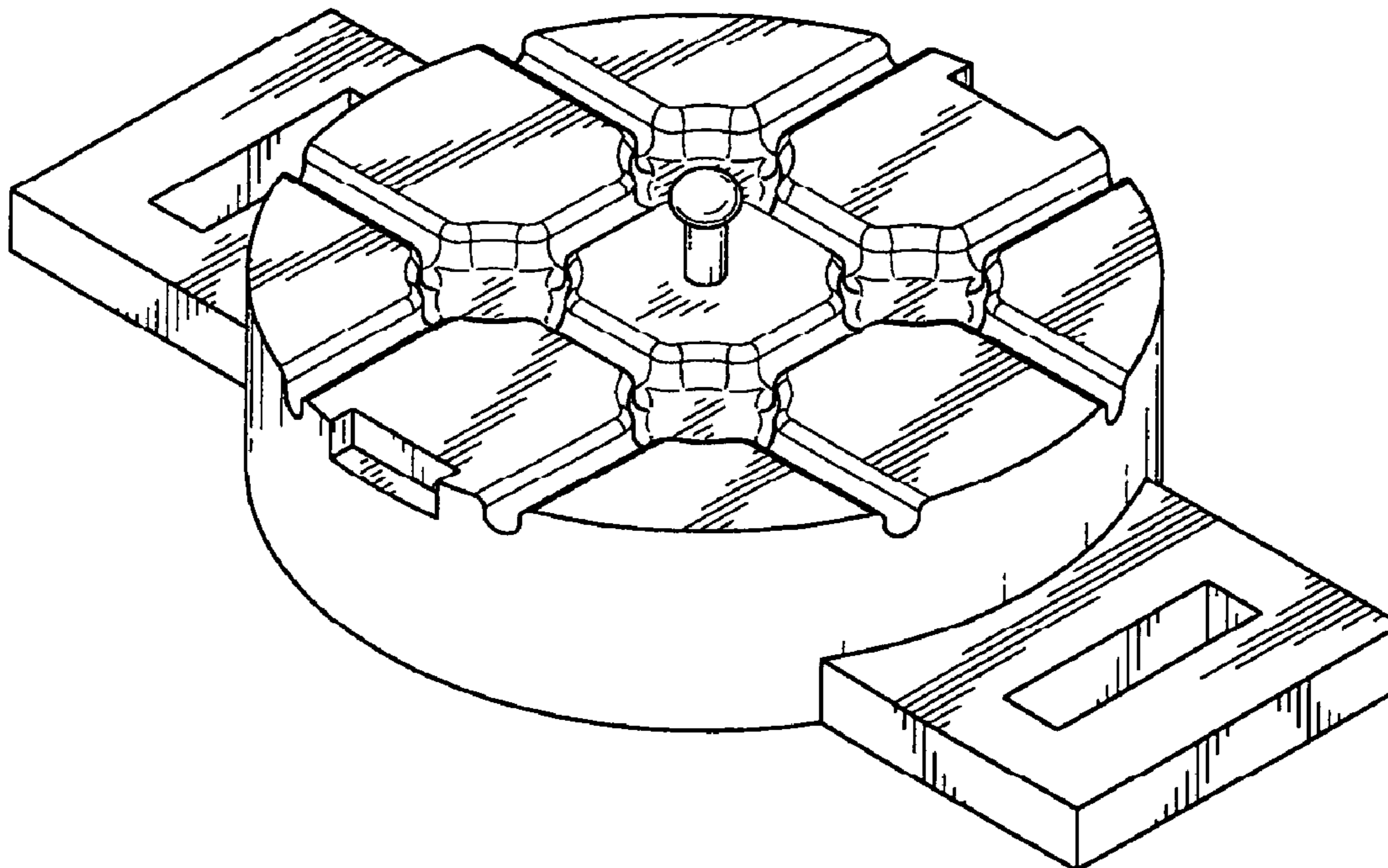


FIG. 1

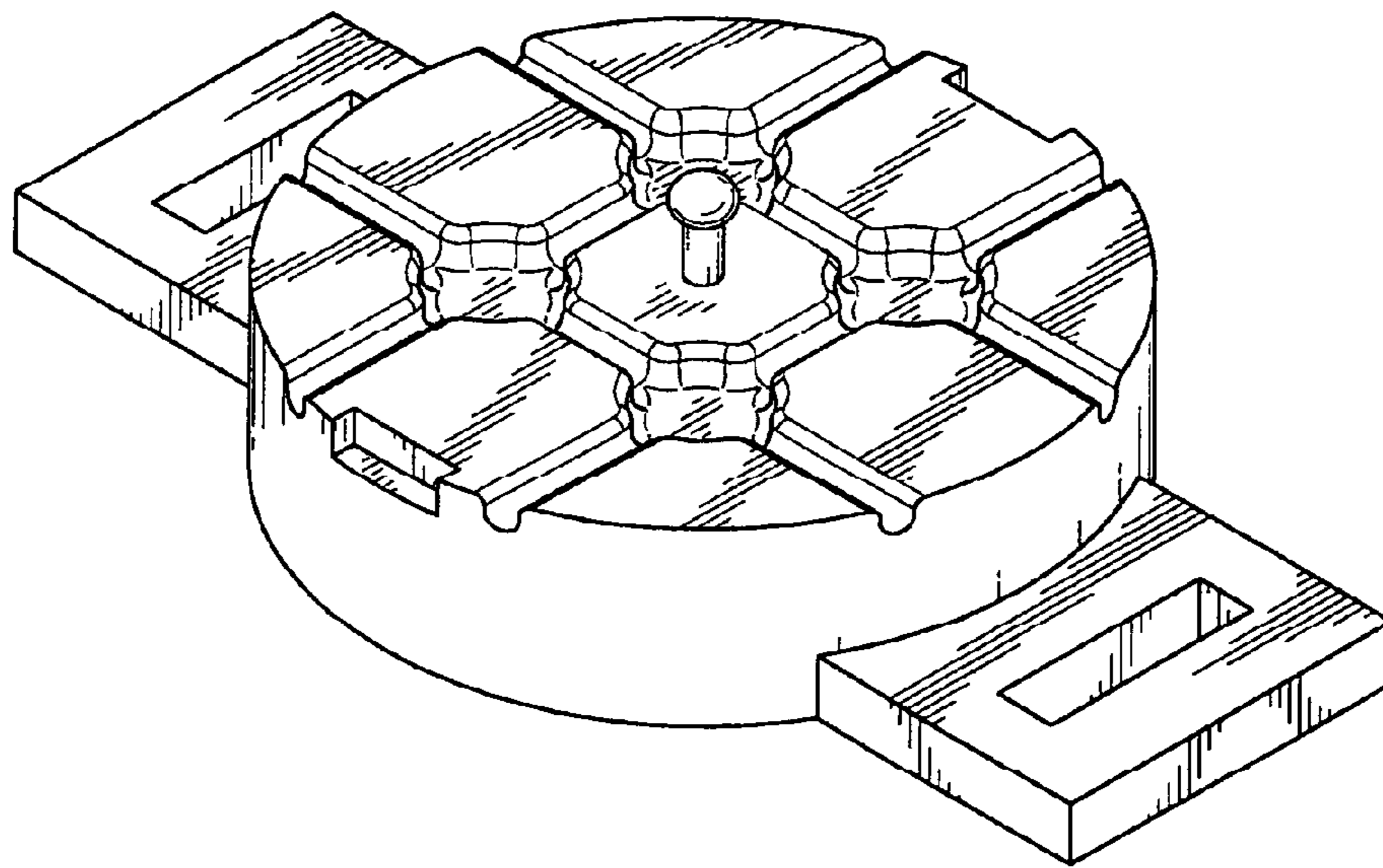


FIG. 2

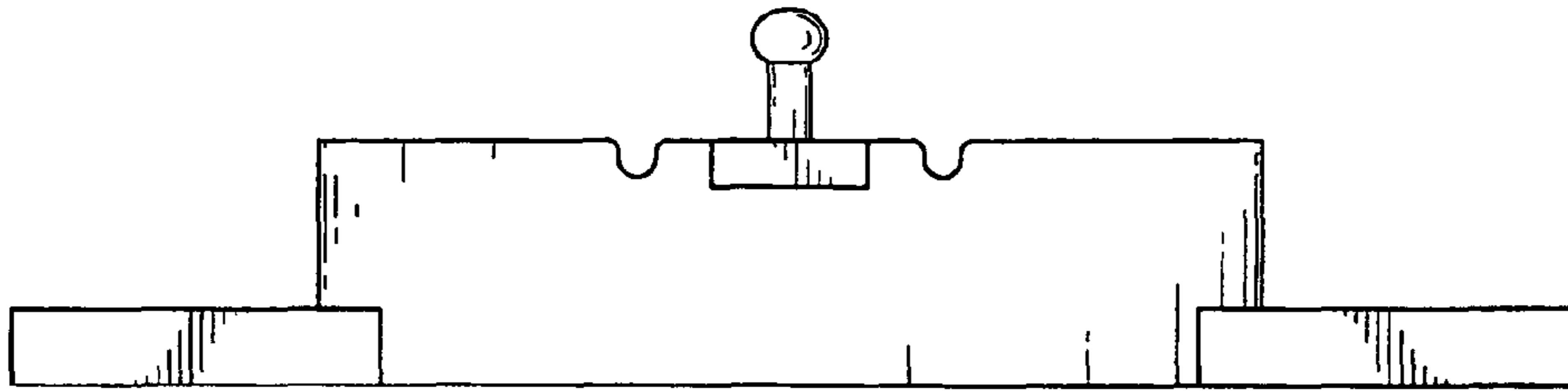


FIG. 3

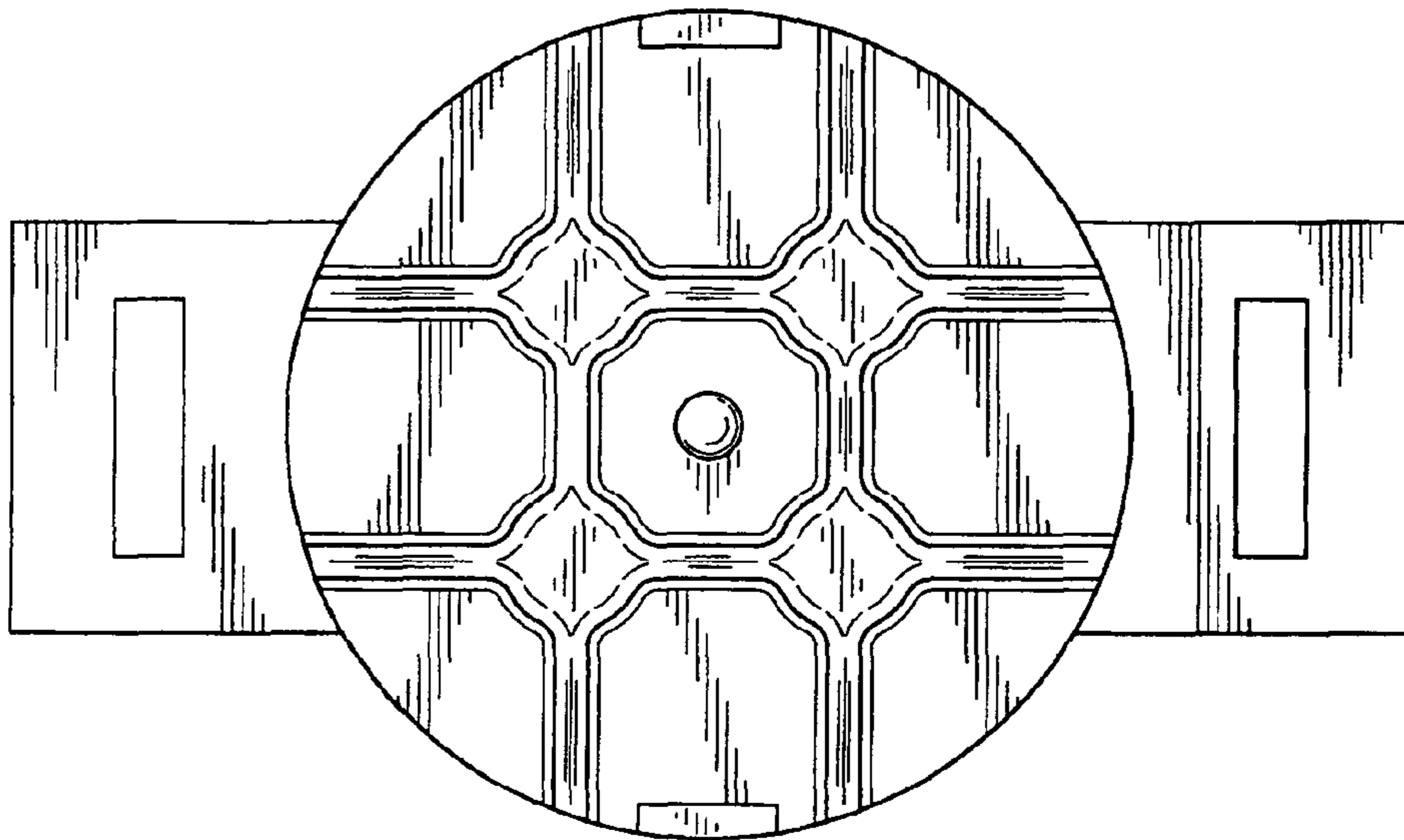


FIG. 4

