



US00D679161S

(12) **United States Design Patent**
Kawase et al.

(10) **Patent No.:** **US D679,161 S**

(45) **Date of Patent:** **** Apr. 2, 2013**

(54) **PORTABLE ELECTRIC DRIVER**

(75) Inventors: **Tomonori Kawase**, Anjo (JP); **Kazunori Hattori**, Anjo (JP); **Yasuhito Kawai**, Anjo (JP)

(73) Assignee: **Makita Corporation**, Anjo-shi (JP)

(**) Term: **14 Years**

(21) Appl. No.: **29/413,269**

(22) Filed: **Feb. 14, 2012**

(30) **Foreign Application Priority Data**

Sep. 6, 2011 (JP) 2011-020317

(51) **LOC (9) Cl.** **08-04**

(52) **U.S. Cl.** **D8/68; D8/61**

(58) **Field of Classification Search** D8/61,
D8/68; 173/46, 132, 170, 171, 178, 217;
475/149; 408/67, 117, 124, 125

See application file for complete search history.

(56) **References Cited**

U.S. PATENT DOCUMENTS

D484,385	S	*	12/2003	Sakai et al.	D8/68
D493,344	S	*	7/2004	Watson	D8/68
D512,891	S	*	12/2005	Aglassinger	D8/68
D514,910	S	*	2/2006	Nagasaka et al.	D8/68
D519,808	S	*	5/2006	Otsuka et al.	D8/68
D520,834	S	*	5/2006	Furuta et al.	D8/68
D525,099	S	*	7/2006	Nagasaka et al.	D8/68
D554,962	S	*	11/2007	Ino	D8/68
D562,663	S	*	2/2008	Wang	D8/68
D567,615	S	*	4/2008	Taniguchi et al.	D8/68
D577,558	S	*	9/2008	Taniguchi et al.	D8/68
D584,123	S	*	1/2009	Lopano	D8/68
D585,716	S	*	2/2009	Taniguchi et al.	D8/68
D605,490	S	*	12/2009	Aglassinger	D8/68
D606,376	S	*	12/2009	Okuda et al.	D8/68
D610,421	S	*	2/2010	Taniguchi et al.	D8/68
D614,468	S	*	4/2010	Aglassinger	D8/68
8,075,155	B2	*	12/2011	Watanabe et al.	362/119
8,113,297	B2	*	2/2012	Sakakibara et al.	173/170
D656,804	S	*	4/2012	Murray	D8/68

8,167,056	B2	*	5/2012	Ito et al.	173/171
D672,627	S	*	12/2012	Kawase et al.	D8/68
2007/0056760	A1	*	3/2007	Yoshimizu et al.	173/217
2012/0043102	A1	*	2/2012	Okuda	173/217
2012/0061117	A1	*	3/2012	Nagasaka et al.	173/217
2012/0199372	A1	*	8/2012	Nishikawa et al.	173/132

FOREIGN PATENT DOCUMENTS

EM 001816984-0001 A1 8/2011

* cited by examiner

Primary Examiner — Philip S Hyder

Assistant Examiner — John T Applewhite

(74) *Attorney, Agent, or Firm* — Global IP Counselors, LLP

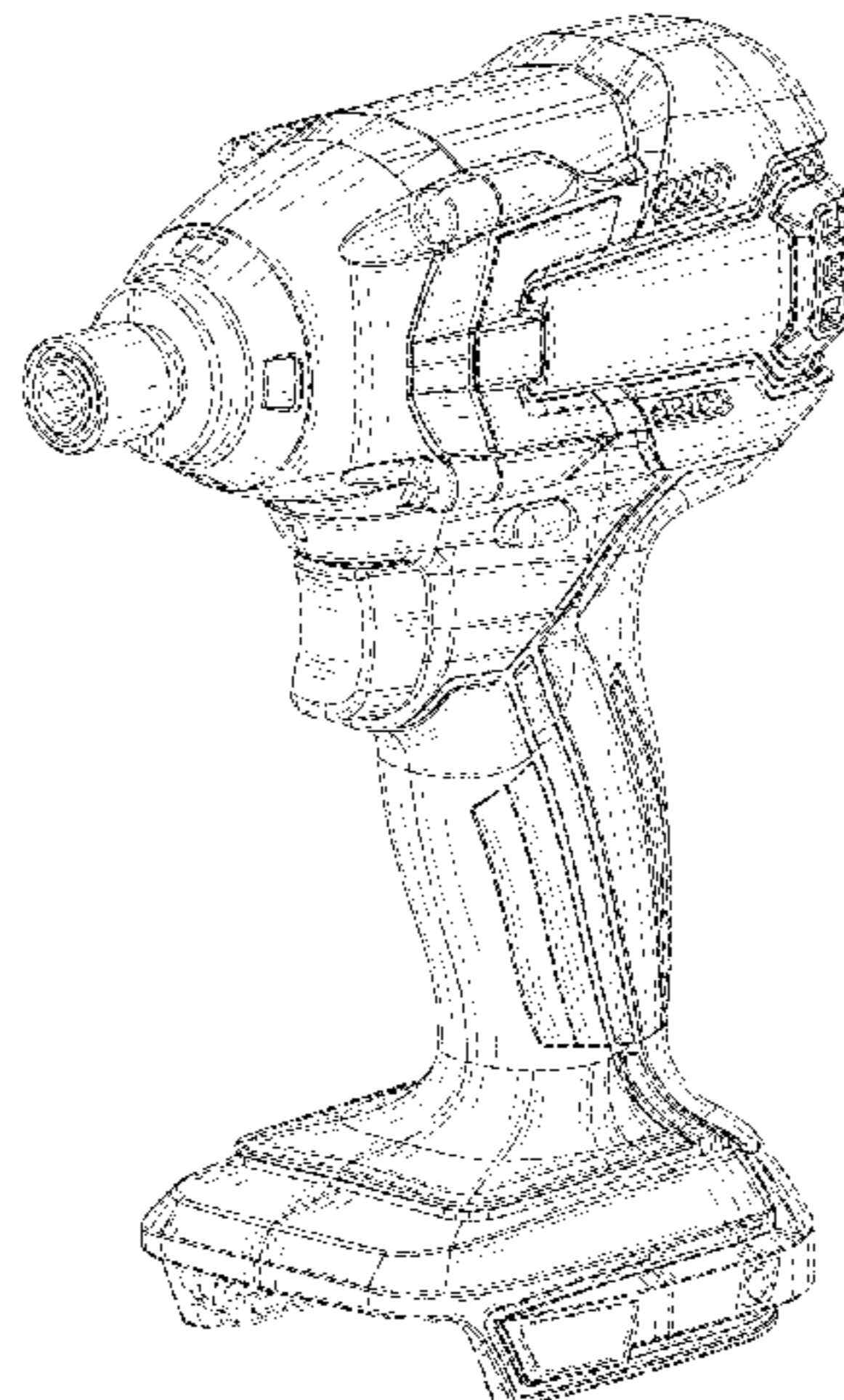
(57) **CLAIM**

The ornamental design for a portable electric driver, as shown and described.

DESCRIPTION

FIG. 1 is a front perspective view of a portable electric driver in accordance with our new design;
 FIG. 2 is a rear perspective view of the portable electric driver in accordance with our new design;
 FIG. 3 is a front elevational view of the portable electric driver in accordance with our new design;
 FIG. 4 is a rear elevational view of the portable electric driver in accordance with our new design;
 FIG. 5 is a top plan view of the portable electric driver in accordance with our new design;
 FIG. 6 is a bottom plan view of the portable electric driver in accordance with our new design;
 FIG. 7 is a right side elevational view of the portable electric driver in accordance with our new design;
 FIG. 8 is a left side elevational view of the portable electric driver in accordance with our new design; and,
 FIG. 9 is a front perspective view of the portable electric driver in accordance with our new design illustrating a state in which a battery is attached to the portable electric driver.
 The broken line showing of environment in FIGS. 1-6, 8 and 9 is for illustrative purposes only and forms no part of the claimed design.

1 Claim, 9 Drawing Sheets



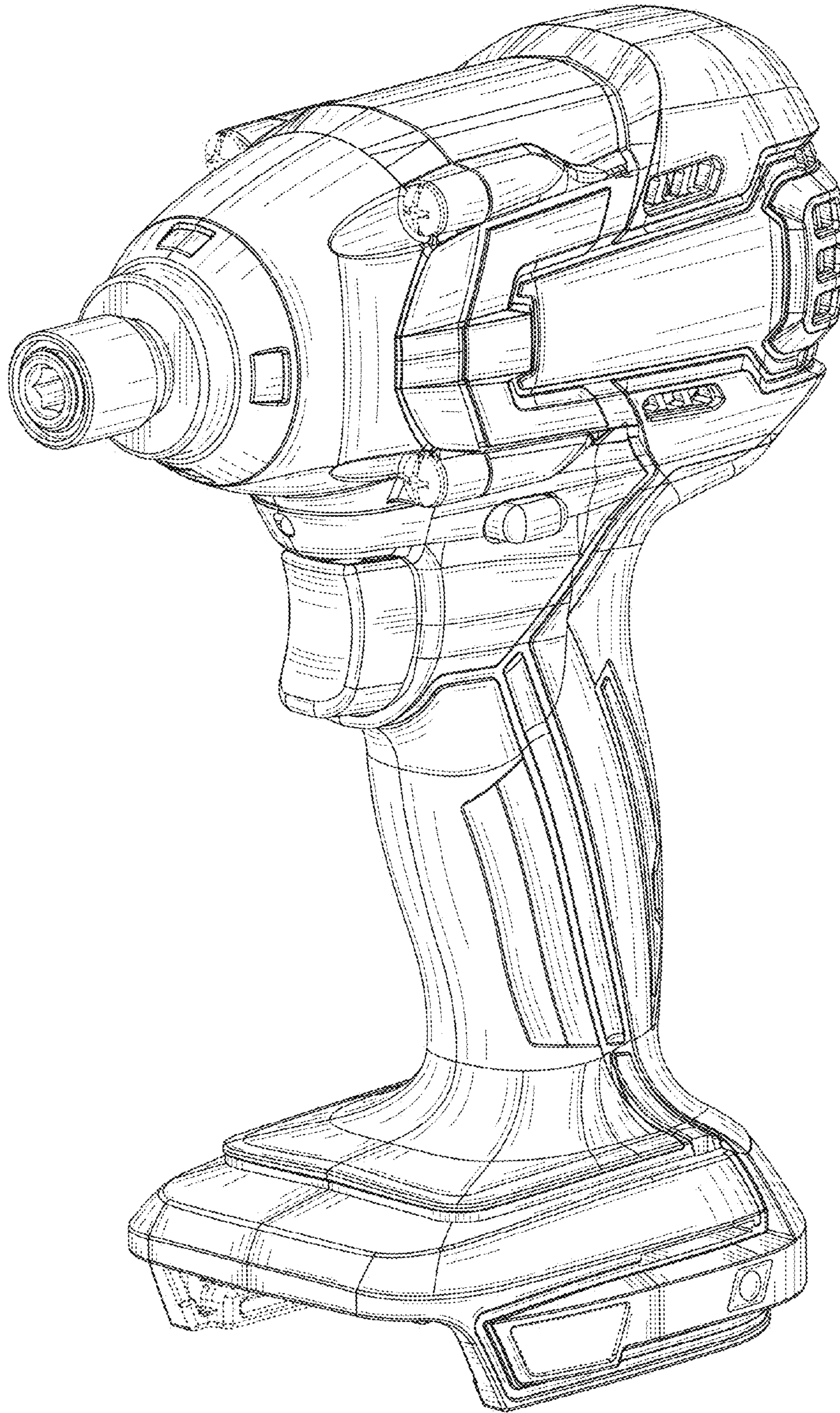


FIG. 1

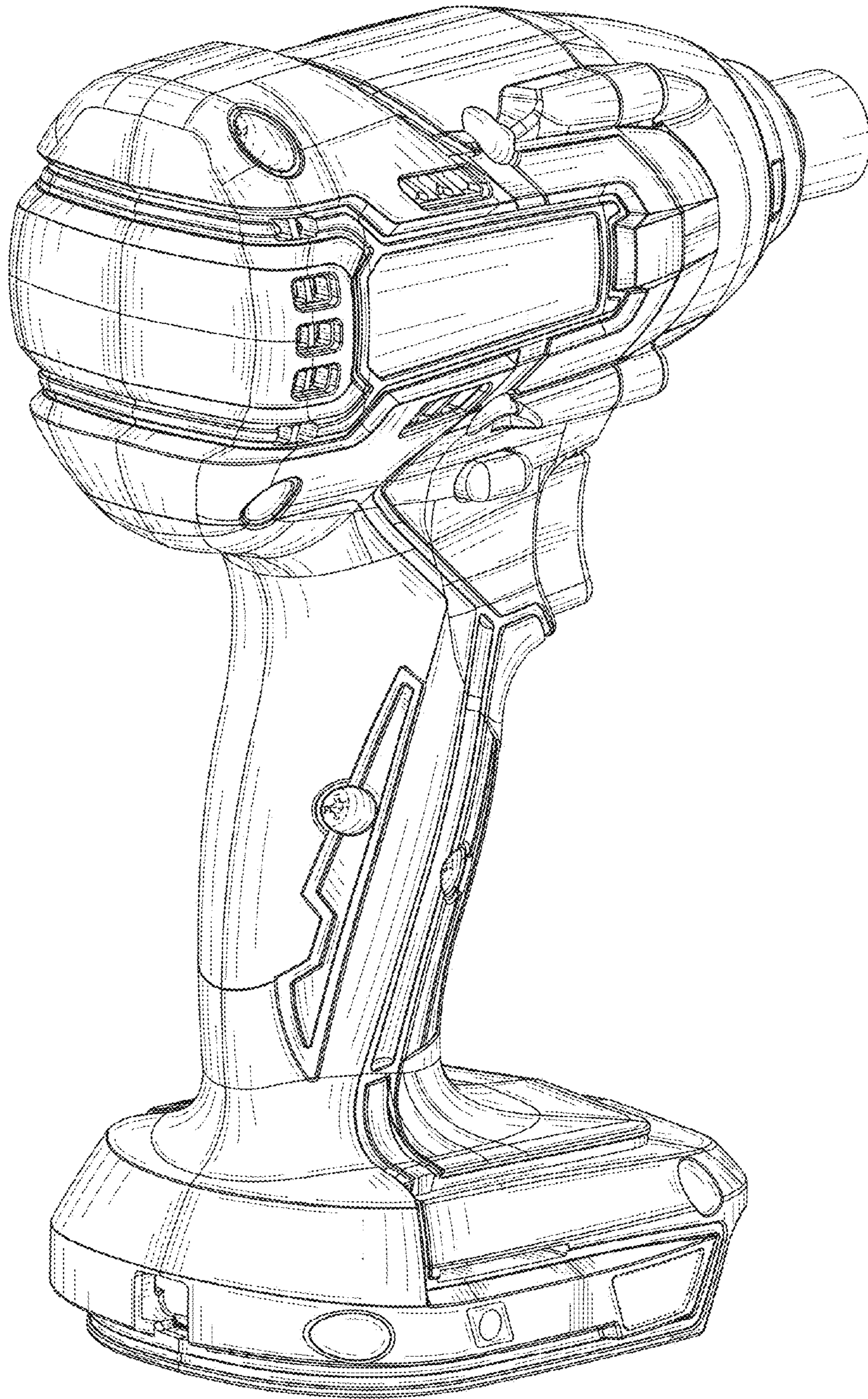


FIG. 2

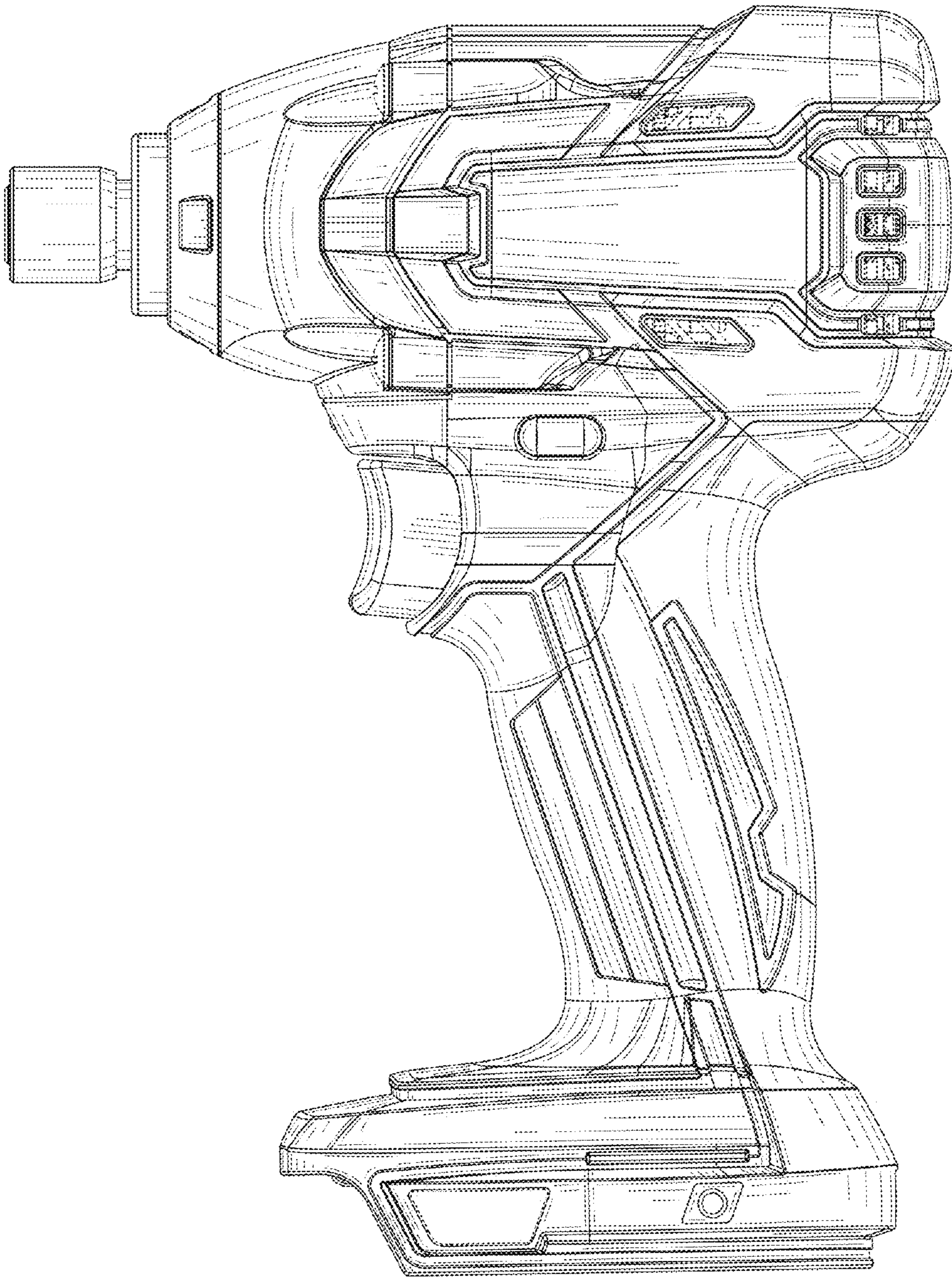


FIG. 3

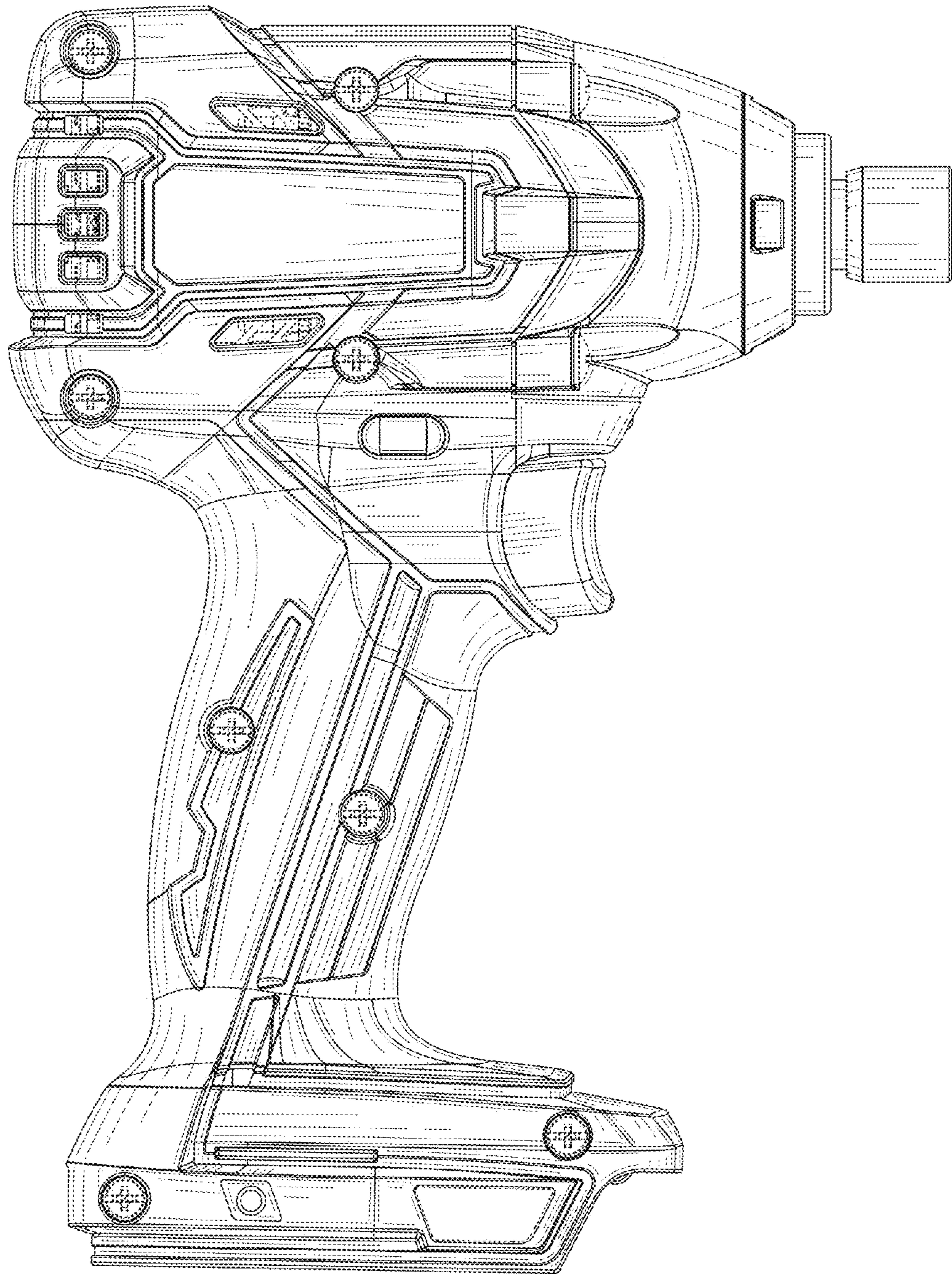


FIG. 4

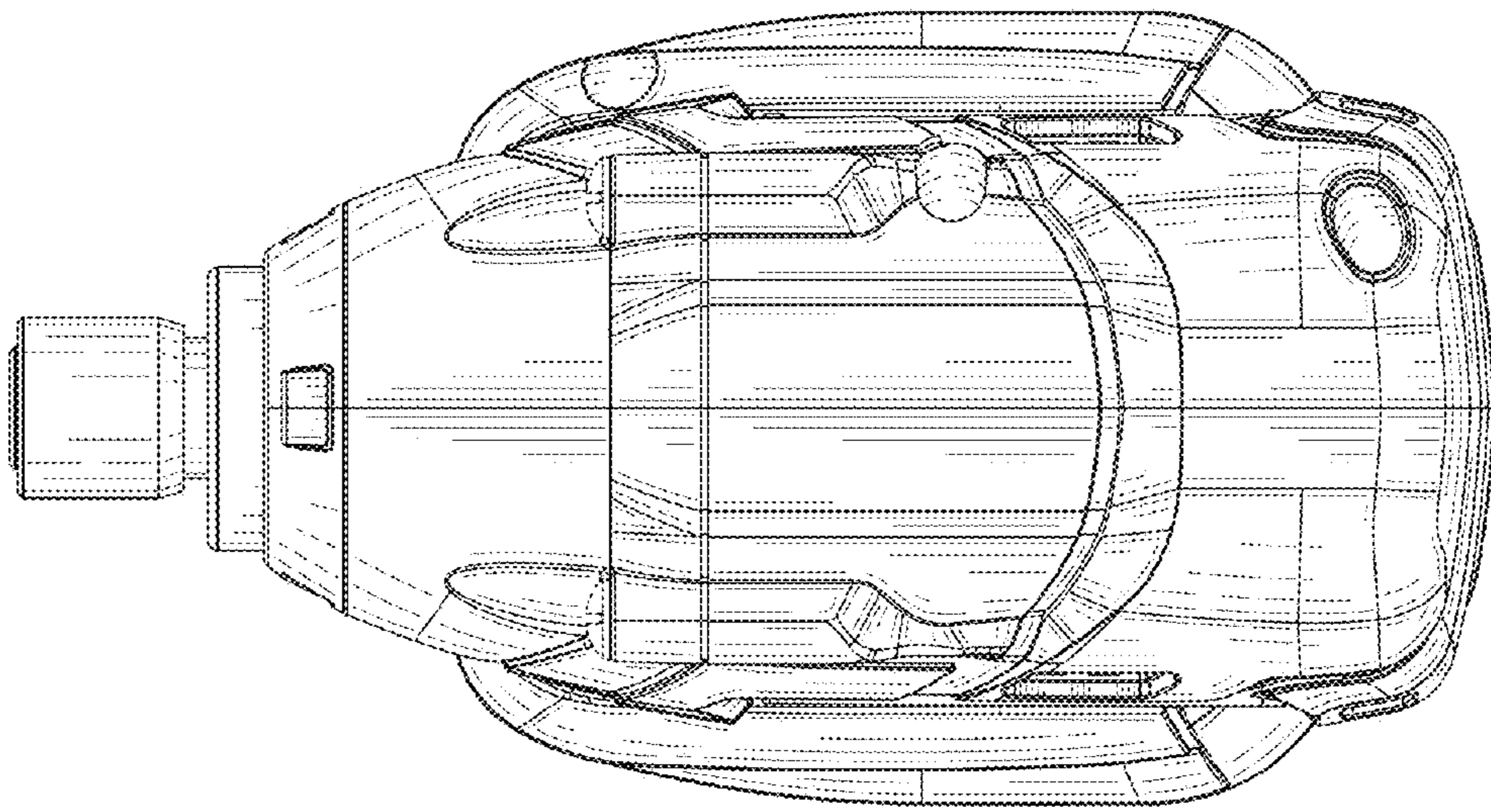


FIG. 5

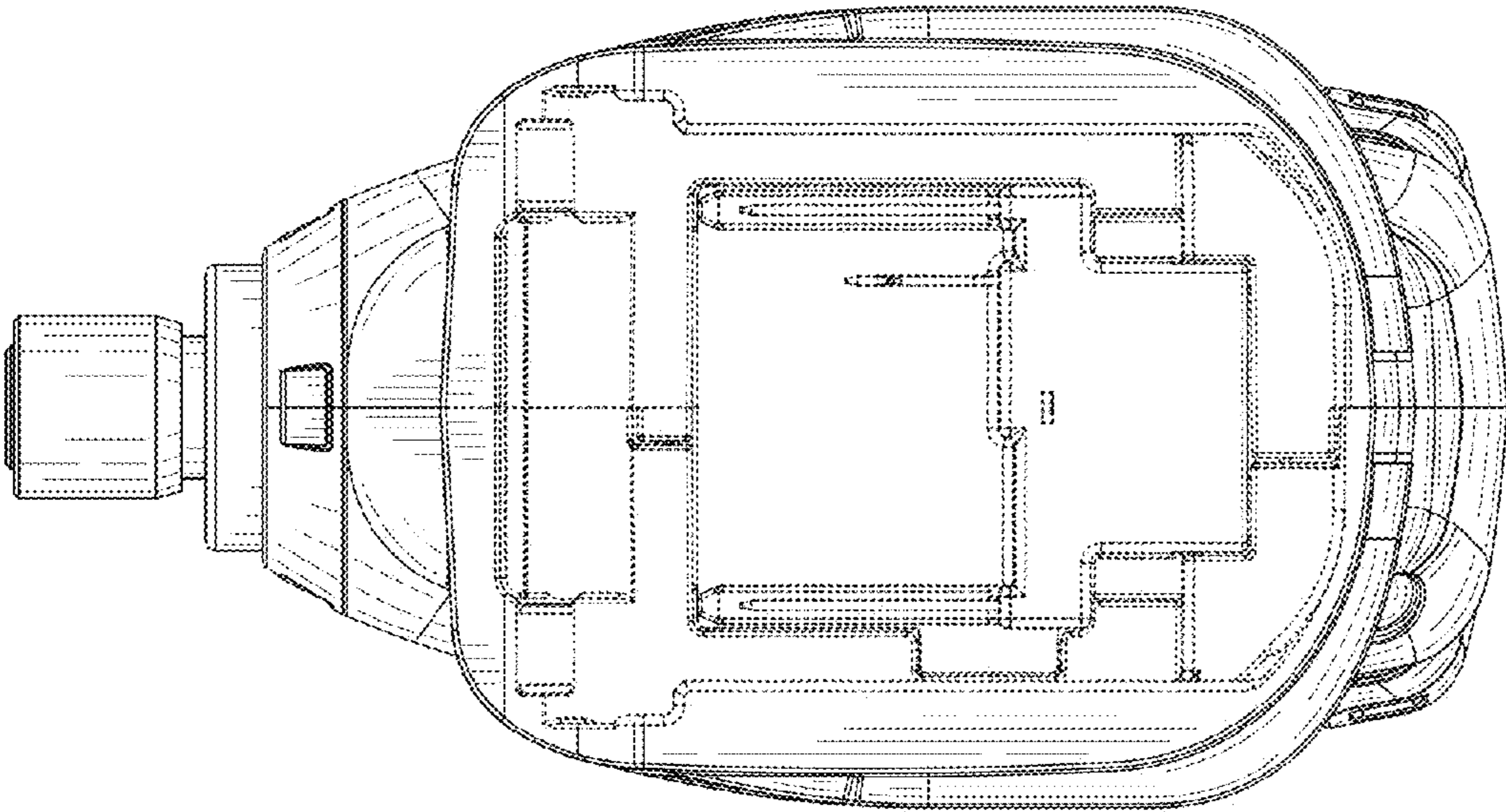


FIG. 6

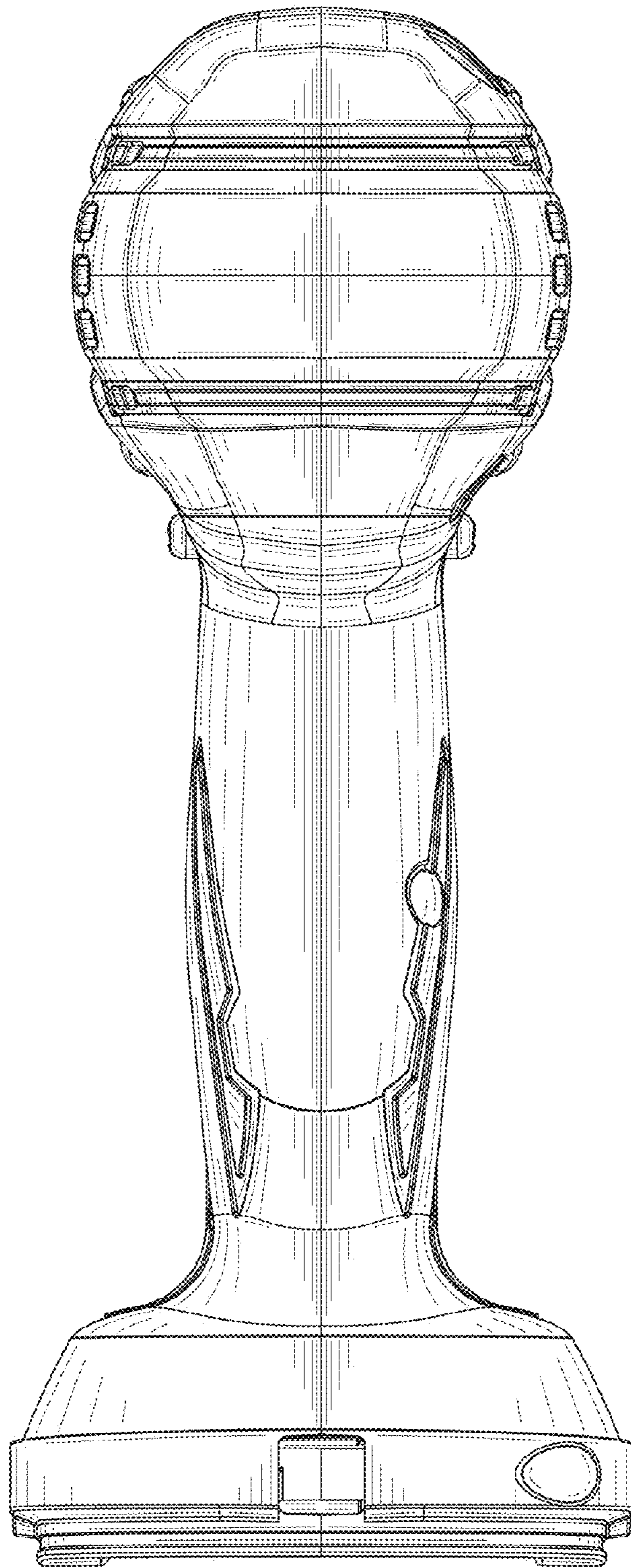


FIG. 7

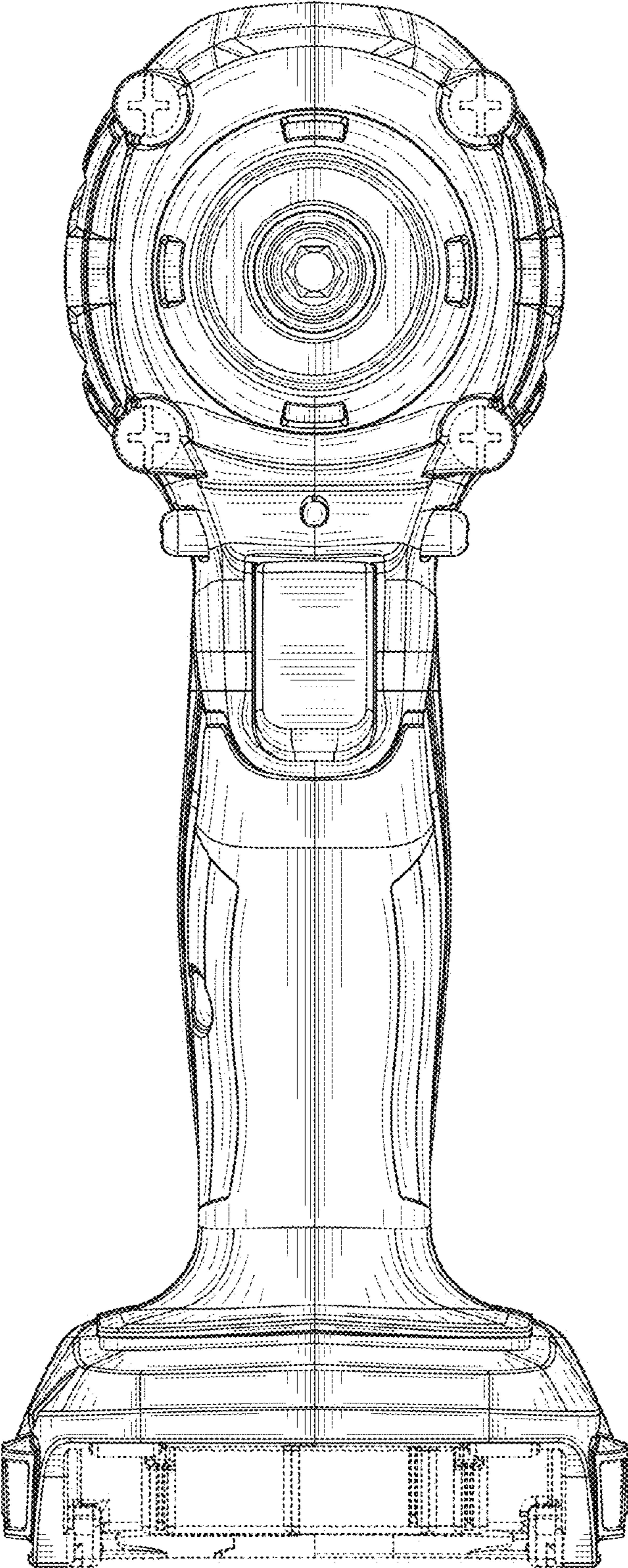


FIG. 8

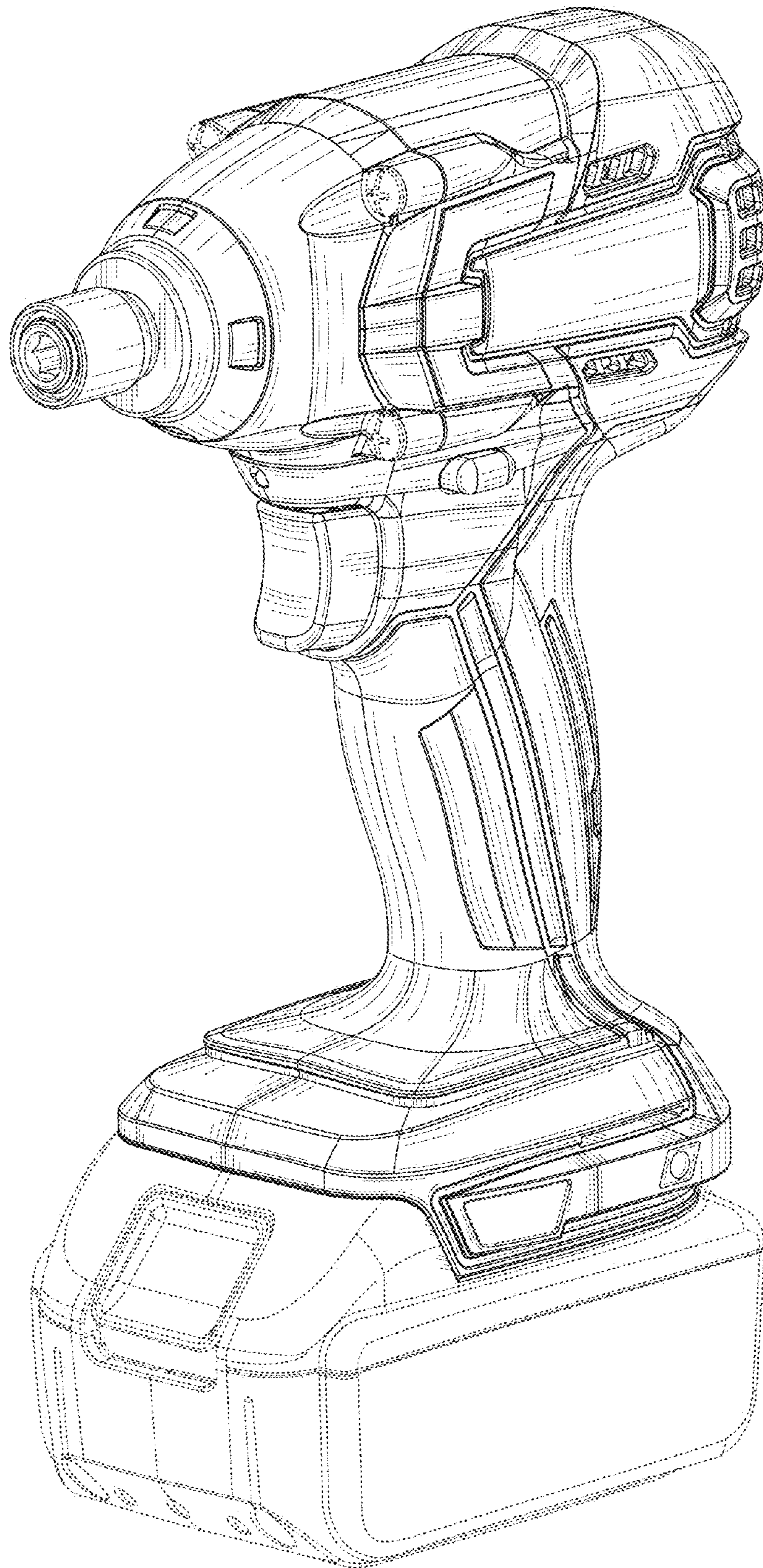


FIG. 9