



US00D679160S

(12) **United States Design Patent**
Okuda et al.

(10) **Patent No.:** **US D679,160 S**

(45) **Date of Patent:** **** Apr. 2, 2013**

- (54) **PORTABLE ELECTRIC DRIVER**
- (75) Inventors: **Shinsuke Okuda**, Anjo (JP);
Ryunosuke Kumagai, Anjo (JP)
- (73) Assignee: **Makita Corporation**, Anjo-shi (JP)
- (**) Term: **14 Years**
- (21) Appl. No.: **29/385,976**
- (22) Filed: **Feb. 23, 2011**

D615,379	S	*	5/2010	Aglassinger	D8/68
D644,494	S	*	9/2011	Lopano	D8/68
2011/0139479	A1	*	6/2011	Nagasaka et al.	173/217
2011/0227430	A1	*	9/2011	Omori et al.	310/50
2012/0043102	A1	*	2/2012	Okuda	173/217
2012/0061117	A1	*	3/2012	Nagasaka et al.	173/217
2012/0085560	A1	*	4/2012	Kuroyanagi et al.	173/46
2012/0200181	A1	*	8/2012	Yoshida et al.	310/50

* cited by examiner

Primary Examiner — Antoine D Davis

(74) *Attorney, Agent, or Firm* — Global IP Counselors, LLP

(30) **Foreign Application Priority Data**

Nov. 26, 2010 (JP) 2010-028281

- (51) **LOC (9) Cl.** **08-04**
- (52) **U.S. Cl.** **D8/68**
- (58) **Field of Classification Search** D8/61–70;
81/57.11, 429, 454–456, 469, 489; 173/13,
173/46, 104, 114, 178, 201, 211, 213, 214,
173/217, 198; 227/8, 113, 114, 120, 130,
227/136, 142; 310/50; 408/20, 35, 117,
408/124, 125, 234, 241 R, 58, 67; 451/358;
7/158, 165

See application file for complete search history.

(56) **References Cited**

U.S. PATENT DOCUMENTS

D503,879	S	*	4/2005	Watson	D8/68
D525,099	S	*	7/2006	Nagasaka et al.	D8/68
D567,615	S	*	4/2008	Taniguchi et al.	D8/68
D578,854	S	*	10/2008	Lopano	D8/68
D579,743	S	*	11/2008	Lopano	D8/68
D584,123	S	*	1/2009	Lopano	D8/68
D585,714	S	*	2/2009	Okuda et al.	D8/68
D585,715	S	*	2/2009	Okuda et al.	D8/68
D585,716	S	*	2/2009	Taniguchi et al.	D8/68
D605,490	S	*	12/2009	Aglassinger	D8/68
D606,376	S	*	12/2009	Okuda et al.	D8/68
D610,421	S	*	2/2010	Taniguchi et al.	D8/68

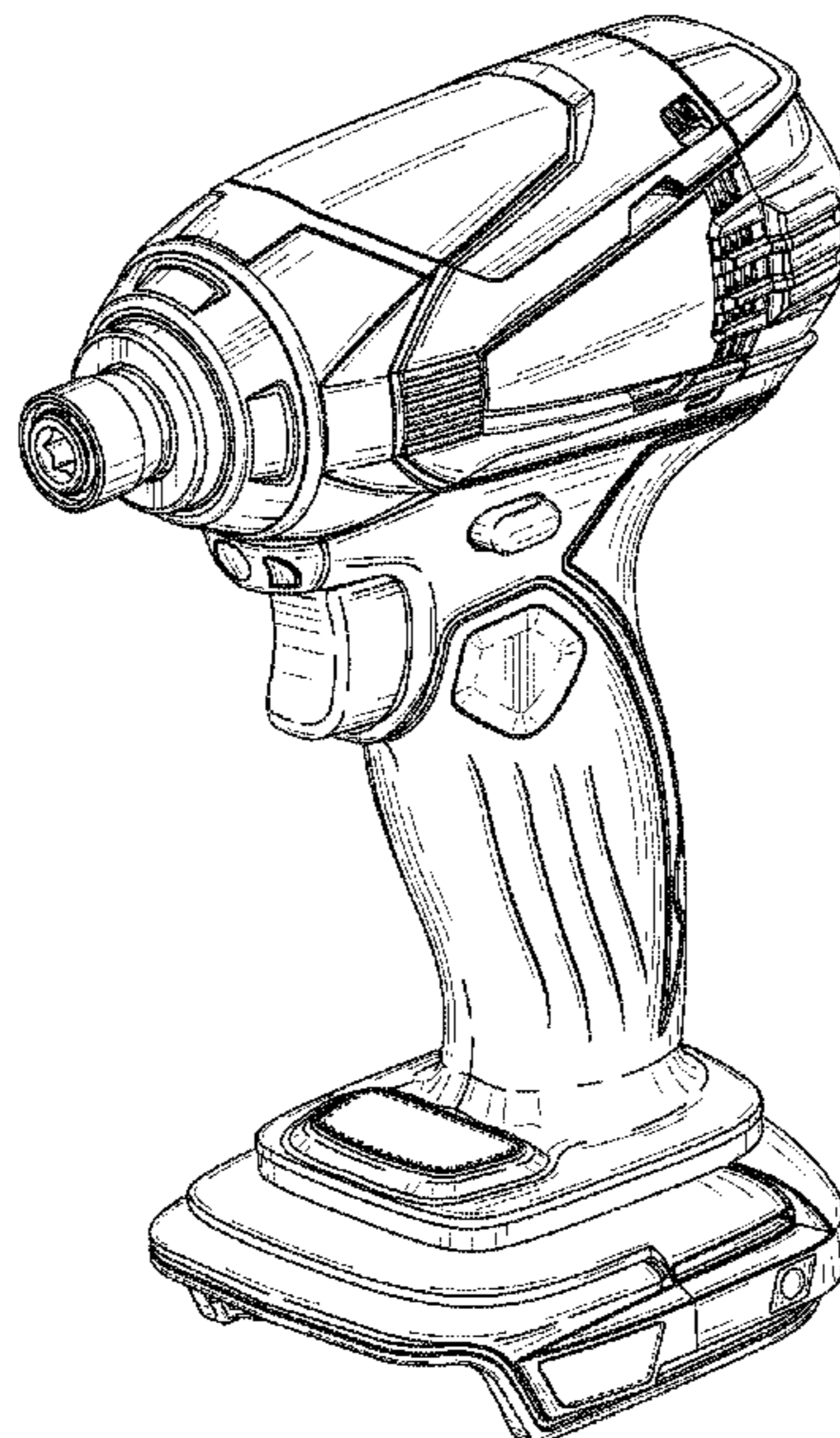
(57) **CLAIM**

The ornamental design for a portable electric driver, as shown and described.

DESCRIPTION

FIG. 1 is a perspective view of a portable electric driver in accordance with our new design;
 FIG. 2 is a left side elevational view of the portable electric driver in accordance with our new design;
 FIG. 3 is a right side elevational view of the portable electric driver in accordance with our new design;
 FIG. 4 is a front elevational view of the portable electric driver in accordance with our new design;
 FIG. 5 is a rear elevational view of the portable electric driver in accordance with our new design;
 FIG. 6 is a top plan view of the portable electric driver in accordance with our new design;
 FIG. 7 is a bottom plan view of the portable electric driver in accordance with our new design; and,
 FIG. 8 is a perspective view of the portable electric driver in accordance with our new design illustrating a state in which a battery is attached to the portable electric driver.
 The broken line showing of environment in FIGS. 1-8 is for illustrative purposes only and forms no part of the claimed design.

1 Claim, 7 Drawing Sheets



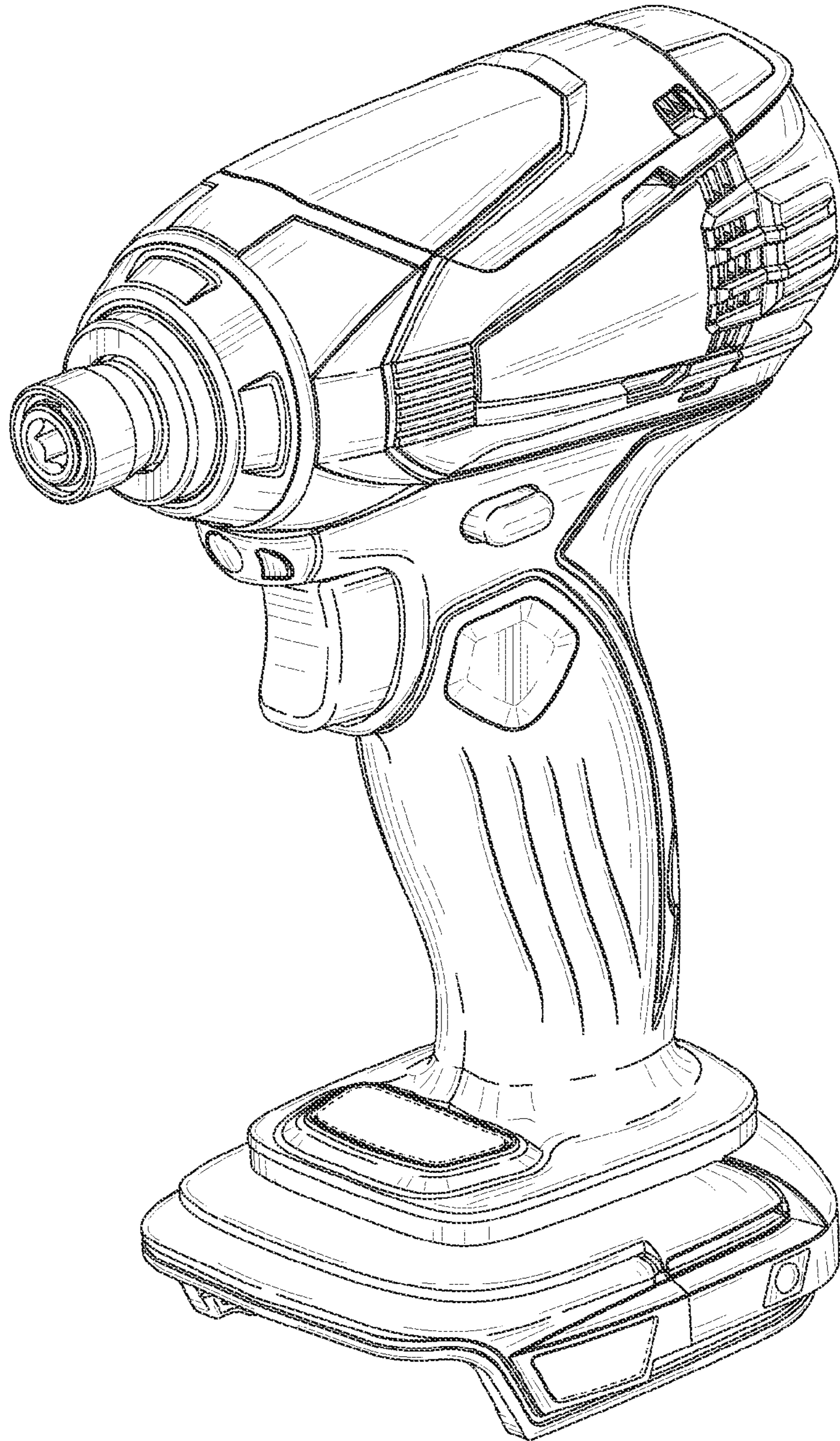


FIG. 1

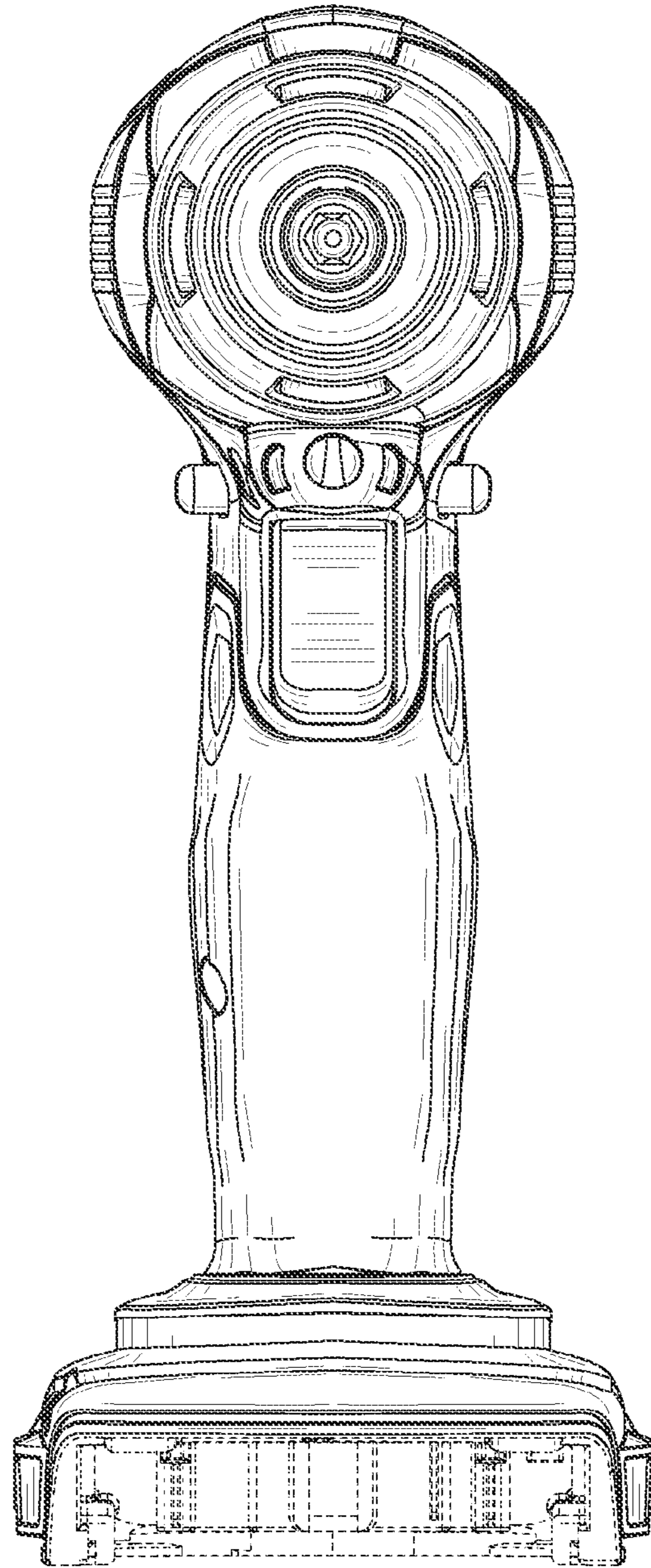


FIG. 2

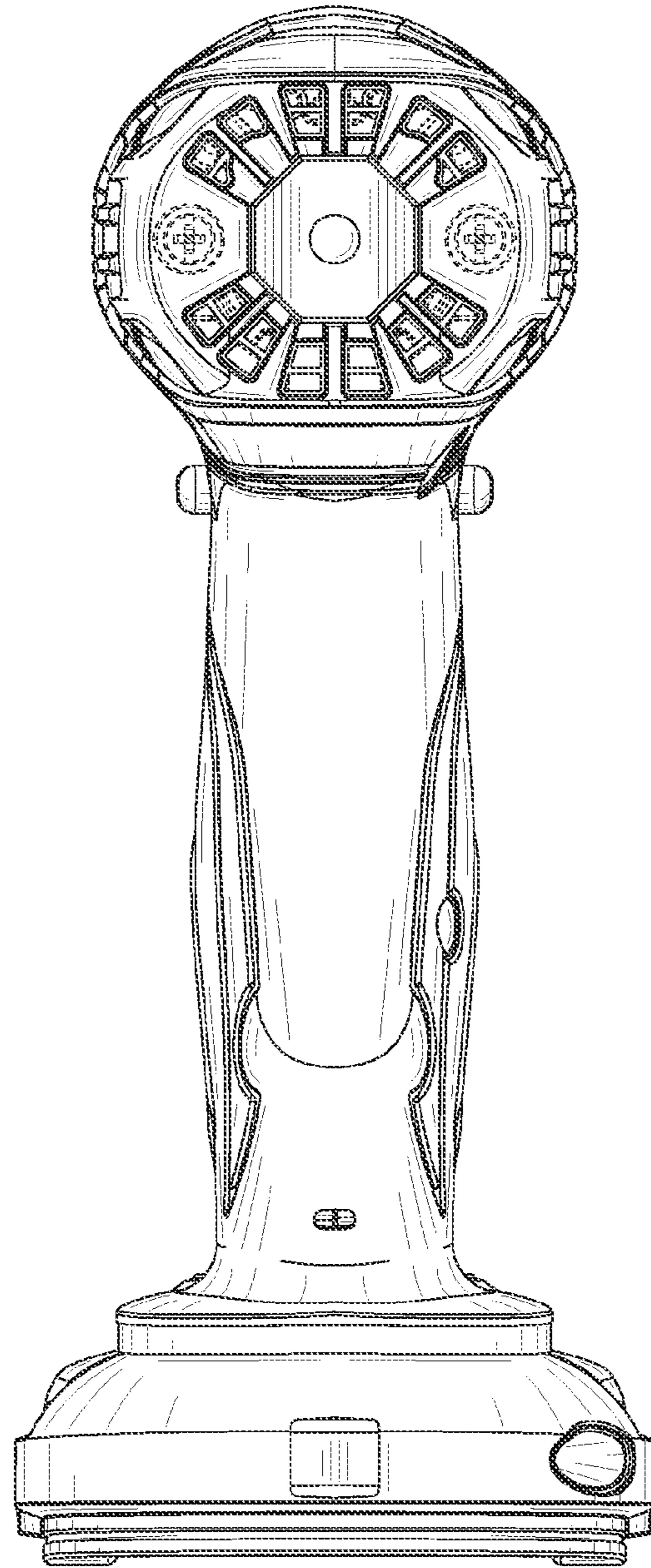


FIG. 3

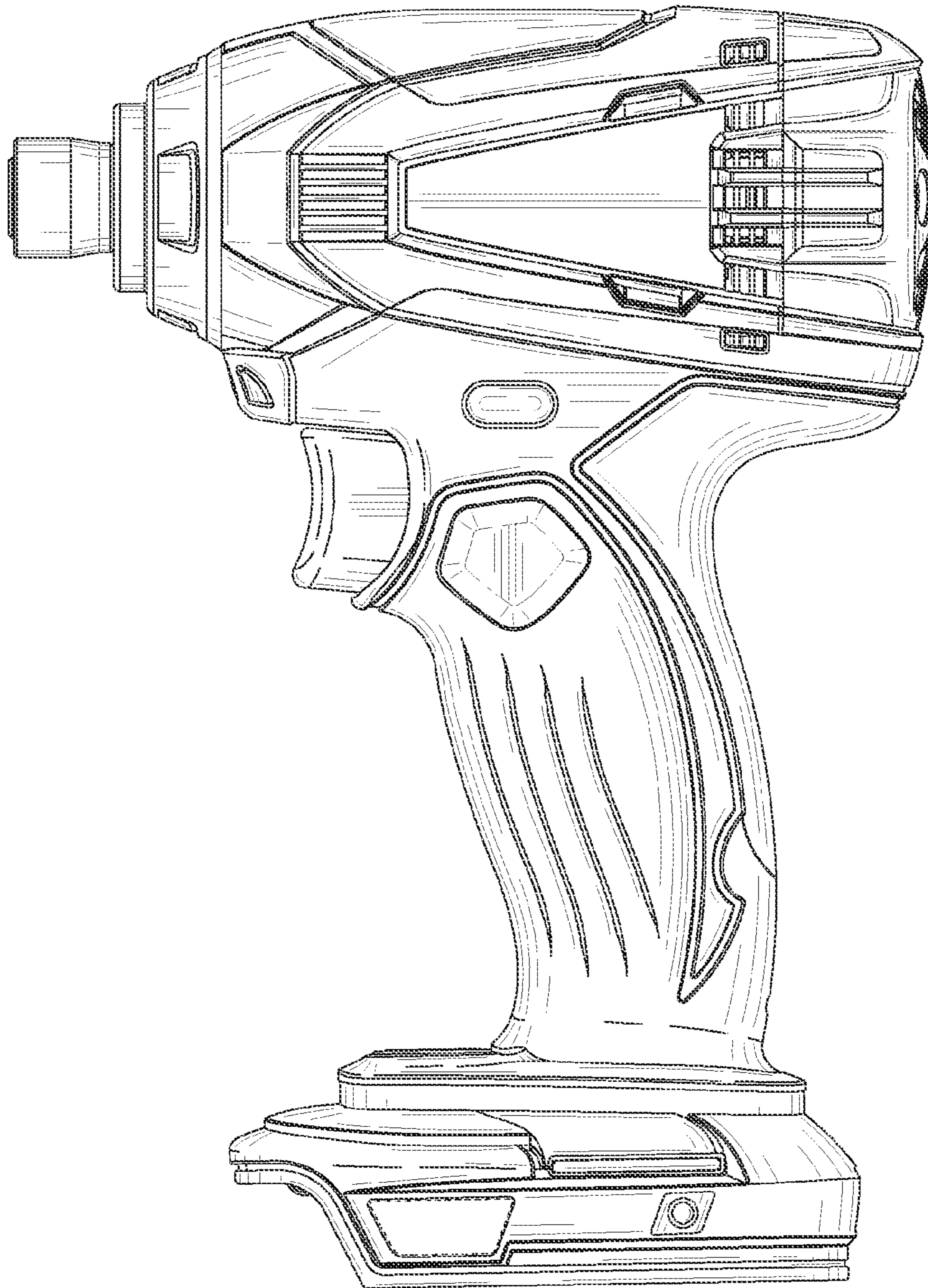


FIG. 4

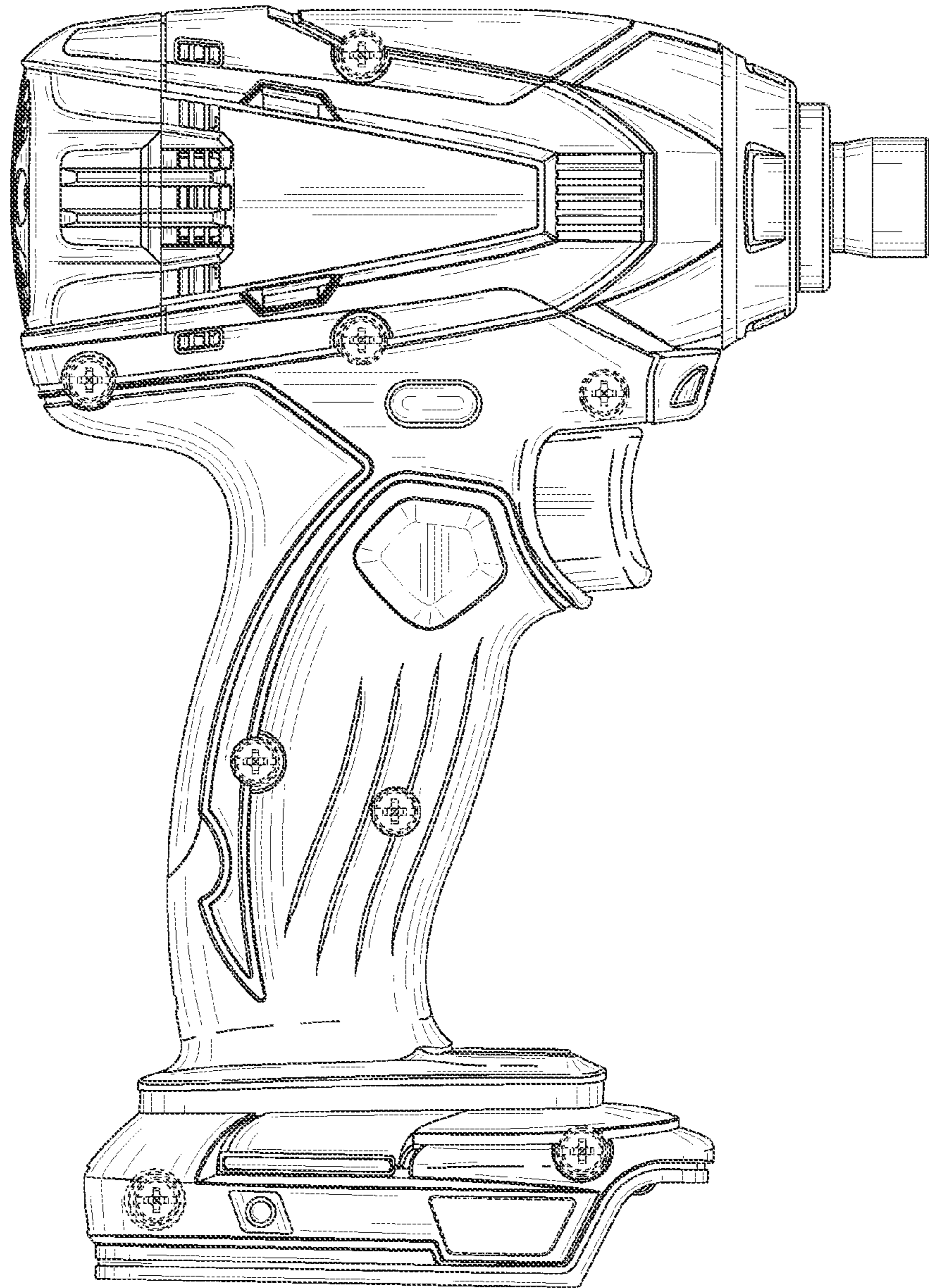


FIG. 5

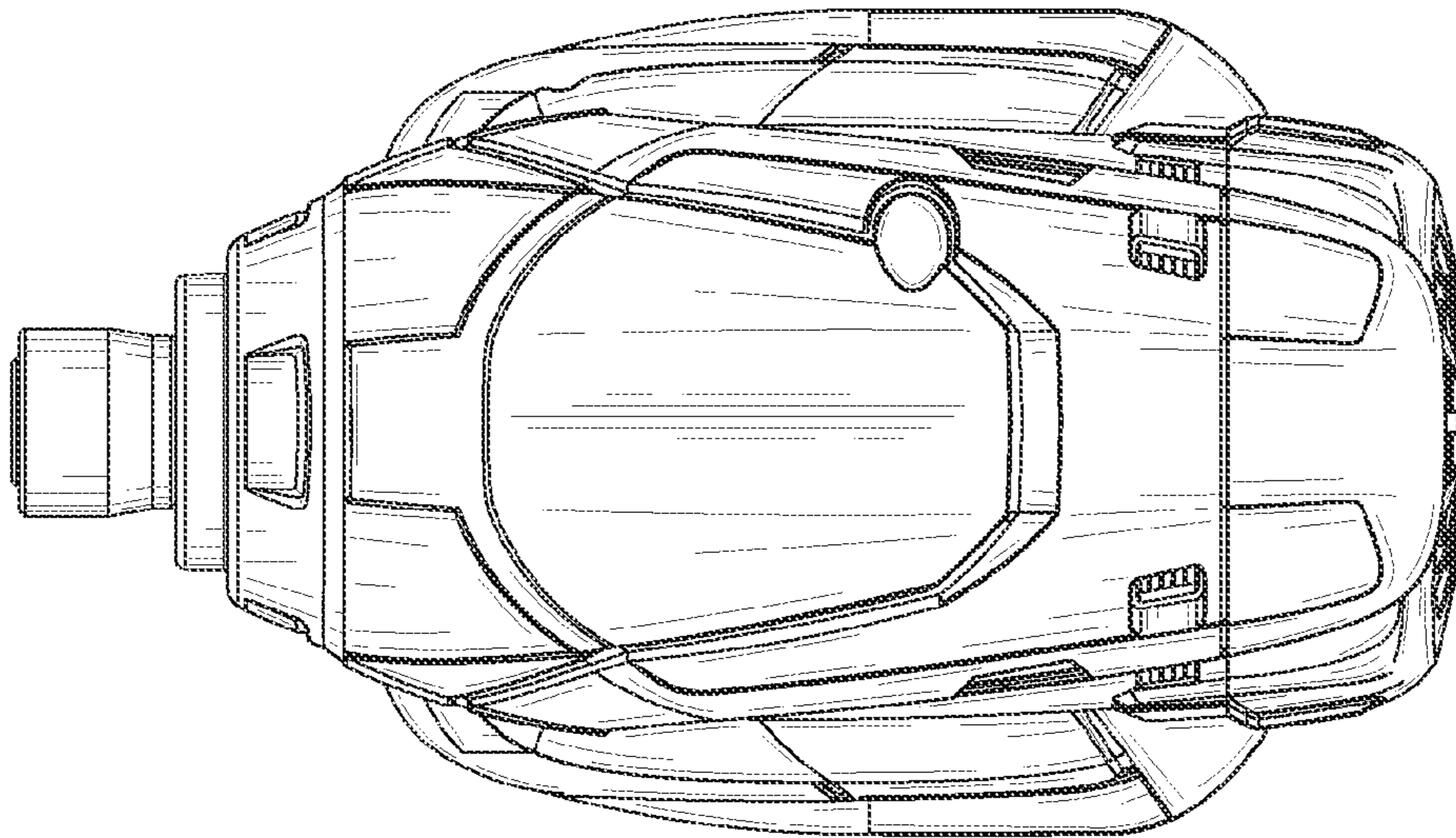


FIG. 6

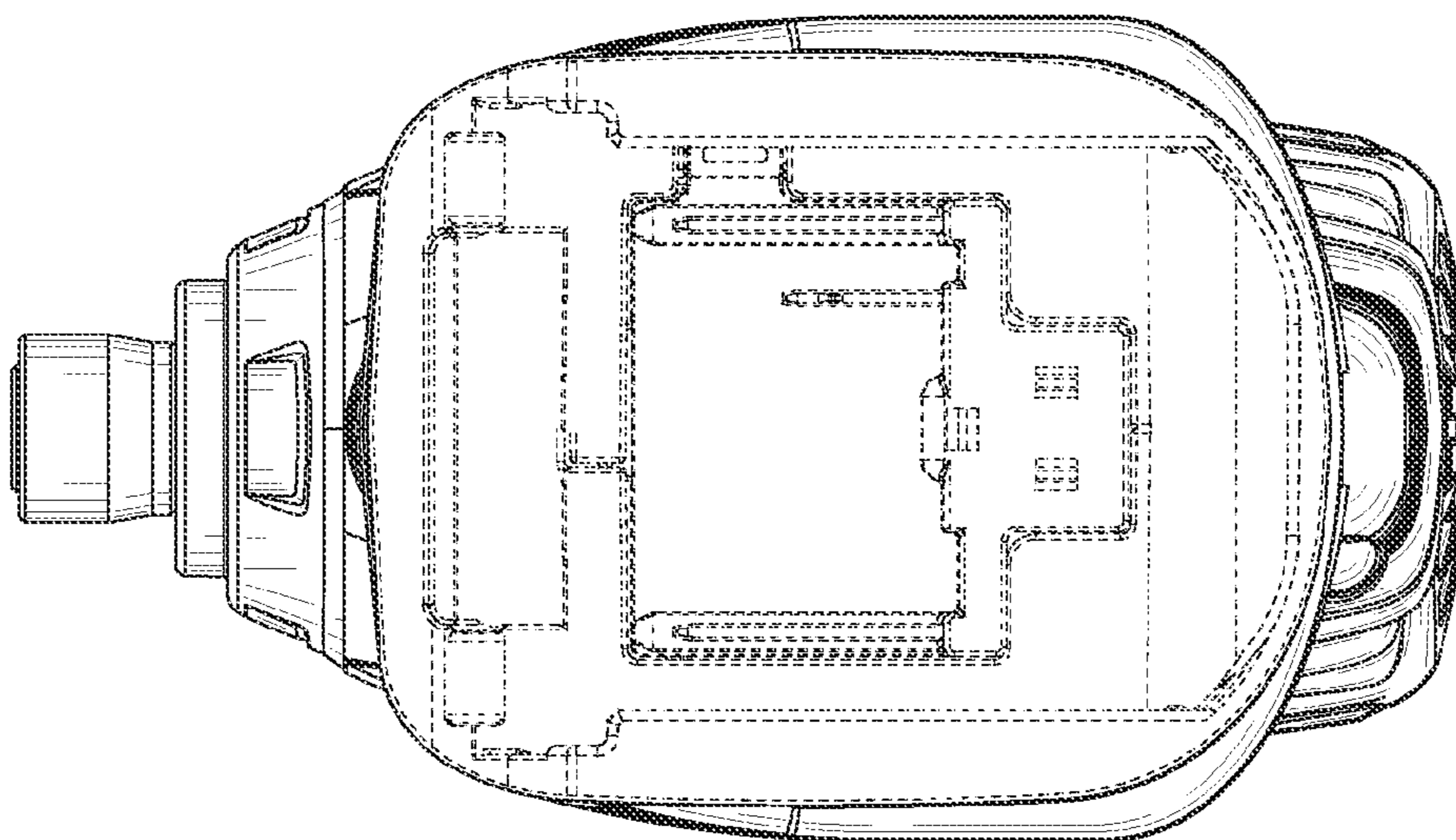


FIG. 7

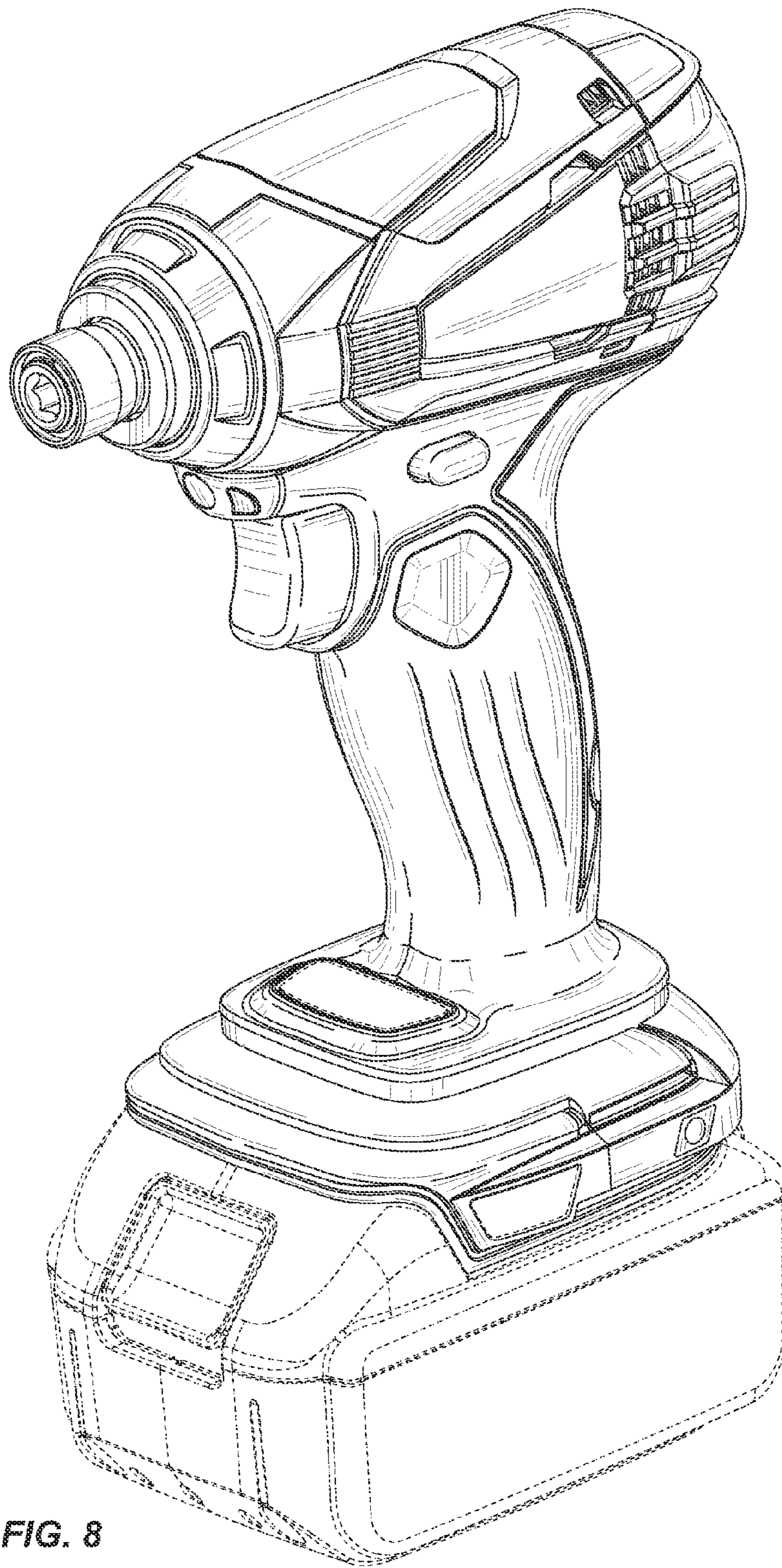


FIG. 8