



US00D679159S

(12) **United States Design Patent**
Waldron

(10) **Patent No.:** **US D679,159 S**

(45) **Date of Patent:** **** Apr. 2, 2013**

(54) **ORBITAL SANDER**

(75) Inventor: **Michael Waldron**, Pocklington (GB)

(73) Assignee: **Hutchin Exports Ltd.** (VG)

(**) Term: **14 Years**

(21) Appl. No.: **29/429,771**

(22) Filed: **Aug. 16, 2012**

(51) **LOC (9) Cl.** **08-01**

(52) **U.S. Cl.** **D8/62**

(58) **Field of Classification Search** D8/67,
D8/62, 61, 70; D32/15, 17, 19; D4/102;
451/456, 451, 359, 358, 357, 356, 355, 364,
451/344; 144/154.5, 373; 30/475
See application file for complete search history.

(56) **References Cited**

U.S. PATENT DOCUMENTS

D392,861 S *	3/1998	Gildersleeve et al.	D8/62
D527,595 S *	9/2006	Wikle	D8/62
D528,386 S *	9/2006	Wu	D8/62
D528,886 S *	9/2006	Heun	D8/62
D536,942 S *	2/2007	Cooper et al.	D8/62

D558,017 S *	12/2007	Cooper et al.	D8/62
D585,258 S *	1/2009	Nojiri et al.	D8/62
D636,243 S *	4/2011	Liu et al.	D8/62

* cited by examiner

Primary Examiner — Austin Murphy

(74) *Attorney, Agent, or Firm* — Buchanan Nipper

(57) **CLAIM**

I claim the ornamental design for an orbital sander, substantially as shown and described.

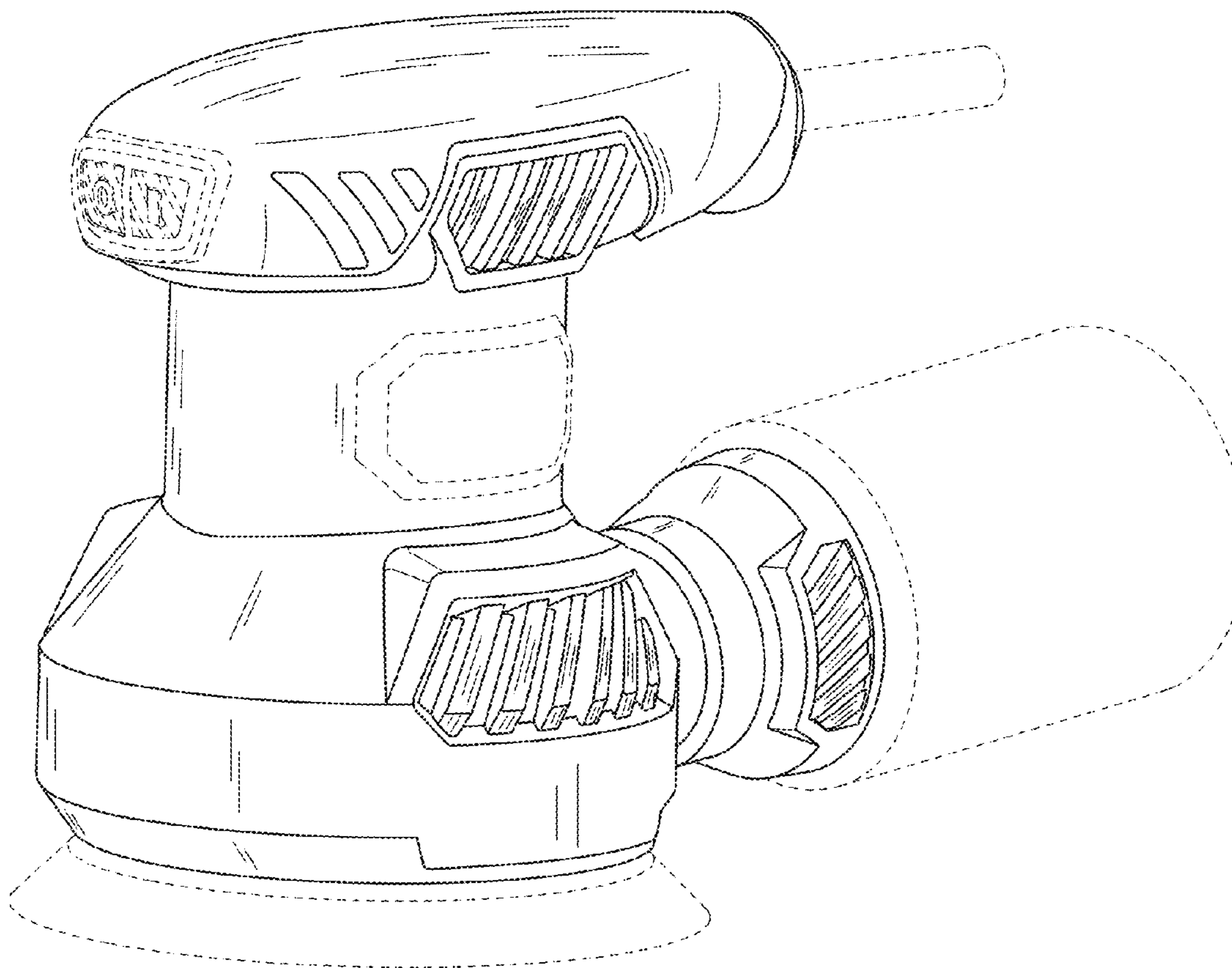
DESCRIPTION

FIG. 1 is a front perspective view of an orbital sander showing my design;
FIG. 2 is a left side view thereof;
FIG. 3 is a right side view thereof;
FIG. 4 is a bottom plan view thereof;
FIG. 5 is a top plan view thereof;
FIG. 6 is a front side view thereof; and,
FIG. 7 is a back side view thereof.

Features shown in dashed lines are for illustrative purposes only, and form no part of the claimed design.

The shade lines in the Figures show contour and not surface ornamentation, and form no part of the claimed design.

1 Claim, 7 Drawing Sheets



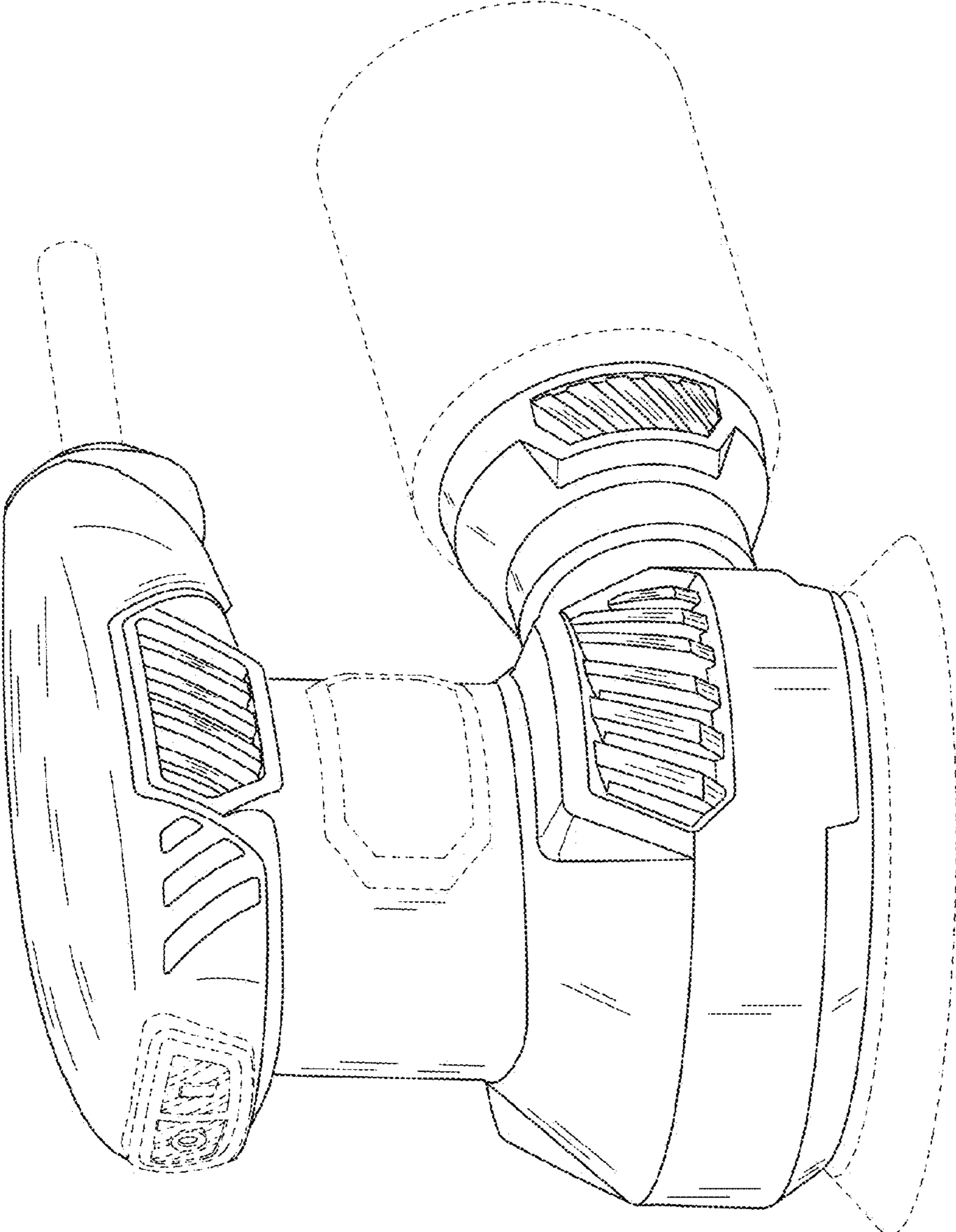


FIG. 1

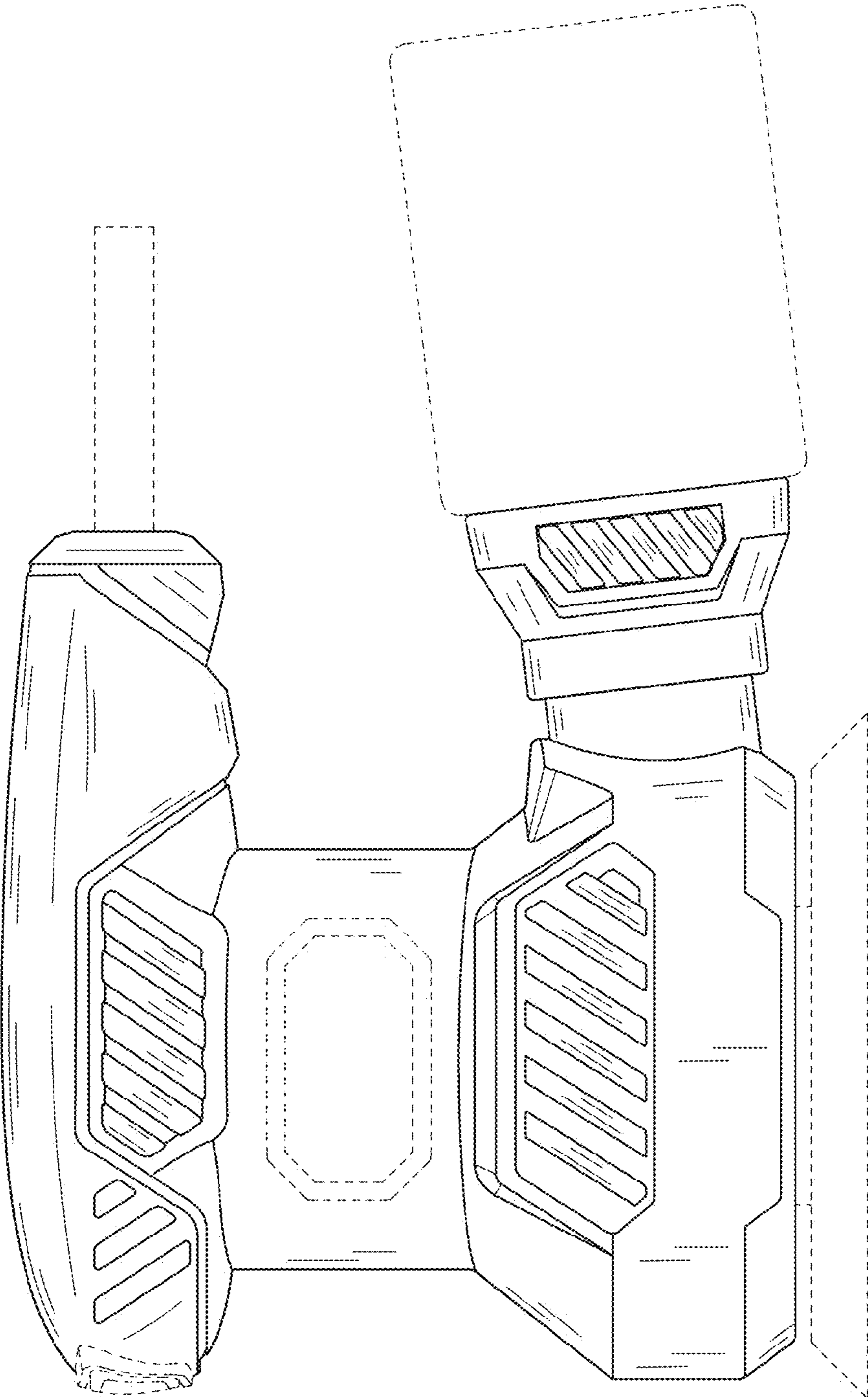


FIG.2

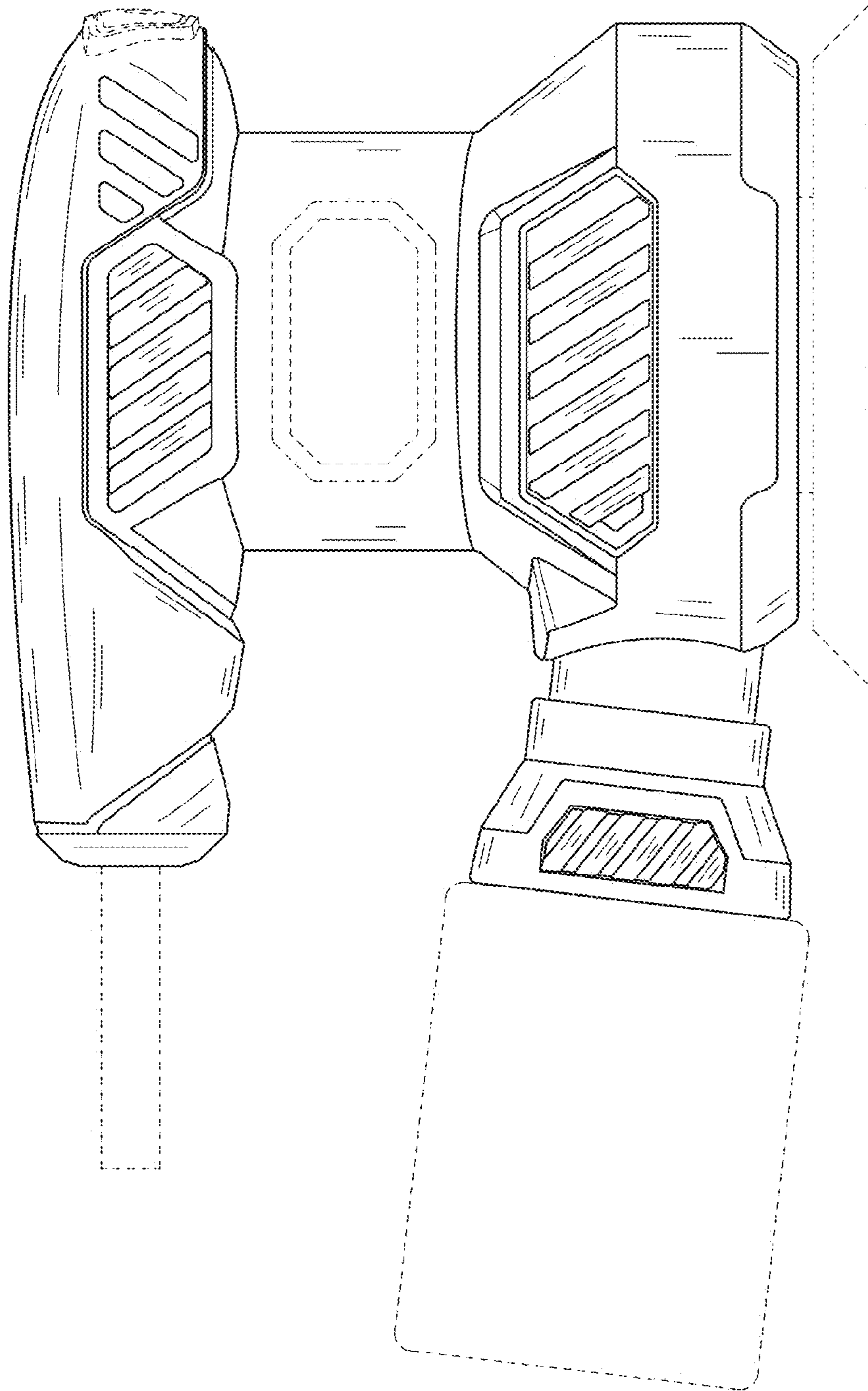


FIG.3

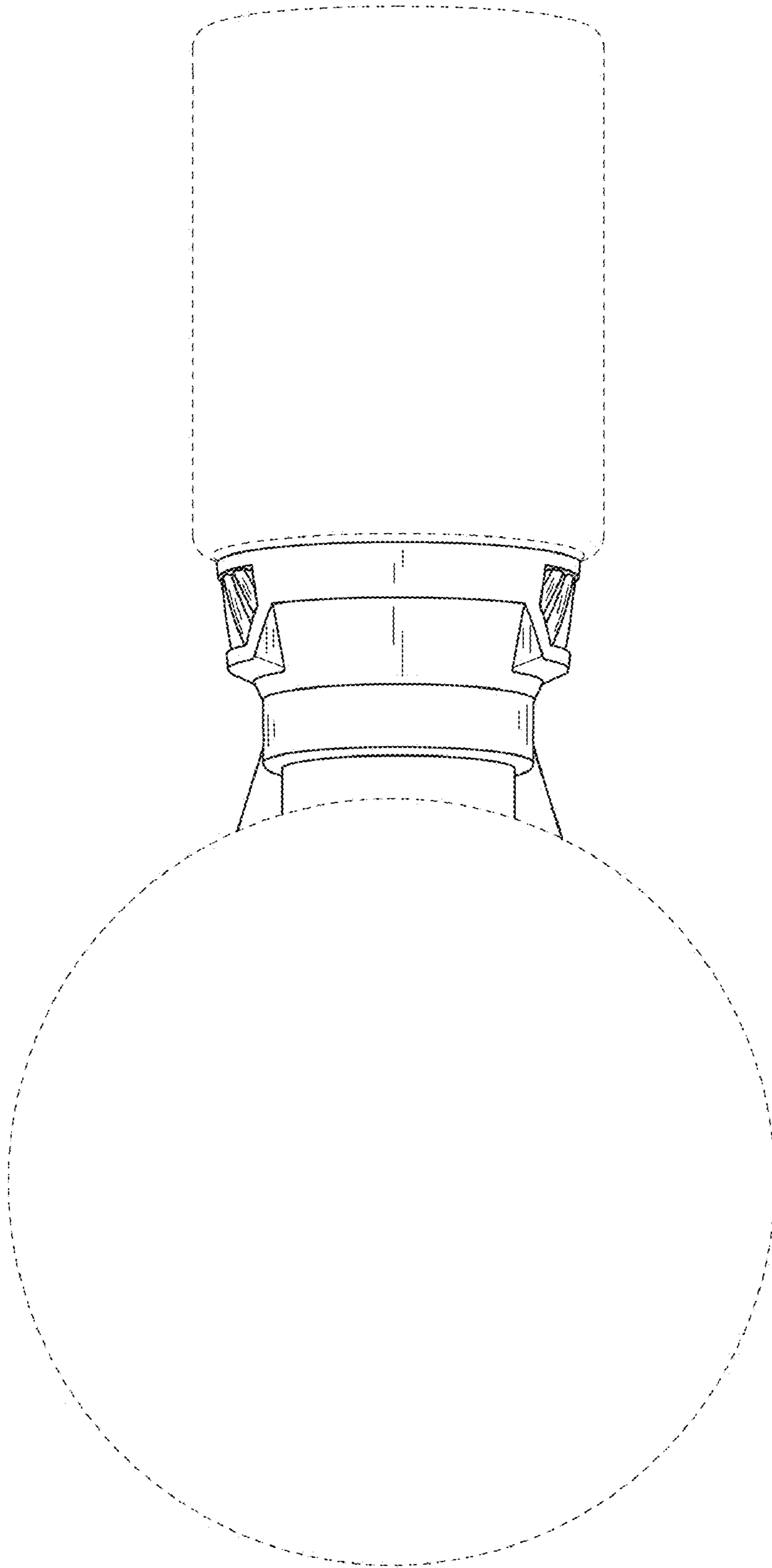


FIG.4

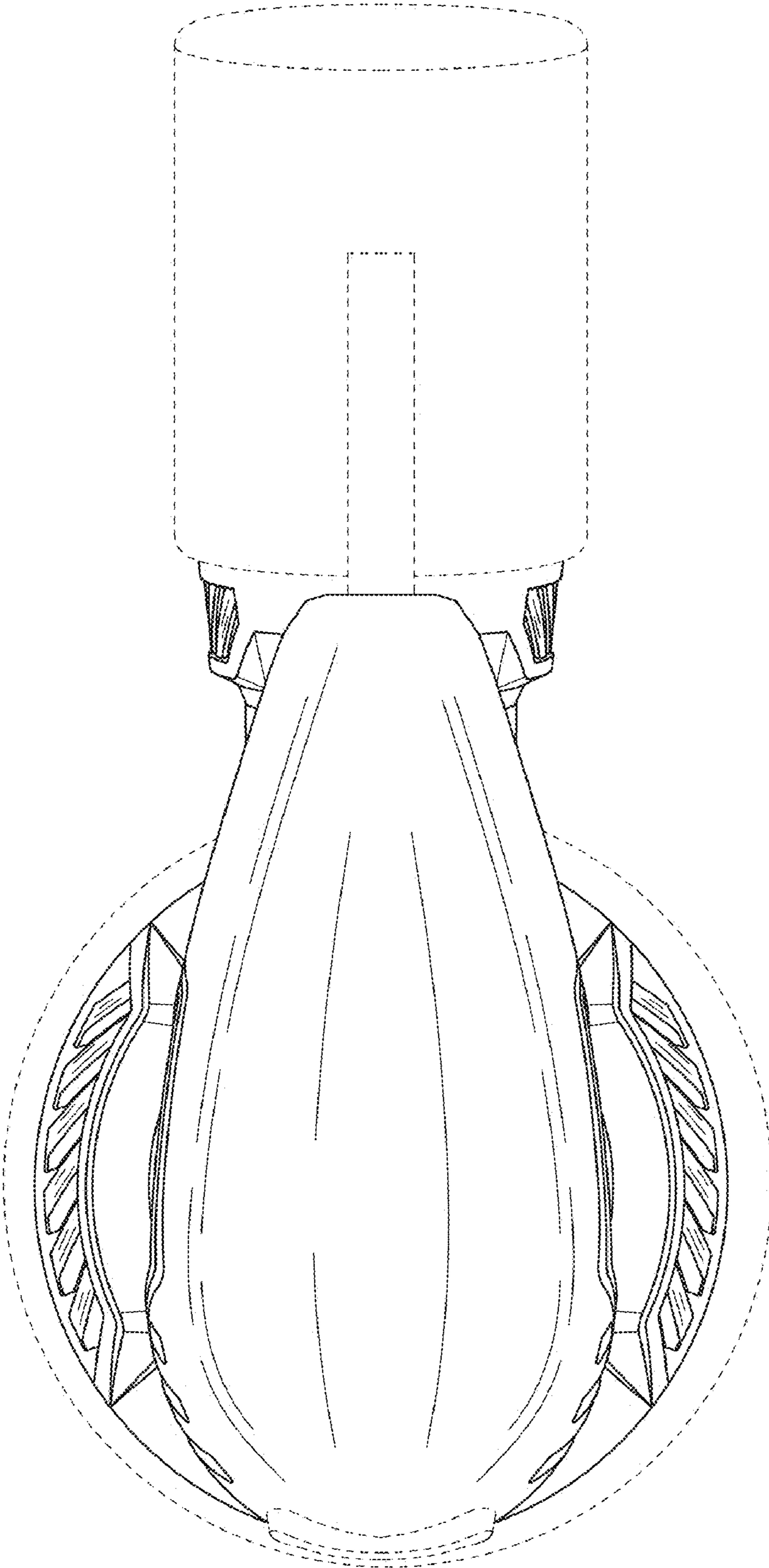


FIG.5

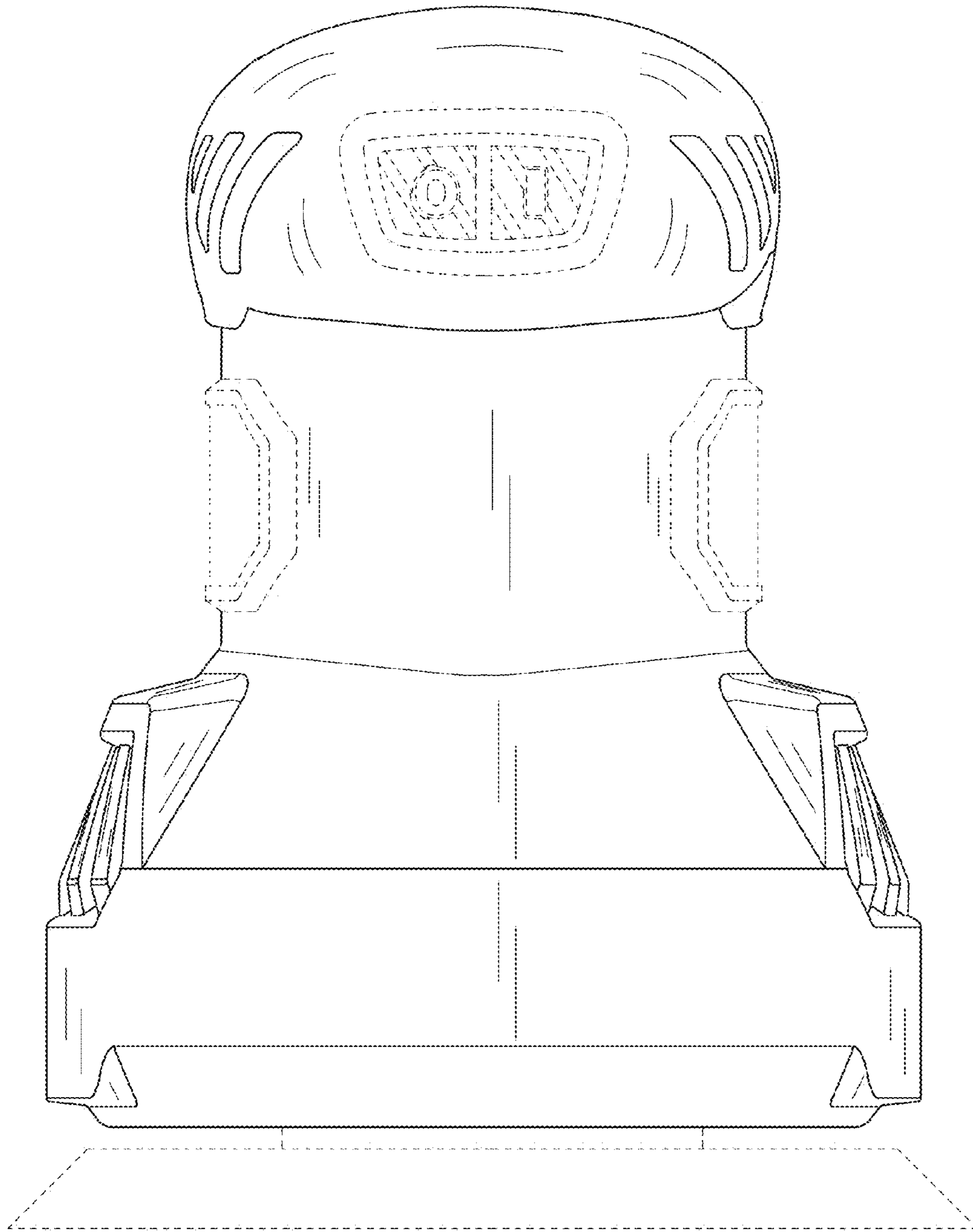


FIG.6

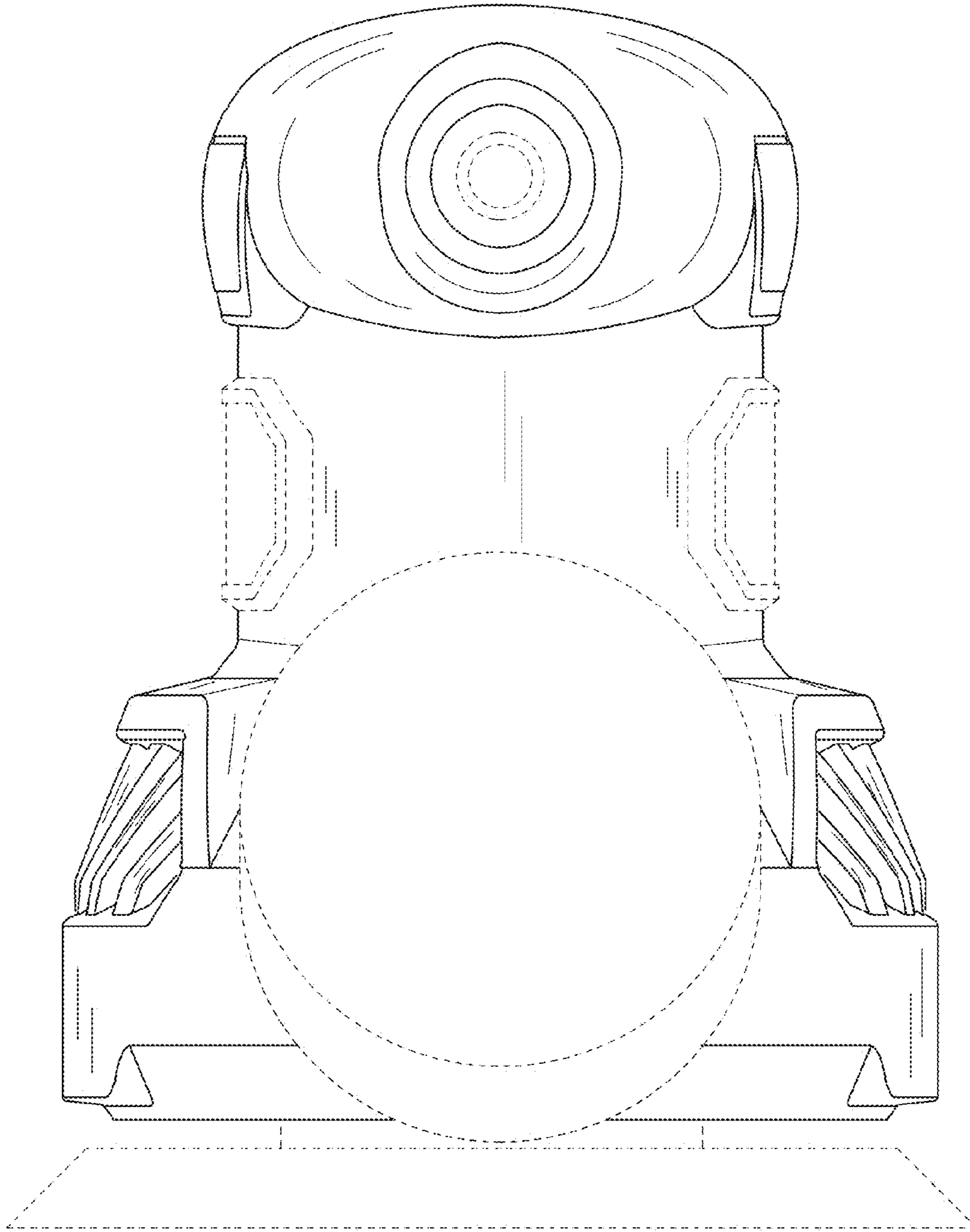


FIG. 7