



US00D679157S

(12) **United States Design Patent**  
**Derivaz**

(10) **Patent No.:** **US D679,157 S**

(45) **Date of Patent:** **\*\* Apr. 2, 2013**

(54) **CUTTING TOOL**

(75) **Inventor:** **Francois Derivaz**, Chatel-St-Denis (CH)

(73) **Assignee:** **Samvaz SA**, Chatel-St-Denis (CH)

(\*\*) **Term:** **14 Years**

(21) **Appl. No.:** **29/379,203**

(22) **Filed:** **Nov. 16, 2010**

(30) **Foreign Application Priority Data**

Jun. 25, 2010 (WO) ..... DM/073 858

(51) **LOC (9) Cl.** ..... **08-03**

(52) **U.S. Cl.** ..... **D8/20**

(58) **Field of Classification Search** ..... D8/14,  
D8/16, 19-20, 47, 88, 89, 98; D15/131,  
D15/138, 139; 30/167, 169  
See application file for complete search history.

(56) **References Cited**

**U.S. PATENT DOCUMENTS**

143,413	A *	10/1873	Jelliffe	30/167
404,554	A *	6/1889	Palmer	30/167
855,834	A *	6/1907	Bubb	30/167.2
1,082,802	A *	12/1913	Full	30/315
D45,277	S *	2/1914	Vaughan	D8/47
D45,527	S *	3/1914	Graham	D8/47
2,359,408	A *	10/1944	Disse	30/169
2,494,455	A *	1/1950	Soldani	30/171
D237,037	S *	10/1975	Brunosson	D8/47
D258,659	S *	3/1981	Nystrom et al.	D15/139
4,349,961	A *	9/1982	Pendleton	30/168
D310,773	S *	9/1990	Fraday	D8/89
D370,611	S *	6/1996	Frick et al.	D8/98
5,557,852	A *	9/1996	Frisina	30/167
D386,655	S *	11/1997	Spirer	D8/20

D386,657	S *	11/1997	Spirer	D8/47
5,953,820	A *	9/1999	Vasudeva	30/125
5,966,818	A *	10/1999	Spirer	30/167
D450,556	S *	11/2001	Biller et al.	D8/98
7,257,896	B2 *	8/2007	Kurtz	30/167
D596,472	S *	7/2009	Cook	D8/47
D631,715	S *	2/2011	Cardew	D8/47
D632,151	S *	2/2011	Cardew	D8/47
D637,053	S *	5/2011	Cardew	D8/47
2010/0237058	A1 *	9/2010	Evans et al.	219/229
2011/0247218	A1 *	10/2011	Francois	30/167

**OTHER PUBLICATIONS**

Rali Shark. Downloaded at [http://www.samvaz.ch/cms/index.php?option=com\\_content&view=article&id=74%3Arali-...](http://www.samvaz.ch/cms/index.php?option=com_content&view=article&id=74%3Arali-...) Jan. 14, 2012.\*

\* cited by examiner

*Primary Examiner* — Philip S Hyder

*Assistant Examiner* — Roselynn Cody

(74) *Attorney, Agent, or Firm* — Young & Thompson

(57) **CLAIM**

The ornamental design for a cutting tool, as shown and described.

**DESCRIPTION**

FIG. 1 is a top view of the cutting tool.

FIG. 2 is a bottom view thereof.

FIG. 3 is a side view thereof.

FIG. 4 is an opposite side view thereof.

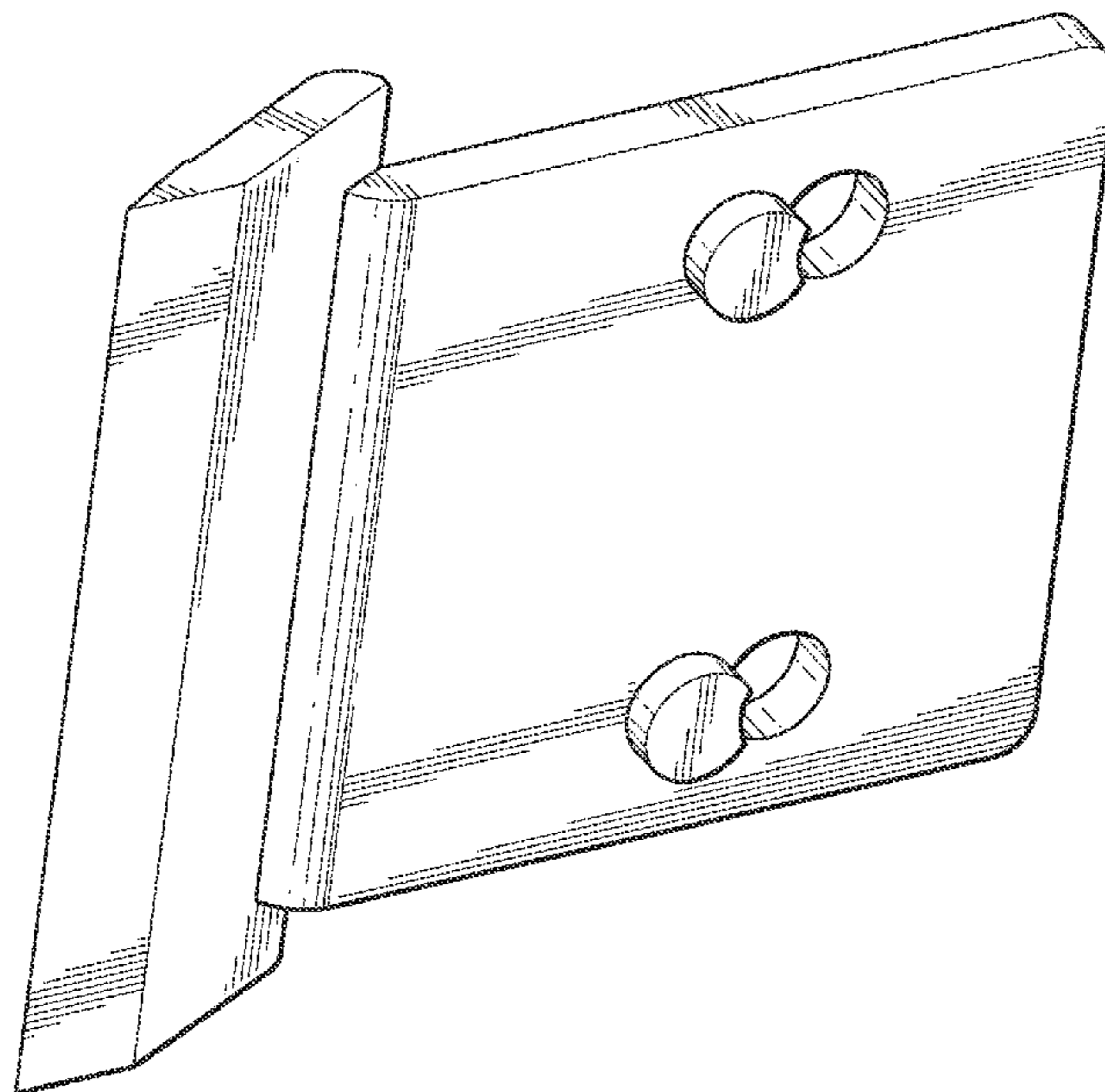
FIG. 5 is a front view thereof;

FIG. 6 is a rear view thereof; and,

FIG. 7 is a bottom perspective view thereof.

The broken lines in FIG. 1 illustrate features of the cutting tool that form no part of the claim.

**1 Claim, 4 Drawing Sheets**



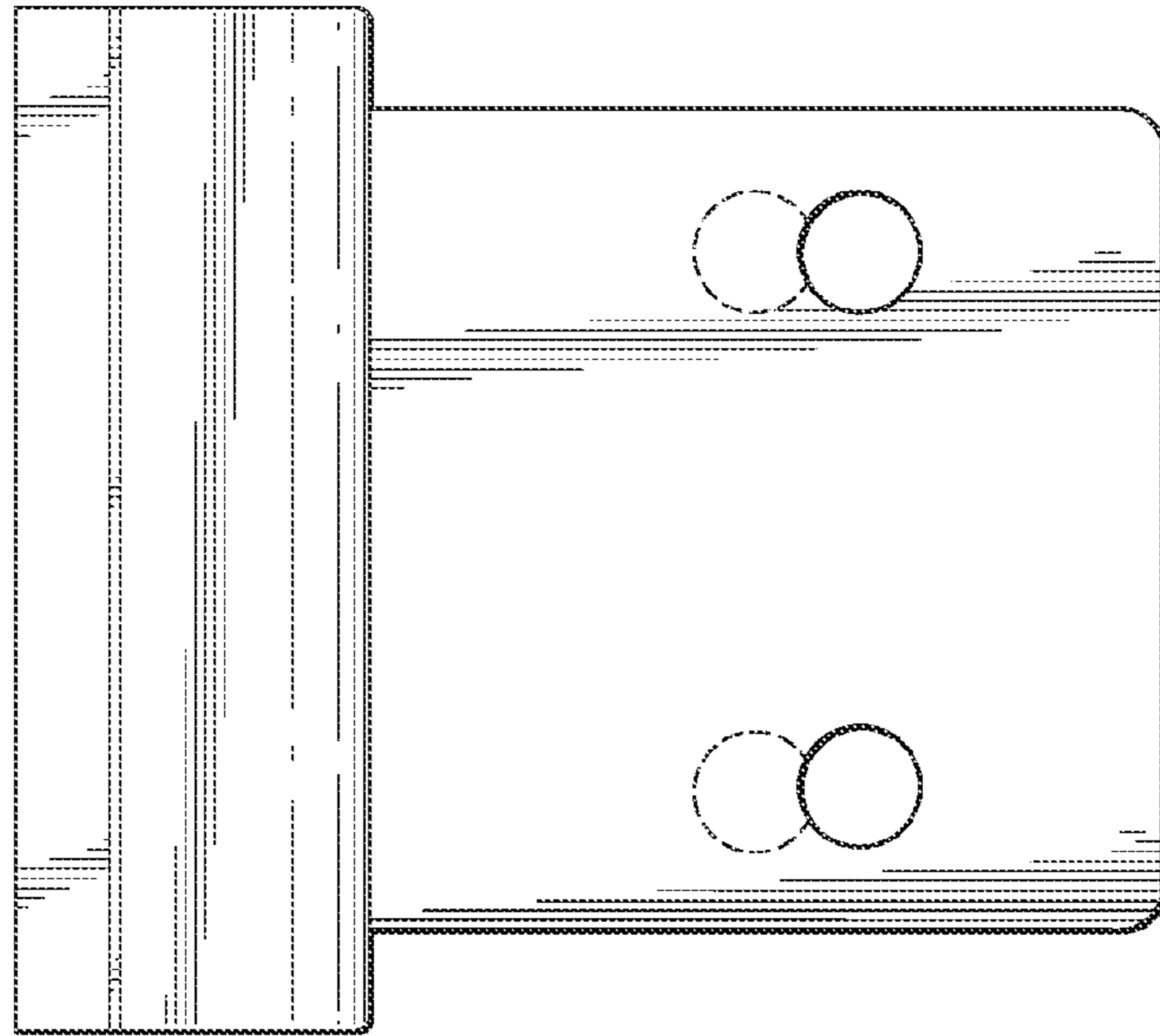


FIG. 1

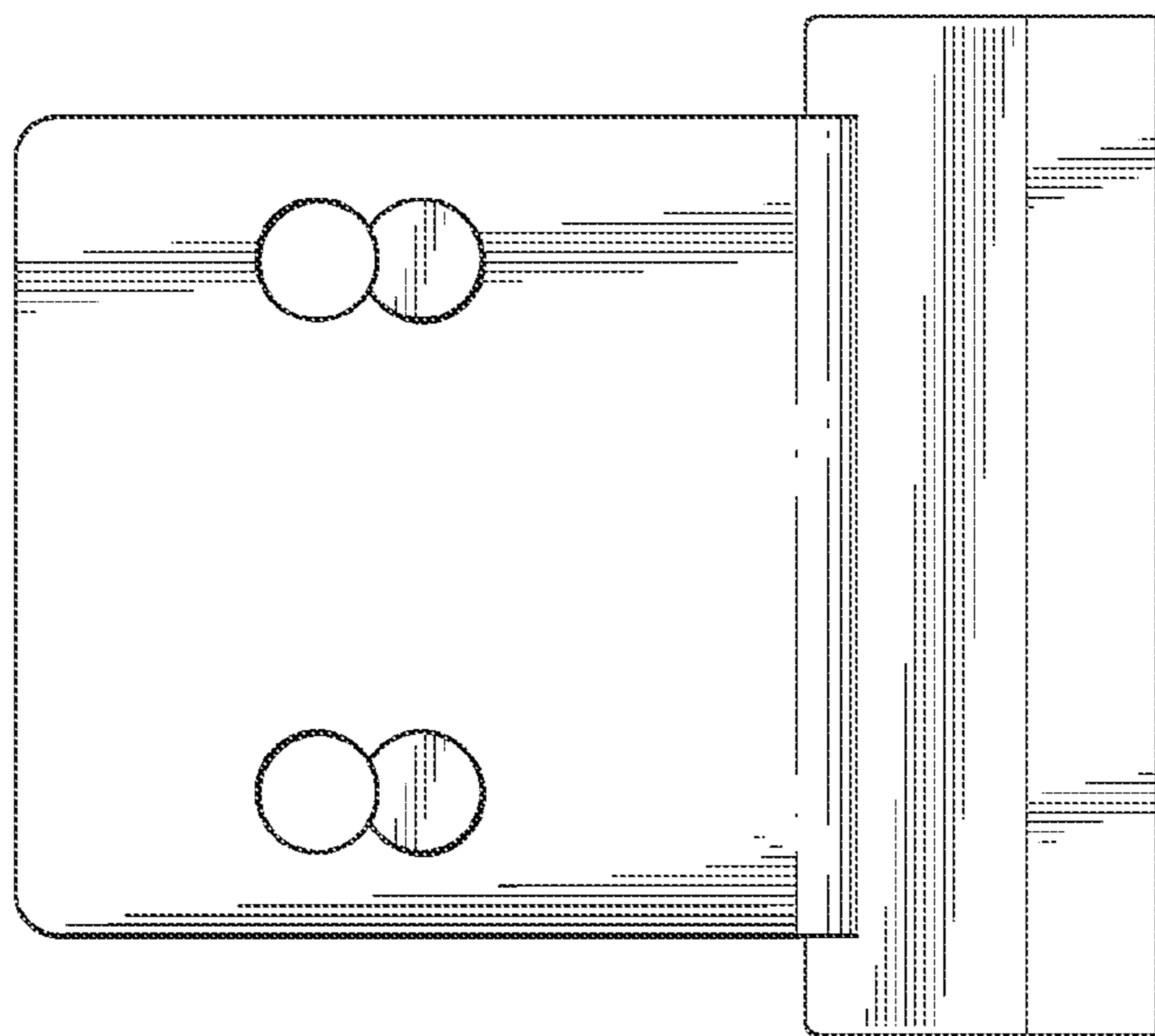
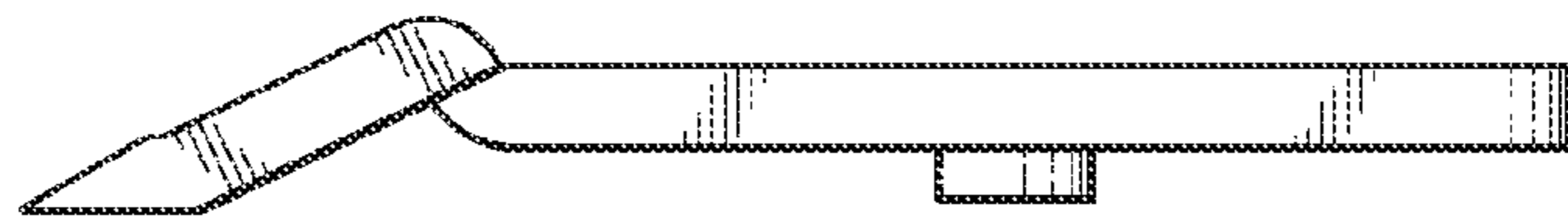
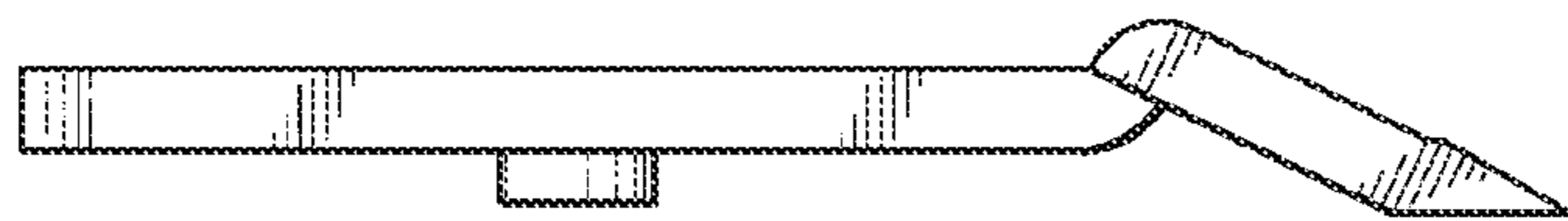


FIG. 2



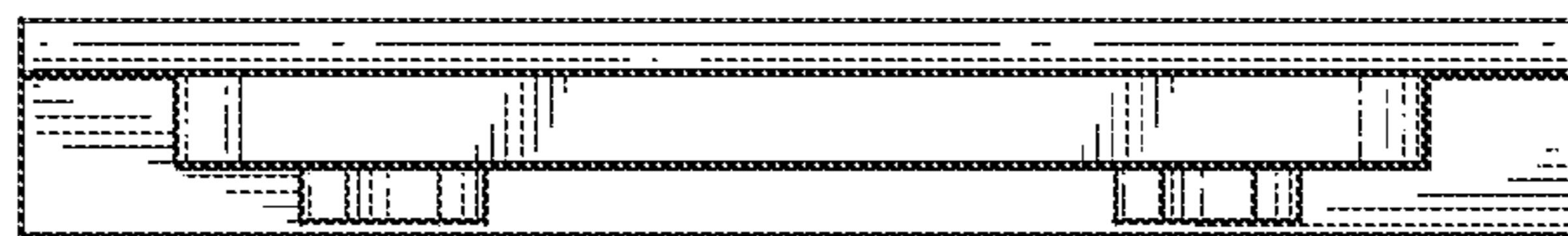
*FIG. 3*



*FIG. 4*



*FIG. 5*



*FIG. 6*

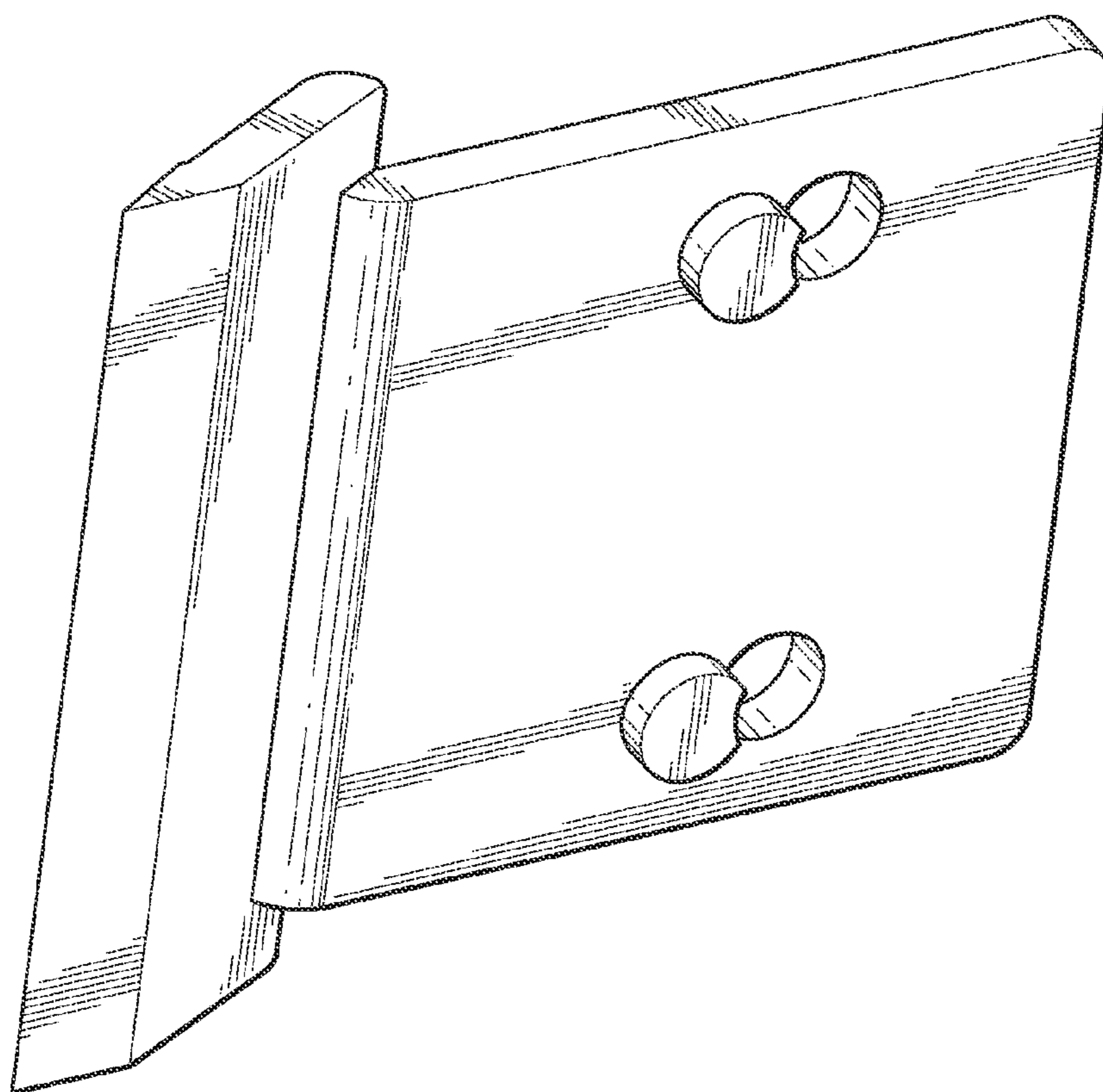


FIG. 7