



US00D679156S

(12) **United States Design Patent**  
**Lyles**

(10) **Patent No.:** **US D679,156 S**

(45) **Date of Patent:** **\*\* Apr. 2, 2013**

(54) **EDGER BLADE**

(76) Inventor: **Daniel Lyles**, Sumter, SC (US)

(\*\*) Term: **14 Years**

(21) Appl. No.: **29/406,575**

(22) Filed: **Nov. 16, 2011**

(51) **LOC (9) Cl.** ..... **08-01**

(52) **U.S. Cl.** ..... **D8/8**

(58) **Field of Classification Search** ..... D8/1, 7-9;  
30/216, 208, 276, 228, 382-383; 56/12.7,  
56/233-237, 295

See application file for complete search history.

(56) **References Cited**

**U.S. PATENT DOCUMENTS**

3,554,293	A	1/1971	Aman	
3,656,554	A	4/1972	Buhner	
3,681,903	A	8/1972	Phillips	
3,815,234	A	6/1974	Nelson et al.	
4,072,195	A	2/1978	Carlson	
D260,397	S	8/1981	Bartlett et al.	
4,979,573	A	12/1990	Williamson	
5,441,115	A	8/1995	Horzepa	
D372,408	S *	8/1996	Robbins	D8/8
5,592,992	A	1/1997	Thompson	
D389,382	S	1/1998	Houle	

6,125,943	A	10/2000	Valois	
D439,118	S *	3/2001	Tomita	D8/8
6,302,219	B1	10/2001	Filippini	
6,357,215	B1 *	3/2002	Thorne	56/295
D460,090	S *	7/2002	Holzinger	D15/138
D502,185	S *	2/2005	Byrne	D15/17
D524,827	S *	7/2006	Byrne	D15/29
D577,372	S *	9/2008	Hung	D15/17
D610,886	S *	3/2010	Bauer	D8/8

\* cited by examiner

*Primary Examiner* — Sheryl Lane

(74) *Attorney, Agent, or Firm* — P. Jeff Martin; The Law Firm of P. Jeffrey Martin, LLC

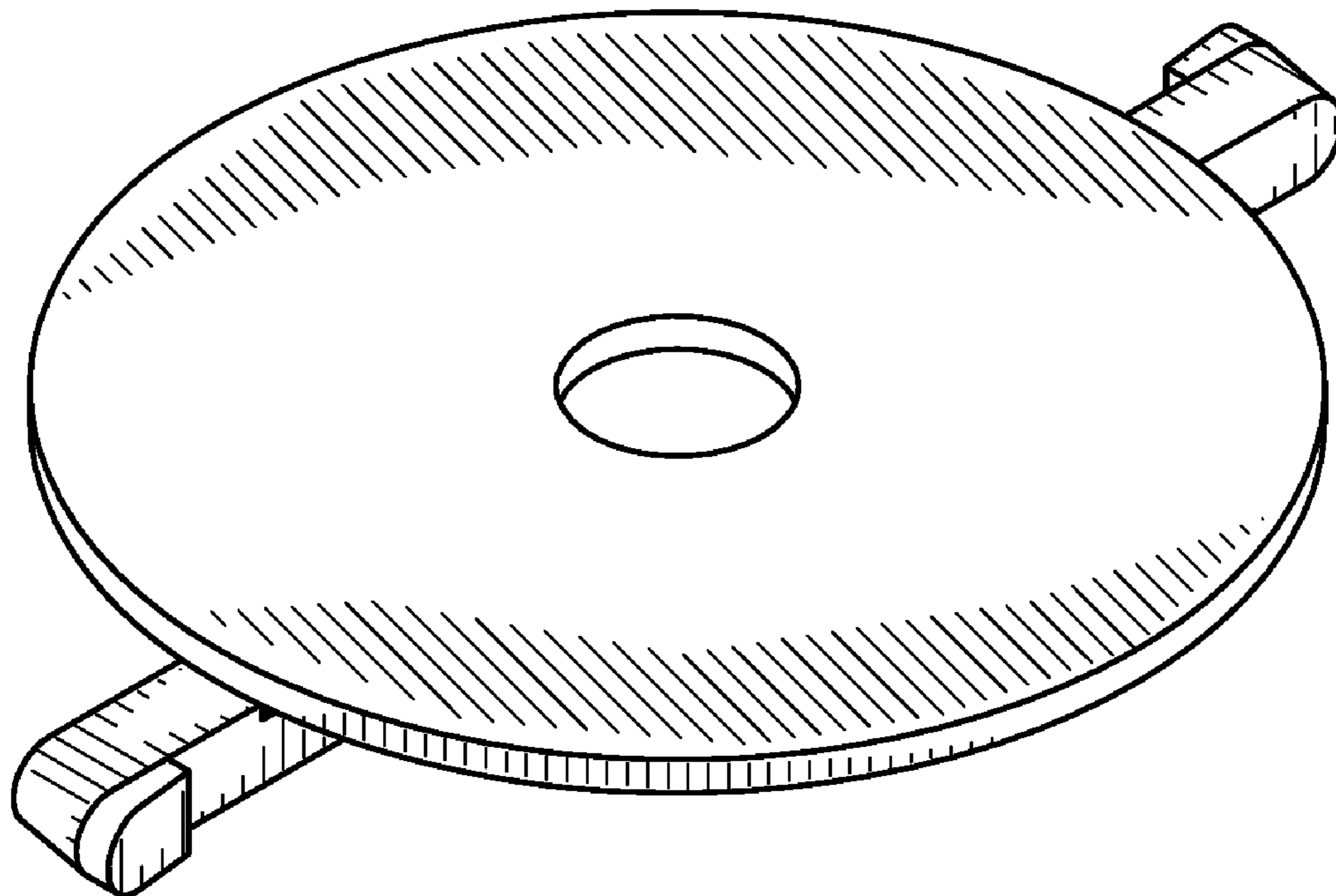
(57) **CLAIM**

The ornamental design for an edger blade, as shown and described.

**DESCRIPTION**

FIG. 1 is a top perspective view of an edger blade showing my new design;  
FIG. 2 is a right side view thereof;  
FIG. 3 is a left side view thereof;  
FIG. 4 is a front view thereof;  
FIG. 5 is a rear view thereof;  
FIG. 6 is a top end view thereof; and,  
FIG. 7 is a bottom end view thereof.

**1 Claim, 2 Drawing Sheets**



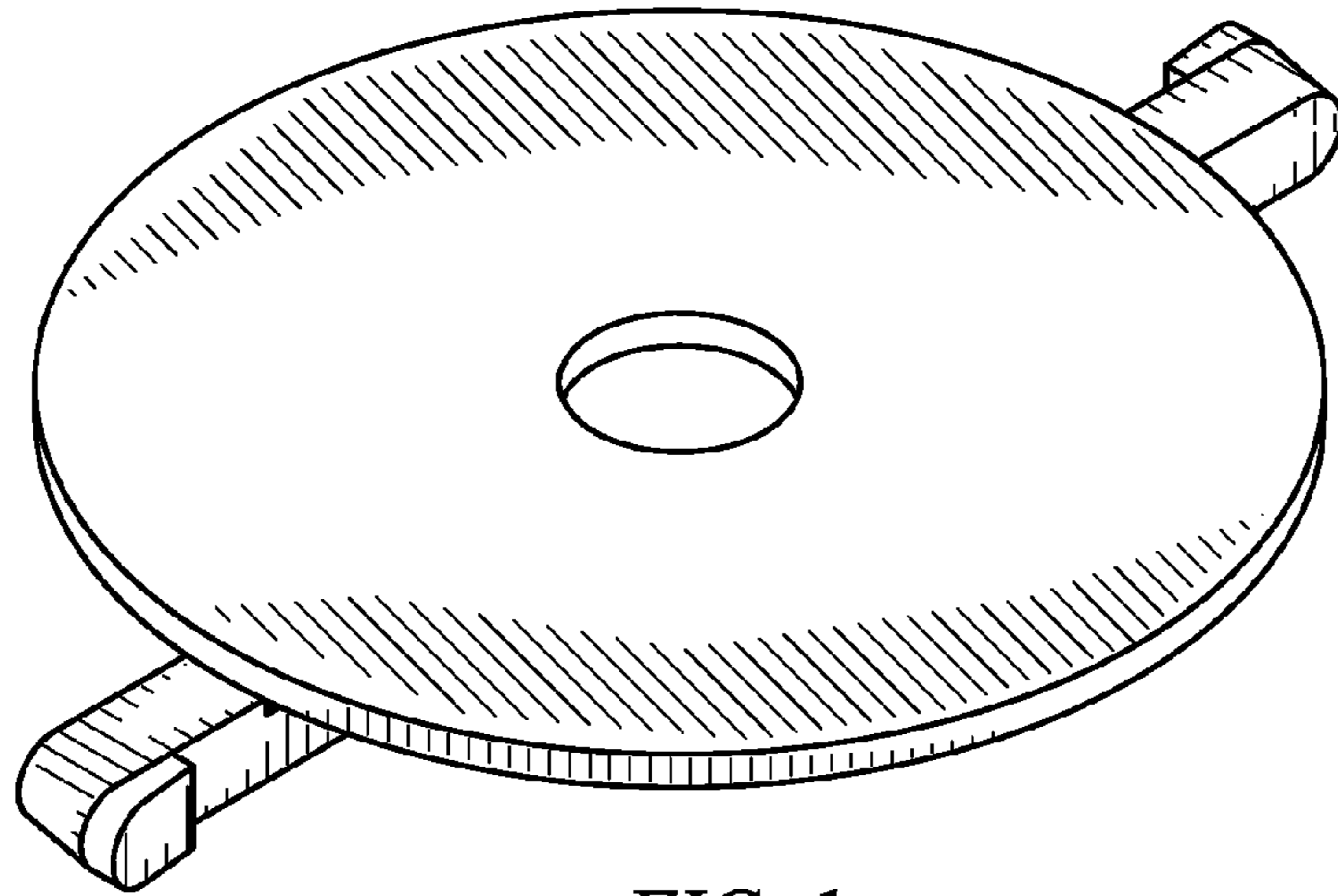


FIG. 1

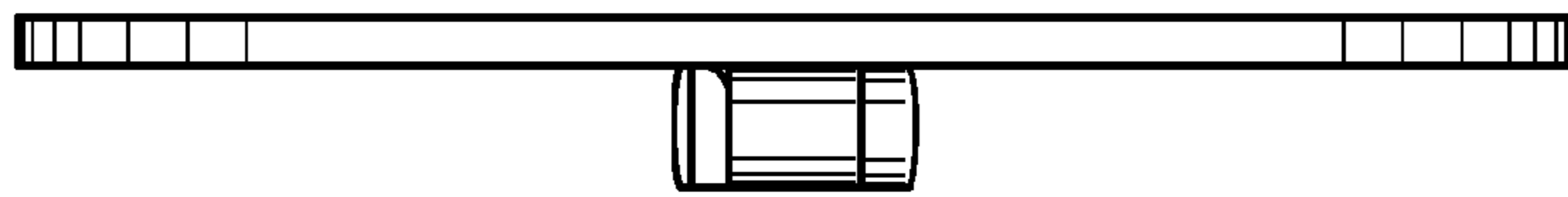


FIG. 2



FIG. 3

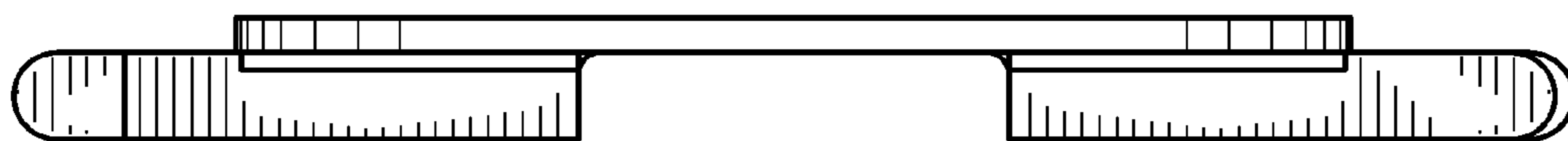


FIG. 4

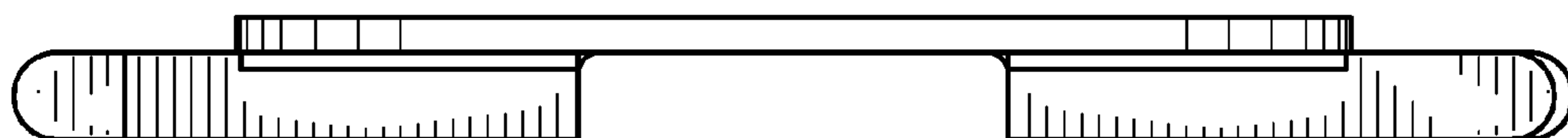


FIG. 5

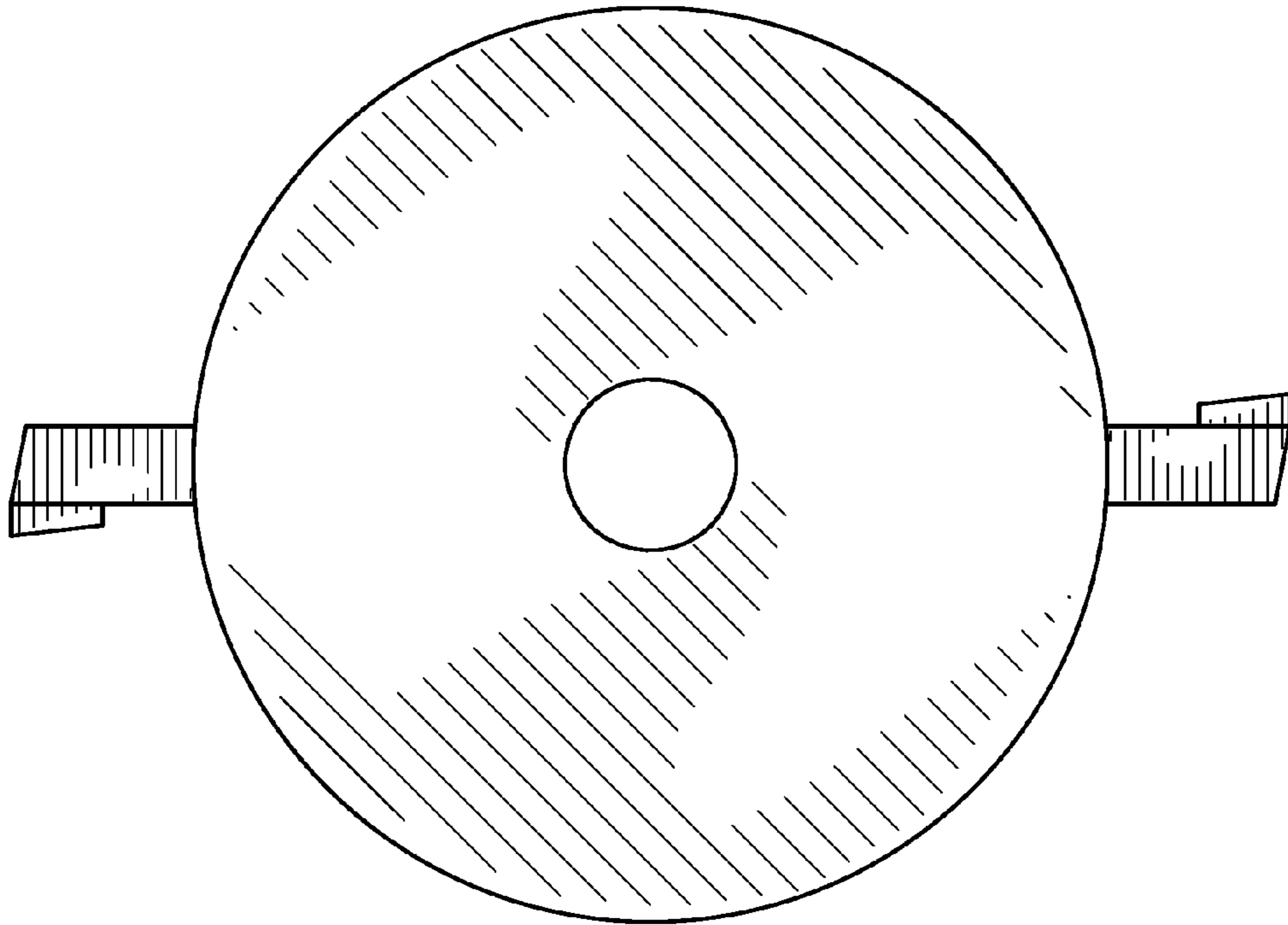


FIG. 6

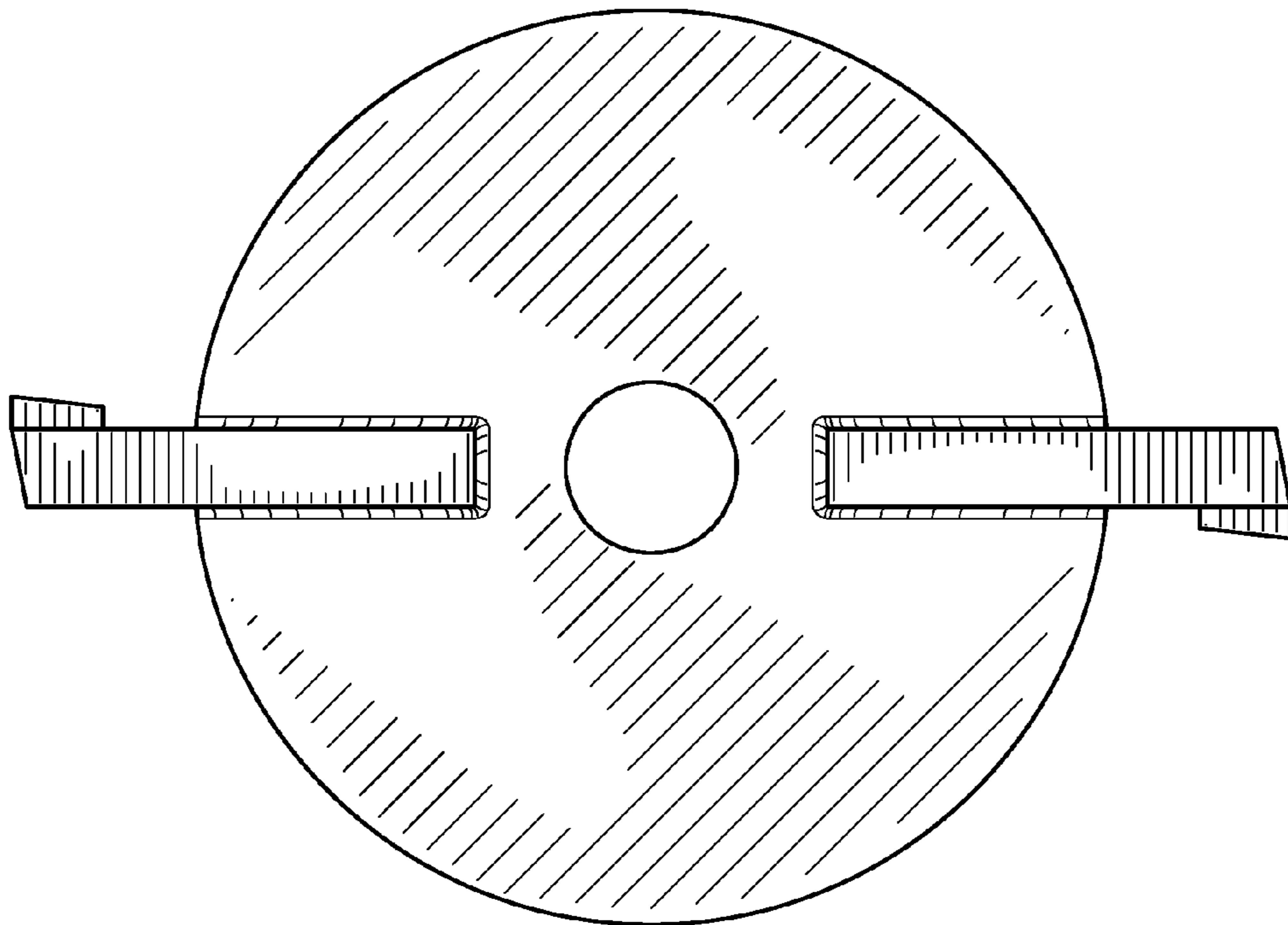


FIG. 7