

US00D679155S

(12) **United States Design Patent**
Eccles

(10) **Patent No.:** **US D679,155 S**

(45) **Date of Patent:** **** Apr. 2, 2013**

(54) **GARDENING TOOL**

(76) Inventor: **Mary Eccles**, Hamilton (CA)

(**) Term: **14 Years**

(21) Appl. No.: **29/428,790**

(22) Filed: **Aug. 3, 2012**

(51) **LOC (9) Cl.** **08-01**

(52) **U.S. Cl.** **D8/1**

(58) **Field of Classification Search** D8/1, 6,
D8/7; 172/21, 371-372, 25; 111/14, 106,
111/99; 175/394; 294/49, 55.5

See application file for complete search history.

(56) **References Cited**

U.S. PATENT DOCUMENTS

323,419	A	*	8/1885	Hiller	111/106
1,564,721	A	*	12/1925	Tallon	111/99
D309,242	S	*	7/1990	Laslo	D8/6
D371,493	S	*	7/1996	Beaulieu	D8/7
5,709,273	A	*	1/1998	Roth	172/22
D395,807	S	*	7/1998	Beasley	D8/7
5,813,471	A	*	9/1998	Ramsey	172/21

D574,677	S	*	8/2008	Broadstone	D8/1
8,056,646	B2	*	11/2011	Broadstone	172/378
D668,920	S	*	10/2012	Sandoval	D8/1

* cited by examiner

Primary Examiner — Sheryl Lane

(57) **CLAIM**

The ornamental design for a gardening tool, as shown and described.

DESCRIPTION

FIG. 1 is a top plan view of a gardening tool of the present design.

FIG. 2 is a front elevational view of the gardening tool of the present design shown in FIG. 1.

FIG. 3 is a bottom plan view of the gardening tool of the present design shown in FIG. 1.

FIG. 4 is a side elevational view of the gardening tool of the present design shown in FIG. 1.

FIG. 5 is a top perspective view of the gardening tool of the present design shown in FIG. 1; and,

FIG. 6 is a bottom perspective view of the gardening tool of the present design shown in FIG. 1.

1 Claim, 3 Drawing Sheets

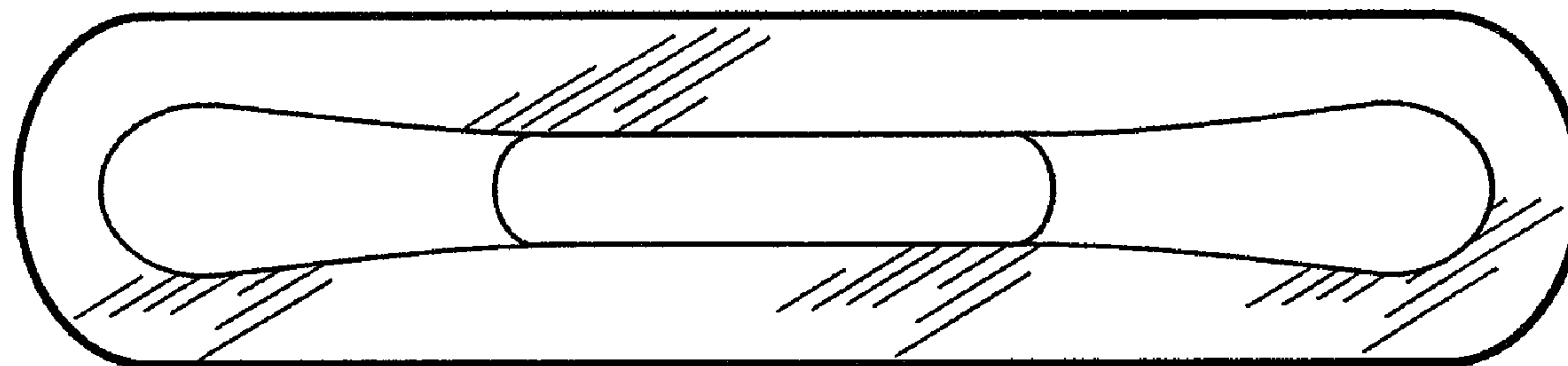


Fig. 1

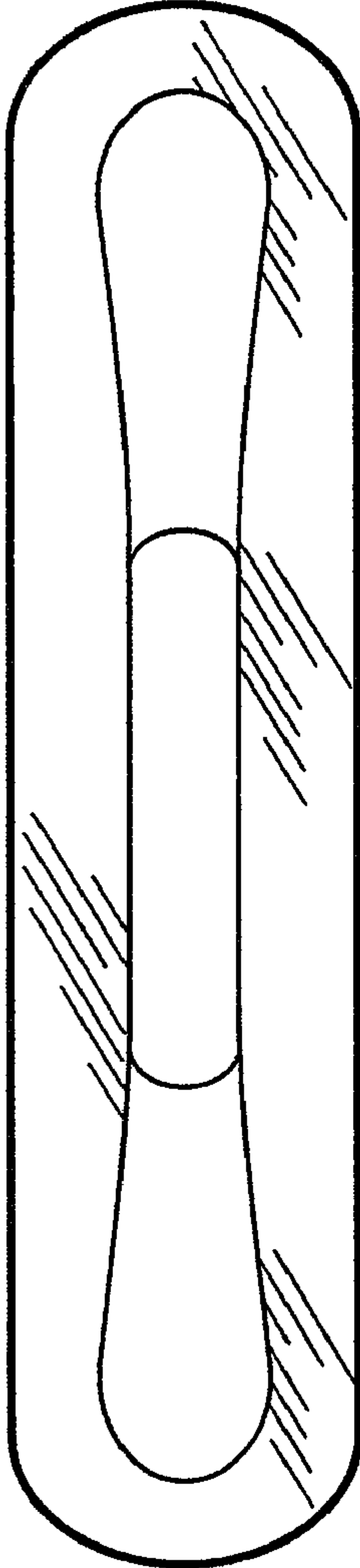


Fig. 2

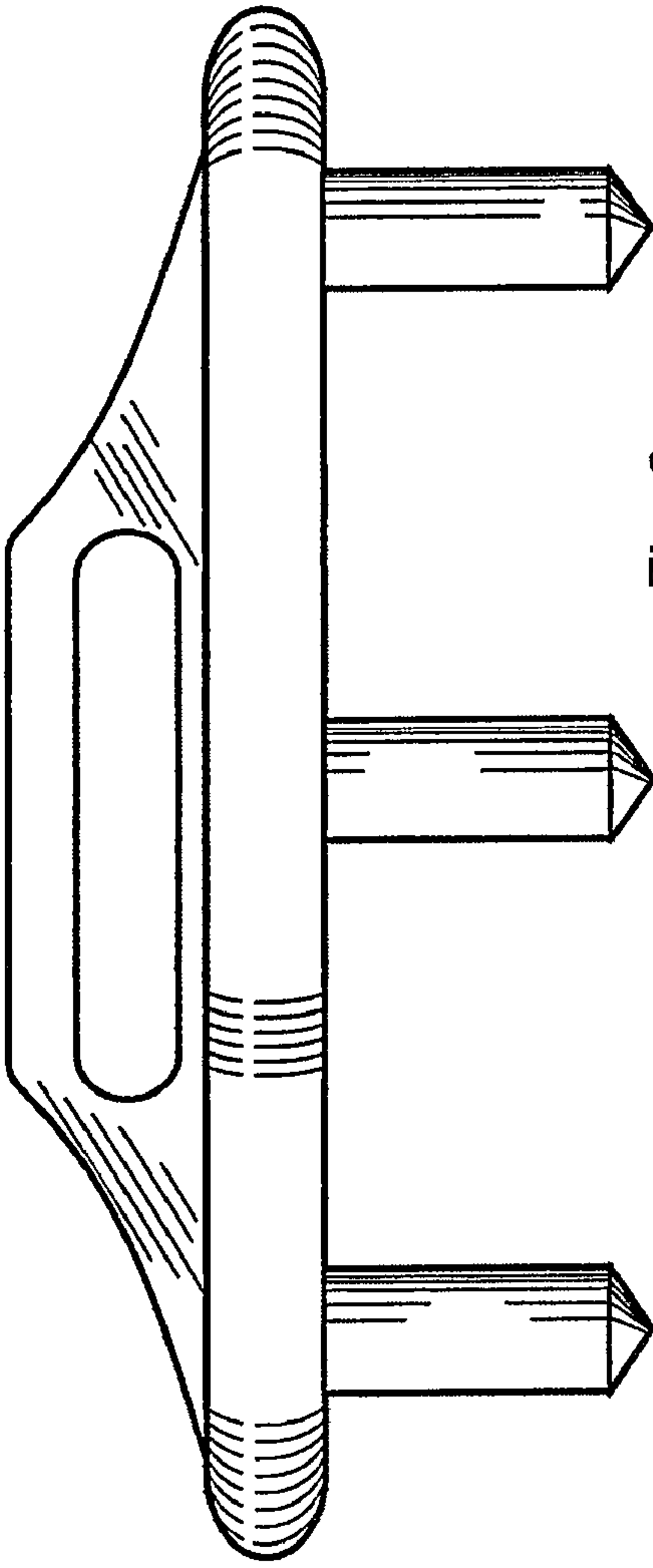


Fig. 3

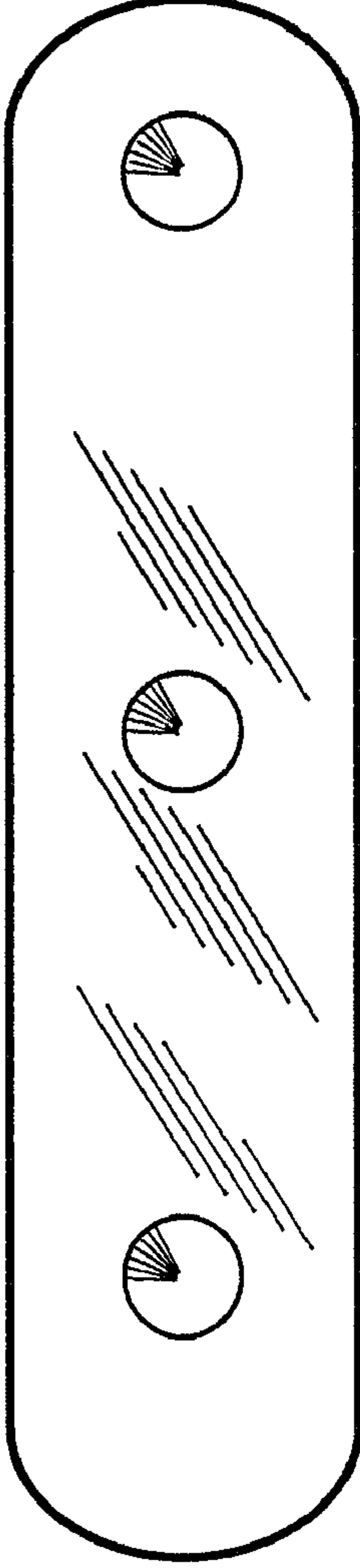
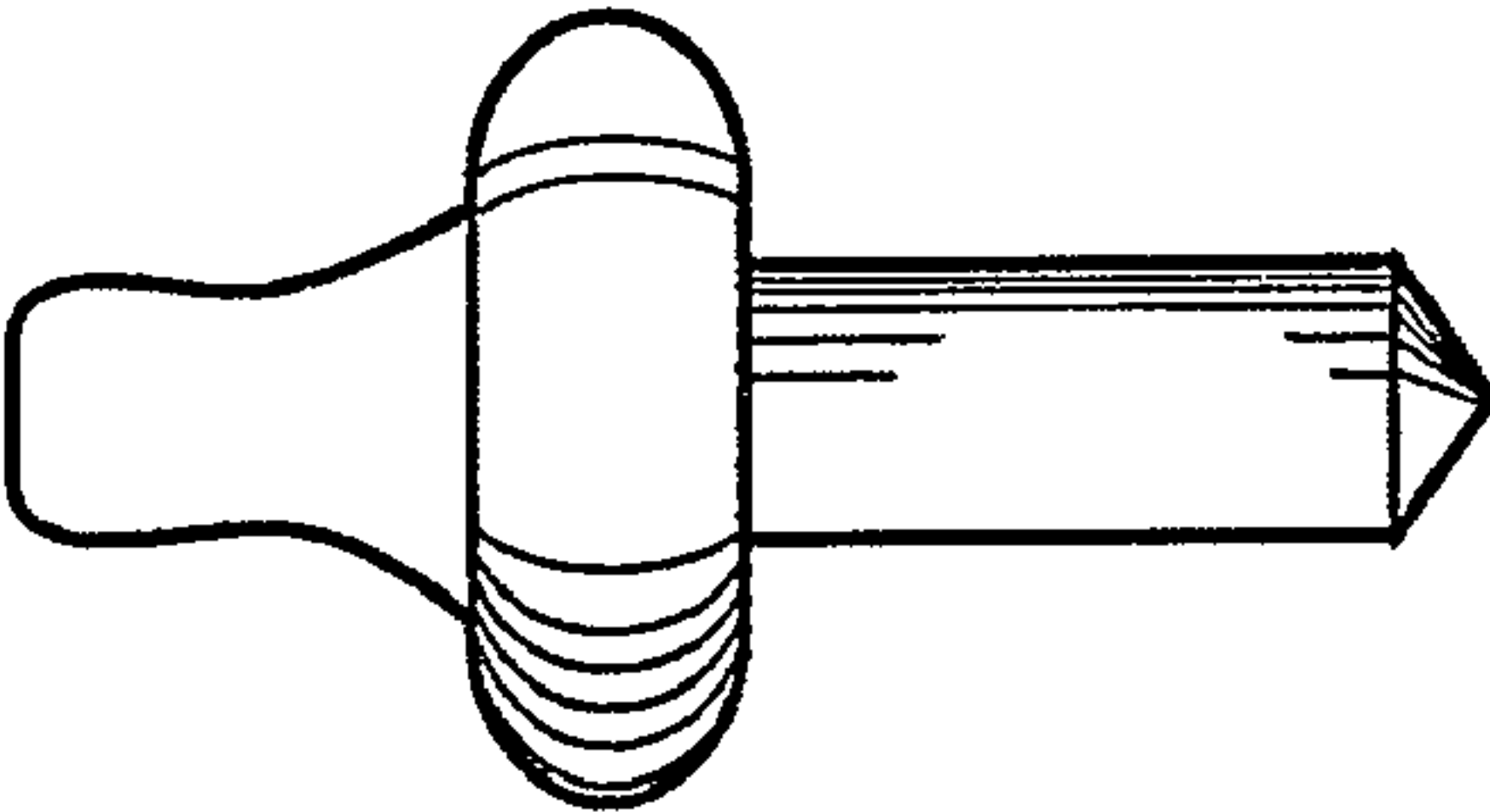


Fig. 4



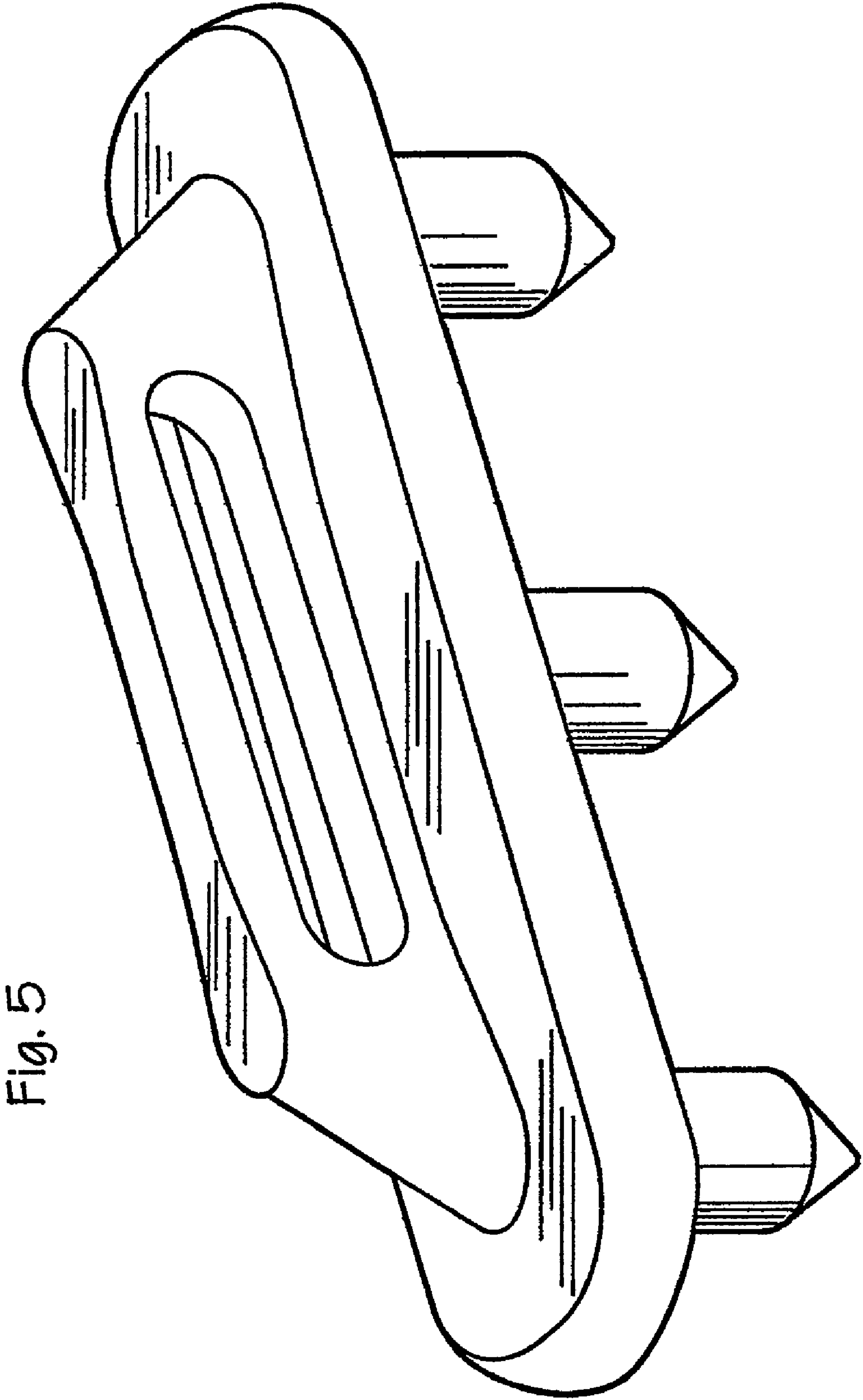


Fig. 5

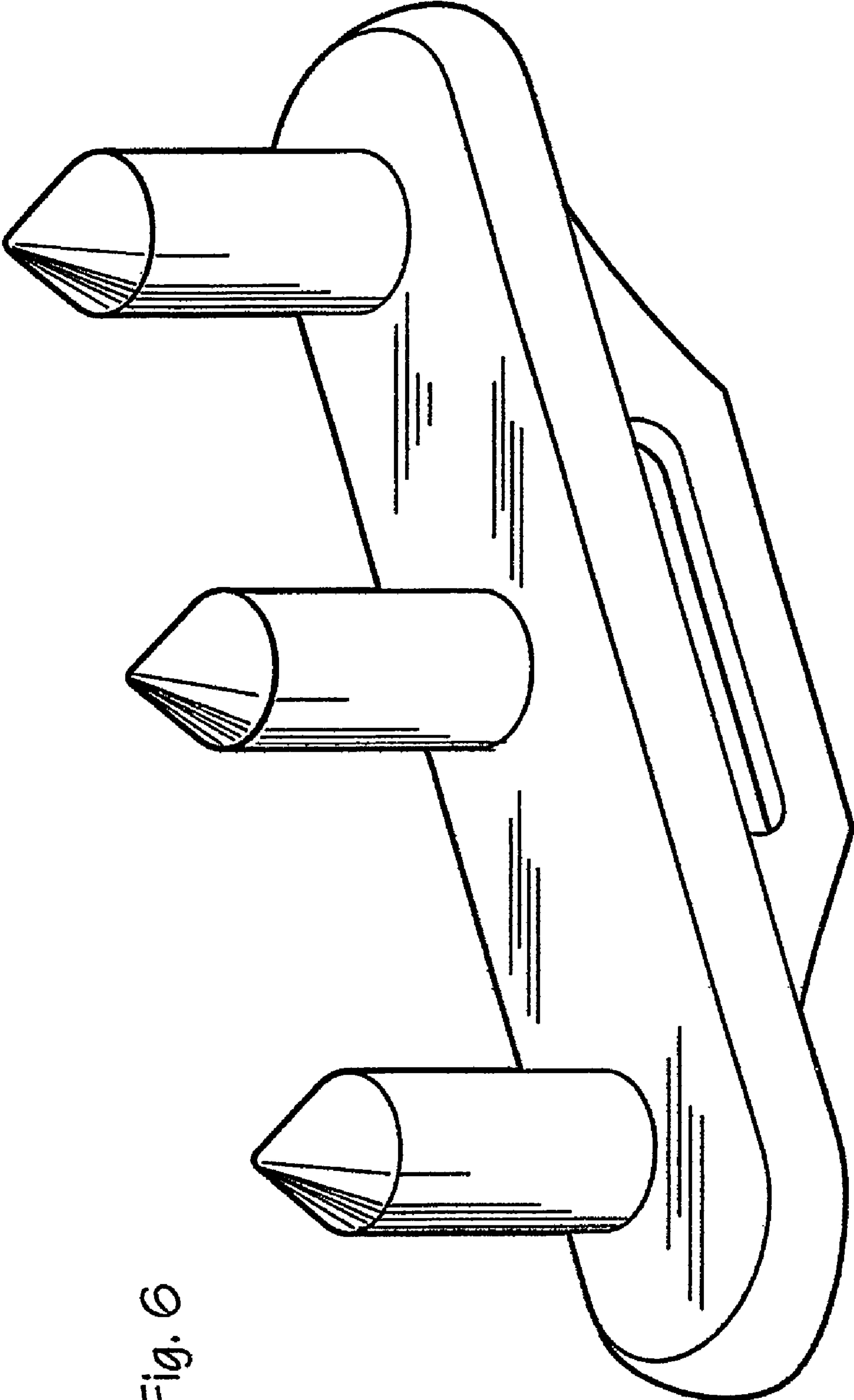


Fig. 6