



US00D679154S

(12) **United States Design Patent**
Sawicki

(10) **Patent No.:** **US D679,154 S**
(45) **Date of Patent:** **** Apr. 2, 2013**

(54) **GRILL TONG WITH ANGLED HANDLE**

3,929,363 A * 12/1975 Kahan 294/1.4
D569,174 S * 5/2008 Zemel D7/395
D588,867 S * 3/2009 Zemel D7/393

(76) Inventor: **Peter J. Sawicki**, La Mesa, CA (US)

* cited by examiner

(**) Term: **14 Years**

Primary Examiner — Terry Wallace

(21) Appl. No.: **29/430,419**

(74) *Attorney, Agent, or Firm* — Richard D. Clarke

(22) Filed: **Aug. 24, 2012**

(57) **CLAIM**

I claim the ornamental design for a grill tong with angled handle, as shown and described.

(51) **LOC (9) Cl.** **07-06**

DESCRIPTION

(52) **U.S. Cl.** **D7/686**

(58) **Field of Classification Search** D7/680–696,
D7/393, 395, 669, 368; 294/99.1, 99.2, 118,
294/119, 16, 7, 8; 30/124, 136, 137, 150,
30/169, 322–328

FIG. 1 is a top, front and side elevation perspective view of the grill tong with angled handle;
FIG. 2 is a side elevation view of the grill tong with angled handle, wherein the opposite side is a mirror image of same;
FIG. 3 is a top plan view of the grill tong with angled handle;
FIG. 4 is a top plan perspective view of the grill tong with angled handle;
FIG. 5 is bottom plan perspective view of the grill tong with angled handle; and,
FIG. 6 is a bottom plan view of the grill tong with angled handle.

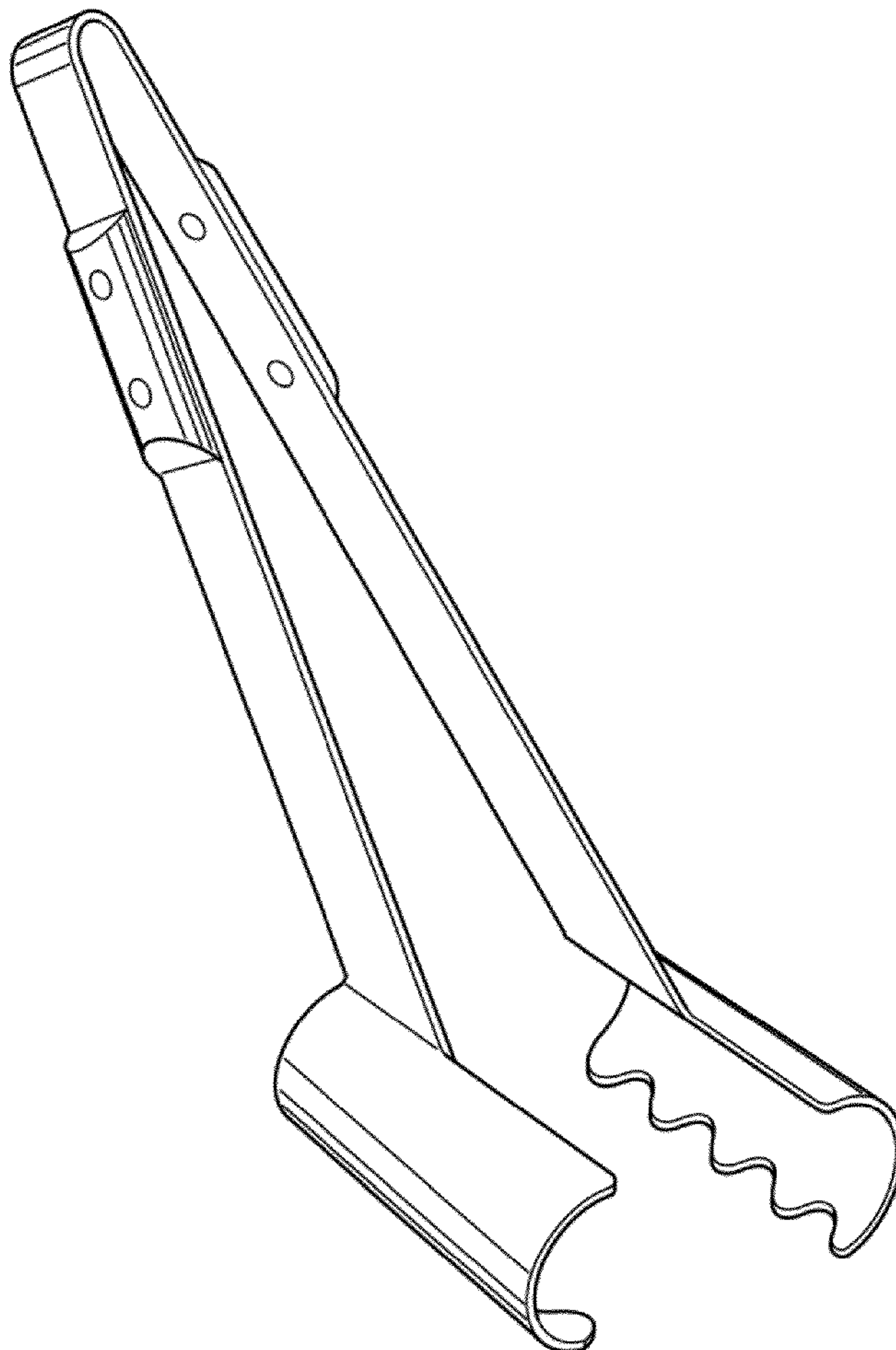
See application file for complete search history.

(56) **References Cited**

U.S. PATENT DOCUMENTS

1,540,694 A * 6/1925 Herrick 294/99.2
D85,789 S * 12/1931 Taintor D7/686
2,839,325 A * 6/1958 Jeanfavre 294/99.2

1 Claim, 3 Drawing Sheets



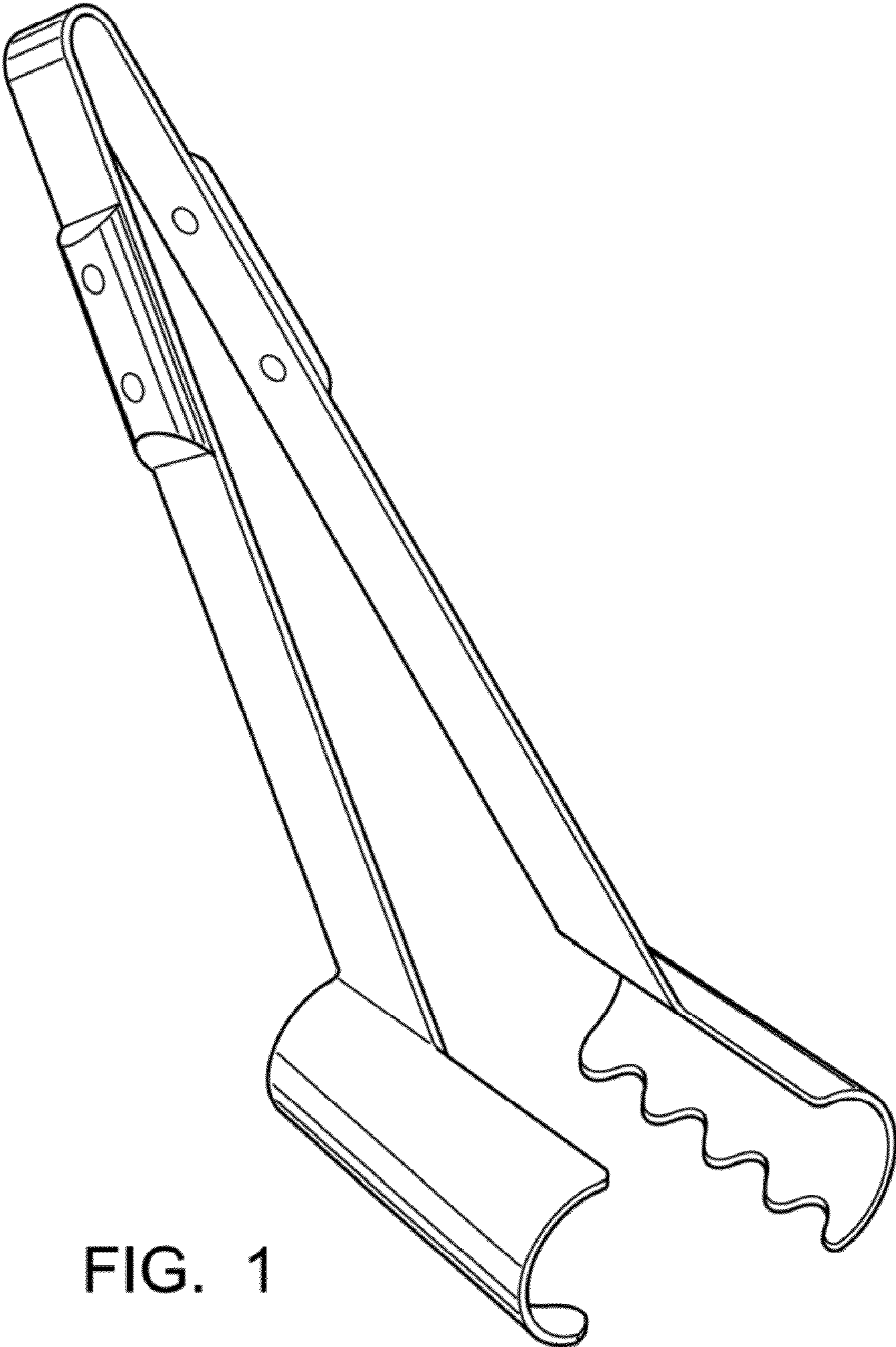


FIG. 1

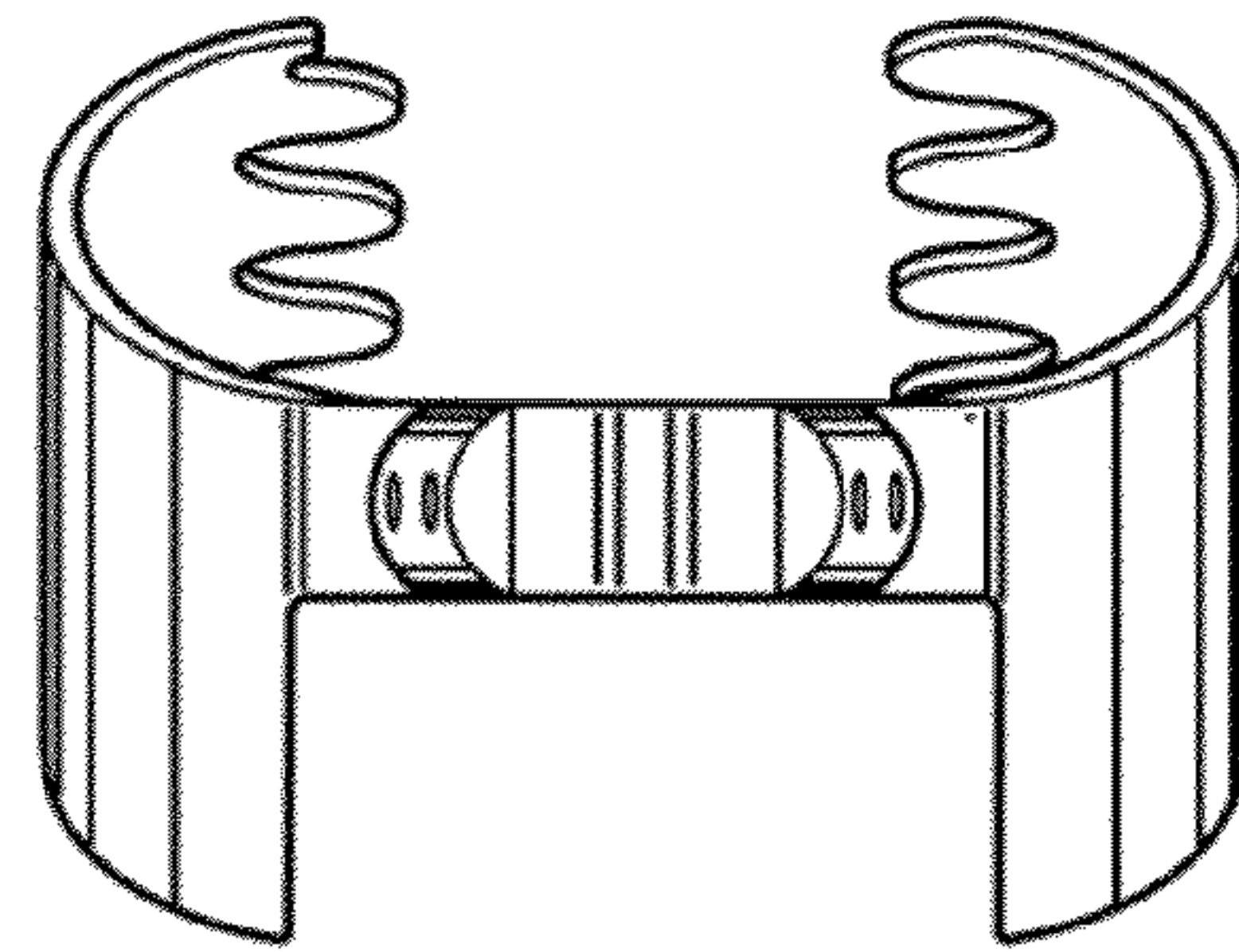


FIG. 3

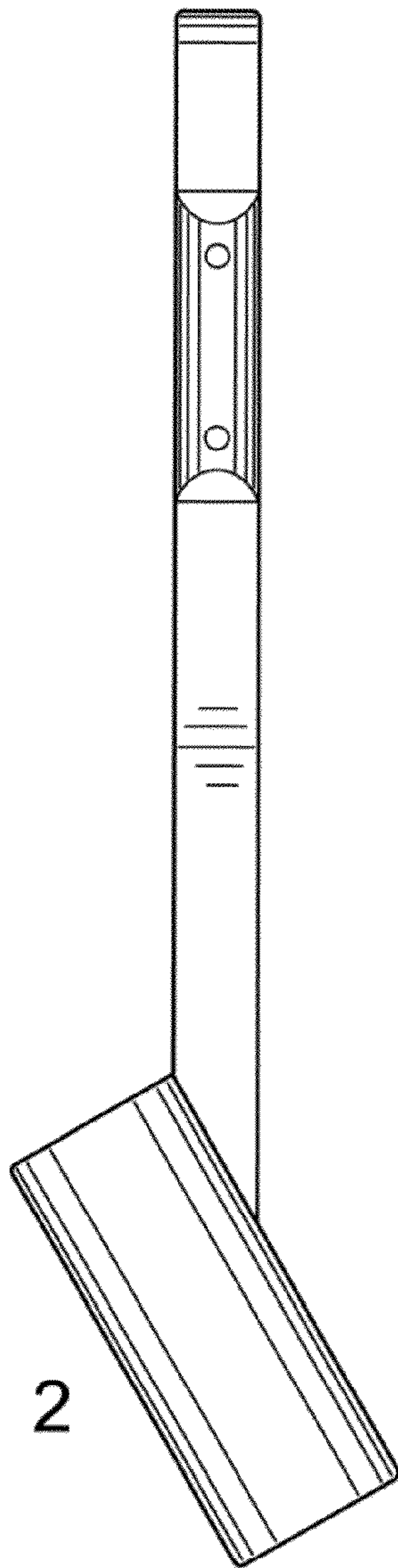


FIG. 2

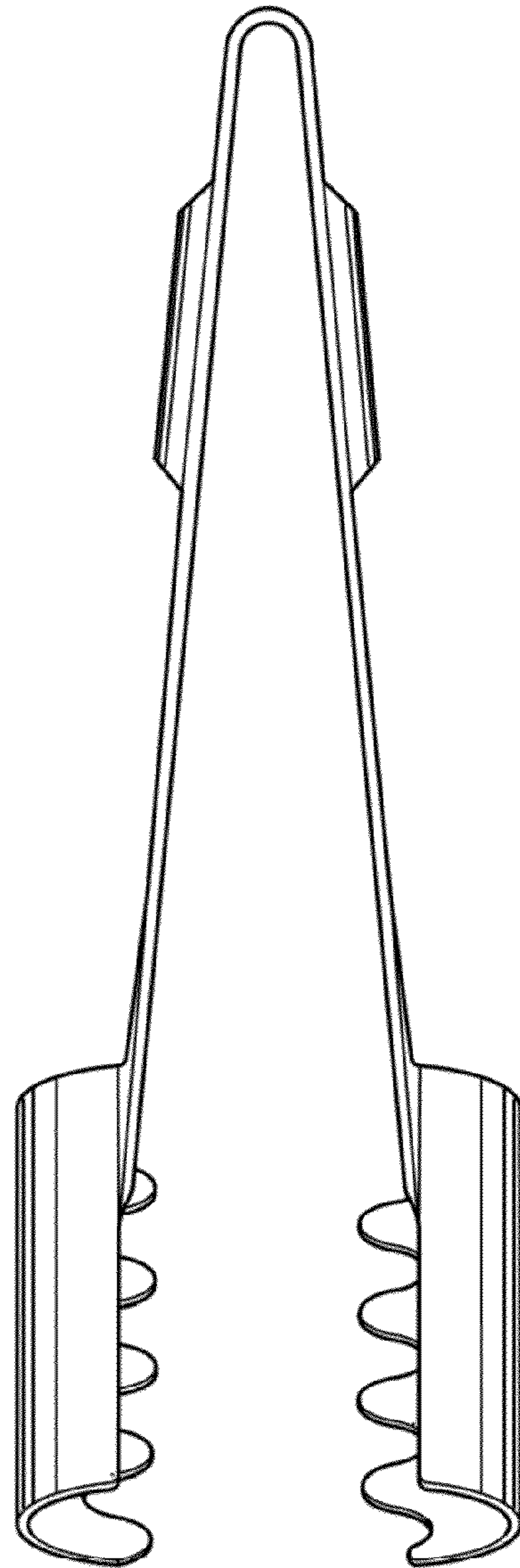


FIG. 4

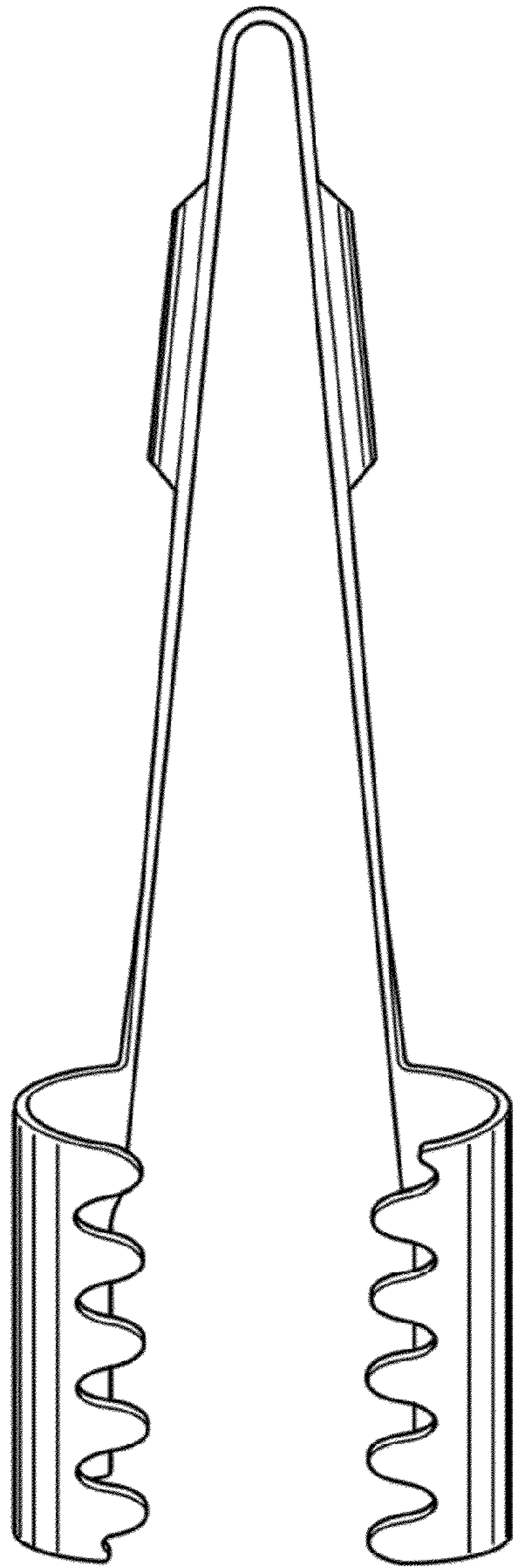


FIG. 5

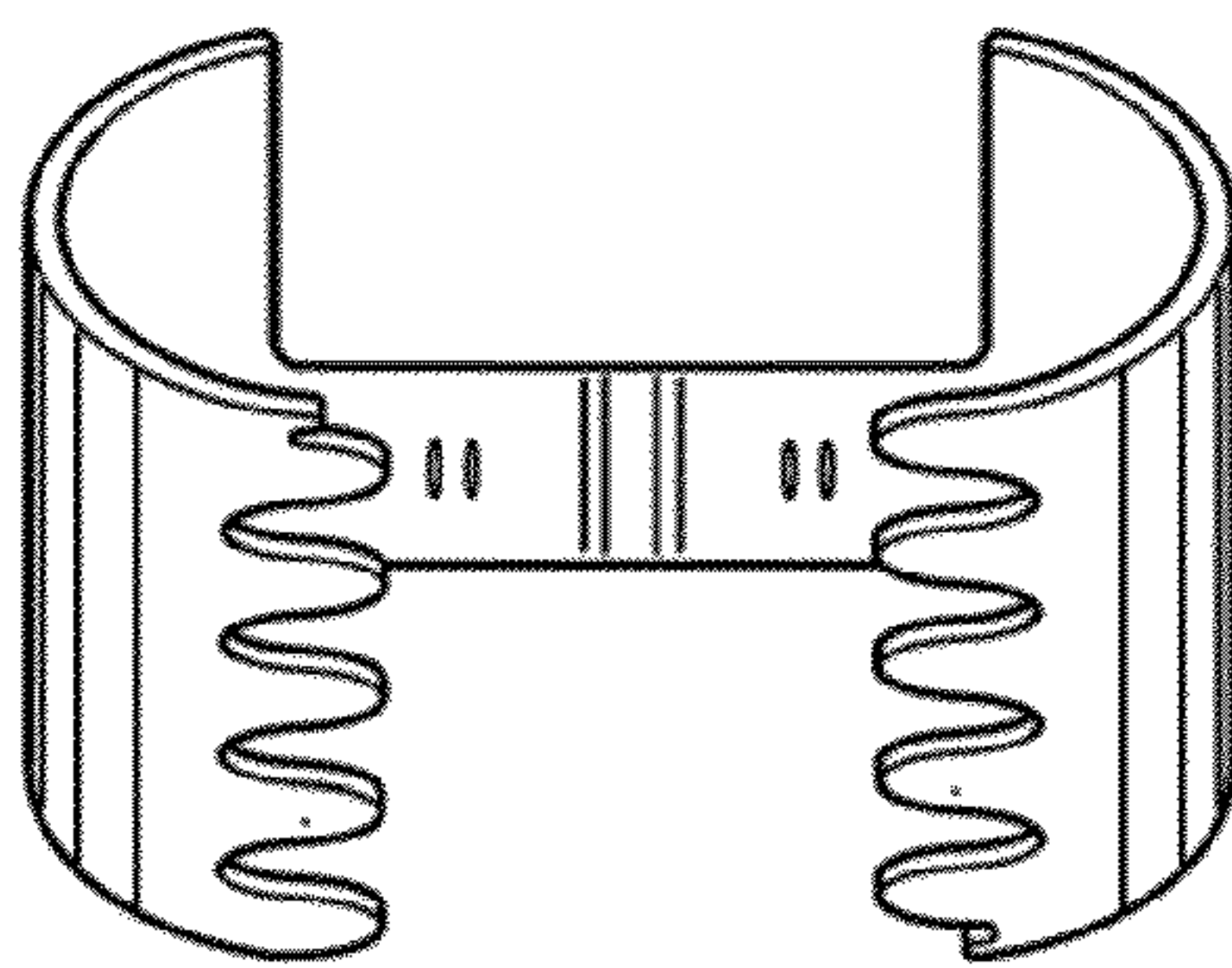


FIG. 6