



US00D679153S

(12) **United States Design Patent**
Sudmalis et al.

(10) **Patent No.:** **US D679,153 S**

(45) **Date of Patent:** **** Apr. 2, 2013**

(54) **FOOD HOLDER**

(75) Inventors: **Roland Sudmalis**, Chicago, IL (US);
Jamie Di Fonzo, Chicago, IL (US);
Justin Bagley, South Seattle, WA (US);
Sascha Kaposi, Tacoma, WA (US)

(73) Assignee: **Columbia Insurance Company**,
Omaha, NE (US)

(**) Term: **14 Years**

(21) Appl. No.: **29/392,610**

(22) Filed: **May 24, 2011**

(51) **LOC (9) Cl.** **07-04**

(52) **U.S. Cl.** **D7/673; D7/678**

(58) **Field of Classification Search** D7/672-678,
D7/384, 545, 412, 601, 368; 241/95, 36;
99/537, 508, 430; 83/247, 167, 858, 648,
83/874; 30/278, 286

See application file for complete search history.

(56) **References Cited**

U.S. PATENT DOCUMENTS

4,038,892	A	8/1977	Popeil	
D249,044	S	8/1978	Popeil	
D343,098	S *	1/1994	Shun	D7/678
D354,886	S *	1/1995	Diefenbach	D7/678
D377,297	S *	1/1997	Thompson	D7/673
D379,907	S *	6/1997	Israeli	D7/673
5,745,999	A *	5/1998	Zirkiev	30/278
D399,711	S *	10/1998	Cohen et al.	D7/673
6,732,622	B2	5/2004	Vincent	
D495,218	S *	8/2004	Yu	D7/673
D503,314	S *	3/2005	Wong	D7/673
7,066,071	B2 *	6/2006	Zeder et al.	83/698.11
7,107,890	B2 *	9/2006	Vincent	83/247
D534,041	S *	12/2006	De Buyer	D7/673
D535,160	S	1/2007	Ishii	
D567,583	S	4/2008	Klotz et al.	
D582,220	S *	12/2008	Farnum et al.	D7/672
D594,287	S *	6/2009	Ablo	D7/672
D618,066	S *	6/2010	De Buyer et al.	D7/673
7,837,137	B2 *	11/2010	Klotz et al.	241/95
D651,483	S *	1/2012	Bagley	D7/673

D651,868	S *	1/2012	Thornton	D7/673
8,151,678	B2 *	4/2012	Mah et al.	83/397
8,181,560	B2 *	5/2012	Hauser et al.	83/858
D667,280	S *	9/2012	Jalet	D7/678
2004/0200366	A1	10/2004	Koerselman et al.	
2006/0157599	A1 *	7/2006	Klotz et al.	241/95
2006/0261196	A1	11/2006	Klotz et al.	
2007/0062349	A1	3/2007	Ishii	
2007/0125207	A1	6/2007	Lucas et al.	
2008/0066603	A1 *	3/2008	Koerselman et al.	83/856
2008/0257128	A1 *	10/2008	Reimann et al.	83/699.61
2009/0255391	A1 *	10/2009	Hood et al.	83/648
2010/0326291	A1 *	12/2010	Wong	99/537

(Continued)

FOREIGN PATENT DOCUMENTS

WO	WO 2005/097436	A1	10/2005
WO	WO 2006/074704	A1	7/2006

OTHER PUBLICATIONS

U.S. Appl. No. 29/406,743, filed Nov. 18, 2011.

(Continued)

Primary Examiner — Jeffrey D Asch

(74) *Attorney, Agent, or Firm* — Neal Gerber & Eisenberg
LLP

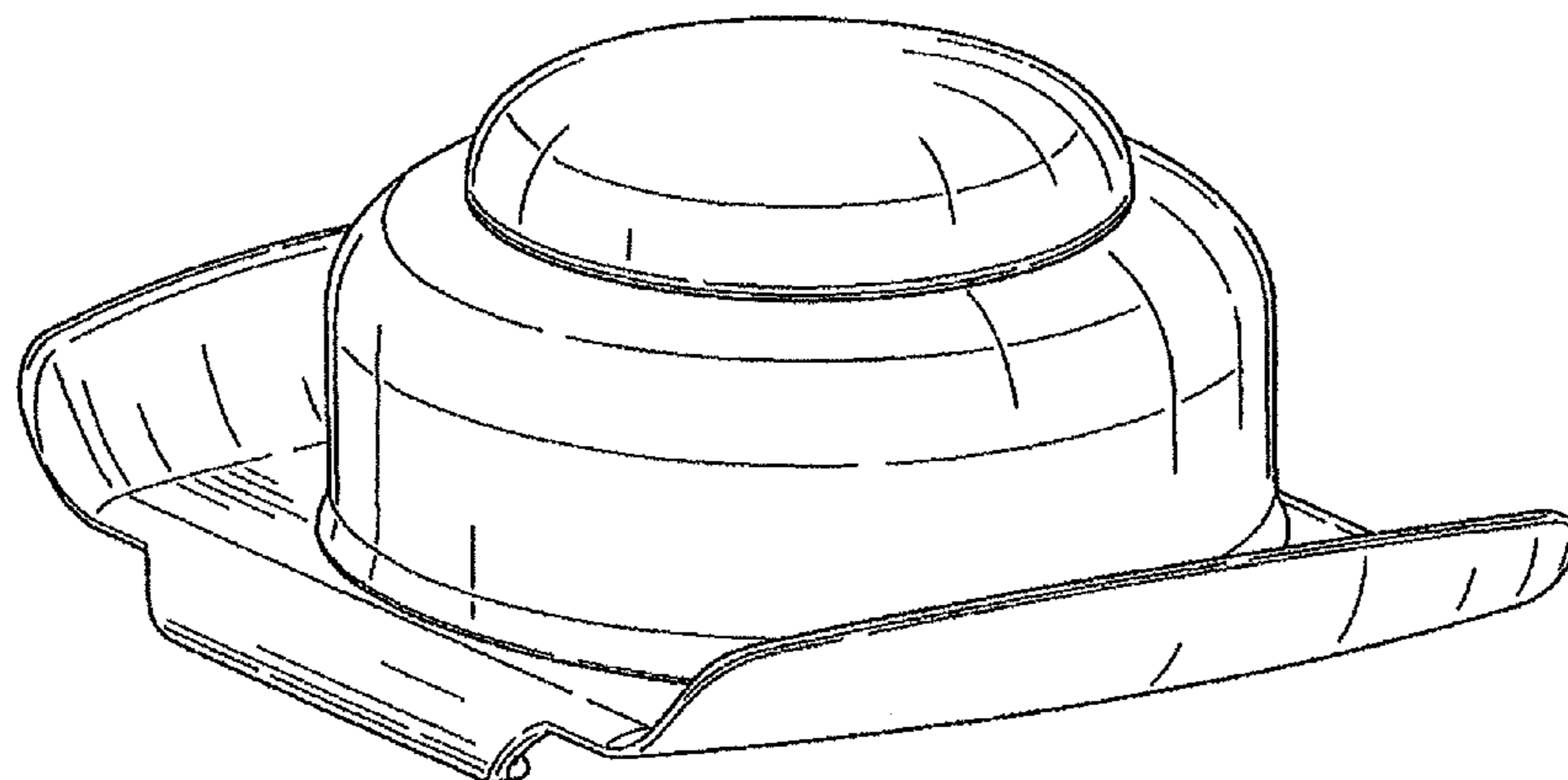
(57) **CLAIM**

The ornamental design for a food holder, as shown and described.

DESCRIPTION

FIG. 1 is a top perspective view of the food holder of the present invention;
FIG. 2 is a top plan view thereof;
FIG. 3 is a bottom plan view thereof;
FIG. 4 is a first side elevational view thereof, the opposite side being a mirror image thereof; and,
FIG. 5 is a second side elevational view thereof, the opposite side being a mirror image thereof.
The broken lines in the drawings illustrate the portions of the design that form no part of the claim.

1 Claim, 3 Drawing Sheets



US D679,153 S

Page 2

U.S. PATENT DOCUMENTS

2011/0094111 A1 4/2011 Hauser et al.
2011/0132161 A1* 6/2011 Robbins 83/13

OTHER PUBLICATIONS

U.S. Appl. No. 29/417,781, filed Apr. 9, 2012.

U.S. Appl. No. 29/417,806, filed Apr. 9, 2012.

The Pampered Chef Fall/Winter 2010 Product Catalog (published at least as early as Sep. 2010, the Ultimate Mandoline, p. 30 (selected pages)).

* cited by examiner

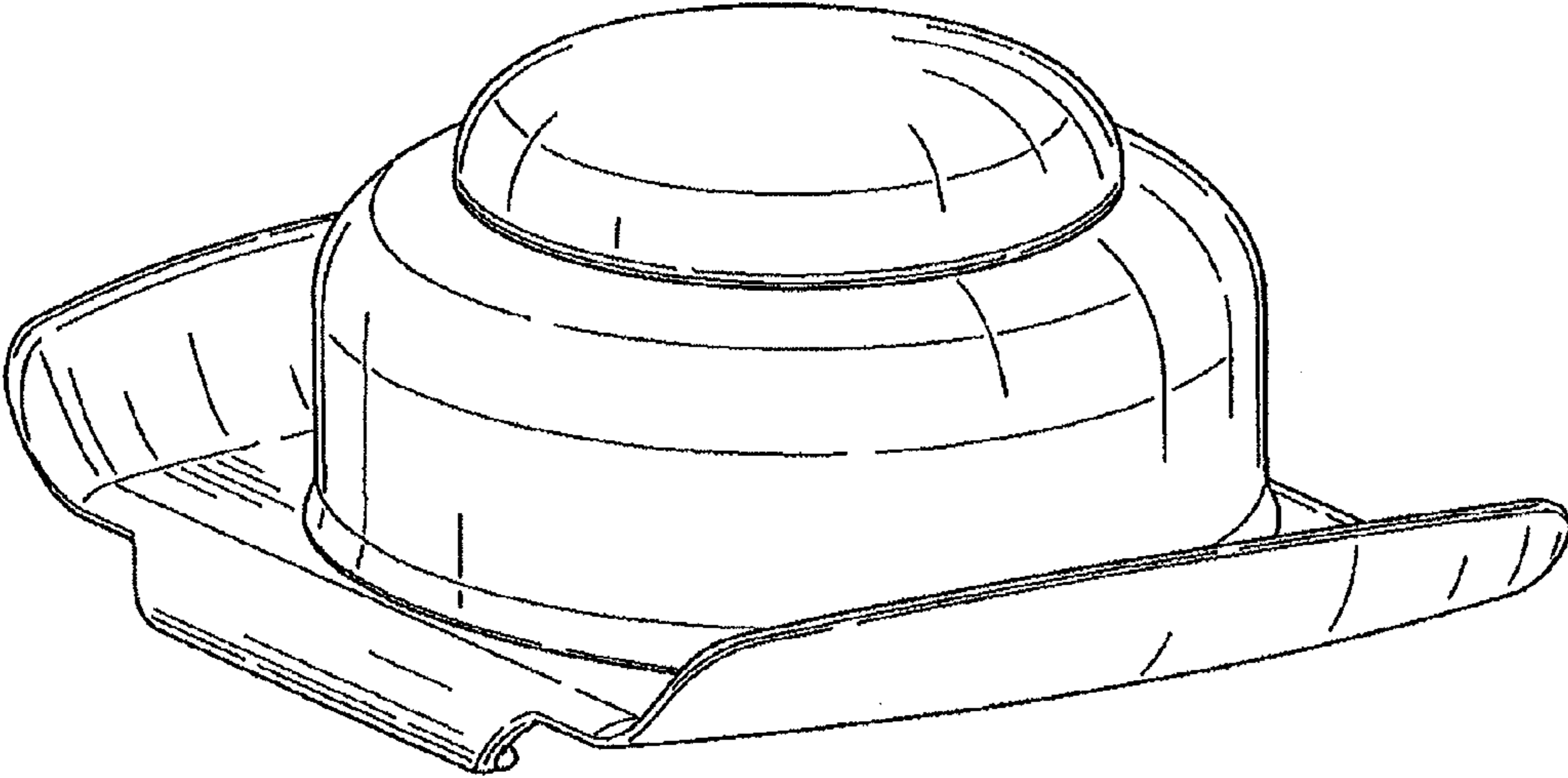


FIG. 1

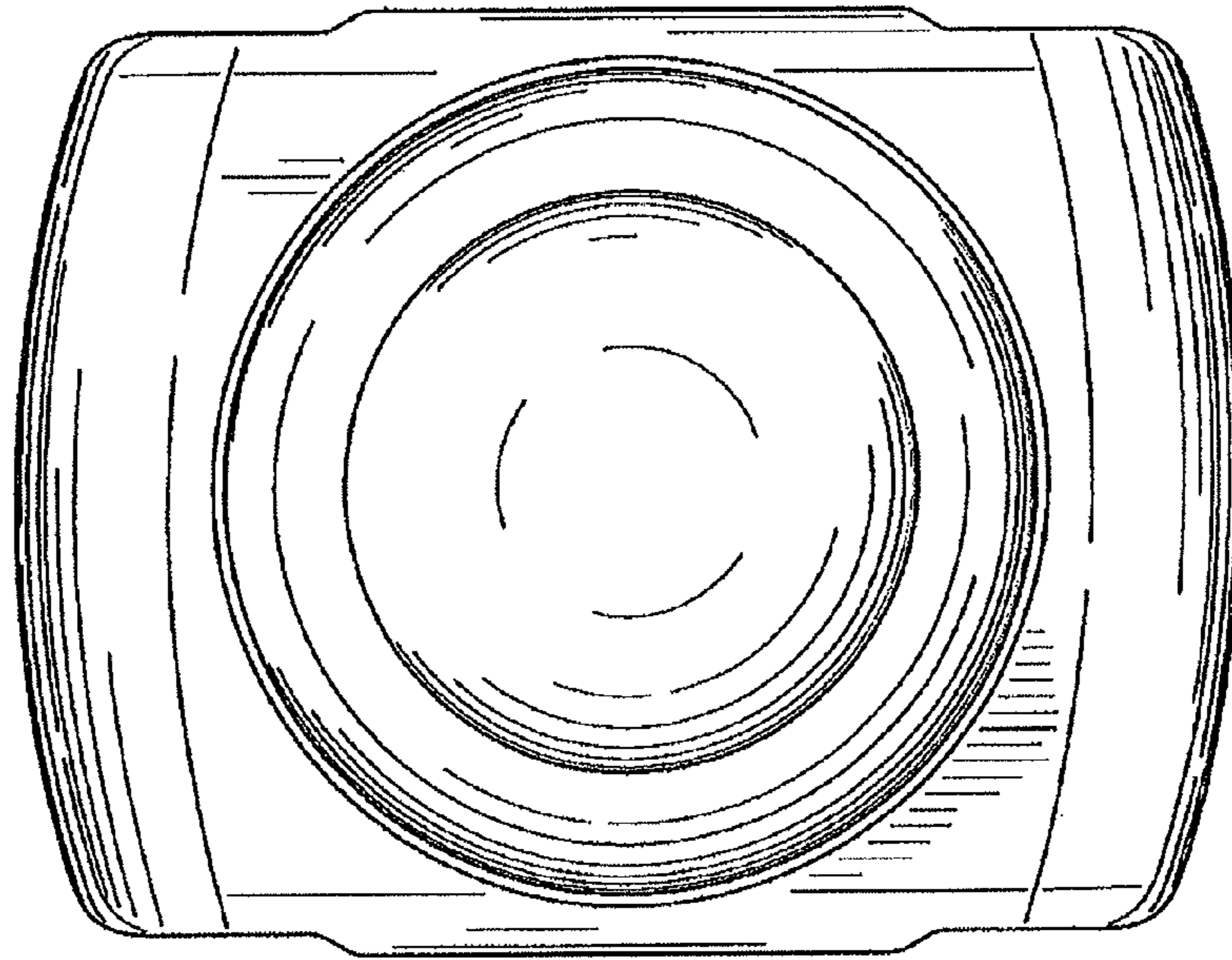


FIG. 2

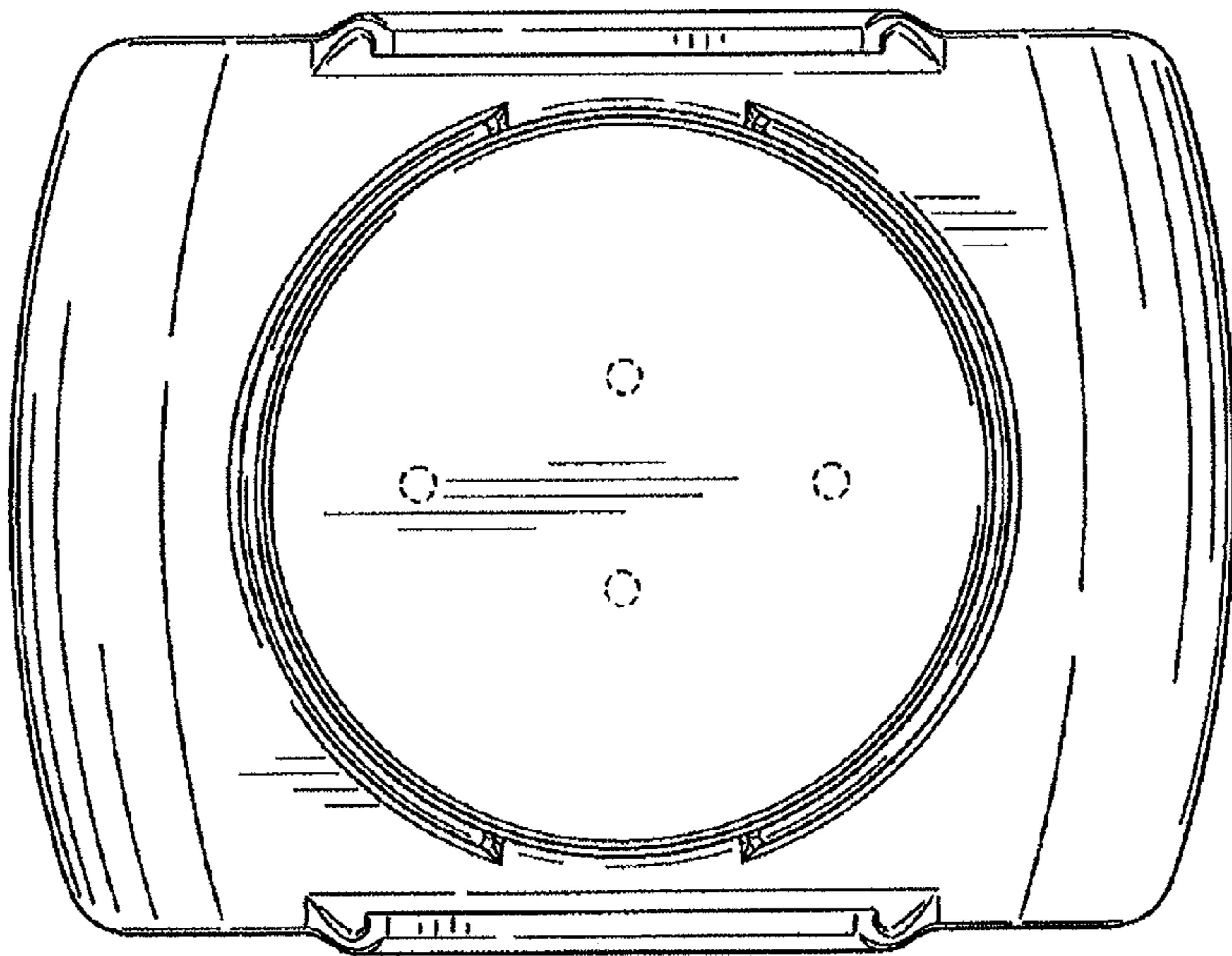


FIG. 3

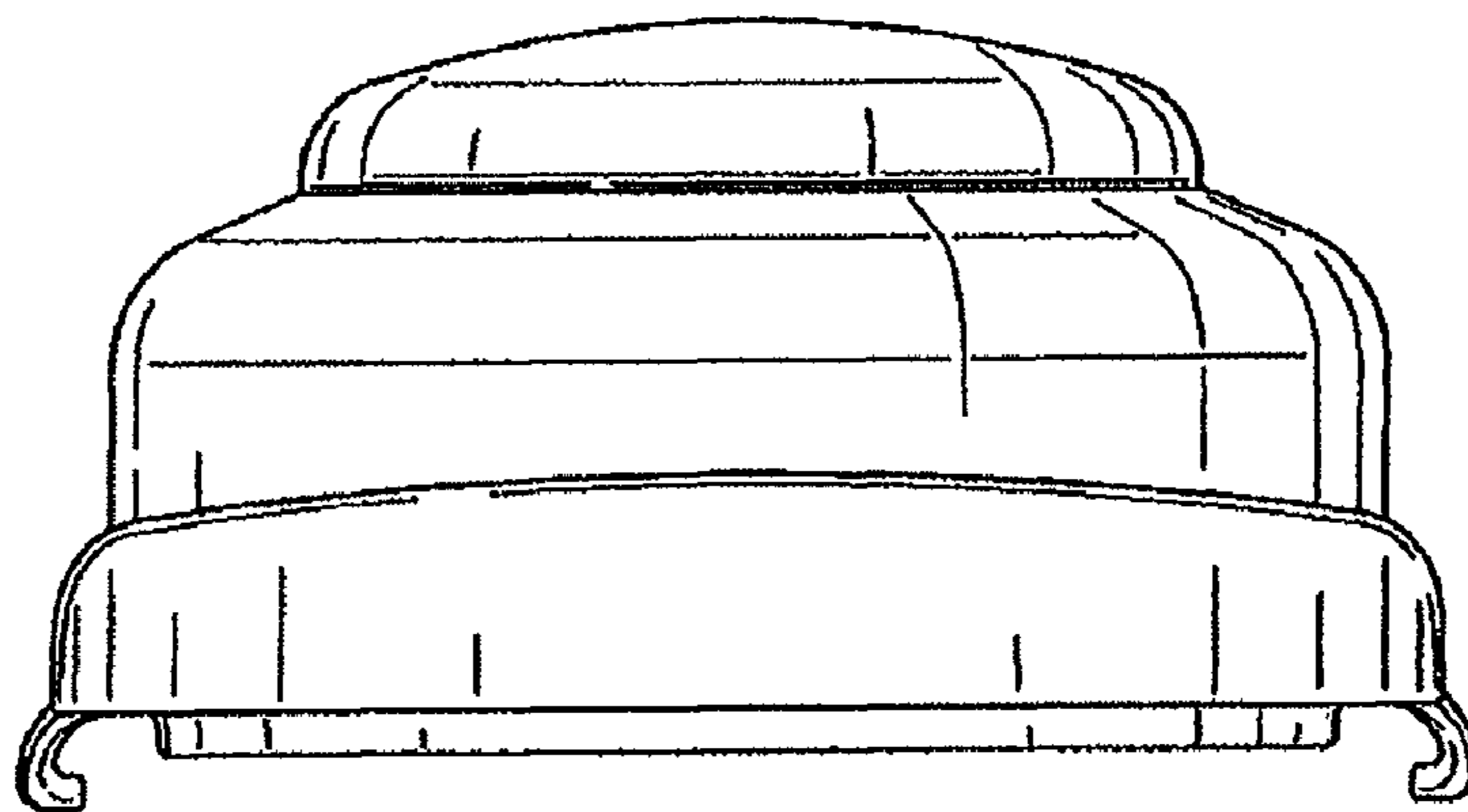


FIG. 4

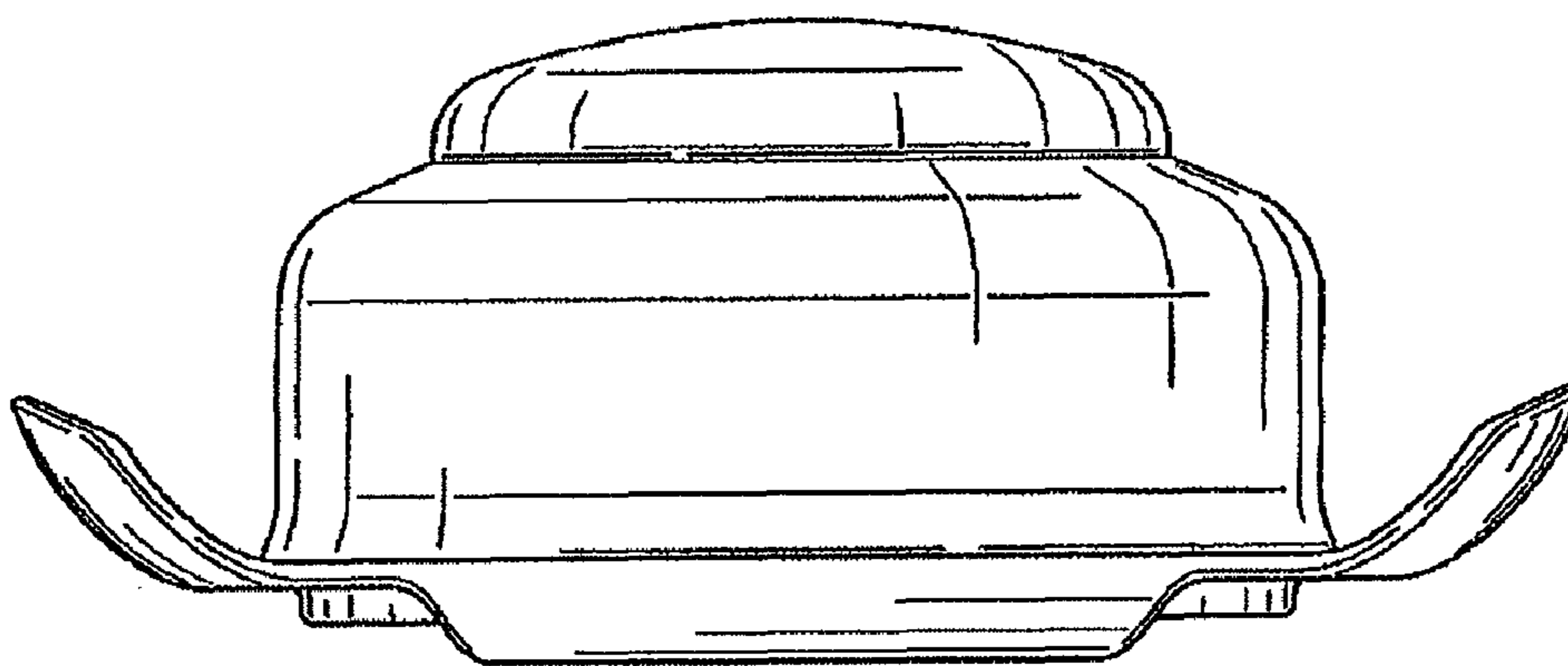


FIG. 5