



US00D679149S

(12) **United States Design Patent**
Berkovitch

(10) **Patent No.:** **US D679,149 S**

(45) **Date of Patent:** **** Apr. 2, 2013**

(54) **CONTAINER WITH DIVIDERS**

(76) Inventor: **Tamir Berkovitch**, Tel Aviv (IL)

(**) Term: **14 Years**

(21) Appl. No.: **29/413,728**

(22) Filed: **Feb. 20, 2012**

(30) **Foreign Application Priority Data**

Aug. 21, 2011 (IL) 51456

(51) **LOC (9) Cl.** **07-07**

(52) **U.S. Cl.** **D7/629**

(58) **Field of Classification Search** D7/602,
D7/629, 630, 538-542, 312, 321, 322, 510,
D7/511; D9/529, 542, 543, 541, 559, 600;
215/382-384, 12.1, 12.2, 13.1; 220/780-802,
220/574-575, 326, 236

See application file for complete search history.

(56) **References Cited**

U.S. PATENT DOCUMENTS

D421,547 S * 3/2000 Demers D7/510
D440,485 S * 4/2001 Manderfield, Jr. D9/600

D449,494 S * 10/2001 Cousins D7/629
D476,861 S * 7/2003 Zettle et al. D7/629
D482,936 S * 12/2003 Miller et al. D7/629
D498,389 S * 11/2004 Tollman D7/538
D537,300 S * 2/2007 Kim D7/629
D539,093 S * 3/2007 Robinson D7/545

* cited by examiner

Primary Examiner — Terry Wallace

(74) *Attorney, Agent, or Firm* — Deborah Gador

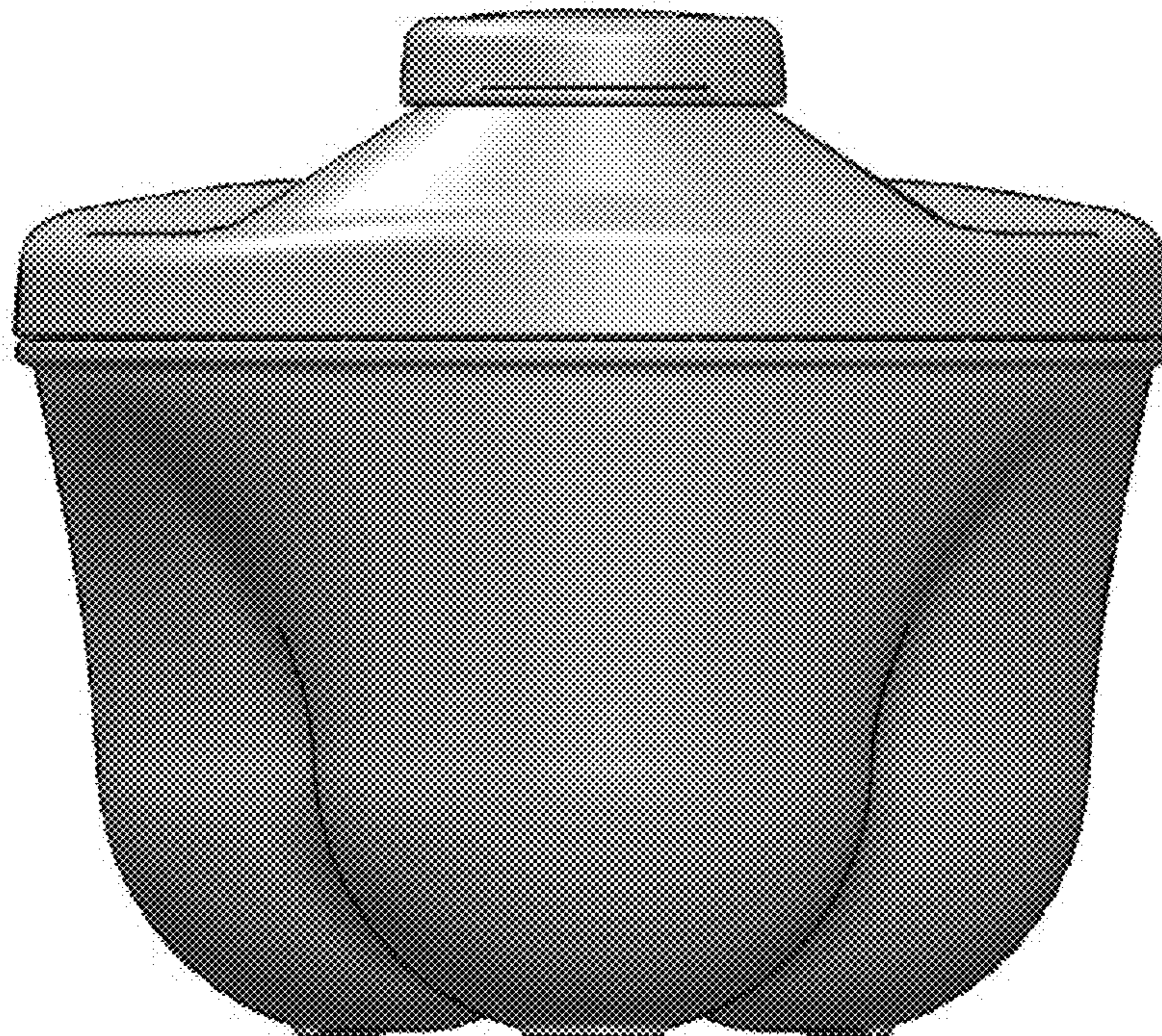
(57) **CLAIM**

The ornamental design for a container with dividers, as shown and described.

DESCRIPTION

FIG. 1 is a front view of the claimed container with dividers;
FIG. 2 is a back view thereof;
FIG. 3 is a top view thereof;
FIG. 4 is a left view thereof;
FIG. 5 is a right view thereof;
FIG. 6 is a bottom view thereof;
FIG. 7 is a front isometric view thereof; and,
FIG. 8 is a rear isometric view thereof.

1 Claim, 8 Drawing Sheets



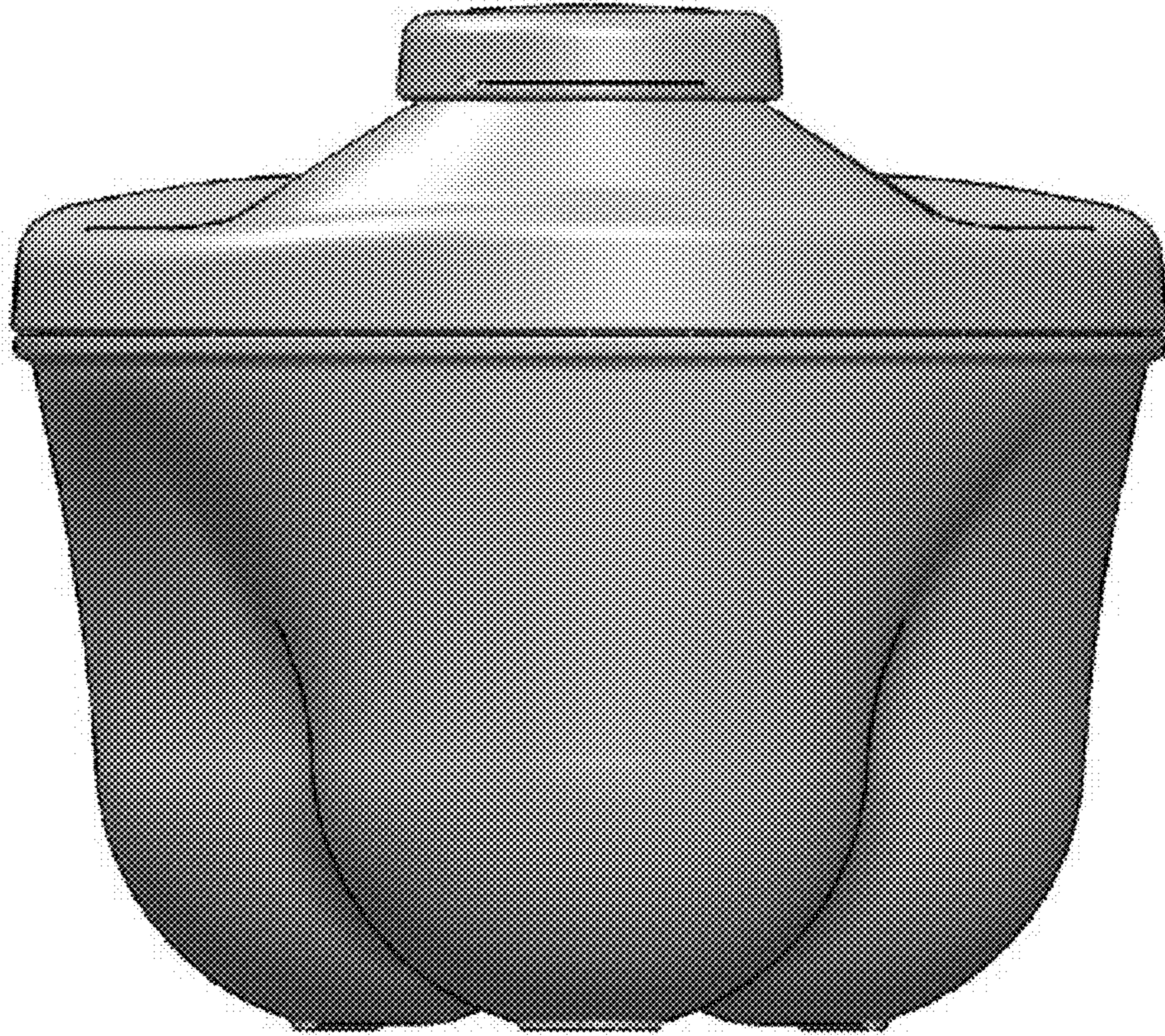


FIG. 1



FIG. 2

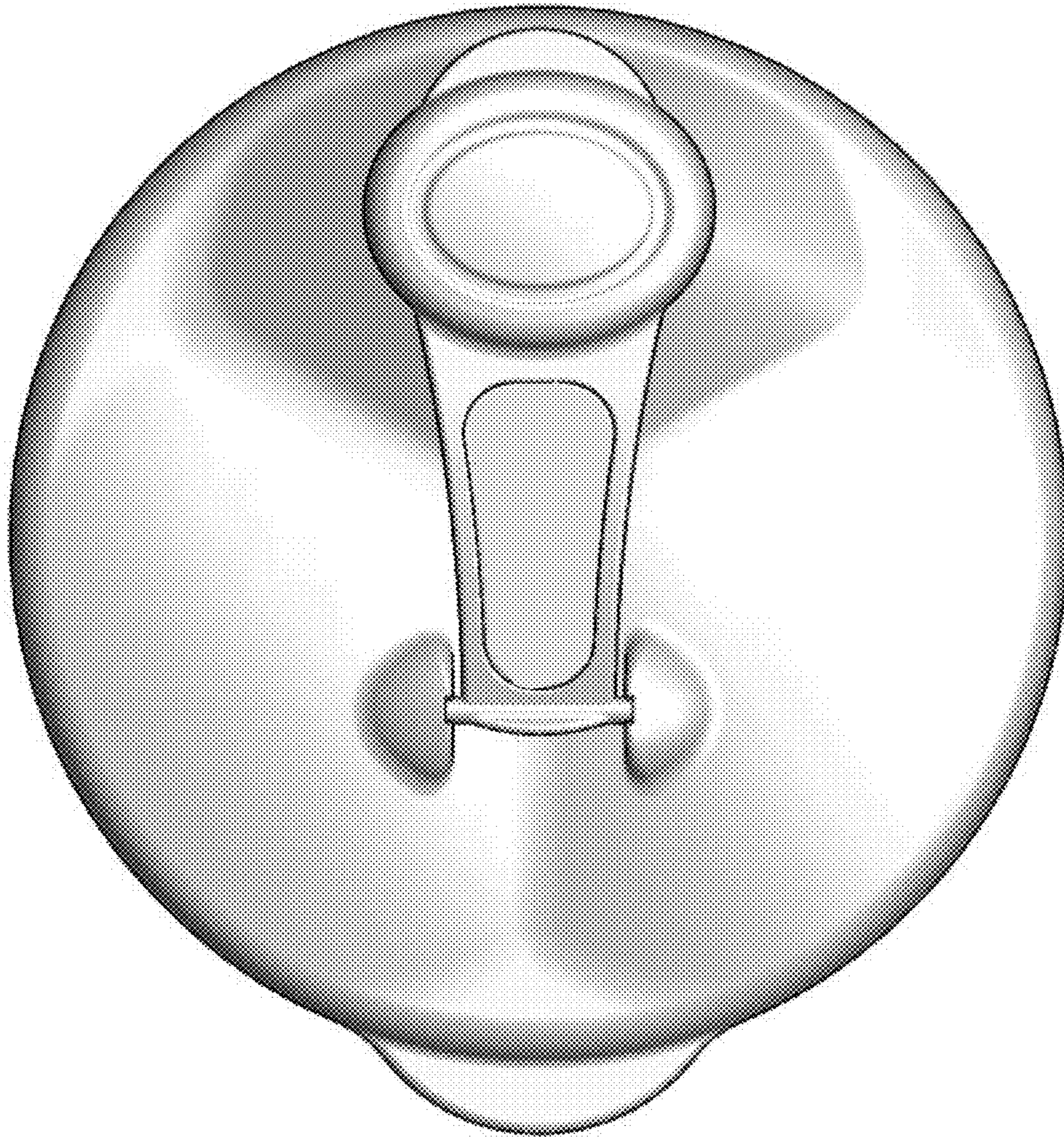


FIG. 3

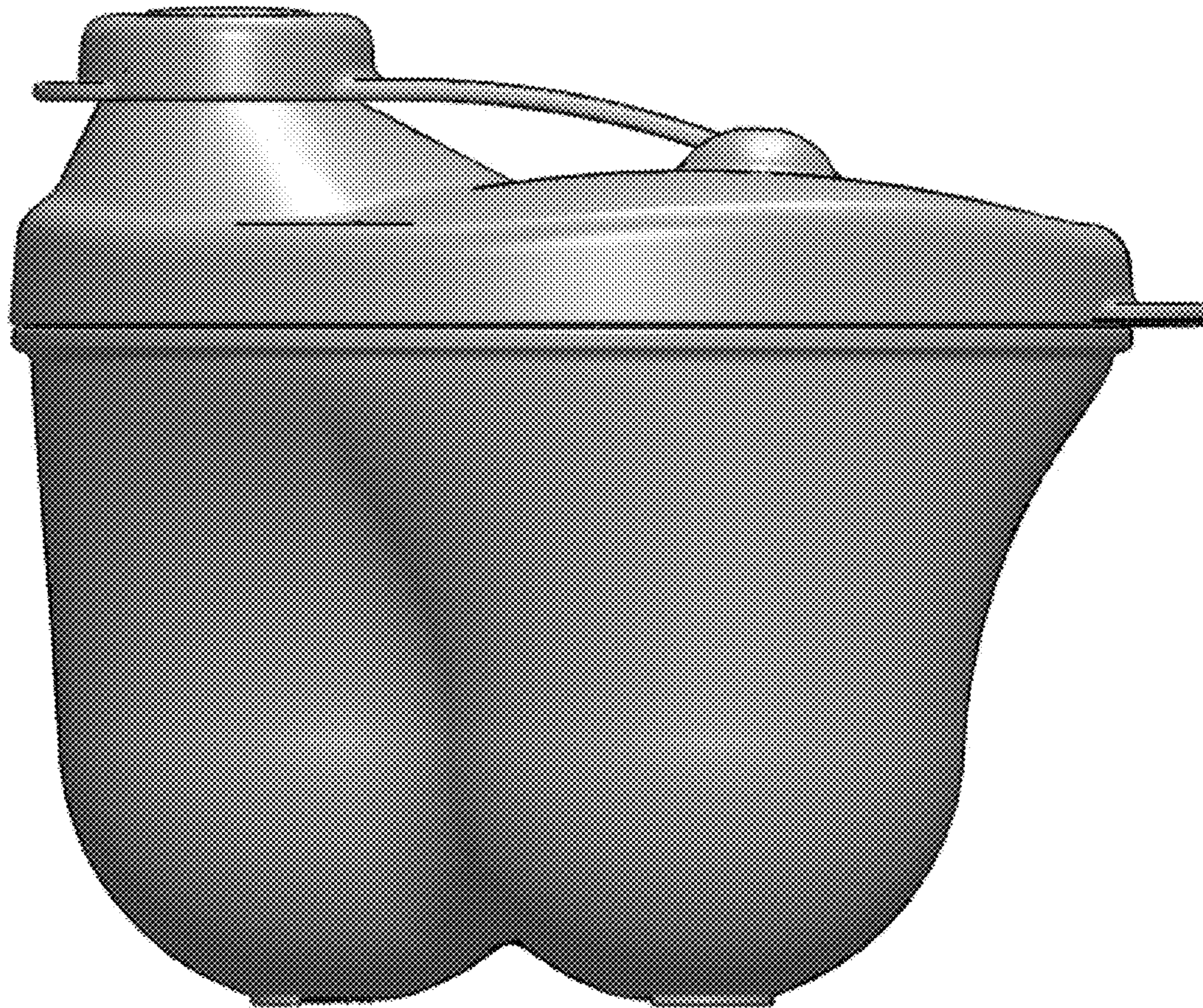


FIG. 4

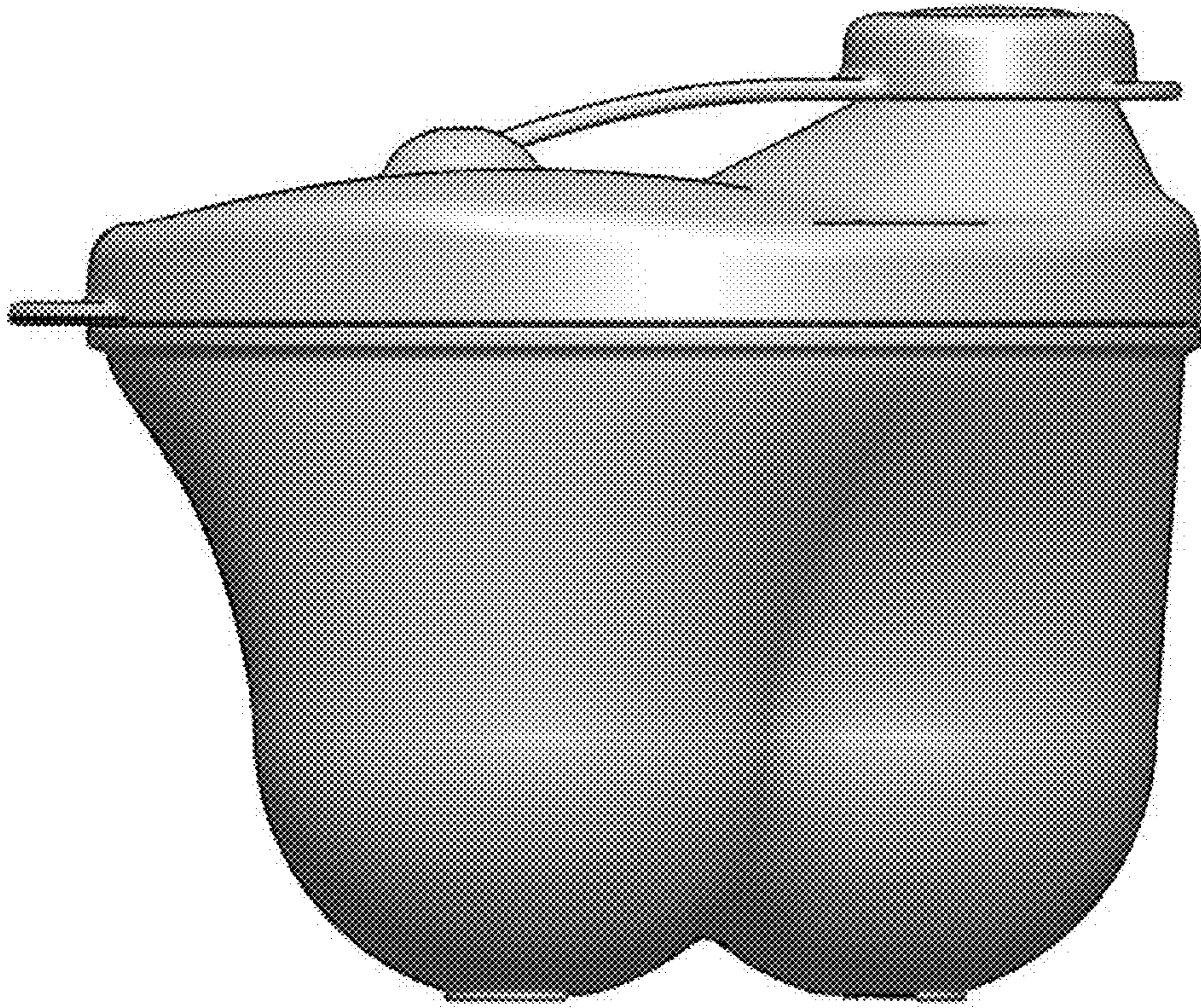


FIG. 5

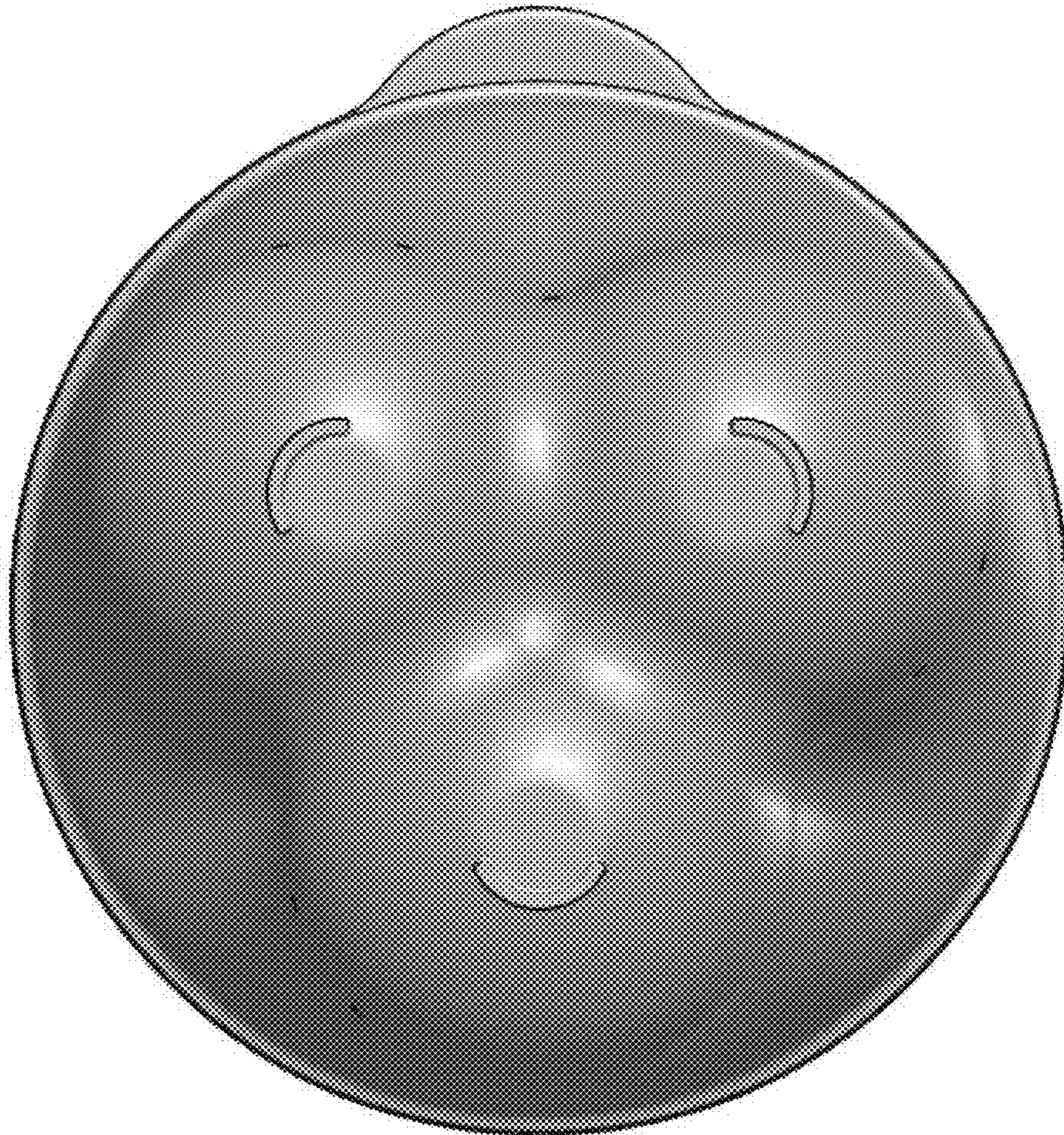


FIG. 6



FIG. 7



FIG. 8