



US00D679146S

(12) **United States Design Patent**
Rincon

(10) **Patent No.:** **US D679,146 S**

(45) **Date of Patent:** **** Apr. 2, 2013**

(54) **CUP HOLDER WITH PRESSURE CLIP**

(75) Inventor: **Alfonso Jesus Rincon**, Miami, FL (US)

(73) Assignee: **Alfonso J. Rincon**, Miami, FL (US)

(**) Term: **14 Years**

(21) Appl. No.: **29/401,639**

(22) Filed: **Sep. 13, 2011**

(51) **LOC (9) Cl.** **07-06**

(52) **U.S. Cl.** **D7/620**

(58) **Field of Classification Search** D7/619.1-625,
D7/701-708; 224/409, 547, 926; 248/311.2,
248/309.1, 314, 311.1, 311.3; 220/737, 739;
211/74, 71.01

See application file for complete search history.

(56) **References Cited**

U.S. PATENT DOCUMENTS

4,957,254 A * 9/1990 Hill et al. 248/207
D373,935 S * 9/1996 Cole et al. D7/621
5,857,601 A * 1/1999 Greenwood 224/409

D423,884 S * 5/2000 Greenwood D7/620
D570,162 S * 6/2008 Blais D7/620
D600,077 S * 9/2009 Barnes, Jr. D7/620
D604,564 S * 11/2009 Walter D7/620

* cited by examiner

Primary Examiner — Terry Wallace

(74) *Attorney, Agent, or Firm* — Miguel Albornoz

(57) **CLAIM**

The ornamental design for a cup holder with pressure clip, as shown.

DESCRIPTION

FIG. 1 is a top plan view of the cup holder with pressure clip showing my new design.

FIG. 2 is a front view thereof.

FIG. 3 is a bottom plan view thereof.

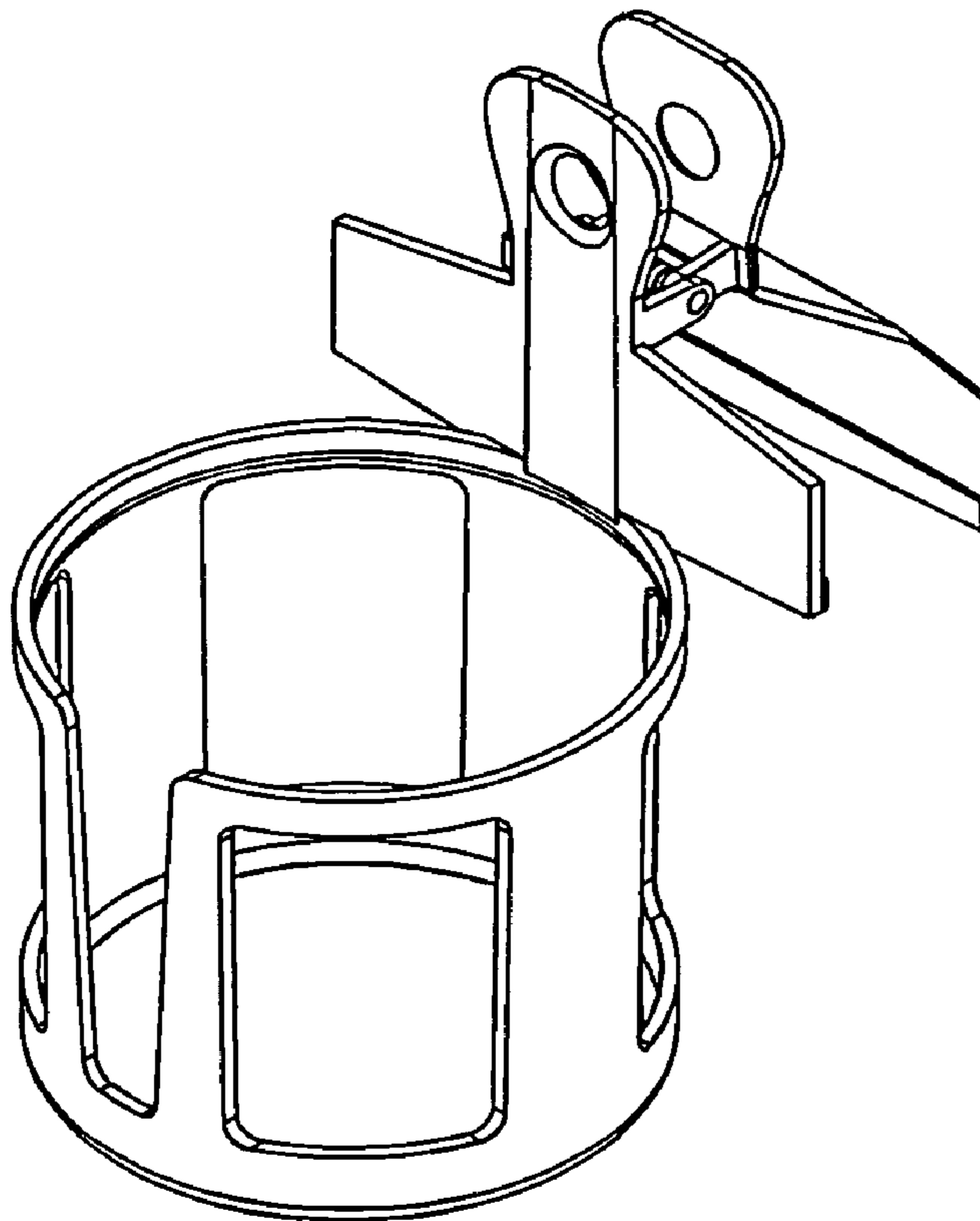
FIG. 4 is a side view thereof.

FIG. 5 is an opposite side view thereof.

FIG. 6 is a front perspective view thereof; and,

FIG. 7 is a rear perspective view thereof.

1 Claim, 7 Drawing Sheets



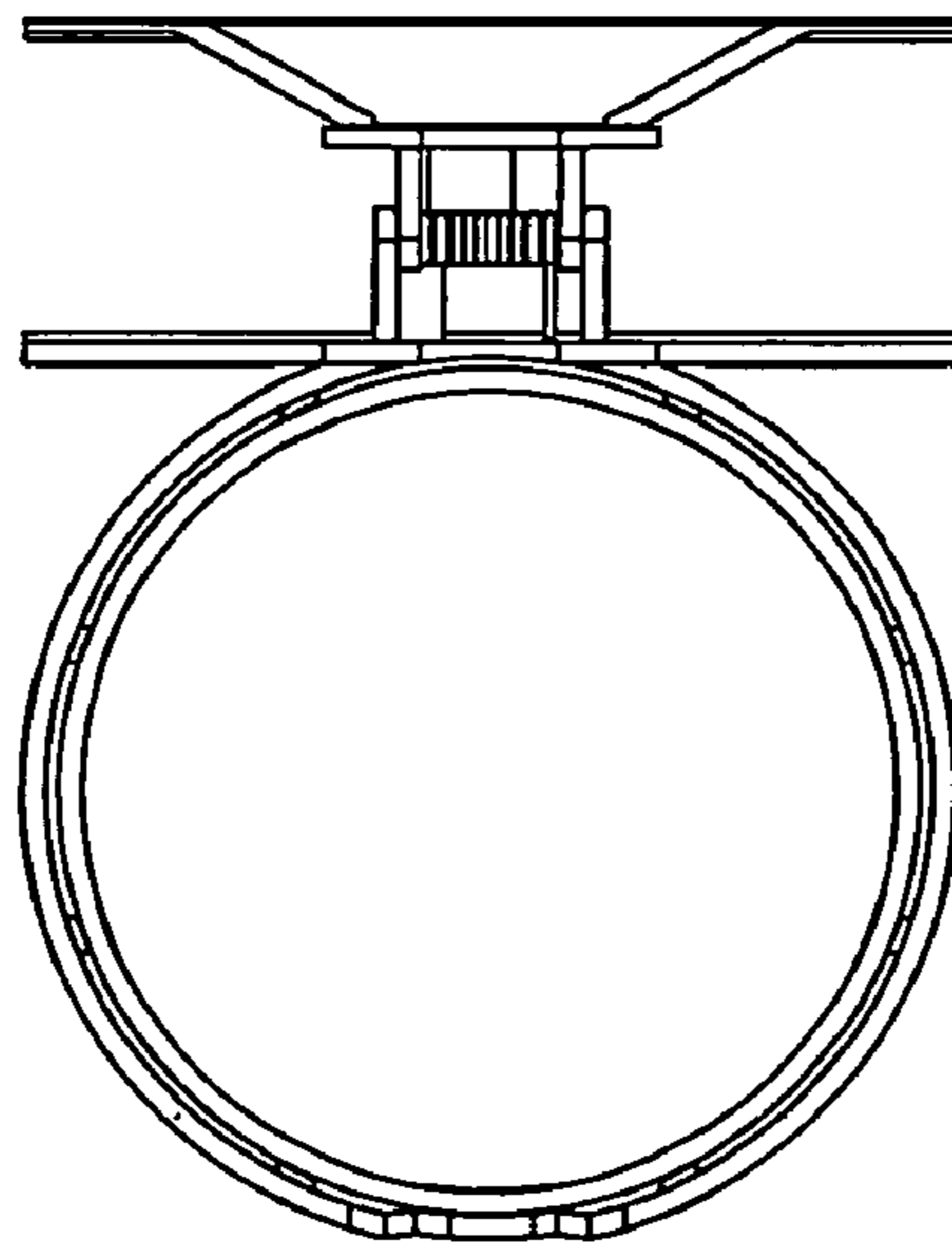


Fig. 1

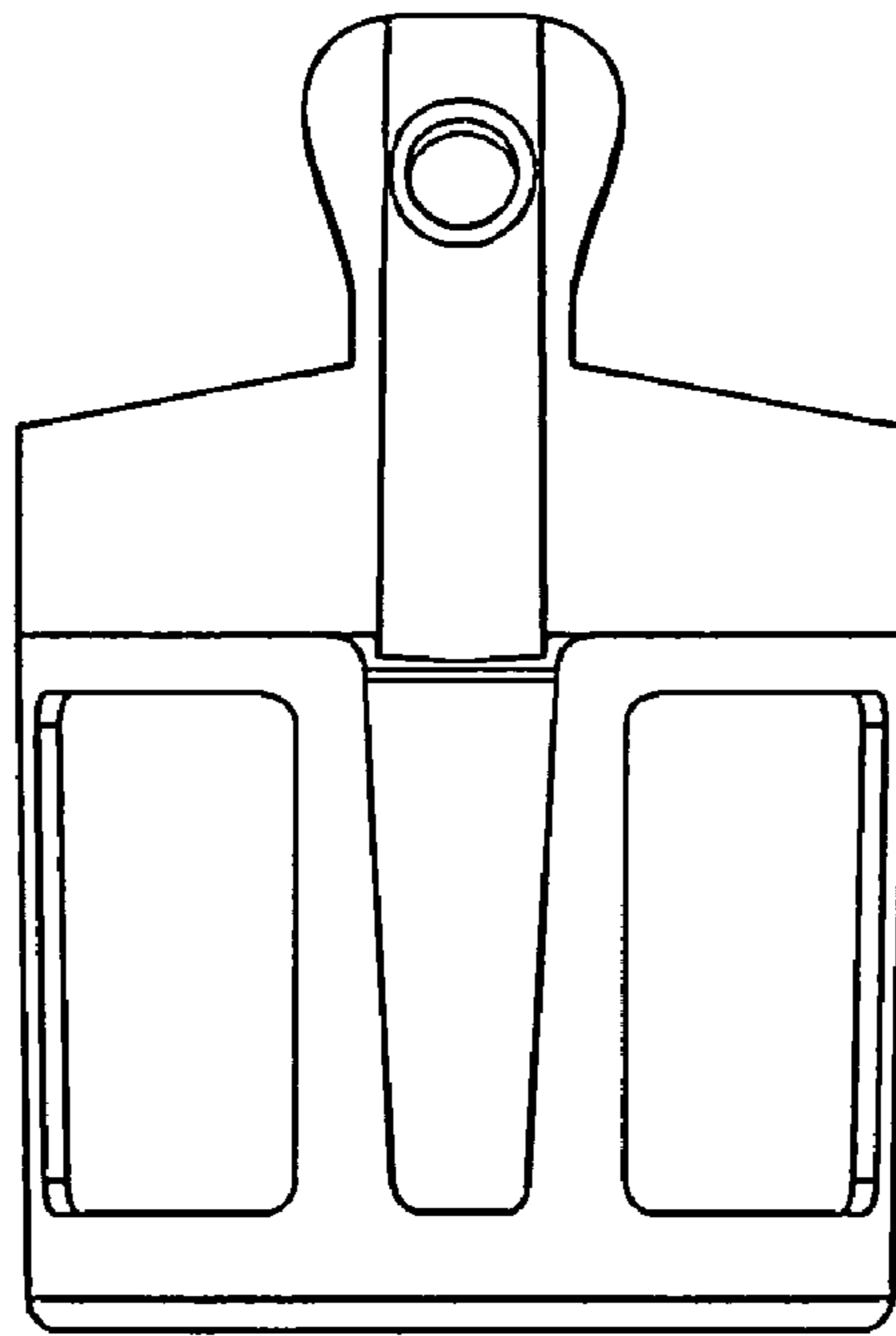


Fig. 2

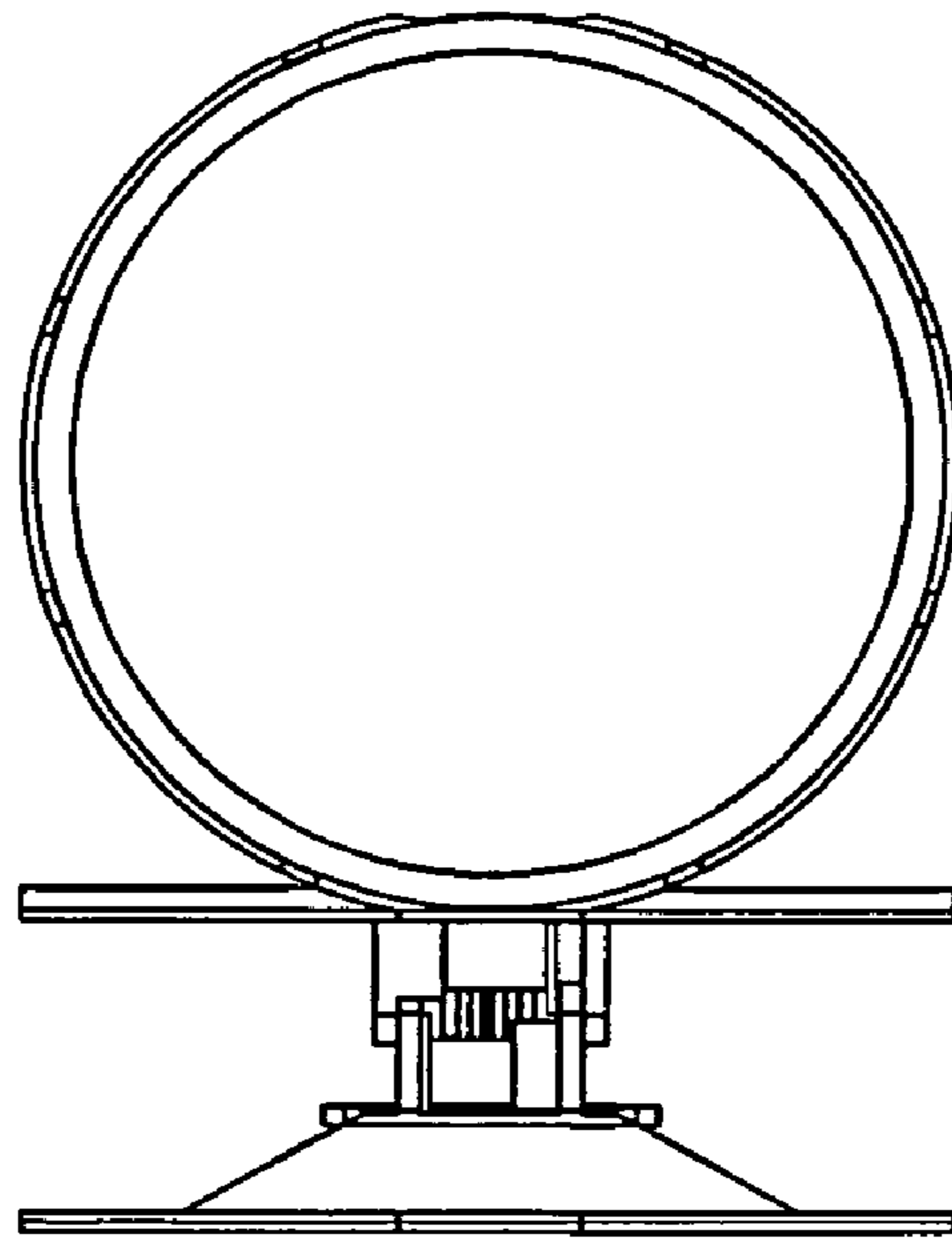


Fig. 3

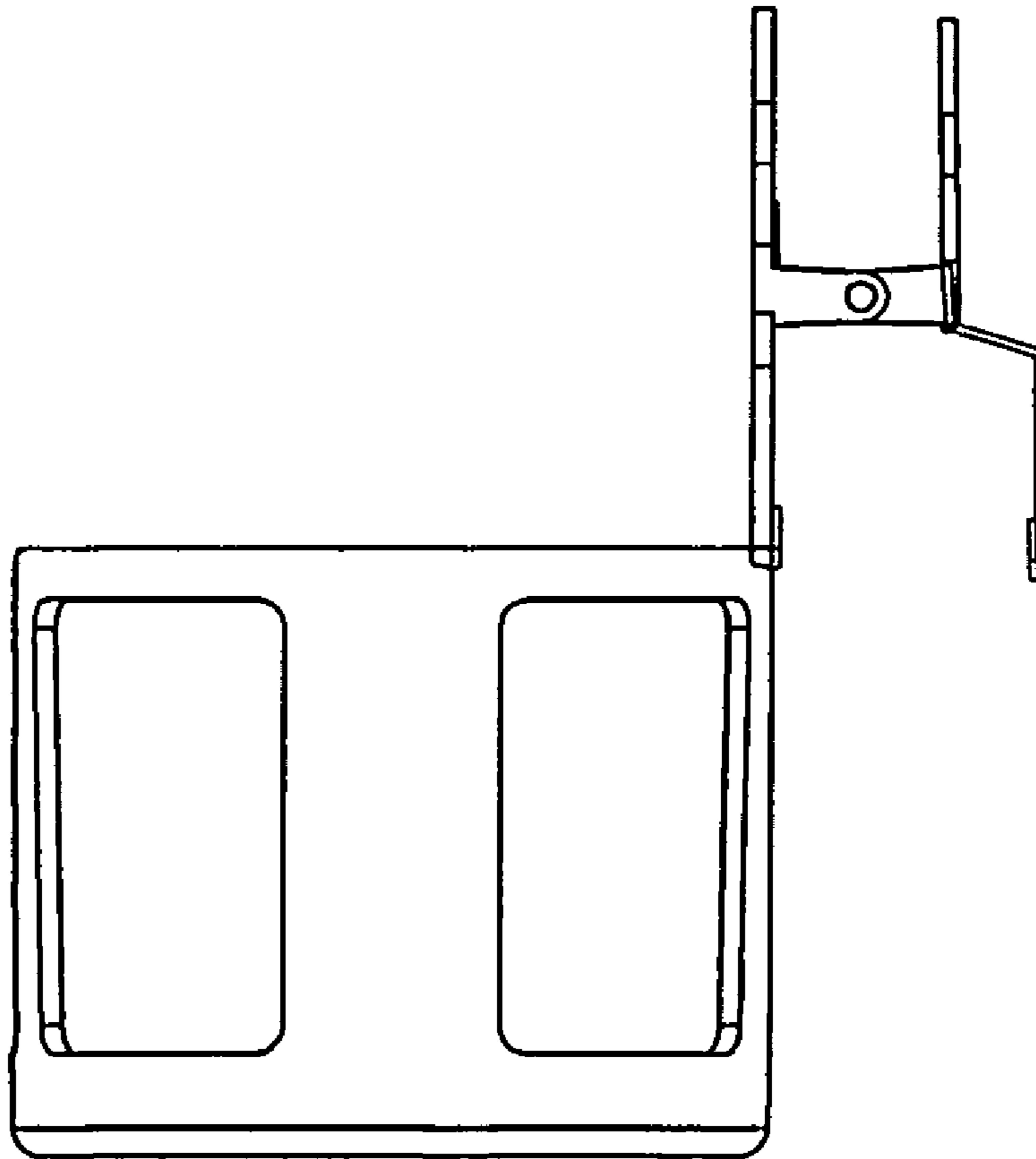


Fig. 4

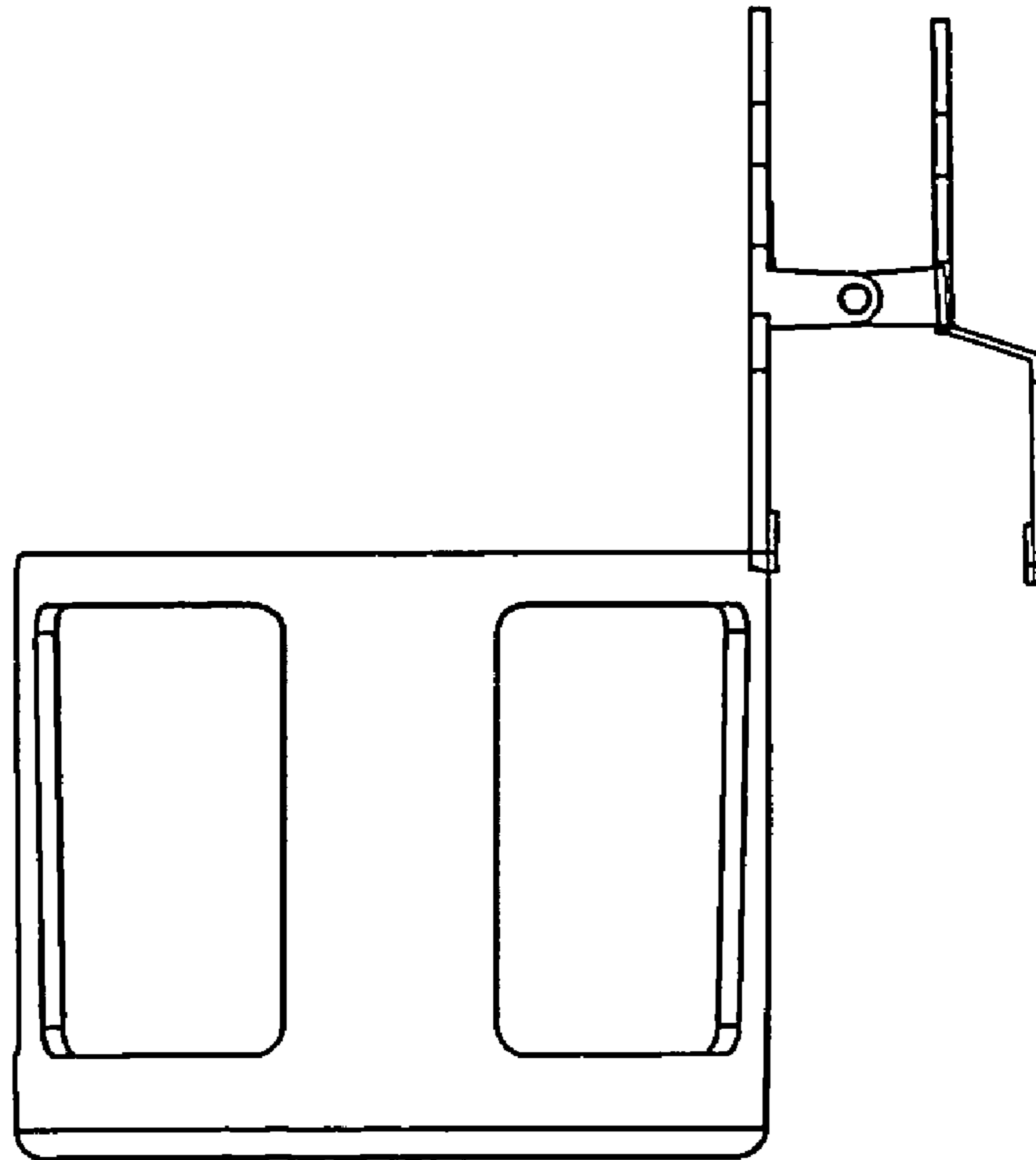


Fig.5

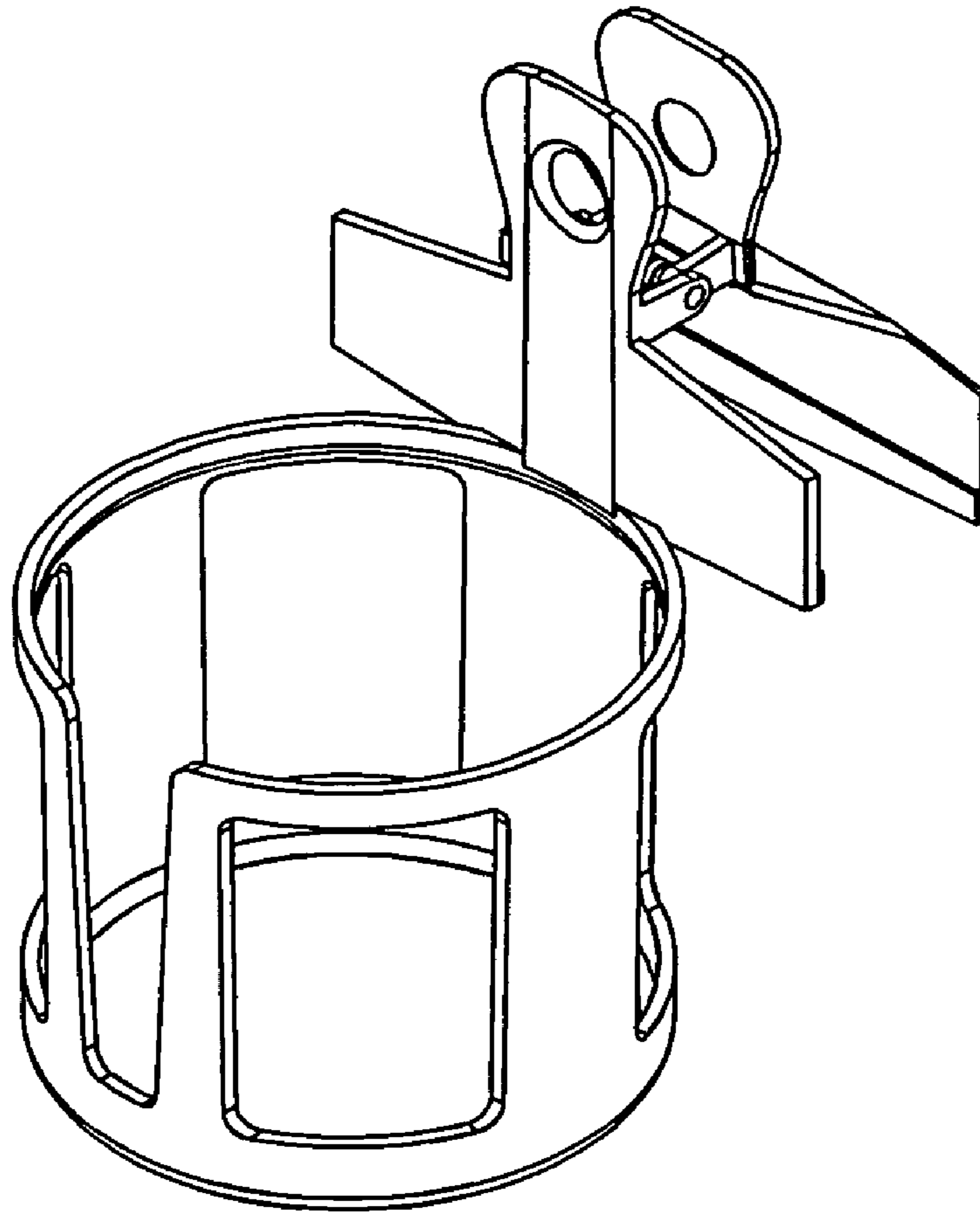


Fig.6

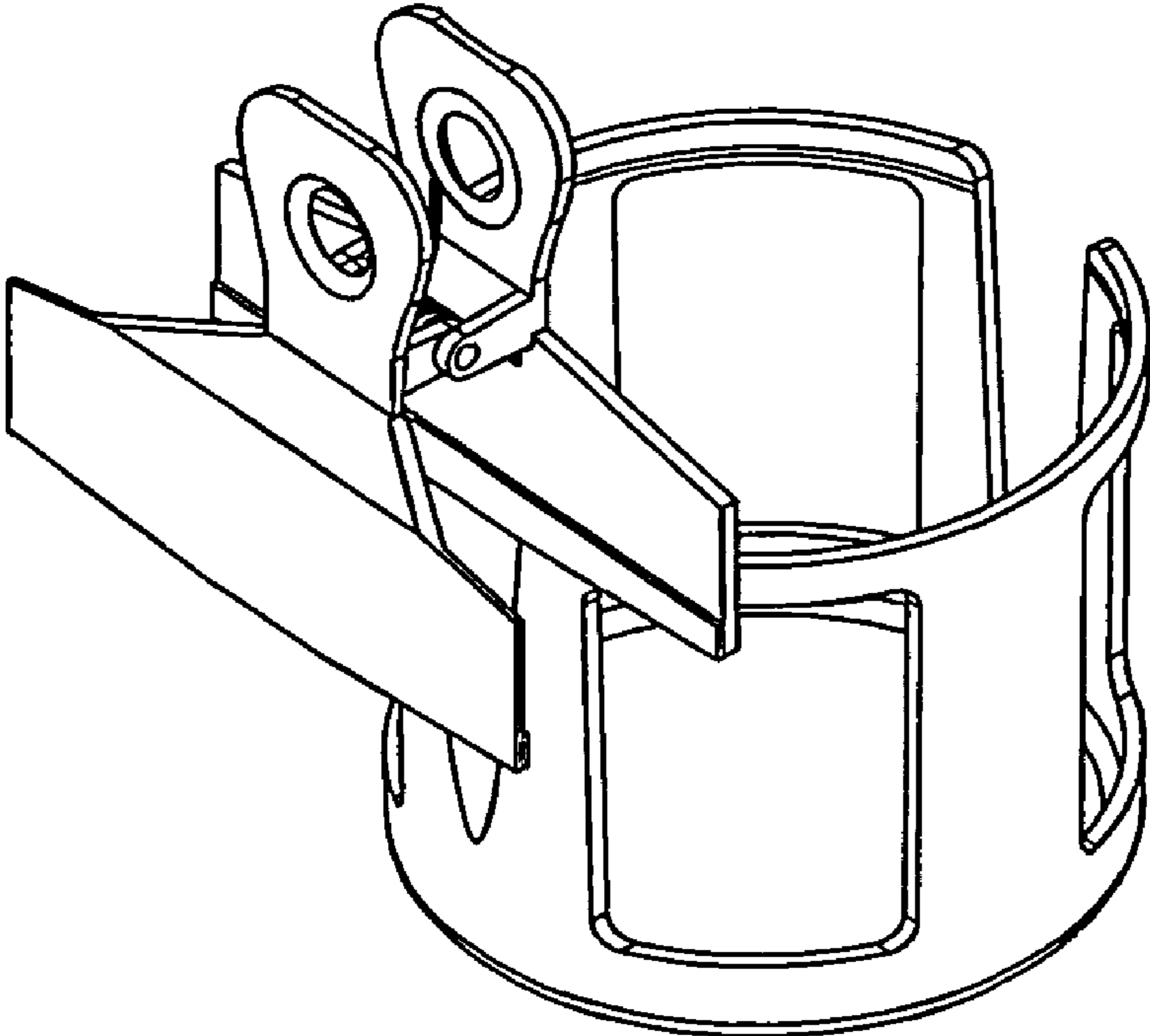


Fig.7