



US00D679145S

(12) **United States Design Patent**  
**Wisniewski**

(10) **Patent No.:** **US D679,145 S**  
(45) **Date of Patent:** **\*\* Apr. 2, 2013**

(54) **SALT AND PEPPER SHAKER SET**

(75) Inventor: **Alan Wisniewski**, Stouffville (CA)

(73) Assignee: **Umbra LLC**, Buffalo, NY (US)

(\*\*) Term: **14 Years**

(21) Appl. No.: **29/423,016**

(22) Filed: **May 25, 2012**

(51) **LOC (9) Cl.** ..... **07-06**

(52) **U.S. Cl.** ..... **D7/594**

(58) **Field of Classification Search** ..... D7/590–599,  
D7/317, 372, 373, 401.1, 517, 506, 514, 515,  
D7/516, 520, 613; D9/500, 503, 505, 515,  
D9/549, 559, 574, 575, 627, 628, 905;  
222/142.1–142.9, 450–452, 480; 241/169,  
241/169.1, 169.2; D21/576, 577, 590, 594,  
D21/595, 621

See application file for complete search history.

(56) **References Cited**

**U.S. PATENT DOCUMENTS**

D79,106 S *	7/1929	Scroggs	.....	D7/595
D91,555 S *	2/1934	Dulany	.....	D7/592
D95,311 S *	4/1935	Braun	.....	D7/595
2,028,870 A *	1/1936	Jennings	.....	222/173
D104,135 S *	4/1937	Fuerst	.....	D7/597
D126,415 S *	4/1941	Karoff	.....	D9/627
D158,943 S *	6/1950	Dokus et al.	.....	D7/595
D311,664 S *	10/1990	Stevens, Jr.	.....	D7/591
D336,728 S *	6/1993	Ancona et al.	.....	D7/591
D429,450 S *	8/2000	Hansen et al.	.....	D7/634
D464,532 S *	10/2002	Mantilla	.....	D7/594

**OTHER PUBLICATIONS**

Woman's Day—Buddy System, [online], commented on Oct. 29, 2012, retrieved on Nov. 3, 2012. Retrieved from, <URL: http://www.womansday.com/life/holidays/buddy-salt-and-pepper-shakers>, 1 page.\*

Shakers—Salt and Pepper Men, [online], retrieved on Nov. 8, 2012. Retrieved from, <URL: http://kitchen-goddess.yumsugar.com/tag/shakers>, 1 page.\*

\* cited by examiner

*Primary Examiner* — Ian Simmons

*Assistant Examiner* — Shannon Weekley

(74) *Attorney, Agent, or Firm* — Simpson & Simpson, PLLC

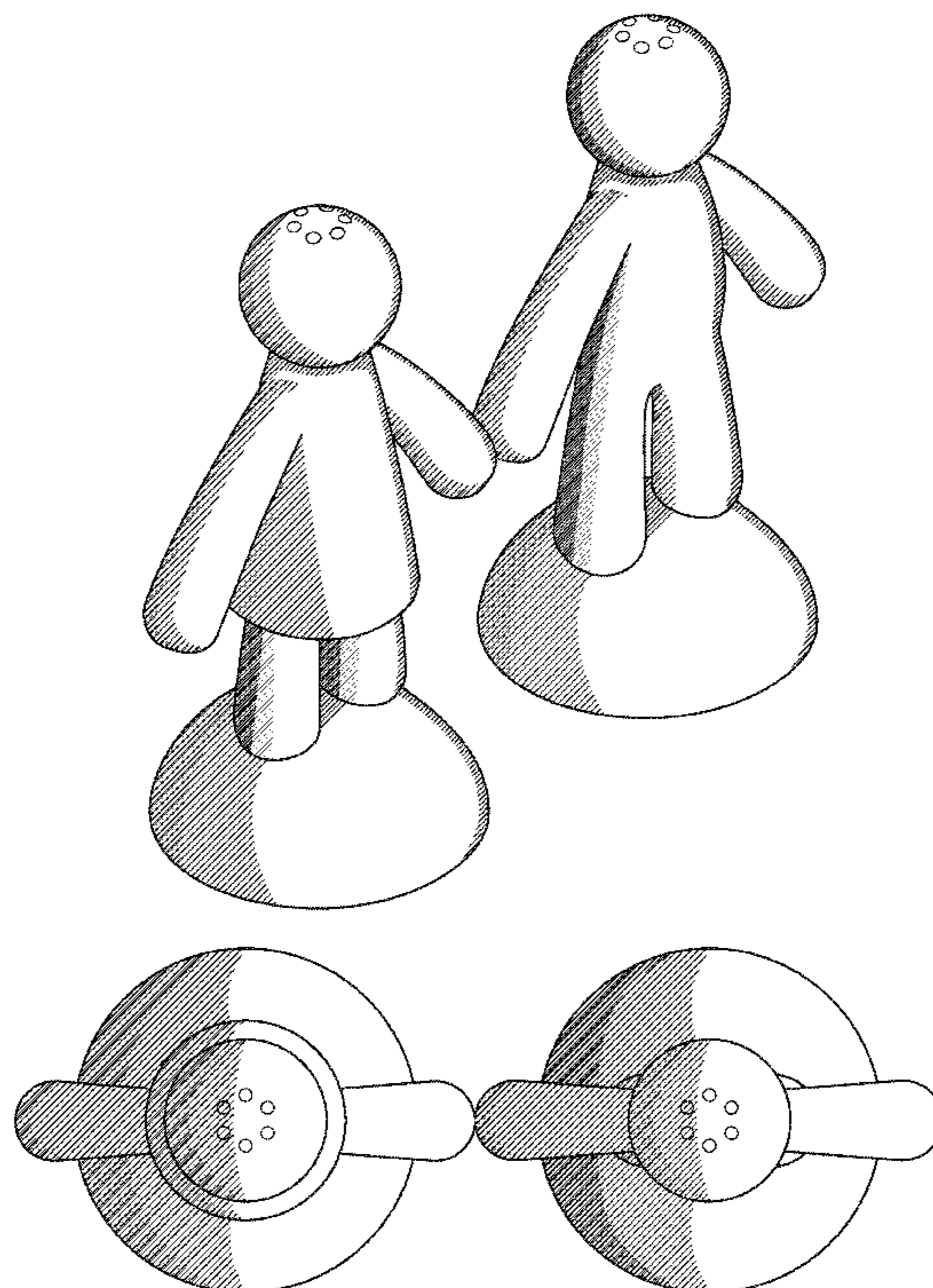
(57) **CLAIM**

The ornamental design for a salt and pepper shaker set, as shown and described.

**DESCRIPTION**

FIG. 1 is a front perspective view of the present invention salt and pepper shaker set, shown in an attached position; FIG. 2 is a front elevational view of the invention; FIG. 3 is a rear elevational view of the invention; FIG. 4 is a left side elevational view of the invention; FIG. 5 is a right side elevational view of the invention; FIG. 6 is a top plan view of the invention; FIG. 7 is a bottom plan view of the invention; and, FIG. 8 is a front perspective view of the invention, shown in a separated position.

**1 Claim, 8 Drawing Sheets**



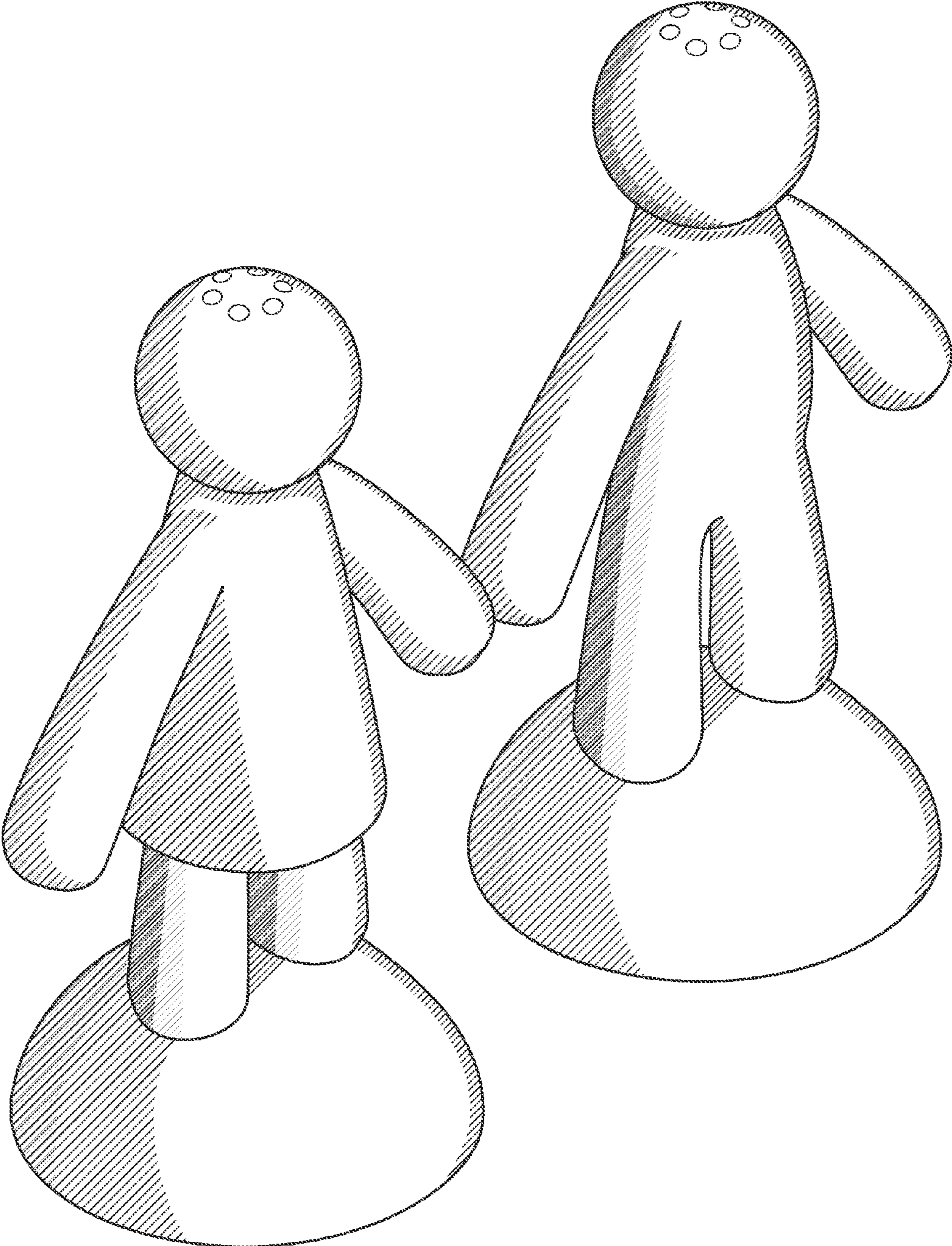


Fig. 1

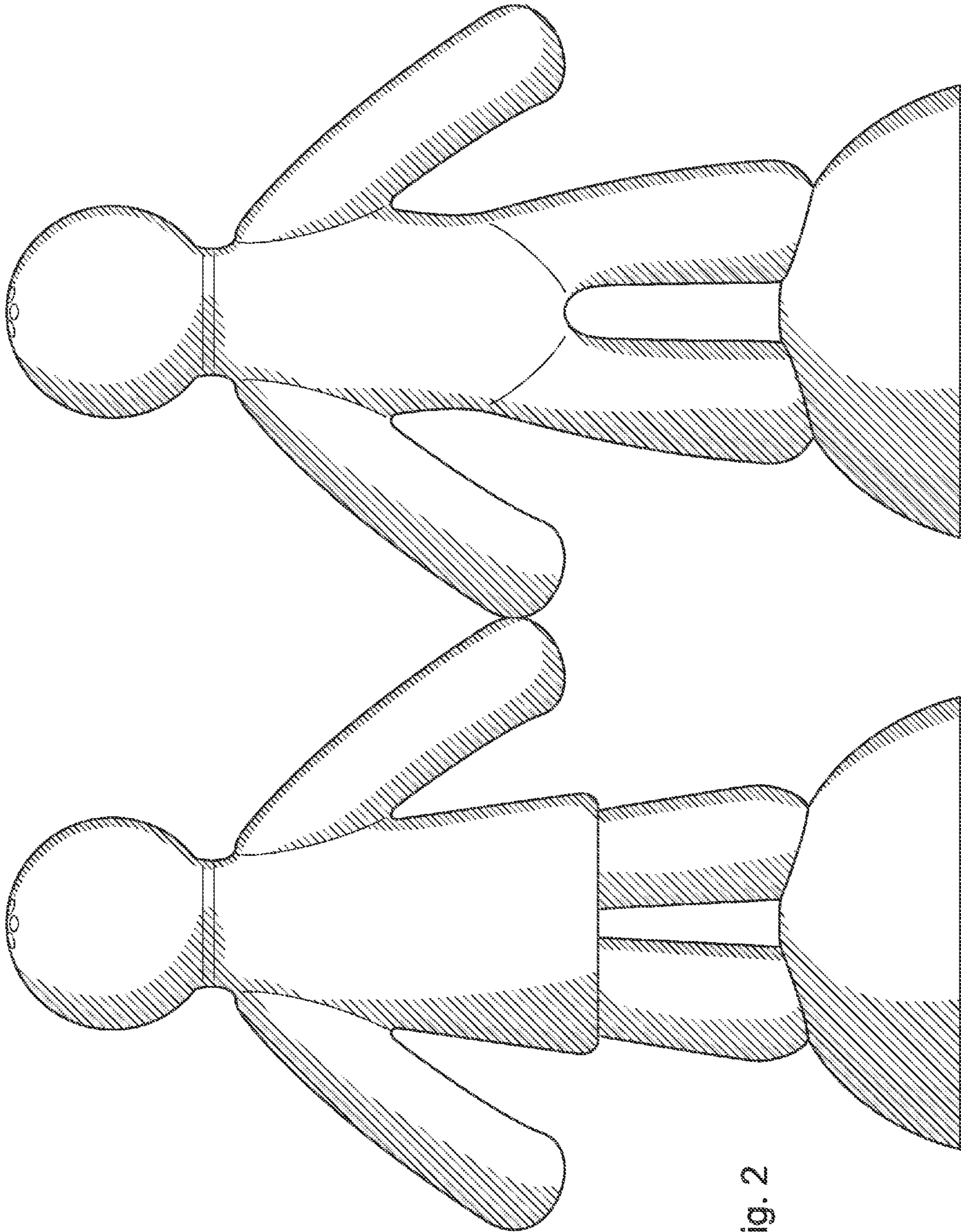


Fig. 2

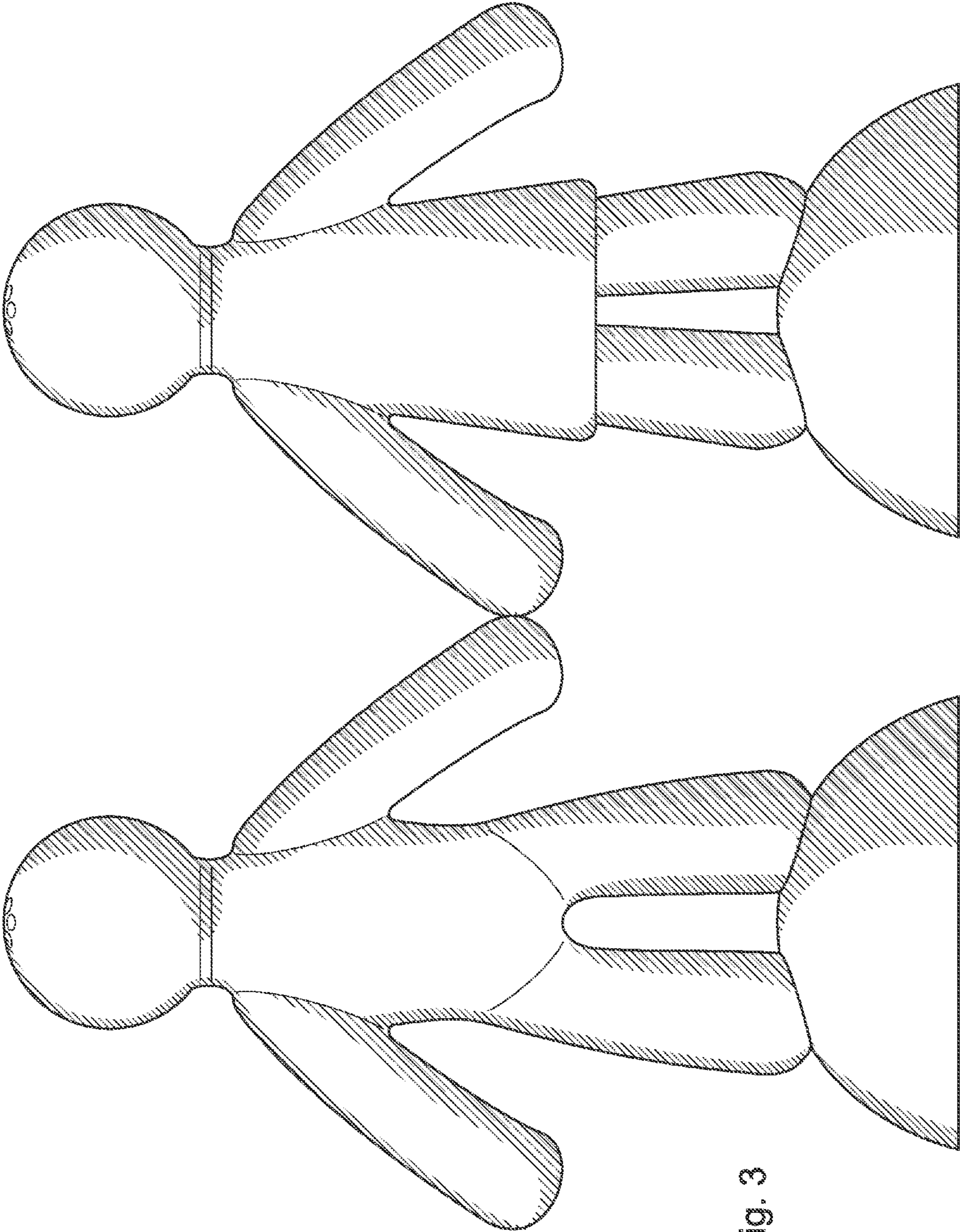


Fig. 3

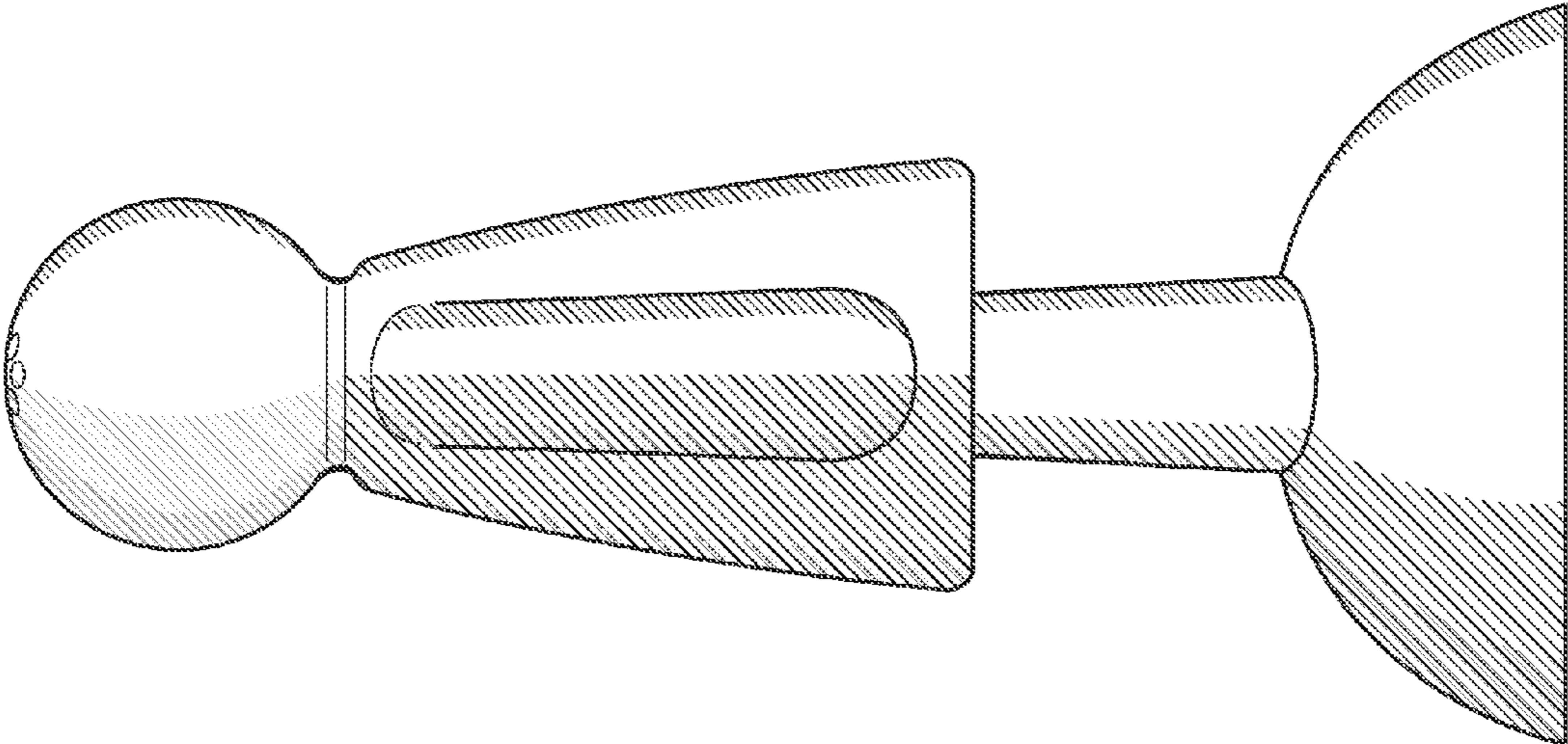


Fig. 4

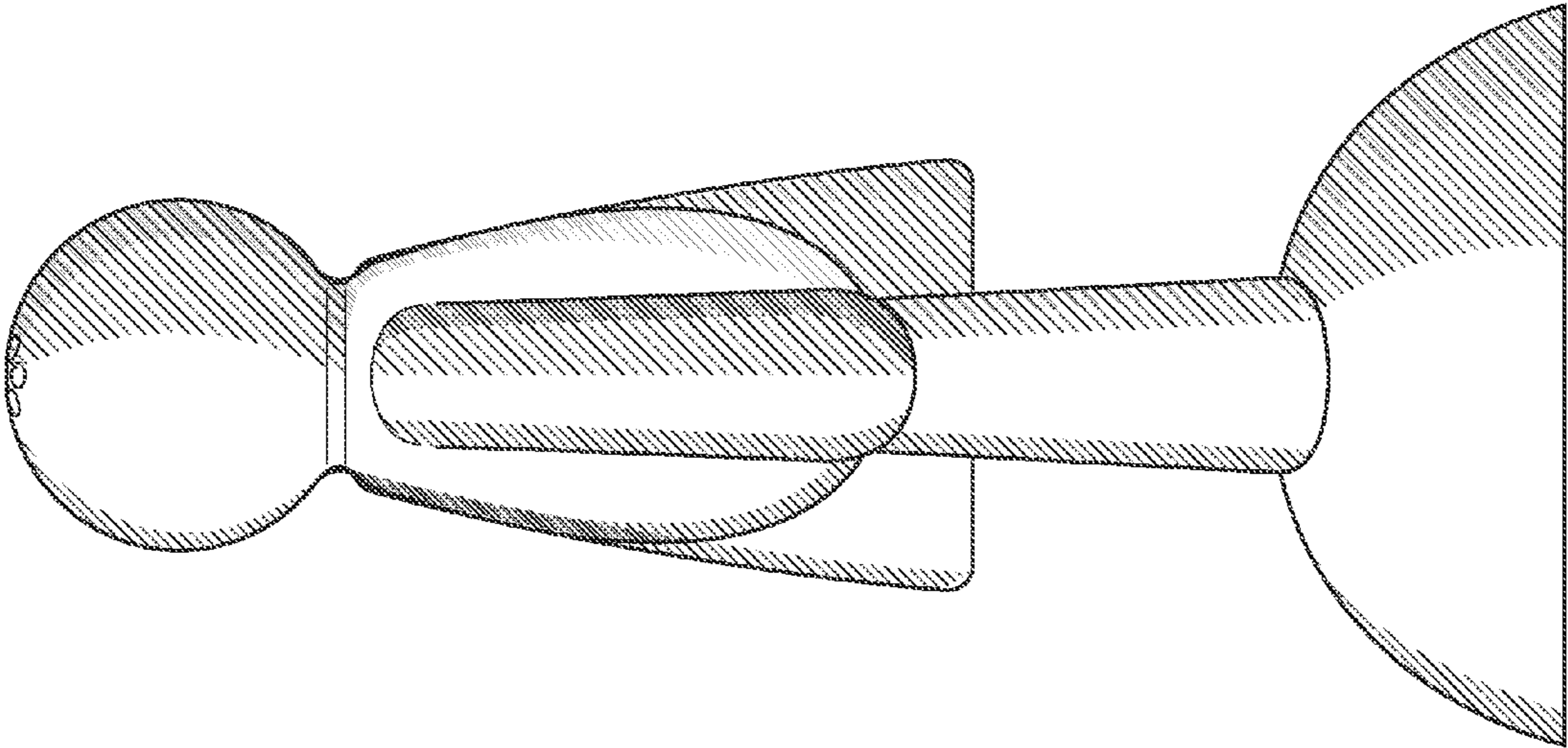


Fig. 5

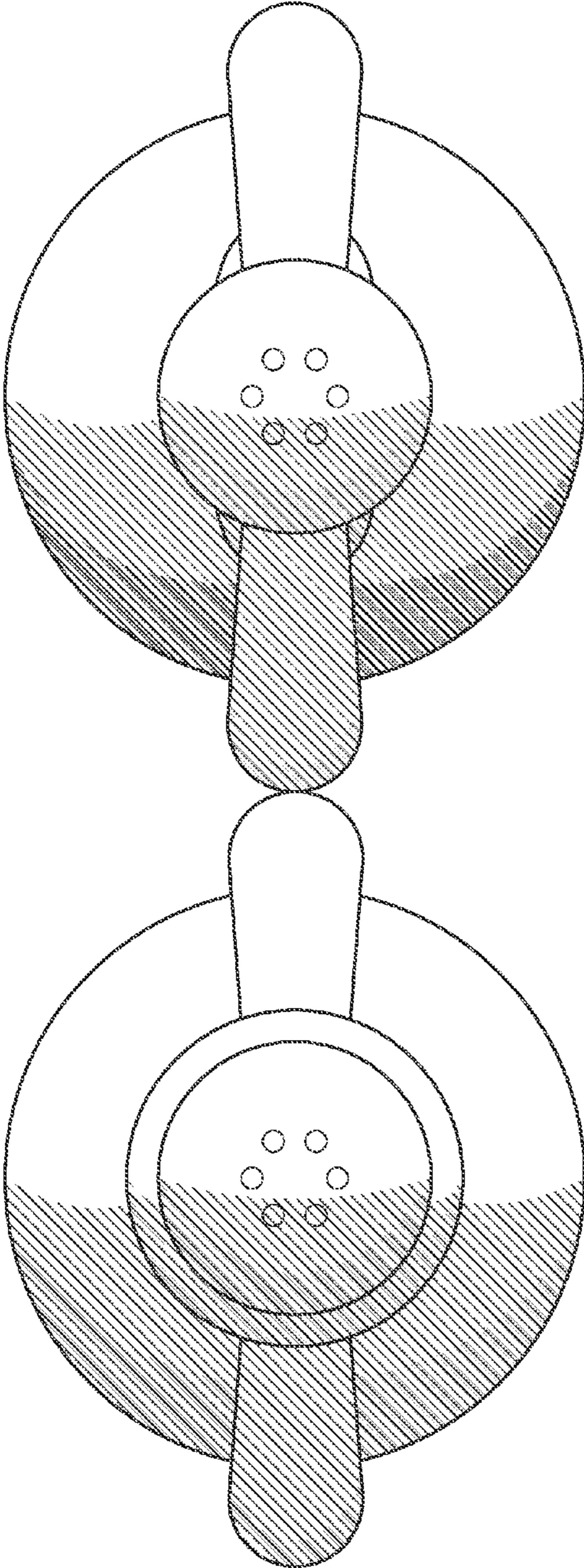


Fig. 6

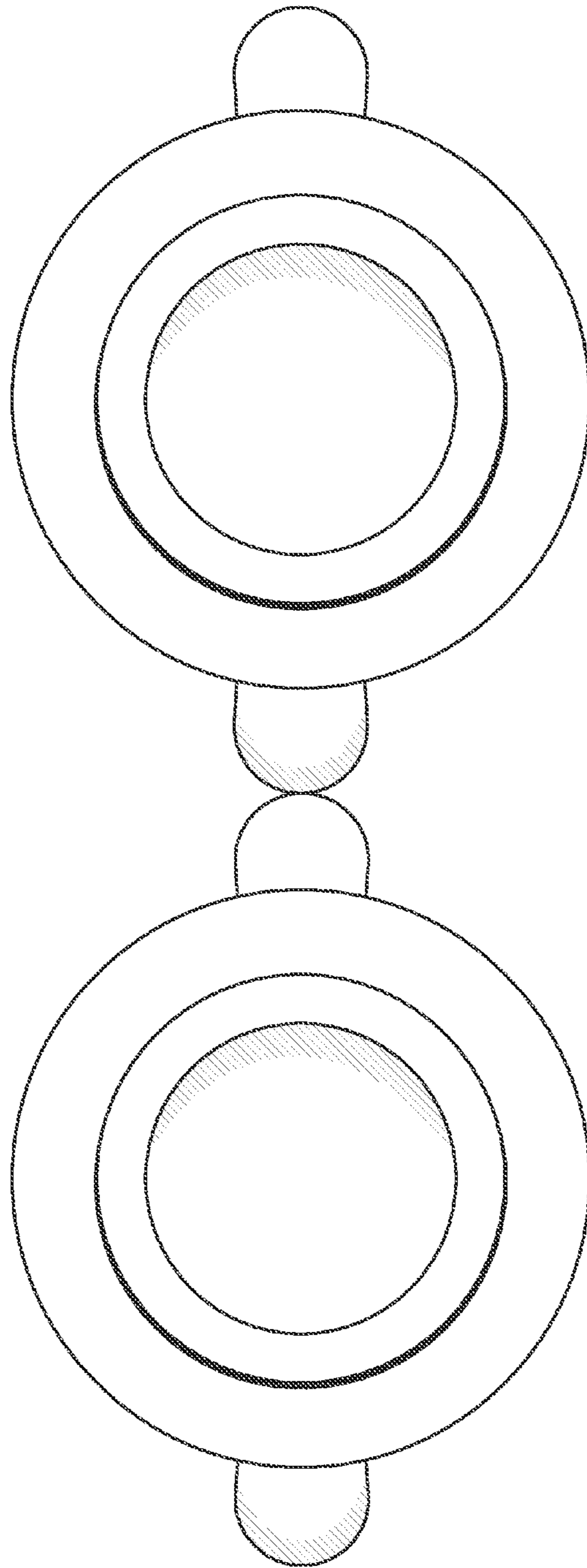


Fig. 7



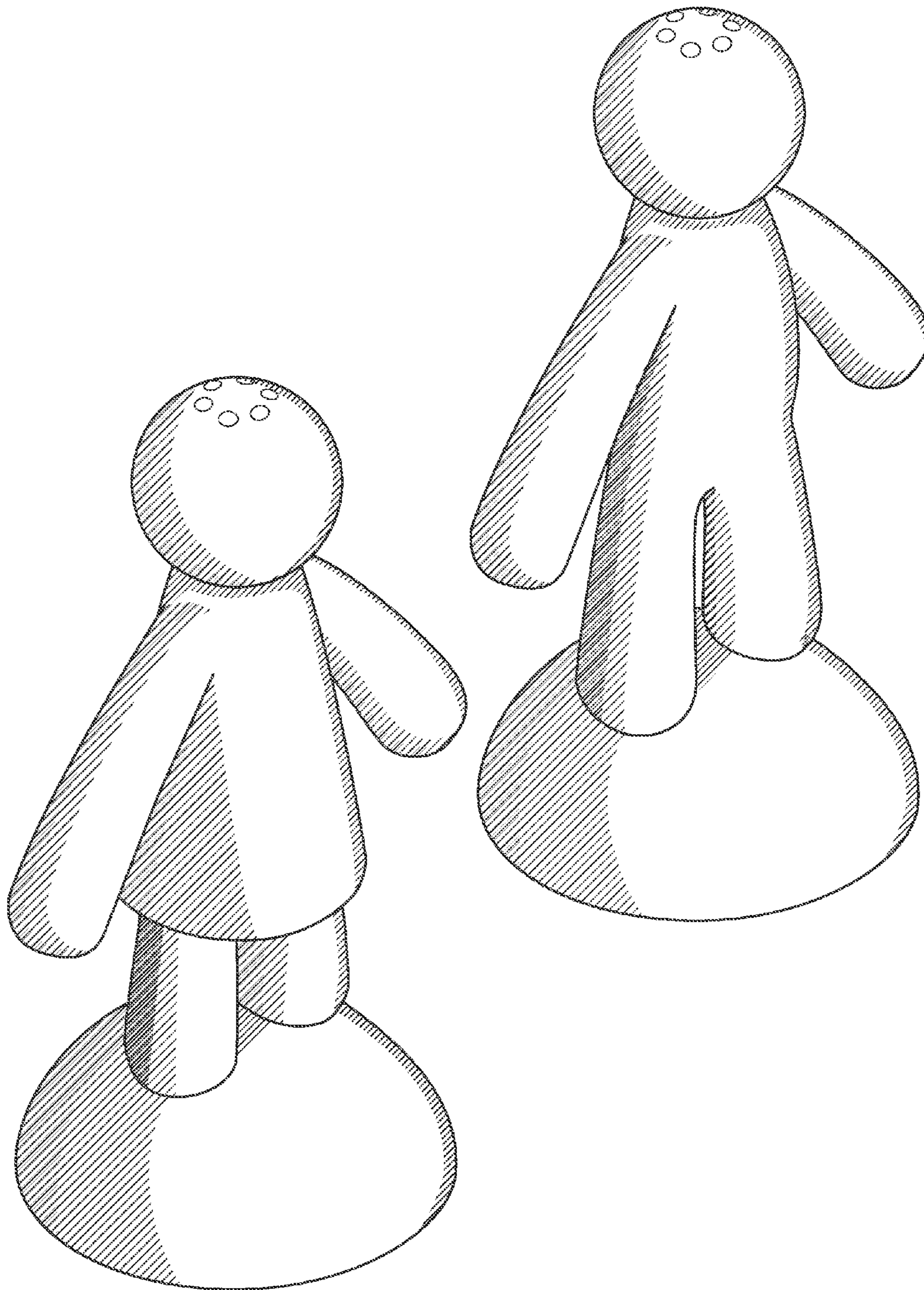


Fig. 8