



US00D679143S

(12) **United States Design Patent**  
**Wegzyn et al.**

(10) **Patent No.:** **US D679,143 S**

(45) **Date of Patent:** **\*\* Apr. 2, 2013**

(54) **SQUARE MUG**

(75) Inventors: **Stephen J. Wegzyn**, Lutz, FL (US);  
**Christopher K. Nelson**, Dunedin, FL  
(US)

(73) Assignee: **Bic Corporation**, Shelton, CT (US)

(\*\*) Term: **14 Years**

(21) Appl. No.: **29/424,975**

(22) Filed: **Jun. 18, 2012**

(51) **LOC (9) Cl.** ..... **07-01**

(52) **U.S. Cl.** ..... **D7/536; D7/515**

(58) **Field of Classification Search** ..... D7/536,  
D7/533, 514, 515, 622, 509; 220/713, 715,  
220/737

See application file for complete search history.

(56) **References Cited**

**U.S. PATENT DOCUMENTS**

D70,329	S	*	6/1926	Johnson	.....	D7/536
D70,369	S	*	6/1926	Johnson	.....	D7/536
2,338,900	A	*	1/1944	Buttery	.....	229/125.08
2,936,068	A	*	5/1960	Munkachy	.....	220/737
4,854,474	A	*	8/1989	Murray et al.	.....	220/1.5
D319,755	S	*	9/1991	Guy	.....	D7/536

5,071,002	A	*	12/1991	Bradley	.....	206/217
D334,815	S	*	4/1993	Bunger	.....	D25/113
5,213,253	A	*	5/1993	Fantoni et al.	.....	229/402
D483,200	S	*	12/2003	Udommahuntisuk	.....	D6/407
D543,450	S	*	5/2007	Watzig et al.	.....	D9/418
D615,819	S	*	5/2010	Wang Chen	.....	D7/536

\* cited by examiner

*Primary Examiner* — Marianne Pandozzi

(74) *Attorney, Agent, or Firm* — Taft Stettinius & Hollister  
LLP; Keith Swedo

(57) **CLAIM**

The ornamental design for the square mug, as shown and described.

**DESCRIPTION**

FIG. 1 is a perspective view of a square mug showing our new design;

FIG. 2 is another perspective view thereof;

FIG. 3 is a top view thereof;

FIG. 4 is a front view thereof;

FIG. 5 is a right side view thereof;

FIG. 6 is a left side view thereof, the rear view being identical to FIG. 6; and,

FIG. 7 is a bottom view thereof.

**1 Claim, 4 Drawing Sheets**

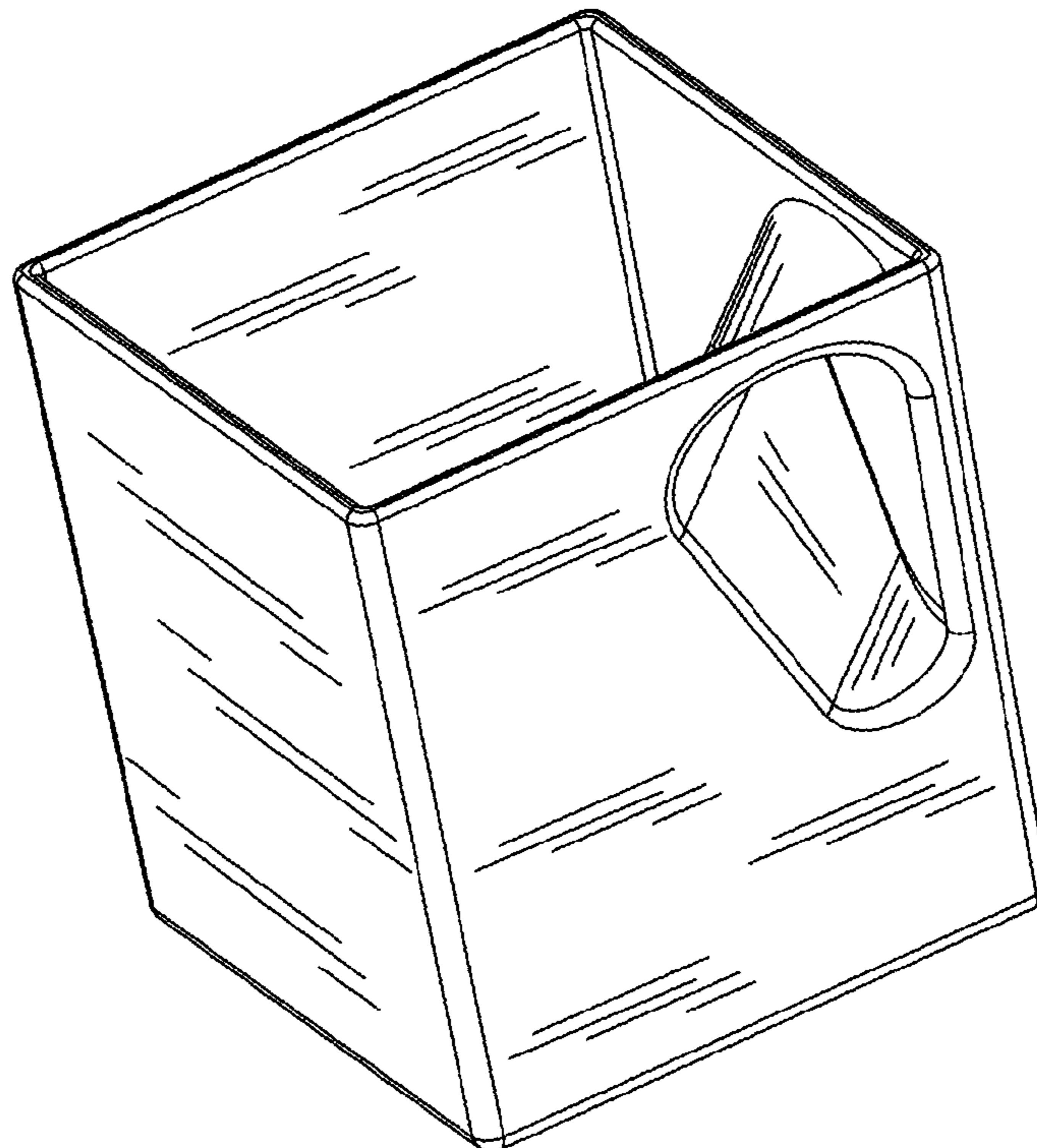


Fig 1

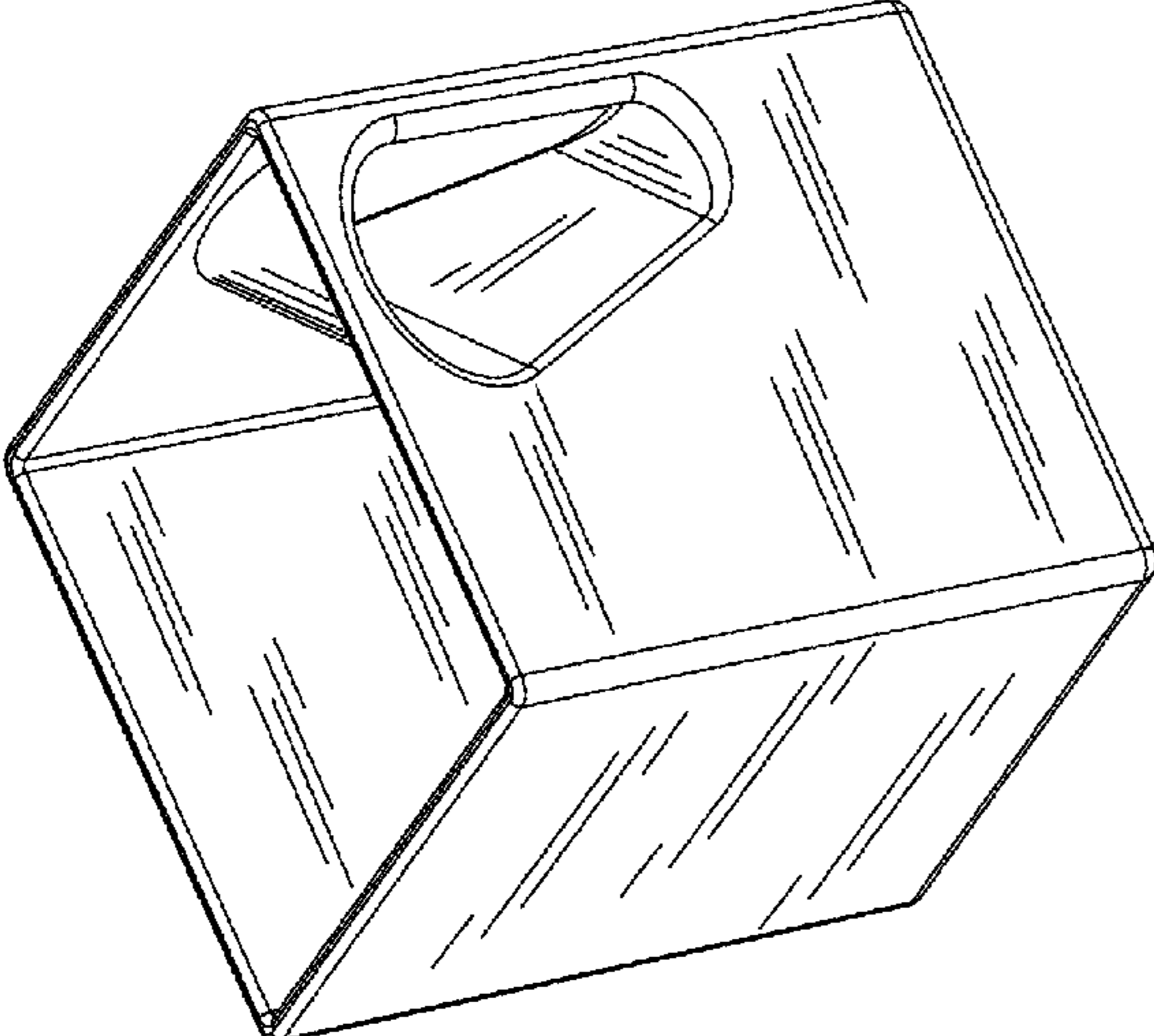


Fig 2

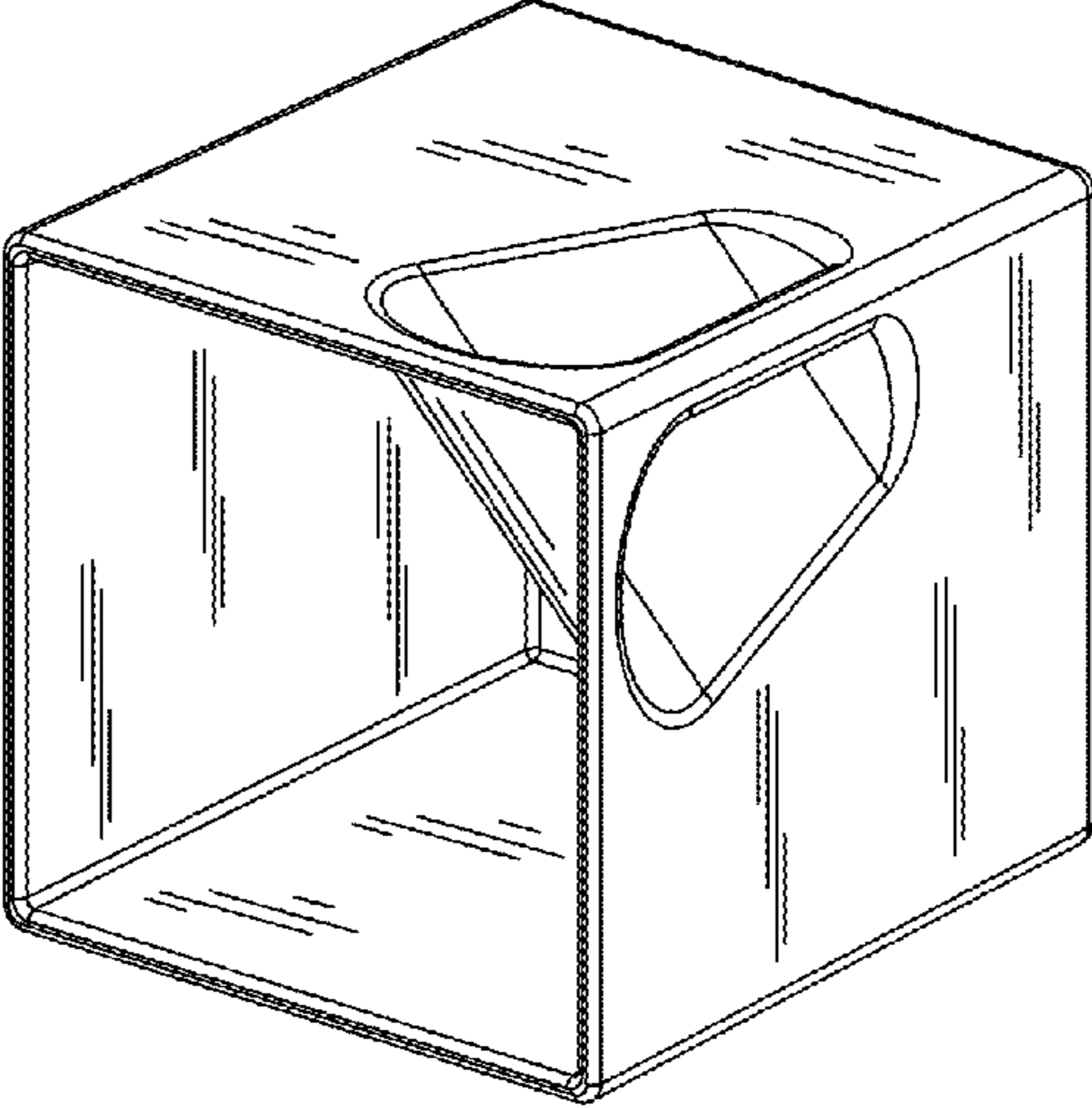


Fig 3

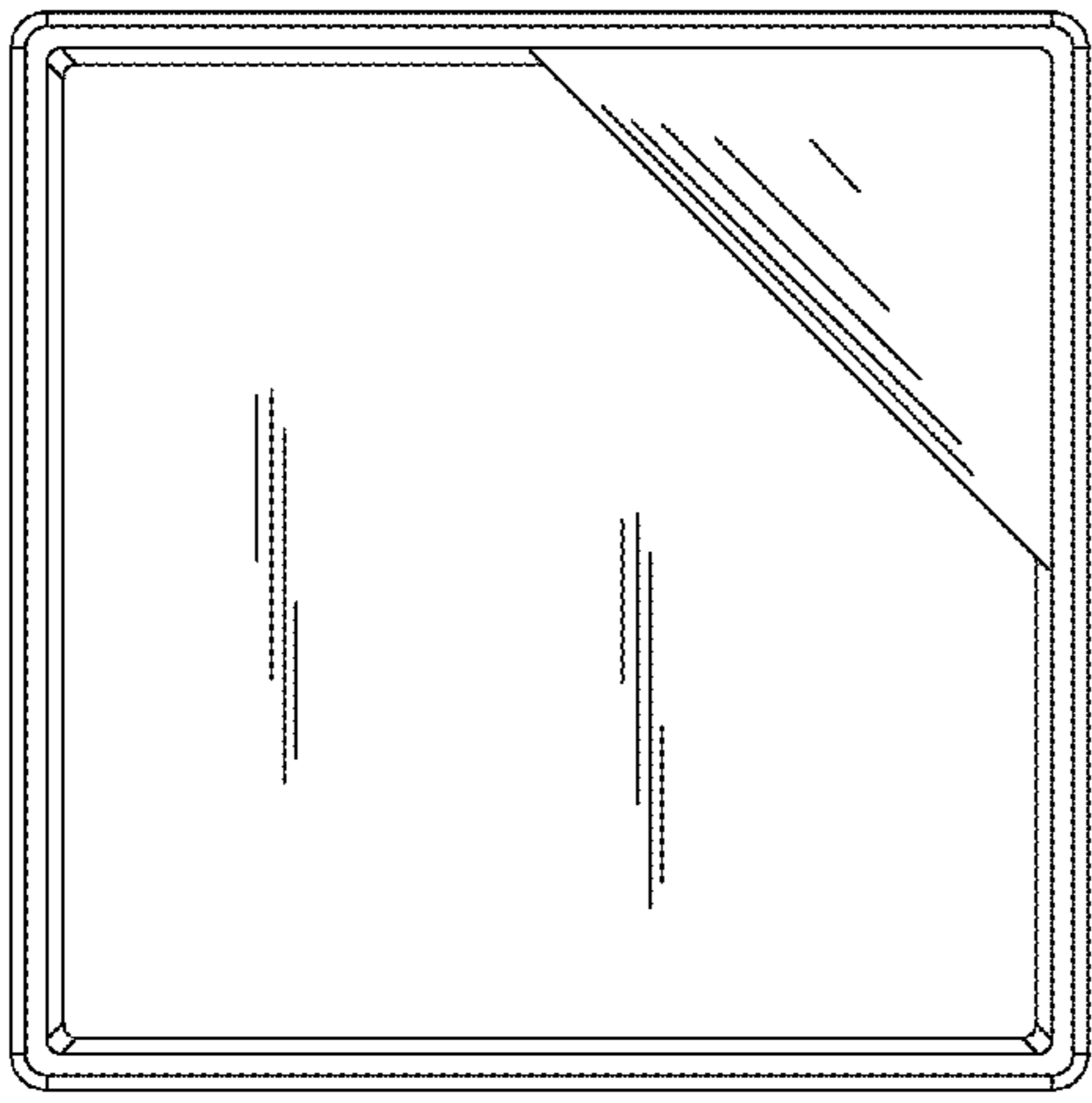


Fig 4

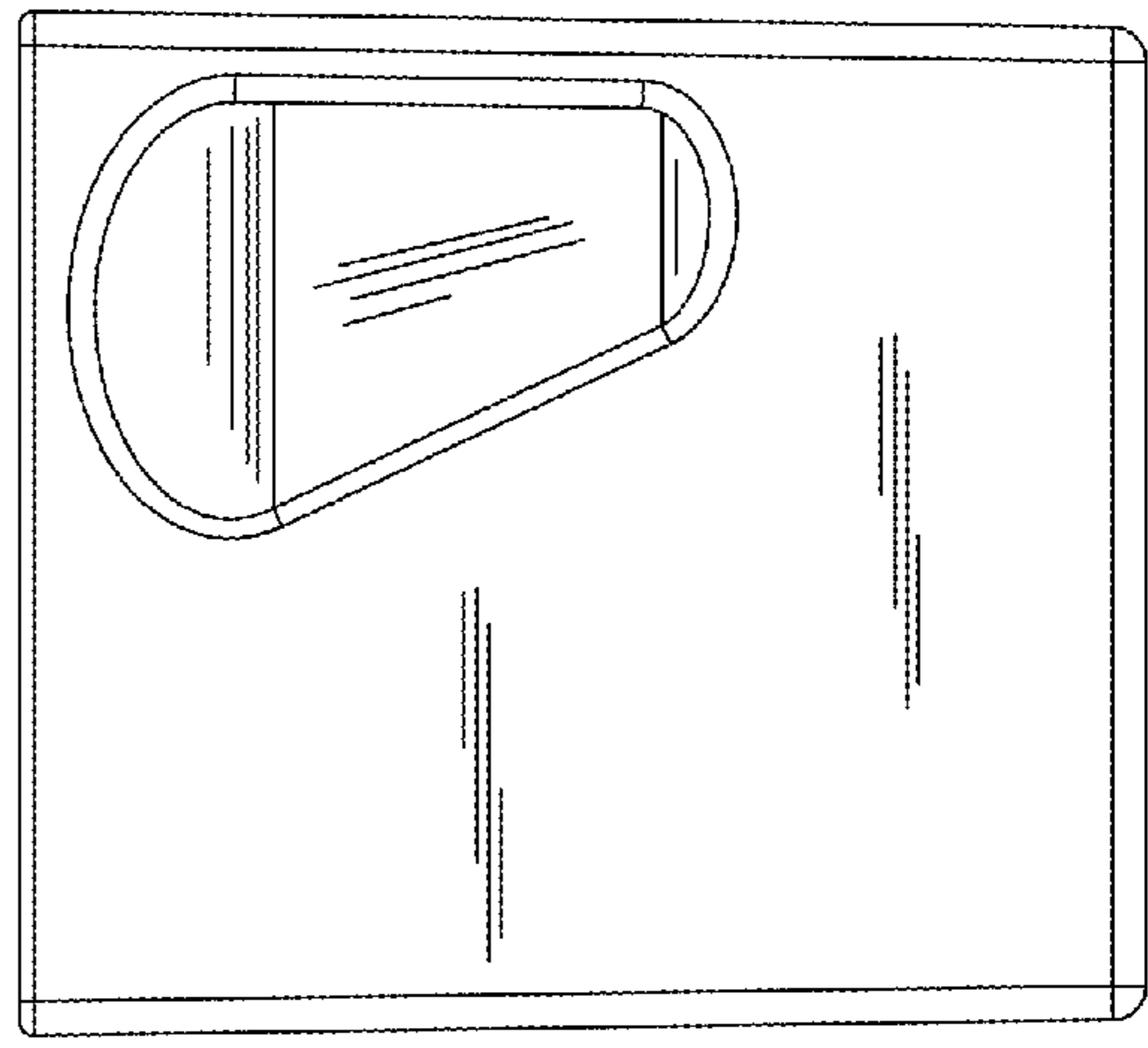


Fig 5

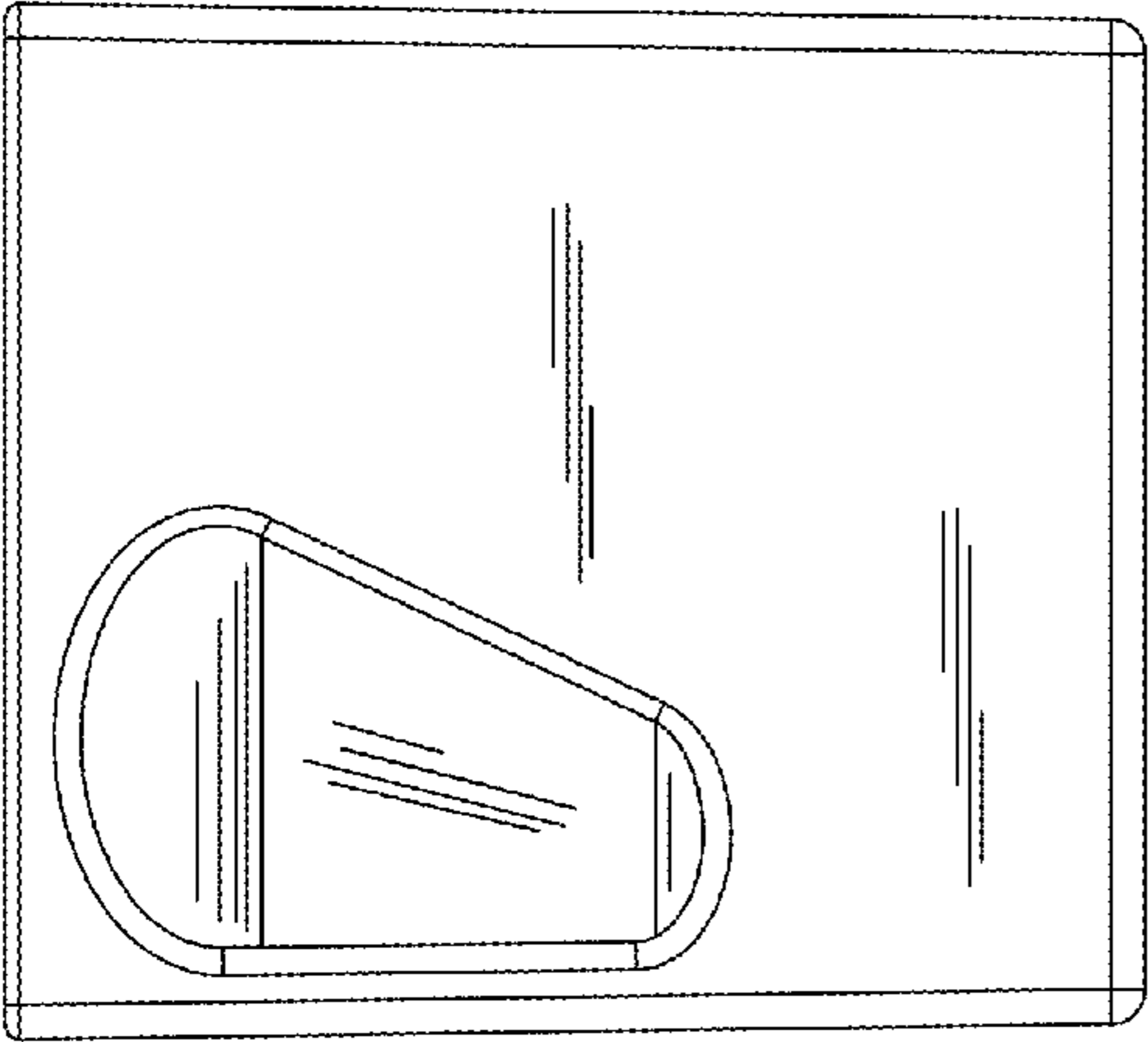


Fig 6

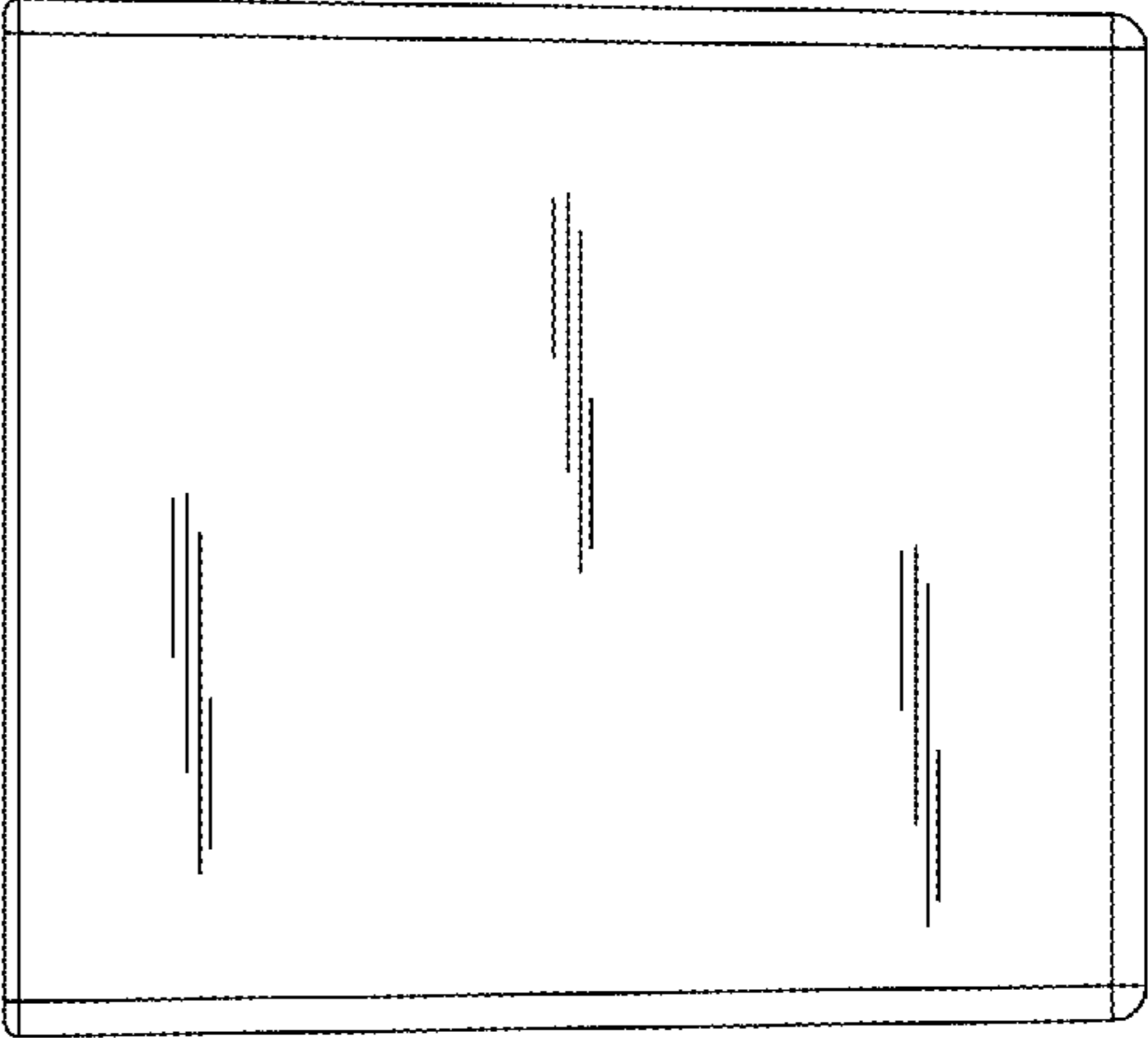


Fig 7

