



US00D679141S

(12) **United States Design Patent**
Slack

(10) **Patent No.:** **US D679,141 S**
(45) **Date of Patent:** **** Apr. 2, 2013**

(54) **FIRE STARTER TOOL**

(75) Inventor: **Steven E. Slack**, Tujuga, CA (US)

(73) Assignee: **Pro Tool Industries, Inc.**, Pottstown, PA (US)

(**) Term: **14 Years**

(21) Appl. No.: **29/428,891**

(22) Filed: **Aug. 3, 2012**

(51) **LOC (9) Cl.** **07-99**

(52) **U.S. Cl.** **D7/416**

(58) **Field of Classification Search** D27/100,
D27/101, 139, 141-143, 147, 152-154, 158,
D27/160, 172, 183-187, 189, 194; D7/402,
D7/416, 504; D19/73, 74; D8/29.1, 30,
D8/33, 43, 105, 499; D9/52, 423, 454, 504,
D9/563; 431/150, 267, 273-277

See application file for complete search history.

(56) **References Cited**

U.S. PATENT DOCUMENTS

557,670	A *	4/1896	Hales	30/452
D146,197	S *	1/1947	Staab	D19/73
2,572,863	A *	10/1951	Jaap	431/253
2,979,930	A *	4/1961	Ichikawa	431/140
4,188,192	A	2/1980	Levenson et al.	
4,698,068	A *	10/1987	Jensen	44/507
D294,649	S *	3/1988	Carr et al.	D7/416
D316,008	S *	4/1991	Norton	D7/416
D453,890	S *	2/2002	Chevalier	D7/416
6,782,576	B1 *	8/2004	Valencic et al.	7/158
D580,592	S *	11/2008	Hara et al.	D27/141

D613,118	S *	4/2010	Weston et al.	D7/416
D634,889	S *	3/2011	Park	D27/143
8,186,995	B2 *	5/2012	Putrello, Jr.	431/273

OTHER PUBLICATIONS

Mag-Na-Fire Fire Starter, [online], [site visited Nov. 1, 2012]. Available from Internet, <URL: www.protoolindustries.net/products/mag-na-fire-fire-starter>.*

* cited by examiner

Primary Examiner — Robert M Spear

Assistant Examiner — Janice Hallmark

(74) *Attorney, Agent, or Firm* — Hooker & Habib, P.C.

(57) **CLAIM**

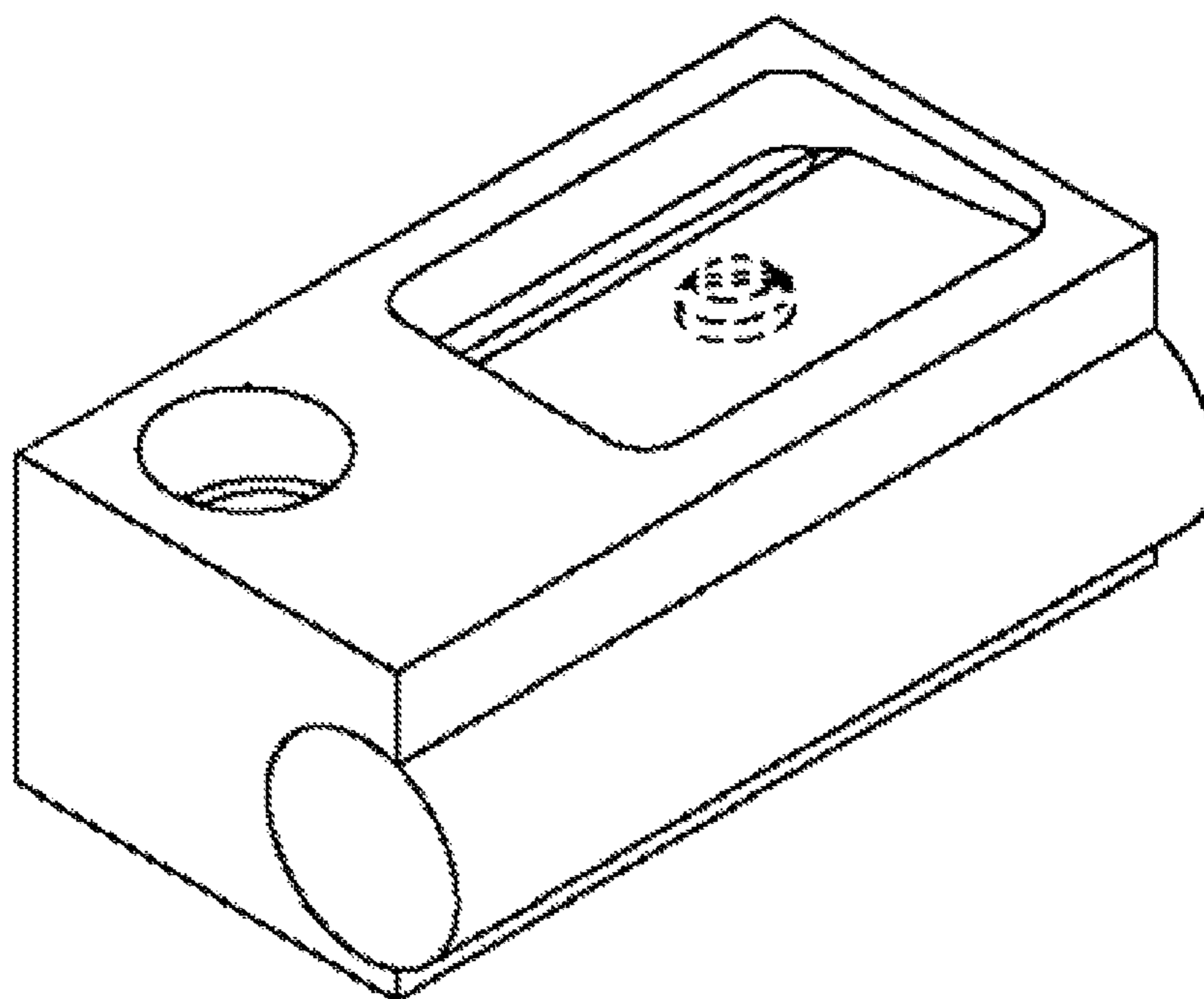
The ornamental design of a fire starter tool, as shown and described.

DESCRIPTION

FIG. 1 is a front left perspective view of a fire starter tool; FIG. 2 is a rear right perspective view of a fire starter tool; FIG. 3 is a left side elevational view thereof; FIG. 4 is a right side elevational view thereof; FIG. 5 is a front elevational view thereof; FIG. 6 is a rear elevational view thereof; FIG. 7 is a top plan view thereof; and, FIG. 8 is a bottom plan view thereof.

The broken line portions of the figure drawings are included to show unclaimed subject matter only and form no part of the claimed design.

1 Claim, 4 Drawing Sheets



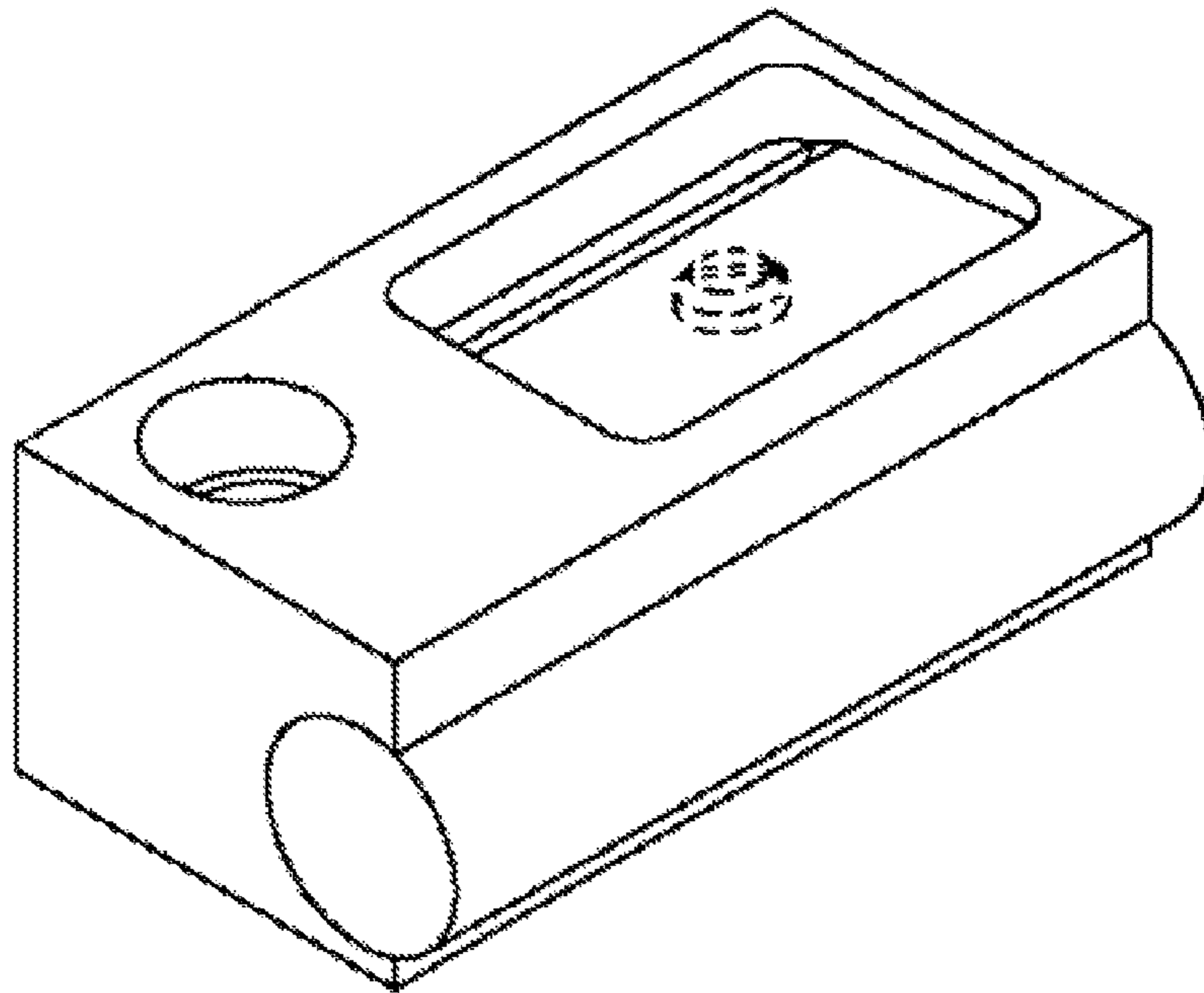


Fig. 1

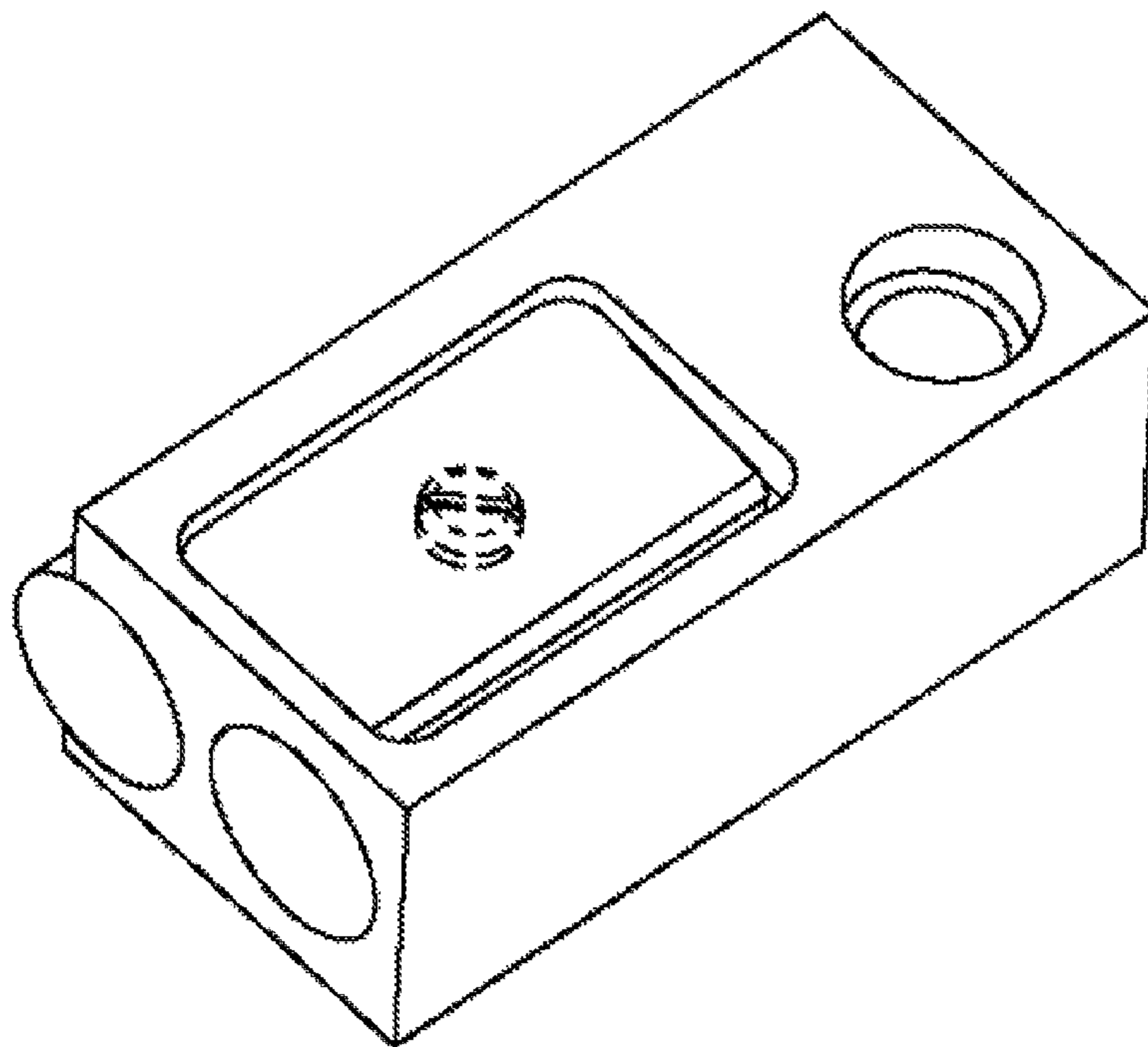


Fig. 2

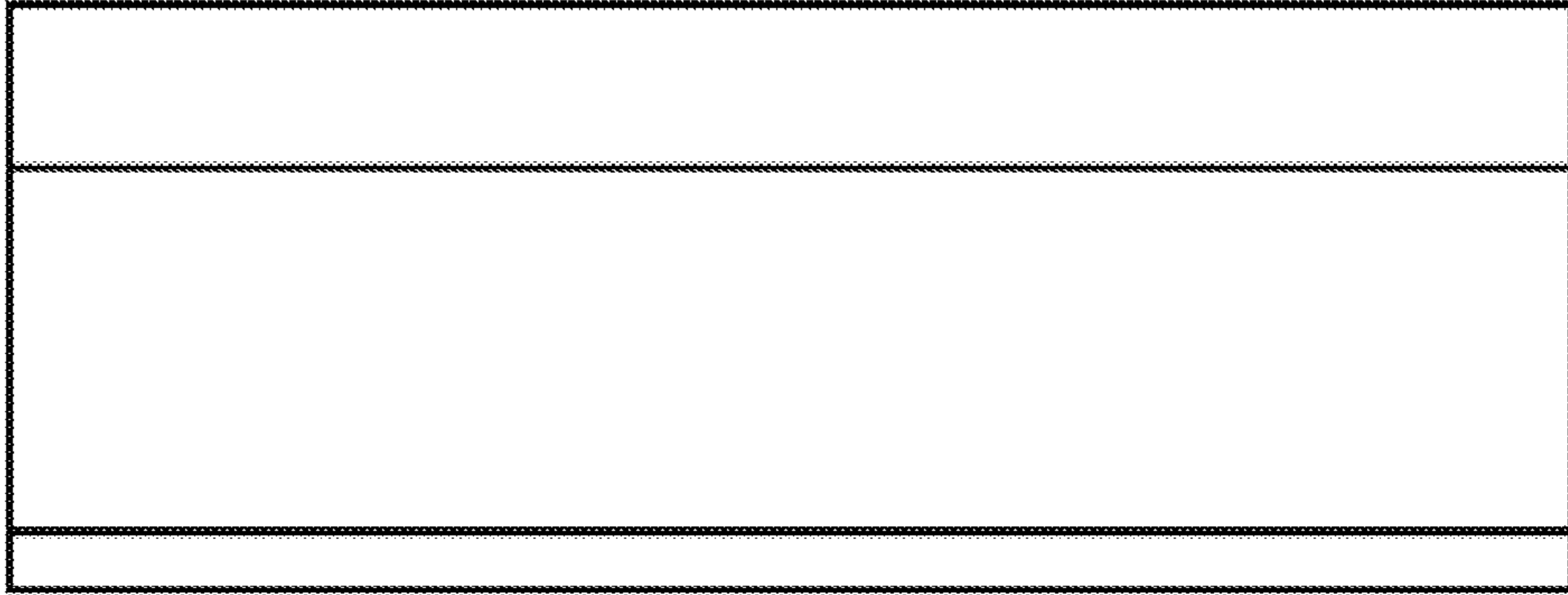


Fig. 3



Fig. 4

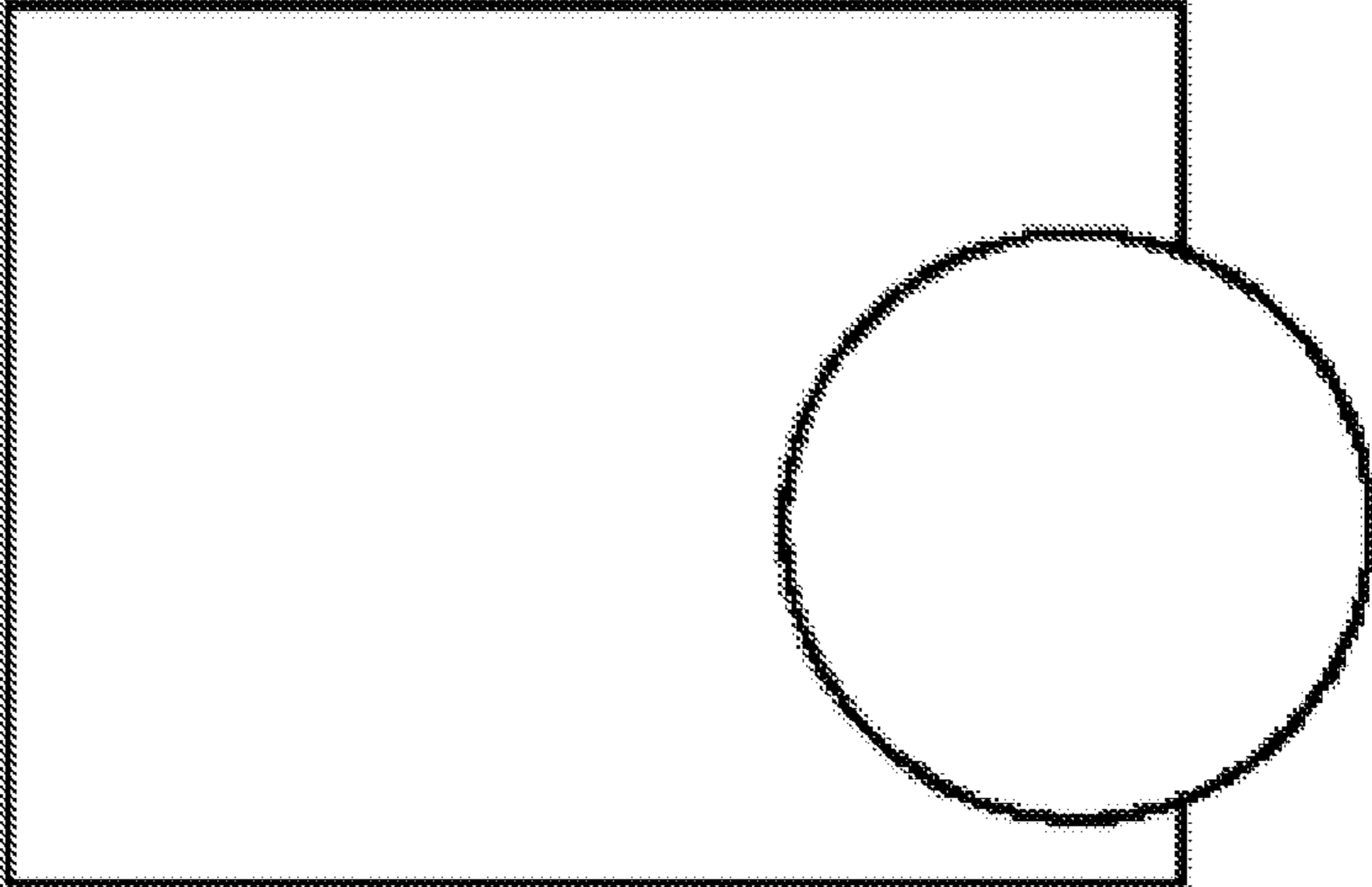


Fig. 5

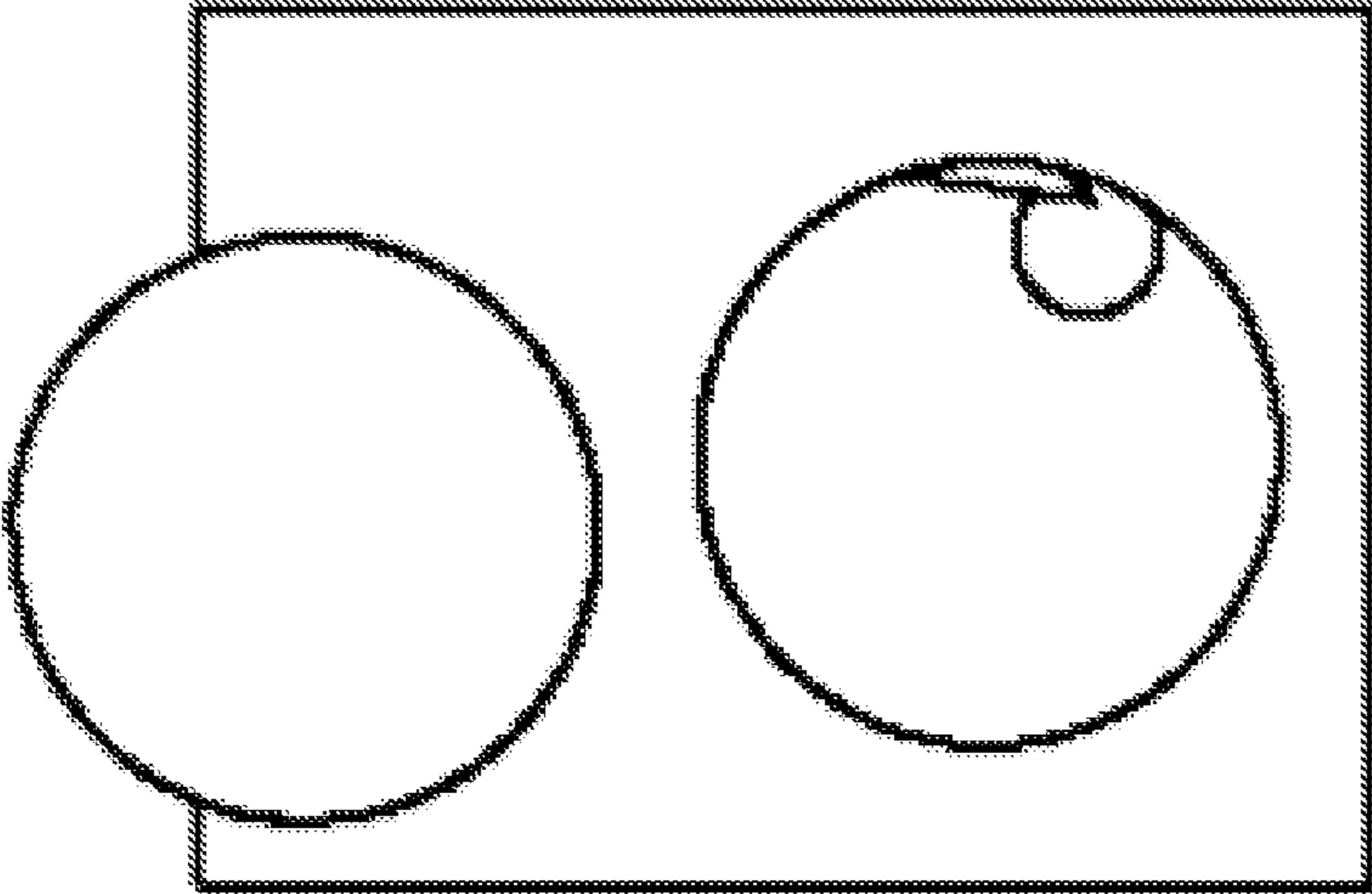


Fig. 6

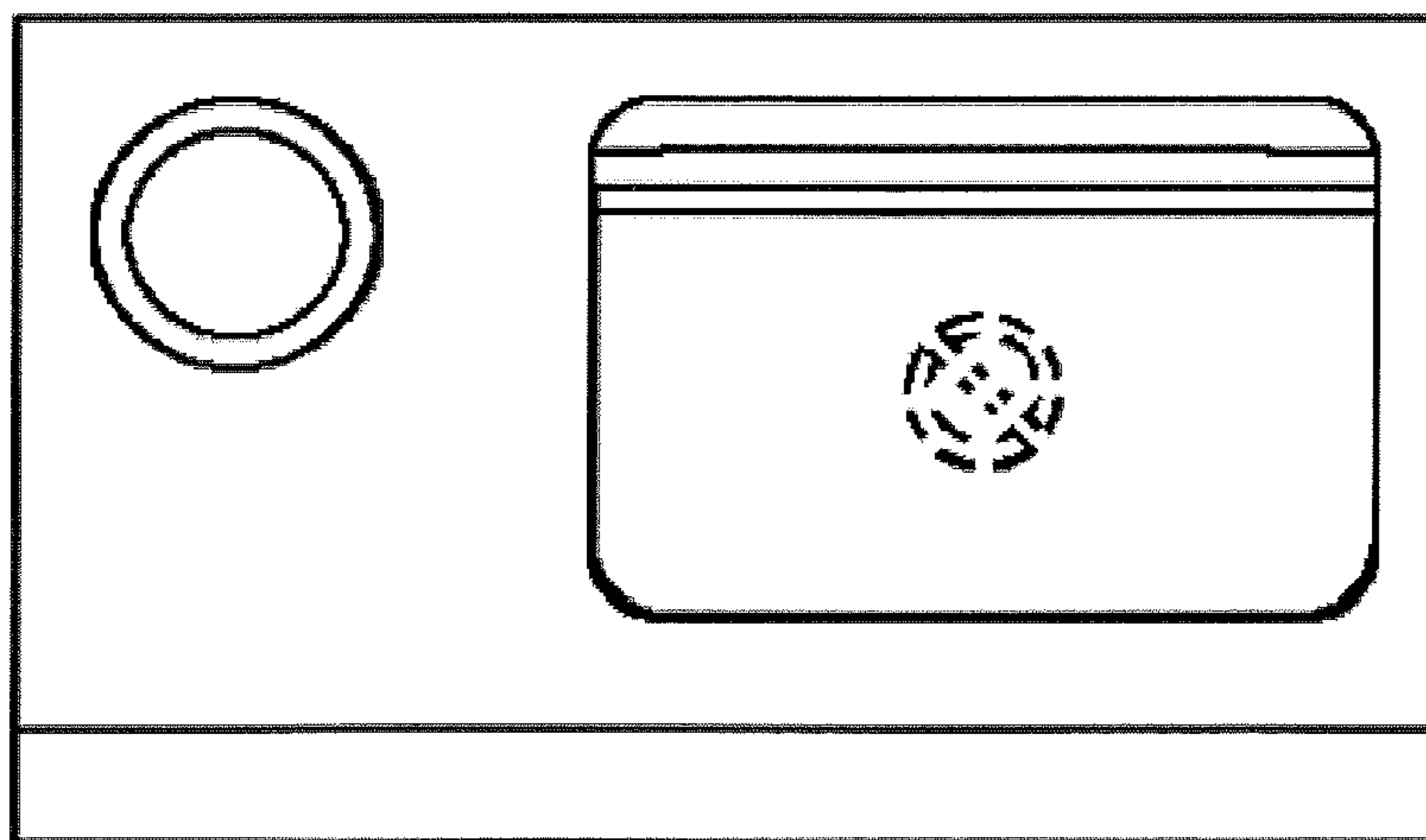


Fig. 7

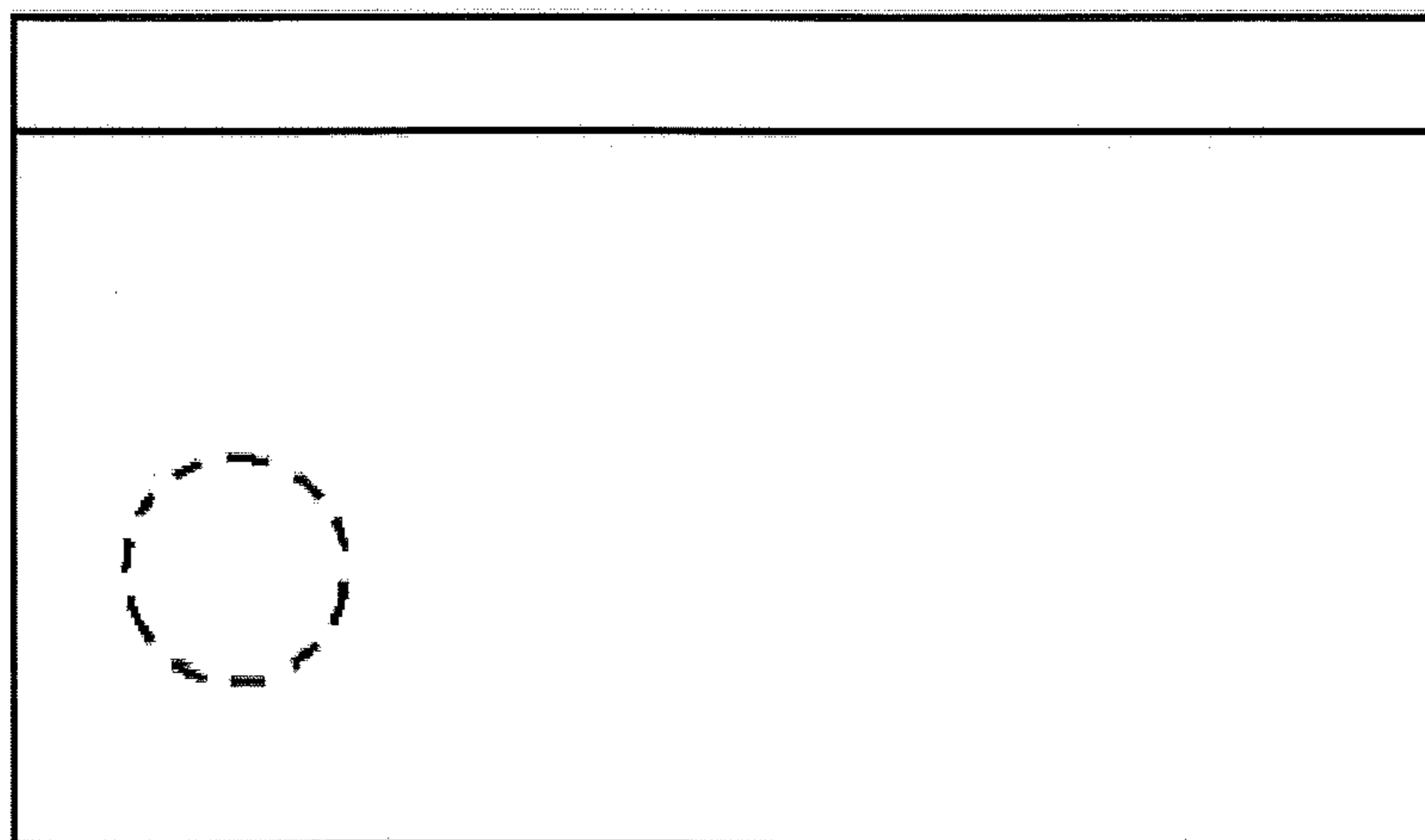


Fig. 8