



US00D679140S

(12) **United States Design Patent**
Faram

(10) **Patent No.:** **US D679,140 S**

(45) **Date of Patent:** **** Apr. 2, 2013**

(54) **CUTTING UNIT FOR FOOD PROCESSOR**

(75) **Inventor:** **David Stephen Faram**, Fareham (GB)

(73) **Assignee:** **Kenwood Limited**, Hampshire (GB)

(**) **Term:** **14 Years**

(21) **Appl. No.:** **29/422,569**

(22) **Filed:** **May 22, 2012**

(30) **Foreign Application Priority Data**

Nov. 22, 2011 (EM) 001950858-0001

(51) **LOC (9) Cl.** **31-00**

(52) **U.S. Cl.** **D7/412; D7/376; D7/378; D7/384**

(58) **Field of Classification Search** D7/301-313,
D7/316-319, 356-357, 368, 372-386, 391-398,
D7/412-415, 515, 637, 665, 679, 691-693;
83/167, 356.3, 857, 862, 865; 99/348, 467,
99/492, 508-512, 635; 241/30-37.5, 92,
241/101.01-101.2, 166-169.1, 172, 199.12,
241/282.1-282.2, 285.1-285.3, 291, 292.1;
248/166, 431; 366/64-67, 98, 129, 142-144,
366/197-211, 241-254, 262, 279-292, 325.8,
366/325.92, 341-347; 416/75-77, 70 R,
416/163

See application file for complete search history.

(56) **References Cited**

U.S. PATENT DOCUMENTS

237,844 A * 2/1881 Evinger 83/167
2,026,691 A * 1/1936 McArdle et al. 241/101.1

2,511,464 A * 6/1950 Cover 99/635
4,190,208 A * 2/1980 Schaeffer et al. 241/92
4,199,112 A * 4/1980 McLean 241/92
4,367,667 A * 1/1983 Shibata 83/356.3
5,224,409 A * 7/1993 Cimperman et al. 83/862
5,983,769 A * 11/1999 Schneider 83/865
5,992,287 A * 11/1999 Dube 83/865
D480,613 S * 10/2003 Wong D7/693
D652,678 S * 1/2012 Holgersson D7/412
D658,005 S * 4/2012 Haggerty et al. D7/412
8,250,959 B2 * 8/2012 Beber et al. 83/857

* cited by examiner

Primary Examiner — Ricky Pham

(74) *Attorney, Agent, or Firm* — Marty Fleit; Paul D. Bianco; Fleit Gibbons Gutman Bongini Bianco PL

(57) **CLAIM**

The ornamental design for a cutting unit for food processor, as shown and described.

DESCRIPTION

FIG. 1 is a perspective view of a cutting unit for food processor according to the present invention.

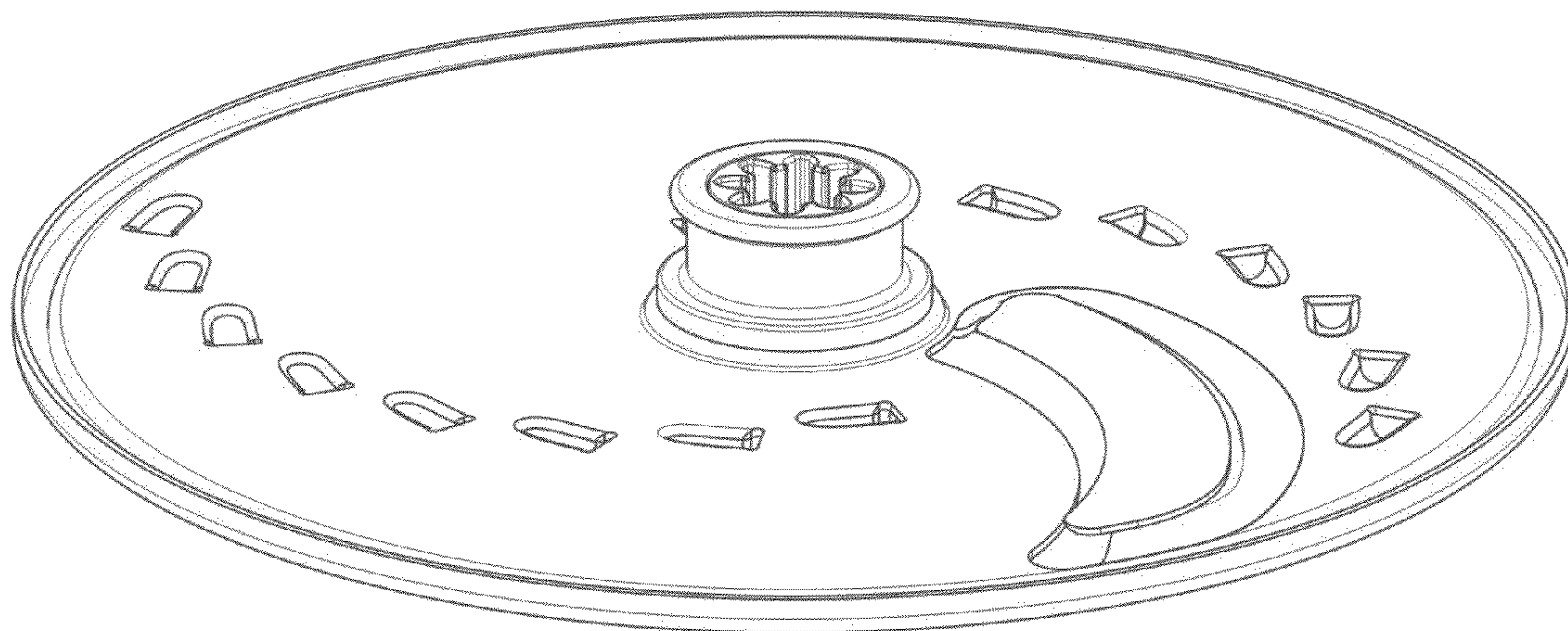
FIG. 2 is a top view of the cutting unit of FIG. 1.

FIG. 3 is a bottom view of the cutting unit of FIG. 1.

FIG. 4 is a first side view of the cutting unit of FIG. 1 in a first rotational position; and,

FIG. 5 is a second side view of the cutting unit of FIG. 1 in a second rotational position, with the second rotational position rotated 90° clockwise with respect to the first rotational position of FIG. 4.

1 Claim, 5 Drawing Sheets



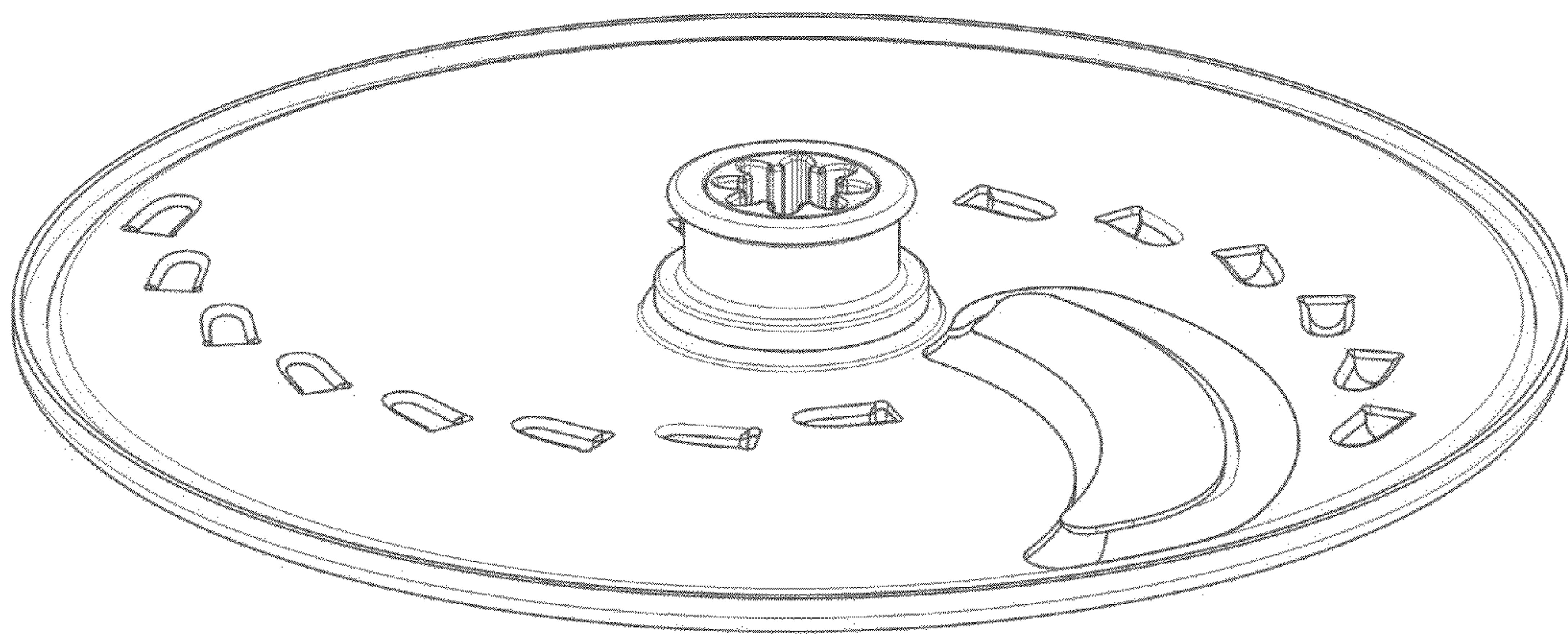


FIGURE 1

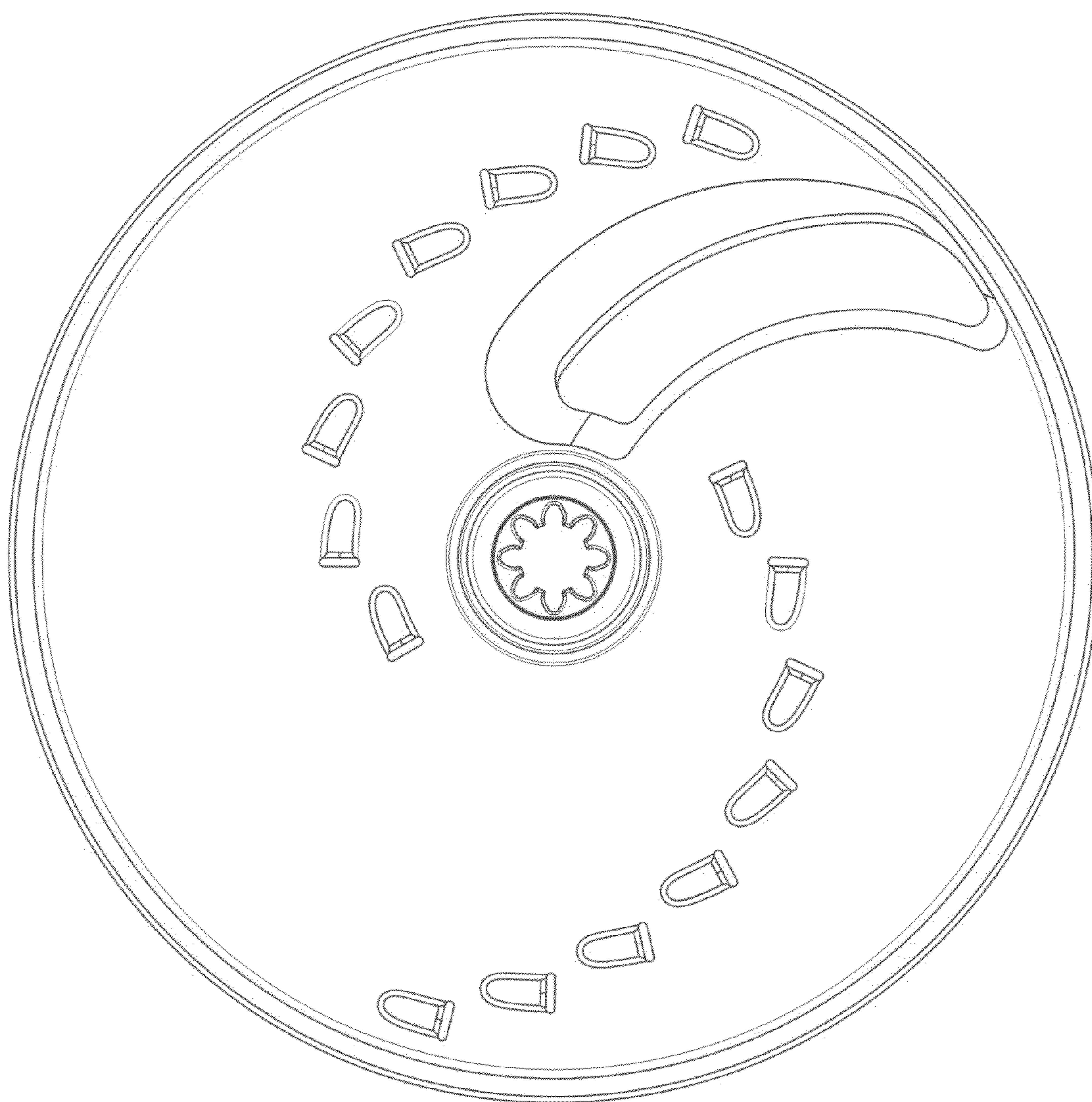


FIGURE 2

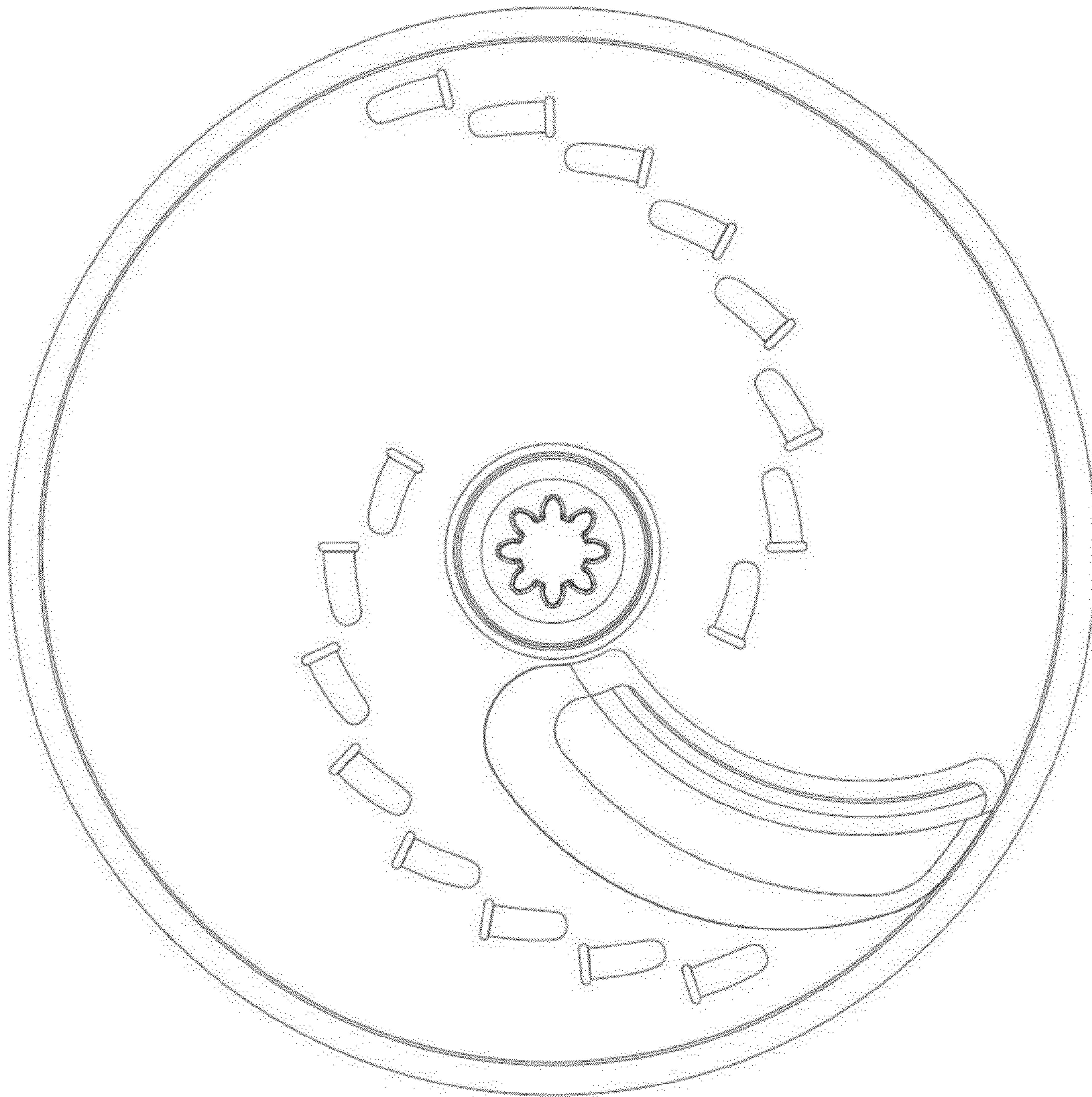


FIGURE 3

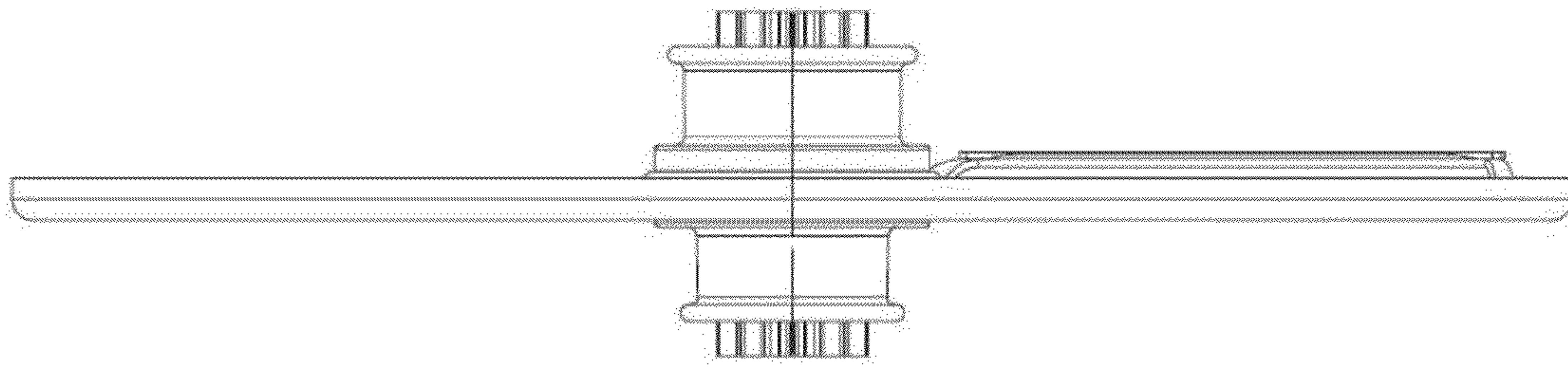


FIGURE 4

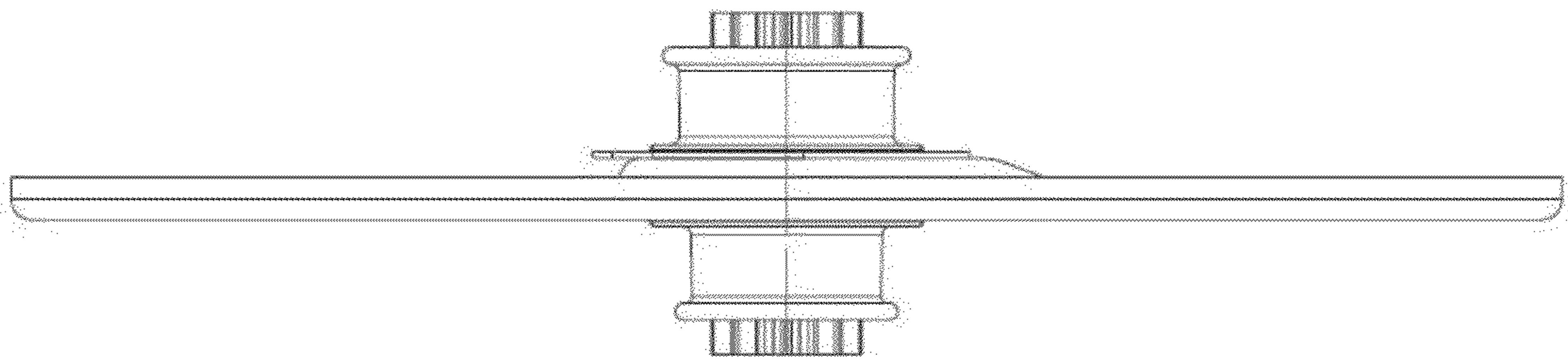


FIGURE 5