



US00D679139S

(12) **United States Design Patent**
Valera

(10) **Patent No.:** **US D679,139 S**
(45) **Date of Patent:** **** Apr. 2, 2013**

(54) **PLATE APPARATUS FOR MINI CAKE MAKING DEVICE**

(76) Inventor: **Diego Valera**, Miami, FL (US)

(**) Term: **14 Years**

(21) Appl. No.: **29/431,970**

(22) Filed: **Sep. 12, 2012**

(51) **LOC (9) Cl.** **07-02**

(52) **U.S. Cl.** **D7/409; D7/352; D7/357; D7/362**

(58) **Field of Classification Search** D7/323,
D7/329-331, 337, 339, 346-347, 350.1-350.4,
D7/352-367, 391, 393, 395, 402, 409-410,
D7/538, 542, 672-674; 99/324-325, 331-332,
99/337-349, 358, 369-376, 380, 389, 400-418,
99/422, 425, 444-446, 483; 126/37 R, 261,
126/378.1; 206/501-505, 507-508; 219/386,
219/400, 405, 429-442, 450.1, 452.13, 620-624,
219/725, 730-735; 220/23.8, 315, 573.1-573.5,
220/912; 249/119; 426/438, 441, 549
See application file for complete search history.

(56) **References Cited**

U.S. PATENT DOCUMENTS

323,887	A *	8/1885	Rutter	249/119
608,144	A *	7/1898	Porter	220/23.8
1,587,788	A *	6/1926	Morley	99/376
1,663,719	A *	3/1928	Morley	426/549
3,696,734	A *	10/1972	Beasley et al.	99/331
3,719,507	A *	3/1973	Bardeau	99/375
3,948,159	A *	4/1976	Vigerstrom	99/358
D262,425	S *	12/1981	Thelander	D7/357
D262,430	S *	12/1981	Thelander	D7/357
D275,925	S *	10/1984	Bowen et al.	D7/357
5,253,565	A *	10/1993	Burton	99/374
5,596,922	A *	1/1997	Chan	99/380

5,613,426	A *	3/1997	Chan Gabbai	99/375
D549,515	S *	8/2007	Curtin et al.	D7/352
D604,998	S *	12/2009	Ablo	D7/674
D642,420	S *	8/2011	Lavy et al.	D7/352
D643,243	S *	8/2011	Harrod	D7/352
D643,673	S *	8/2011	Lavy et al.	D7/352
D643,676	S *	8/2011	Lavy et al.	D7/364
D643,677	S *	8/2011	Lavy et al.	D7/364
D657,608	S *	4/2012	Lavy et al.	D7/352
D657,609	S *	4/2012	Lavy et al.	D7/352
D663,590	S *	7/2012	Muspratt-Williams	D7/674
D668,907	S *	10/2012	Lavy et al.	D7/352
D669,299	S *	10/2012	Lavy et al.	D7/352
D669,300	S *	10/2012	Lavy et al.	D7/352

* cited by examiner

Primary Examiner — Ricky Pham

(74) *Attorney, Agent, or Firm* — Mark Terry

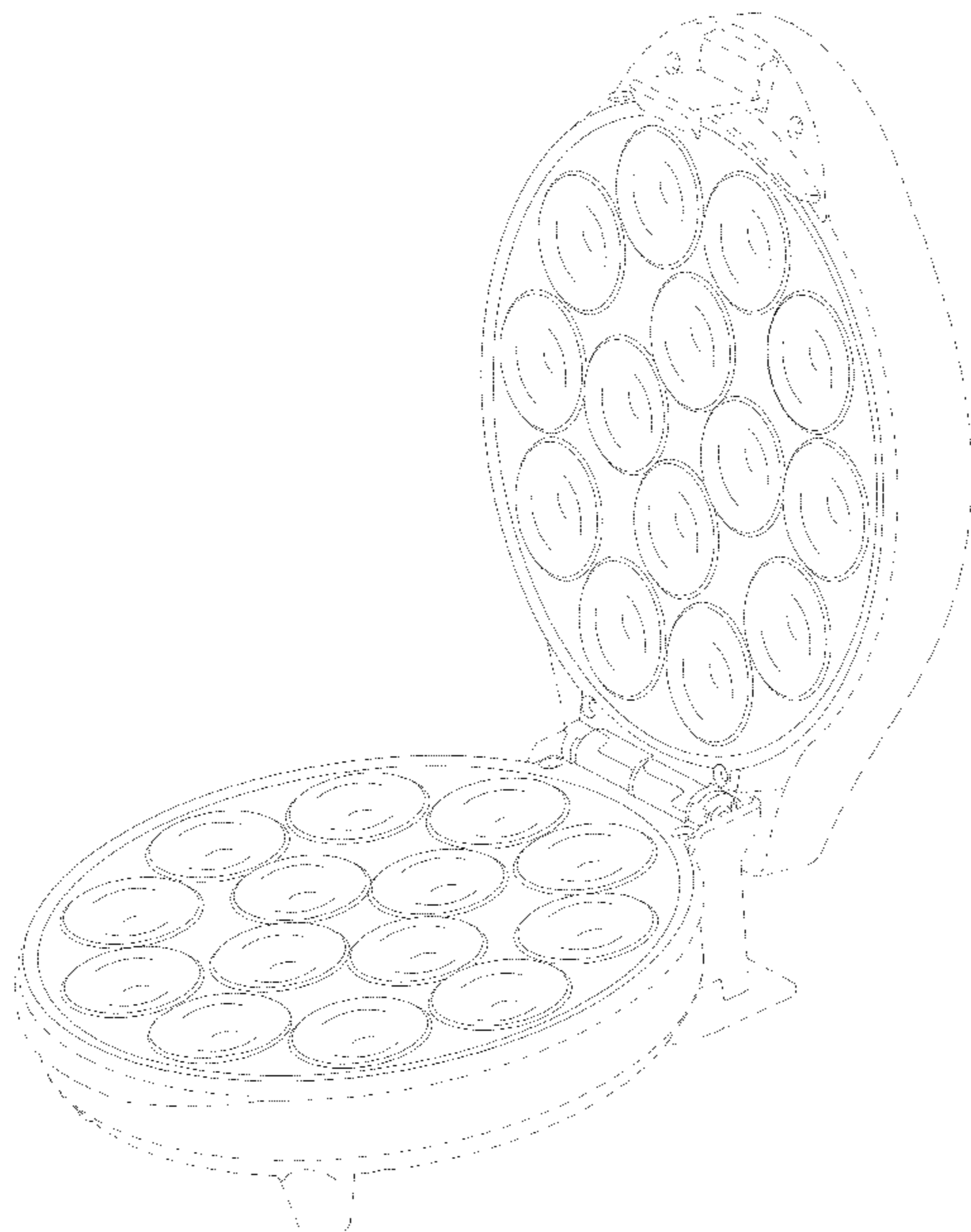
(57) **CLAIM**

The ornamental design for a plate apparatus for mini cake making device, as shown and described.

DESCRIPTION

FIG. 1 is a top view of a dual plate apparatus for a mini cake making device, showing the new design;
FIG. 2 is a left side view thereof;
FIG. 3 is a right side view thereof;
FIG. 4 is a rear view thereof;
FIG. 5 is a front view thereof;
FIG. 6 is a side perspective view of the dual plate apparatus used in a mini cake making device, showing the new design; and,
FIG. 7 is a top view of the dual plate apparatus used in a mini cake making device, showing the new design.
The broken lines shown in the drawings are for illustrative purposes only and form no part of the claimed design.

1 Claim, 5 Drawing Sheets



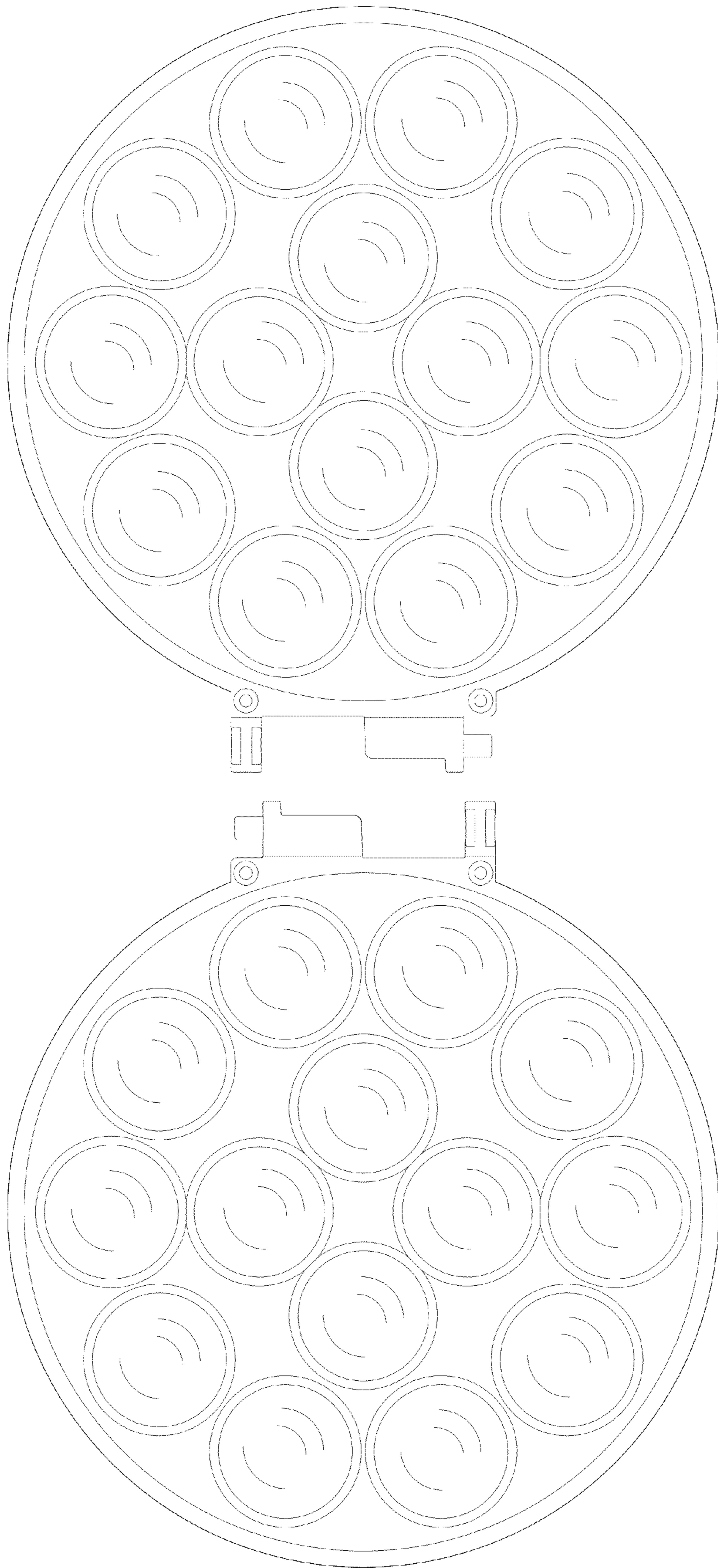


Fig. 1

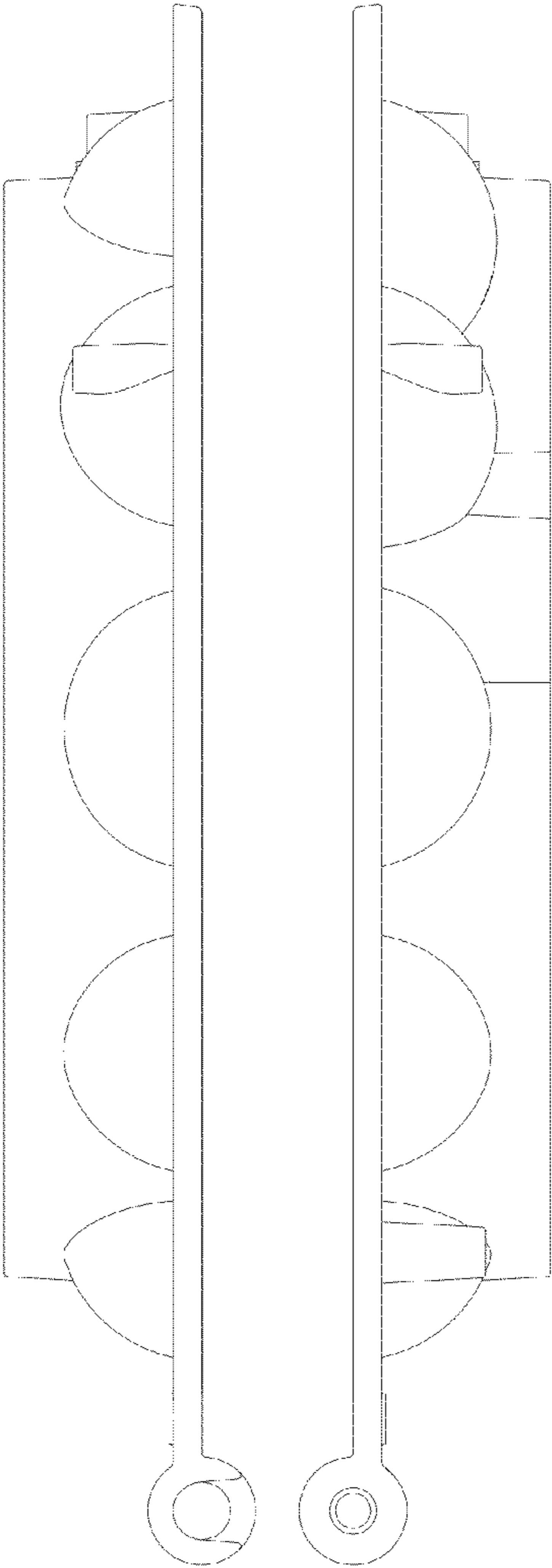


Fig. 2

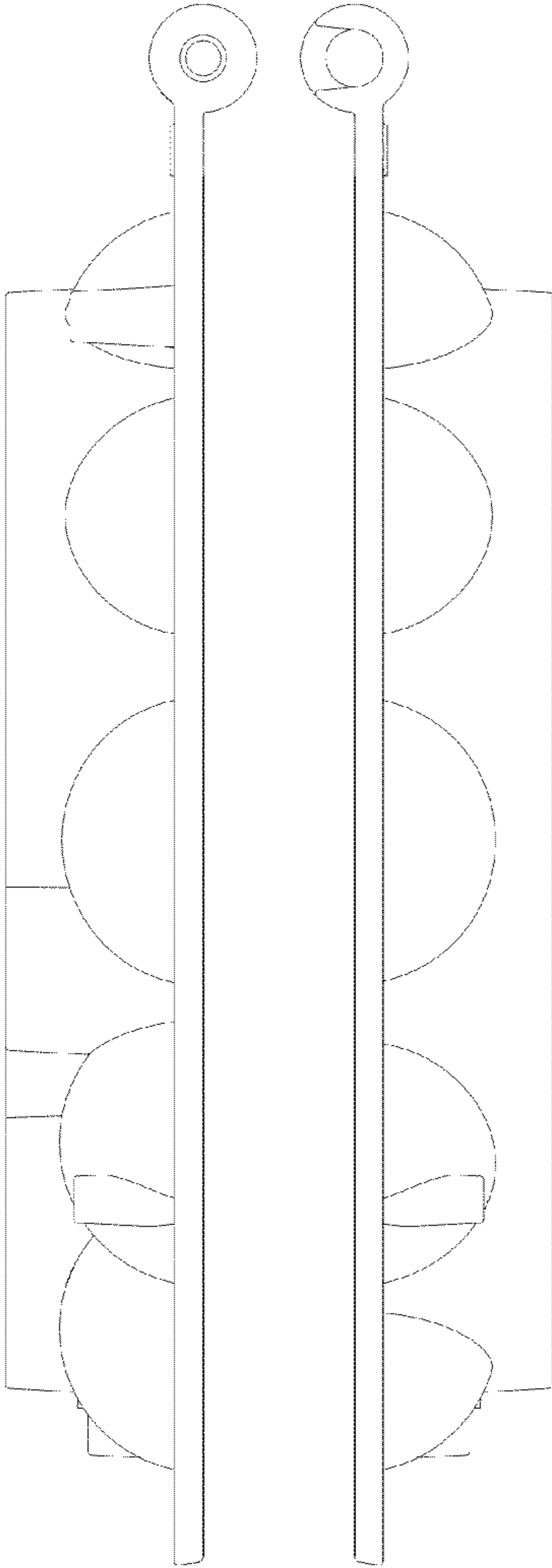


Fig. 3

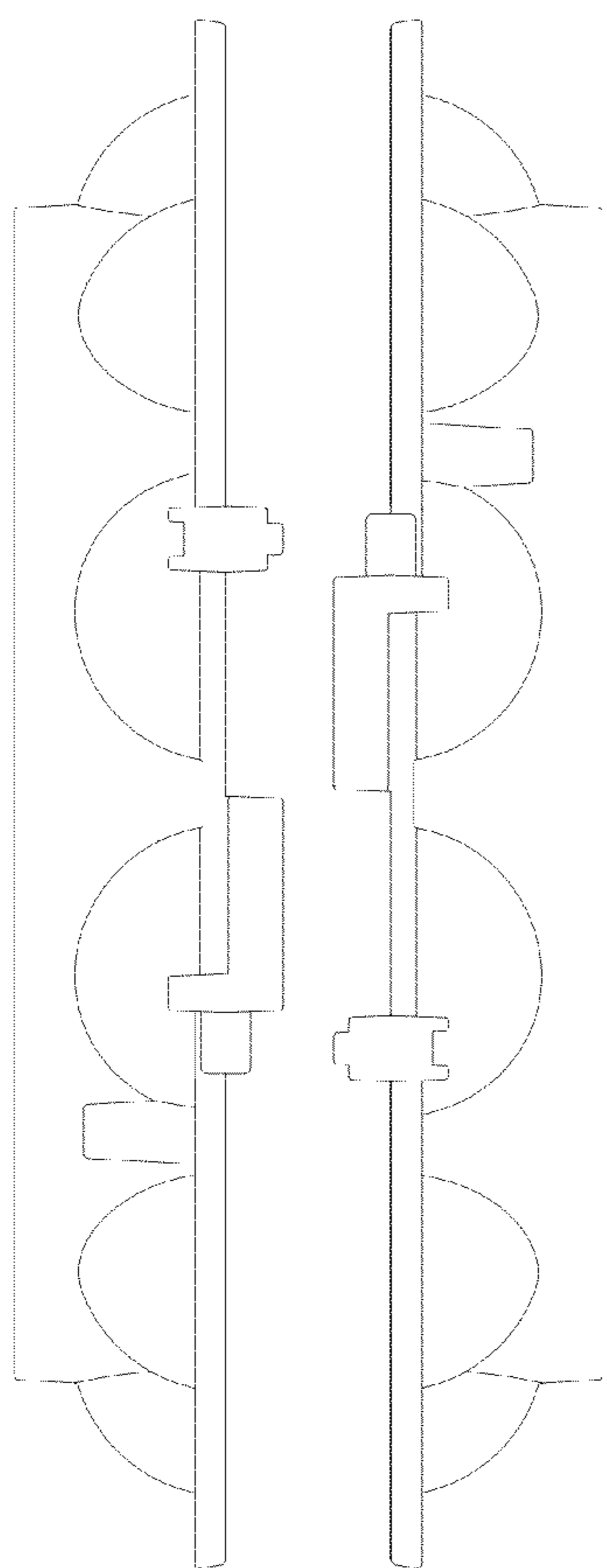


Fig. 4

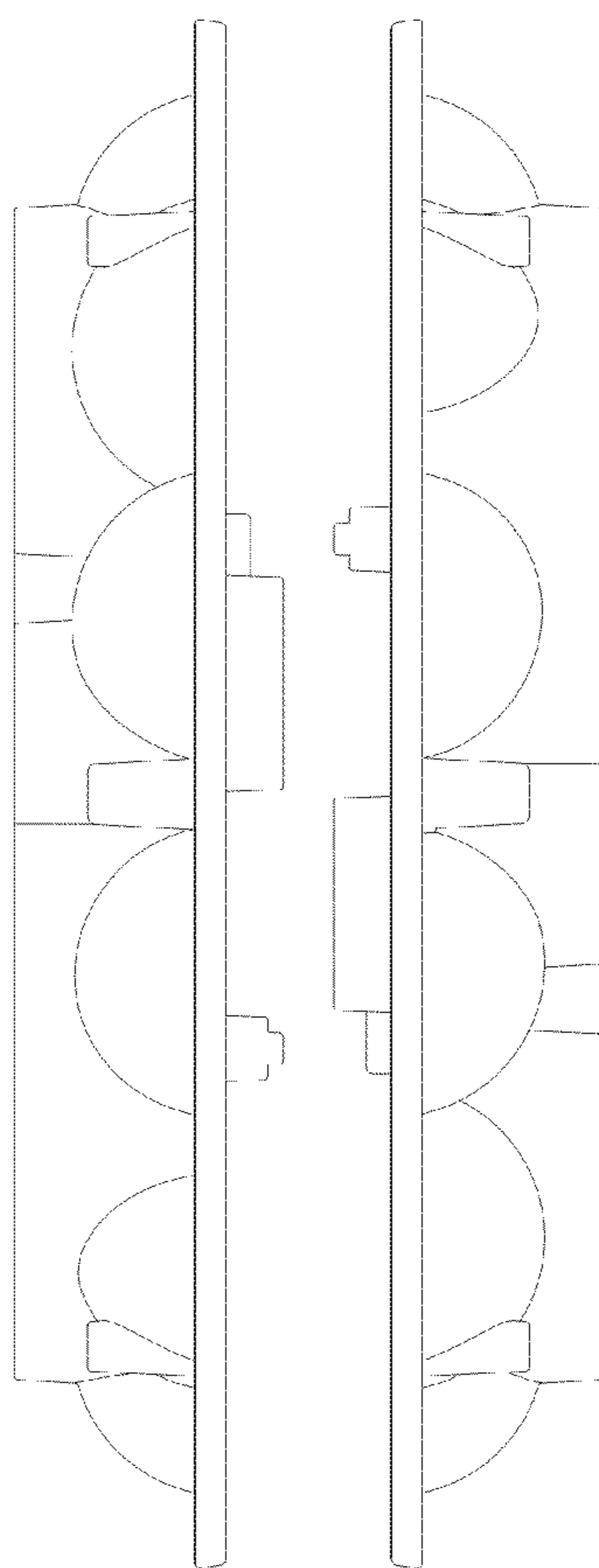


Fig. 5

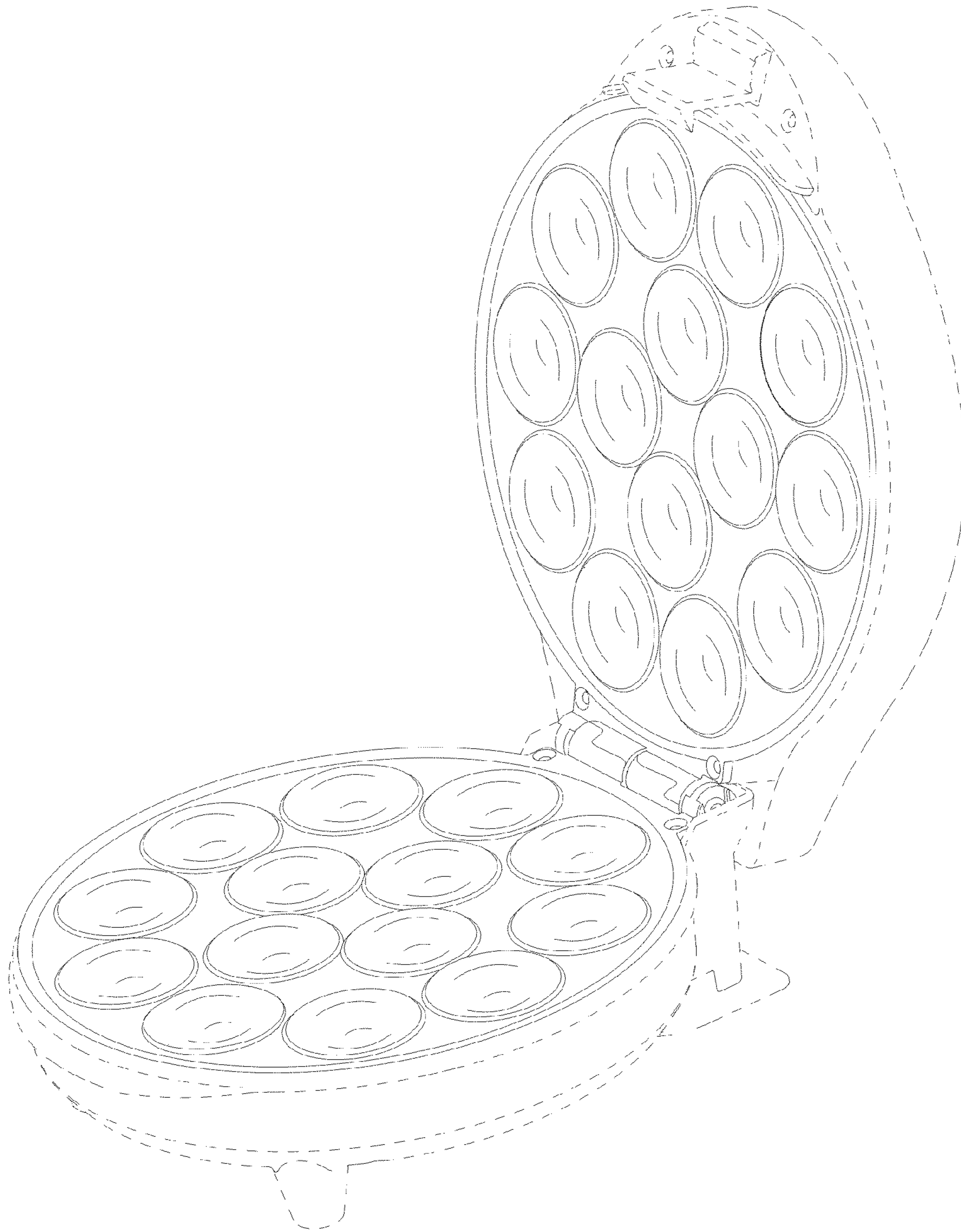


Fig. 6

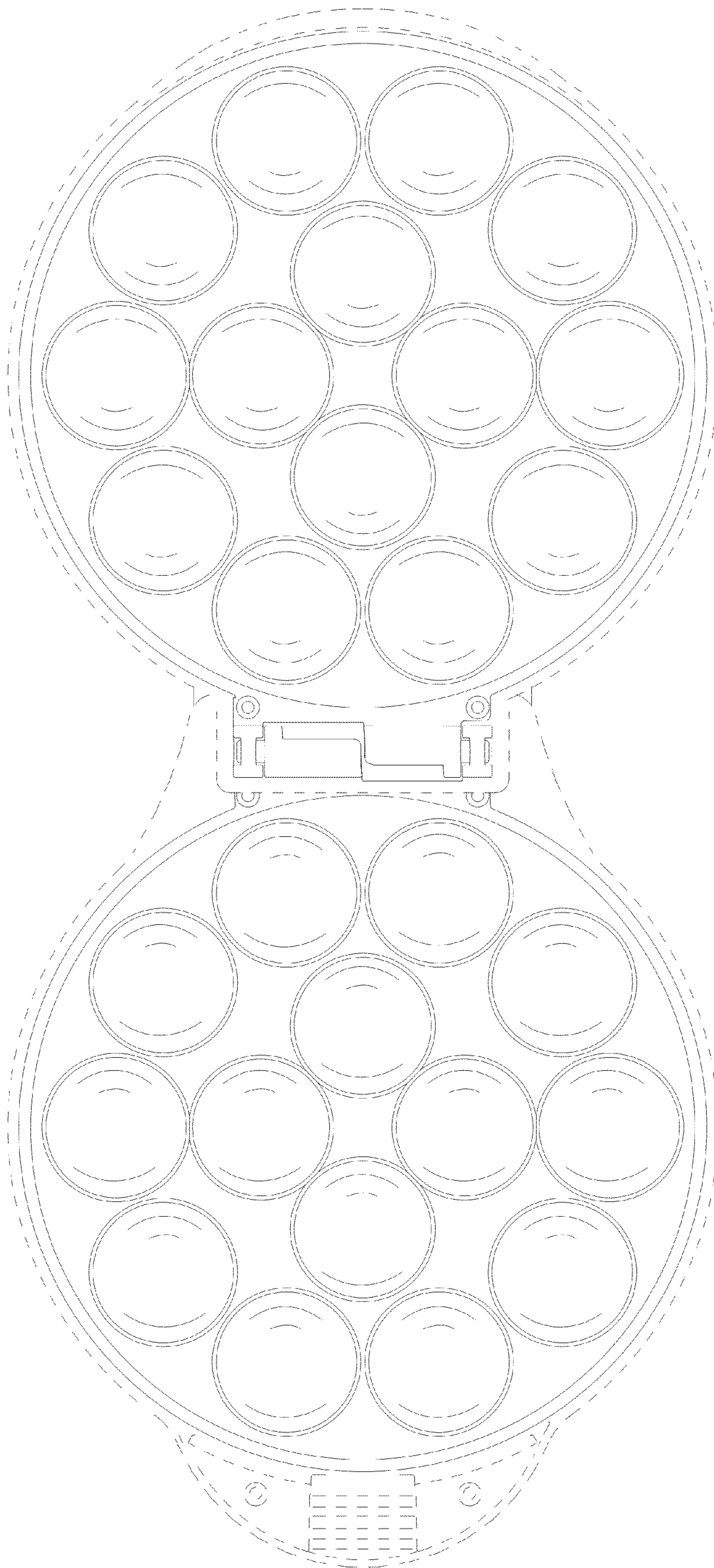


Fig. 7