



US00D679138S

(12) **United States Design Patent**
Valera

(10) **Patent No.:** **US D679,138 S**
(45) **Date of Patent:** **** Apr. 2, 2013**

(54) **DUAL PLATE APPARATUS FOR EMPANADA MAKING DEVICE**

(76) Inventor: **Diego Valera**, Miami, FL (US)

(**) Term: **14 Years**

(21) Appl. No.: **29/422,990**

(22) Filed: **May 25, 2012**

(51) **LOC (9) Cl.** **07-02**

(52) **U.S. Cl.** **D7/409; D7/352; D7/357; D7/362**

(58) **Field of Classification Search** D7/323,
D7/329-331, 337, 339, 346-347, 350.1-350.4,
D7/352-367, 391, 393, 395, 402, 409-410,
D7/538, 542, 672-674; 99/324-325, 331-332,
99/337-349, 358, 369-376, 380, 389, 400-418,
99/422, 425, 444-446, 483; 126/37 R, 261,
126/378.1; 206/501-505, 507-508; 219/386,
219/400, 405, 429-442, 450.1, 452.13, 620-624,
219/725, 730-735; 220/23.8, 315, 573.1-573.5,
220/912; 425/289; 426/438, 441, 549
See application file for complete search history.

(56) **References Cited**

U.S. PATENT DOCUMENTS

2,780,163	A *	2/1957	Lee	99/375
3,696,734	A *	10/1972	Beasley et al.	99/331
3,719,507	A *	3/1973	Bardeau	99/375
3,948,159	A *	4/1976	Vigerstrom	99/358
D262,425	S *	12/1981	Thelander	D7/357
D262,430	S *	12/1981	Thelander	D7/357
4,759,706	A *	7/1988	Damianakos et al.	425/289
D333,760	S *	3/1993	Walker	D7/672
5,253,565	A *	10/1993	Burton	99/374
5,596,922	A *	1/1997	Chan	99/380
5,613,426	A *	3/1997	Chan Gabbai	99/375
D391,124	S *	2/1998	Cote	D7/672

6,429,409	B1 *	8/2002	Siu	219/450.1
6,860,191	B2 *	3/2005	Jackson et al.	99/340
D514,384	S *	2/2006	Mitchell et al.	D7/410
D604,998	S *	12/2009	Ablo	D7/674
D642,420	S *	8/2011	Lavy et al.	D7/352
D643,243	S *	8/2011	Harrod	D7/352
D643,673	S *	8/2011	Lavy et al.	D7/352
D643,676	S *	8/2011	Lavy et al.	D7/364
D657,608	S *	4/2012	Lavy et al.	D7/352
D657,609	S *	4/2012	Lavy et al.	D7/352
D663,590	S *	7/2012	Muspratt-Williams	D7/674
D668,907	S *	10/2012	Lavy et al.	D7/352
D669,299	S *	10/2012	Lavy et al.	D7/352
D669,300	S *	10/2012	Lavy et al.	D7/352

* cited by examiner

Primary Examiner — Ricky Pham

(74) *Attorney, Agent, or Firm* — Mark Terry

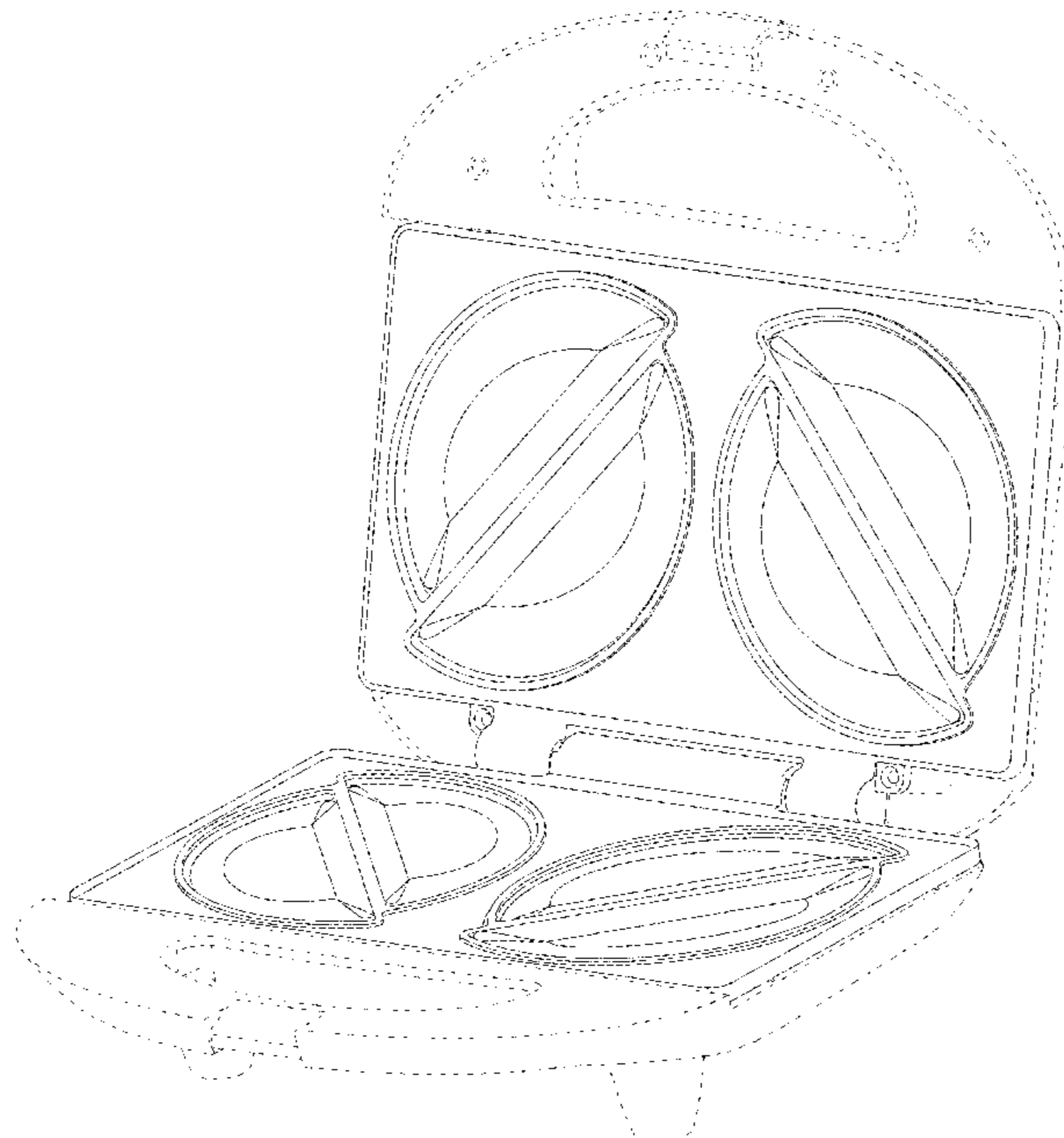
(57) **CLAIM**

The ornamental design for a dual plate apparatus for an empanada making device, as shown and described.

DESCRIPTION

FIG. 1 is a top view of the dual plate apparatus for an empanada making device, showing the new design; FIG. 2 is a left side view thereof; FIG. 3 is a right side view thereof; FIG. 4 is a rear view thereof; FIG. 5 is a front view thereof; FIG. 6 is a side perspective view of the dual plate apparatus used in an empanada making device, showing the new design; and, FIG. 7 is a top view of the dual plate apparatus used in an empanada making device, showing the new design. The broken lines shown in the drawings are for illustrative purposes only and form no part of the claimed design.

1 Claim, 5 Drawing Sheets



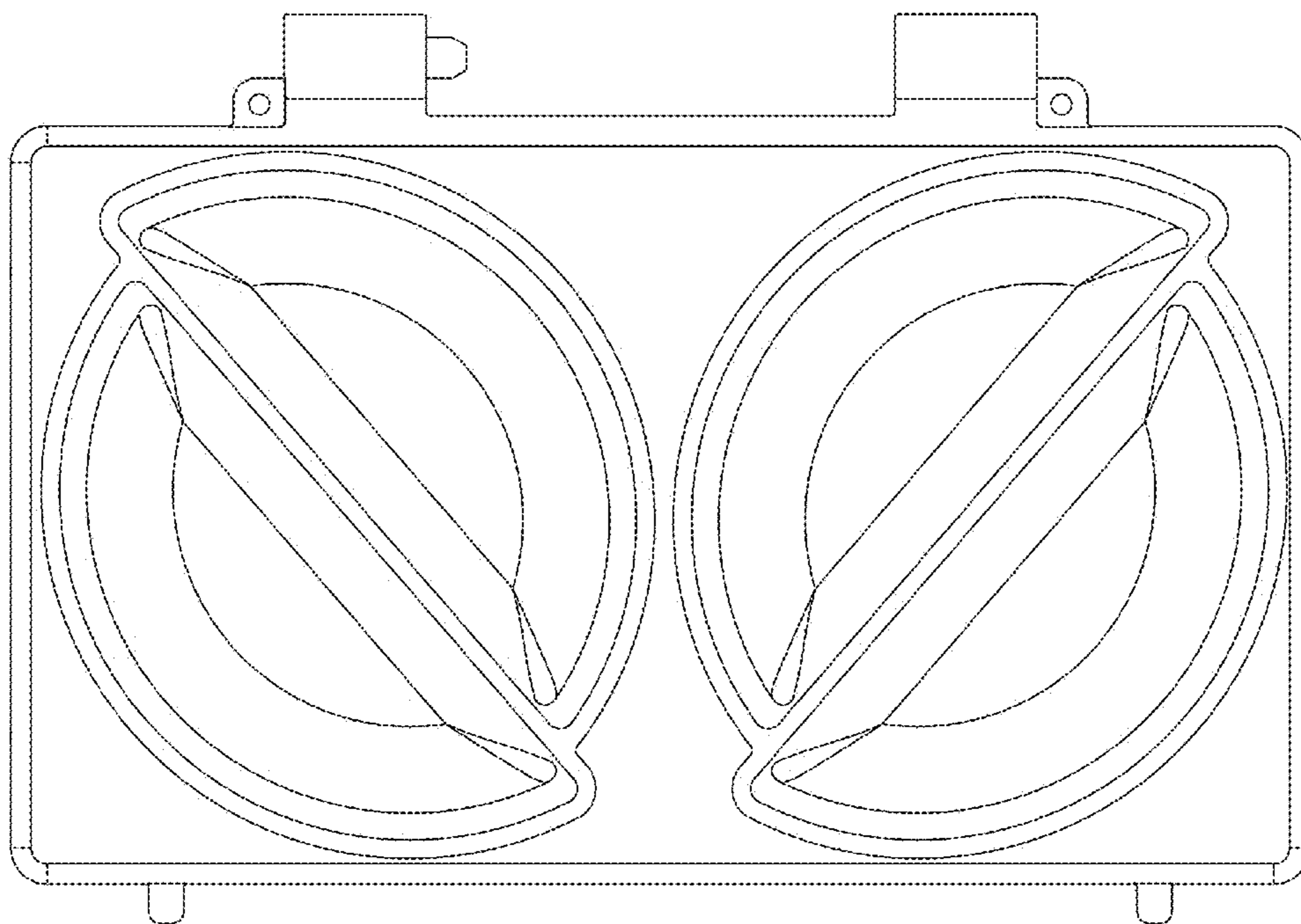
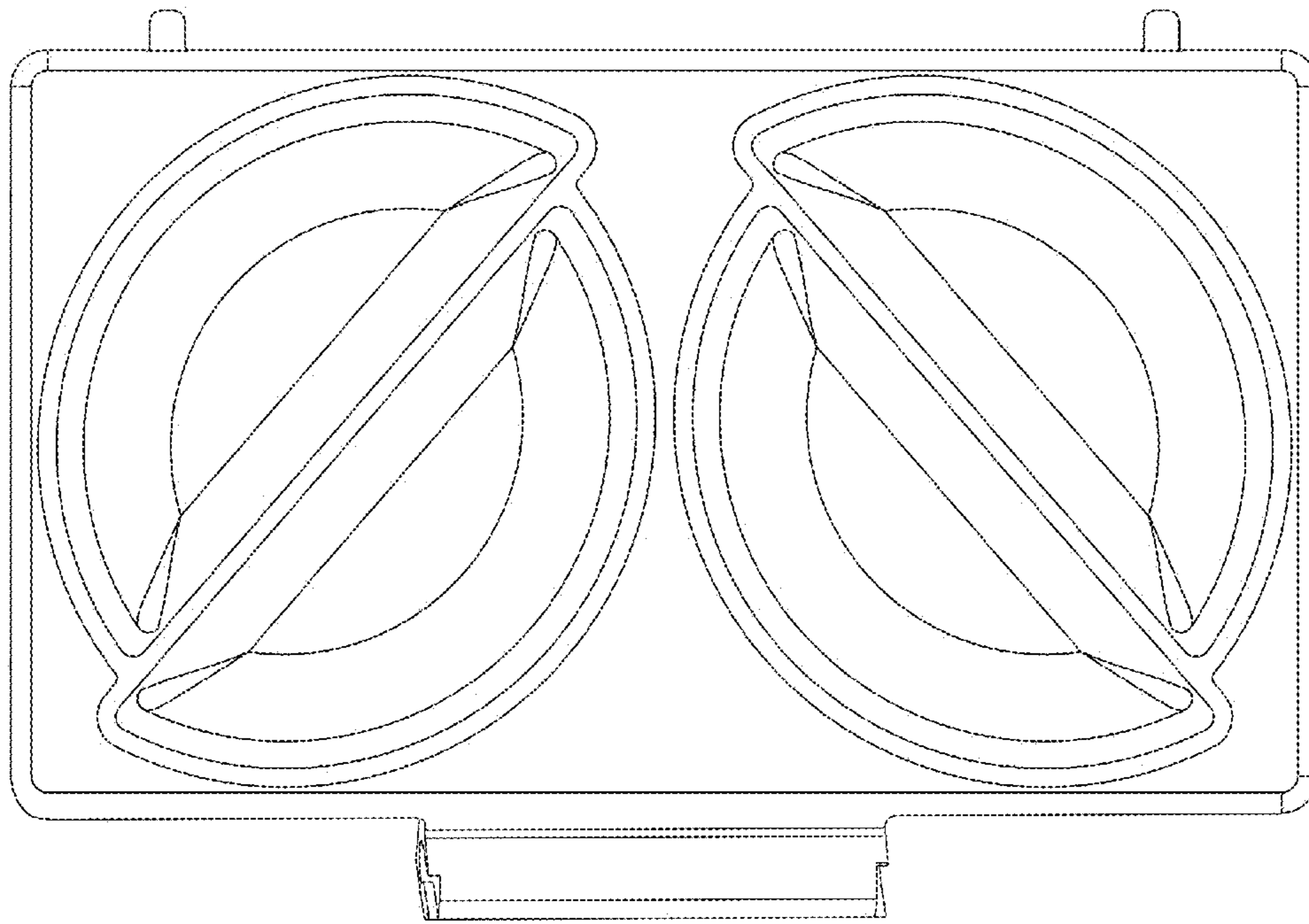


FIG 1

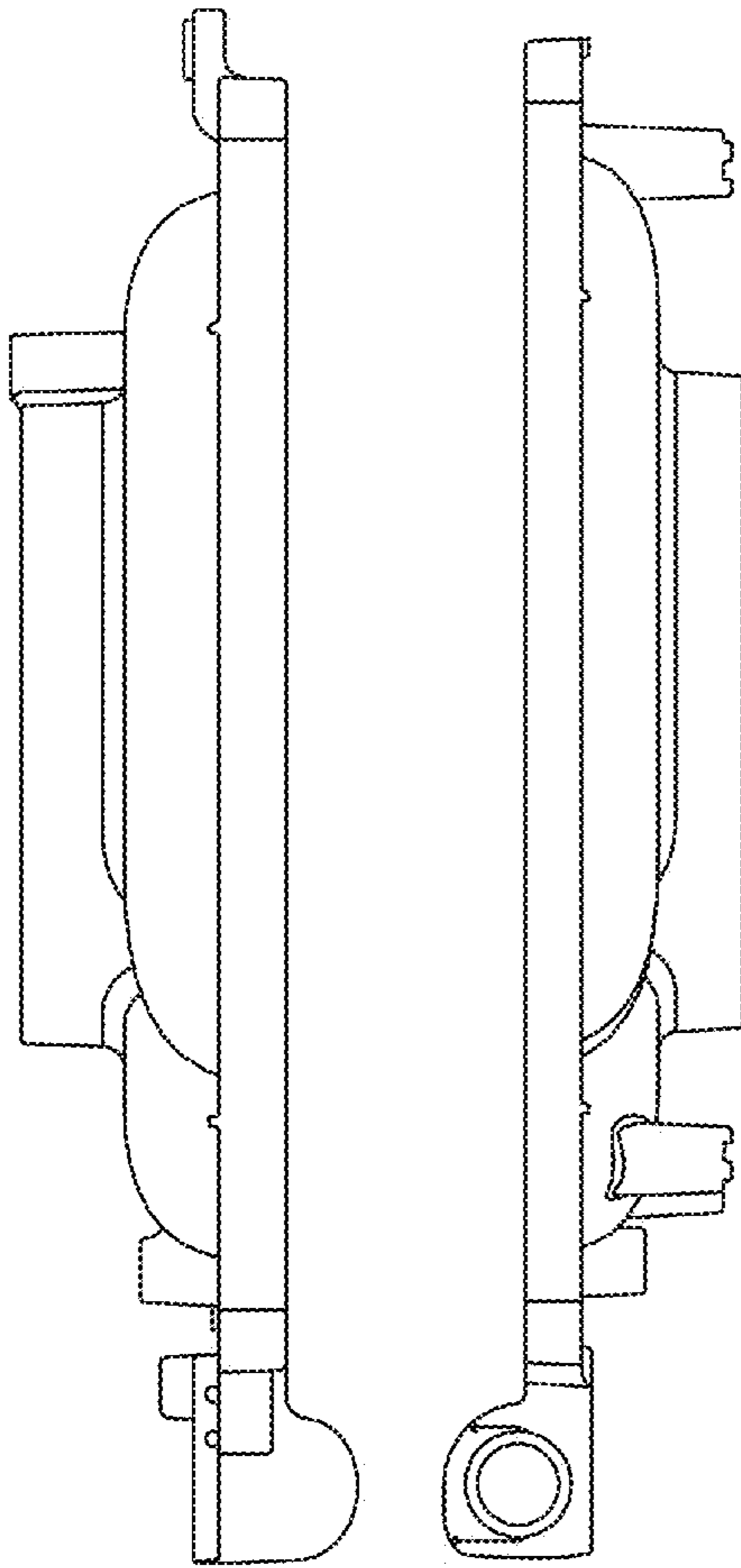


FIG 2

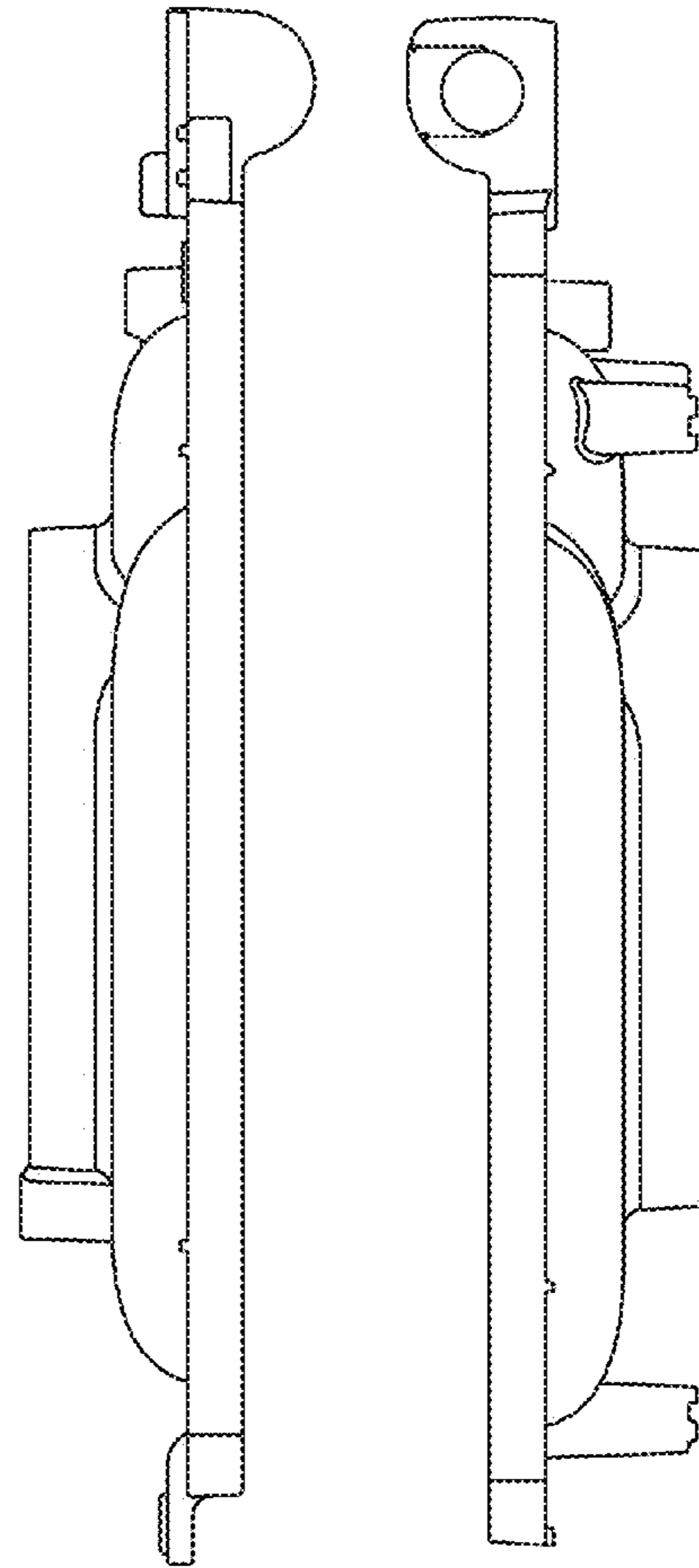


FIG 3

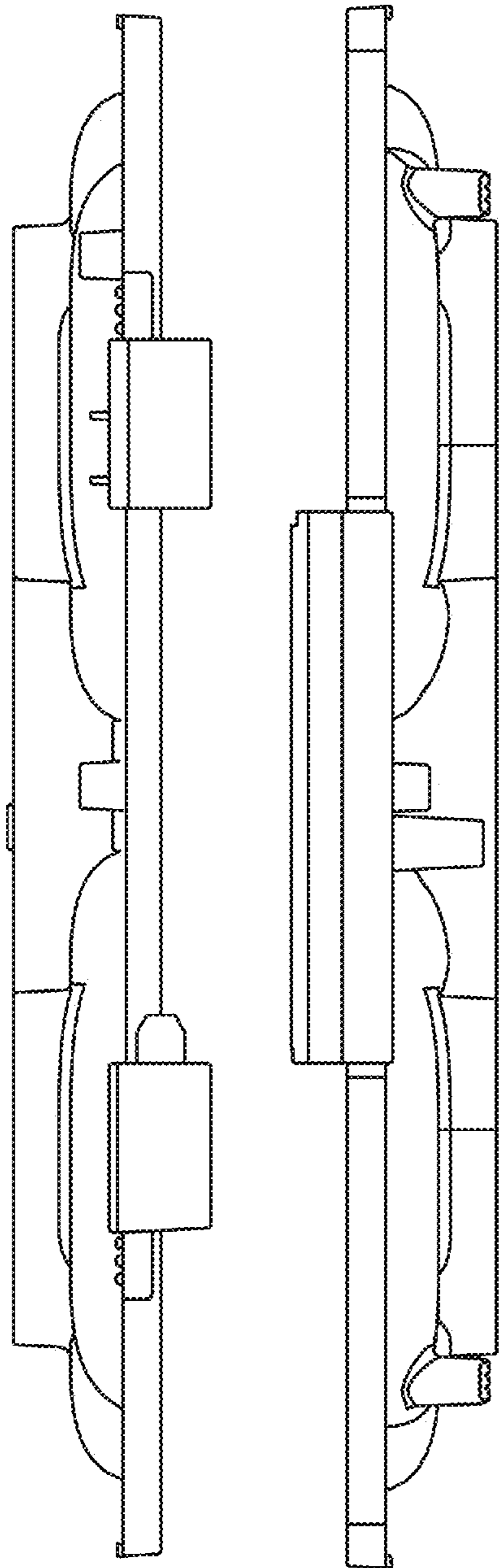


FIG 4

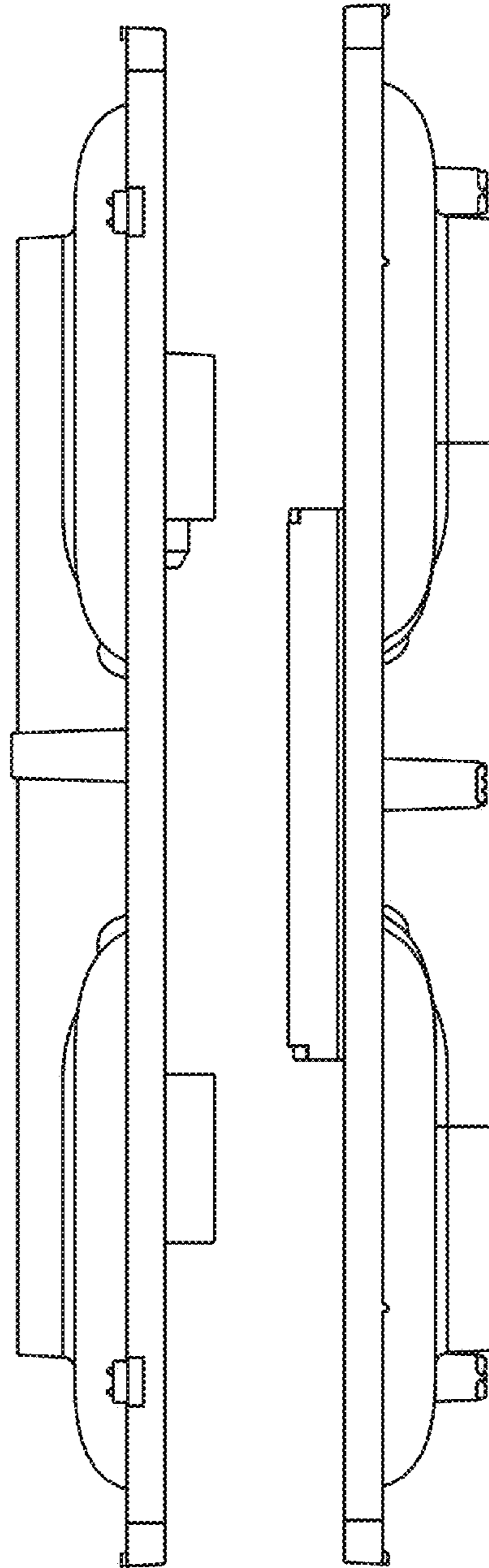


FIG 5

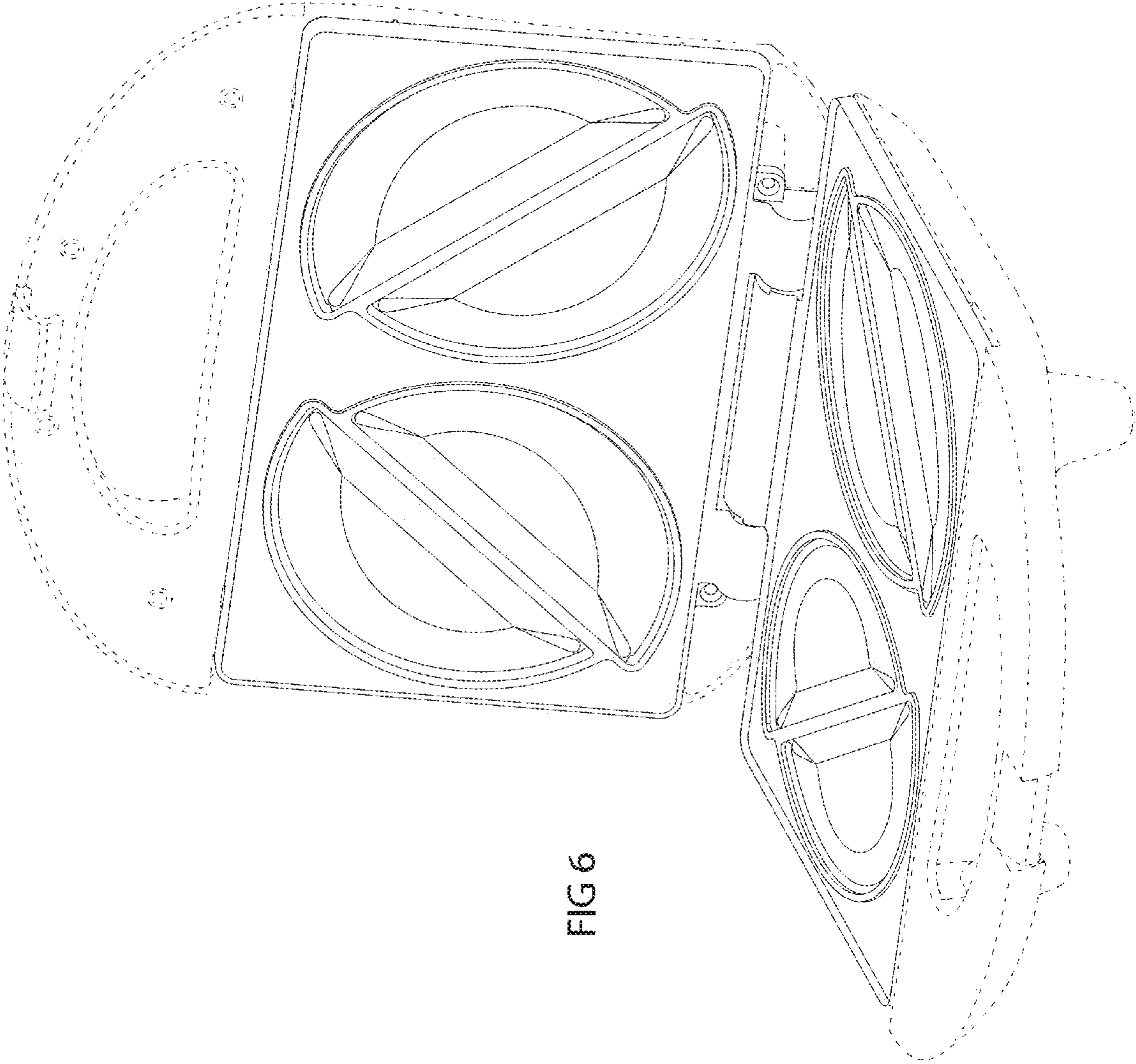


FIG 6

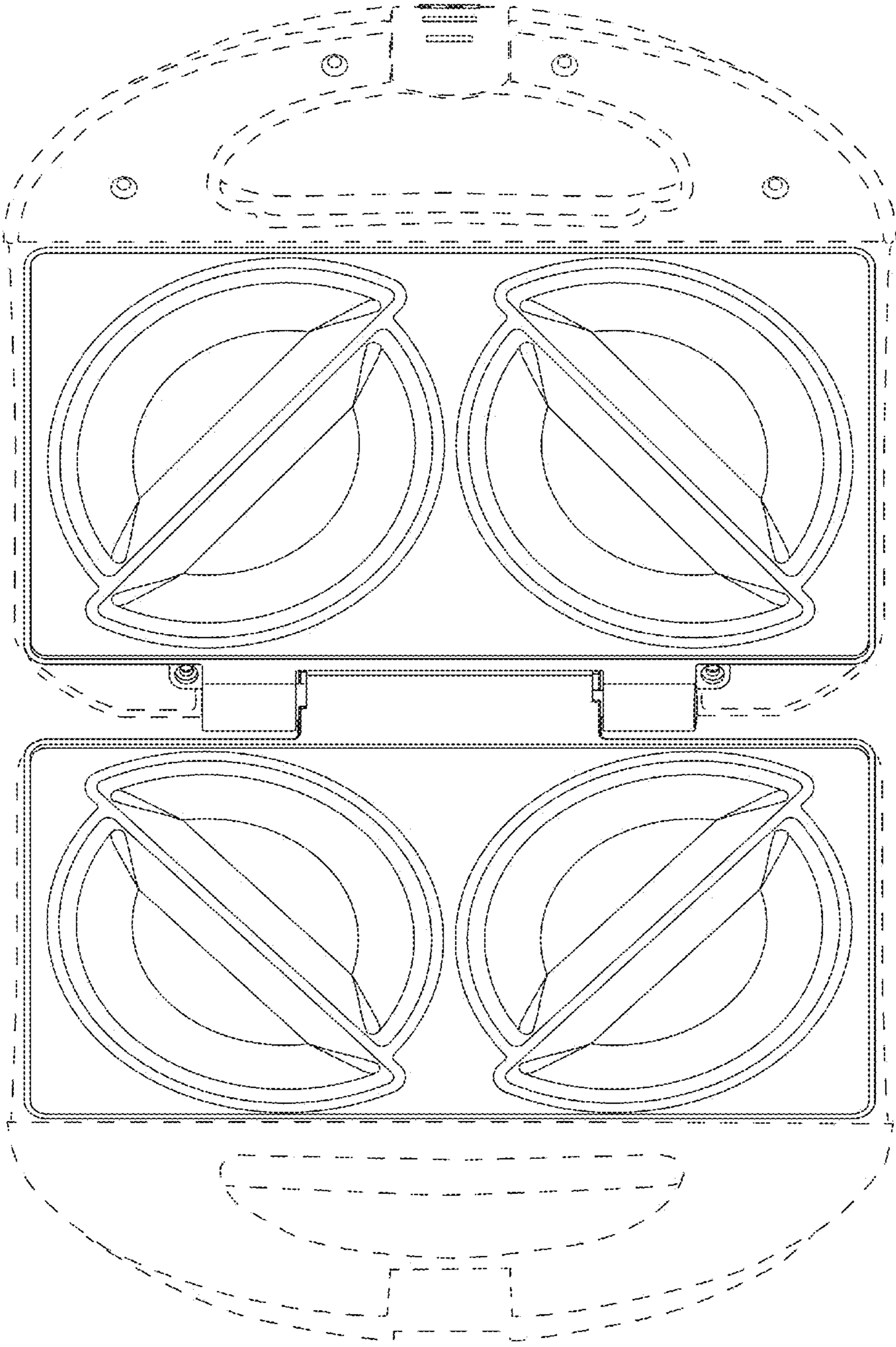


FIG 7