



US00D679135S

(12) **United States Design Patent**
Valera

(10) **Patent No.:** **US D679,135 S**
(45) **Date of Patent:** **** Apr. 2, 2013**

- (54) **DUAL PLATE APPARATUS FOR BURGER MAKING DEVICE**
- (76) Inventor: **Diego Valera**, Miami, FL (US)
- (**) Term: **14 Years**
- (21) Appl. No.: **29/420,182**
- (22) Filed: **May 4, 2012**
- (51) **LOC (9) Cl.** **07-02**
- (52) **U.S. Cl.** **D7/409; D7/352; D7/357; D7/364**
- (58) **Field of Classification Search** D7/323, D7/329-331, 337, 339, 346-347, 350.1-350.4, D7/352-367, 391, 393, 395, 402, 409-410, D7/538, 542, 672-674; 99/324-325, 331-332, 99/337-349, 358, 369-376, 380, 389, 400-418, 99/422, 425, 444-446, 483; 126/37 R, 261, 126/378.1; 206/501-505, 507-508; 219/386, 219/400, 405, 429-442, 450.1, 452.13, 620-624, 219/725, 730-735; 220/23.8, 315, 573.1-573.5, 220/912; 249/119; 426/438, 441, 549
See application file for complete search history.

5,613,426 A *	3/1997	Chan Gabbai	99/375
D549,515 S *	8/2007	Curtin et al.	D7/352
D604,998 S *	12/2009	Ablo	D7/674
D642,420 S *	8/2011	Lavy et al.	D7/352
D643,243 S *	8/2011	Harrod	D7/352
D643,673 S *	8/2011	Lavy et al.	D7/352
D643,676 S *	8/2011	Lavy et al.	D7/364
D643,677 S *	8/2011	Lavy et al.	D7/364
D657,608 S *	4/2012	Lavy et al.	D7/352
D657,609 S *	4/2012	Lavy et al.	D7/352
D663,590 S *	7/2012	Muspratt-Williams	D7/674
D668,907 S *	10/2012	Lavy et al.	D7/352
D669,299 S *	10/2012	Lavy et al.	D7/352
D669,300 S *	10/2012	Lavy et al.	D7/352

* cited by examiner

Primary Examiner — Ricky Pham
(74) *Attorney, Agent, or Firm* — Mark Terry

(57) **CLAIM**
The ornamental design for a dual plate apparatus for a burger making device, as shown and described.

DESCRIPTION

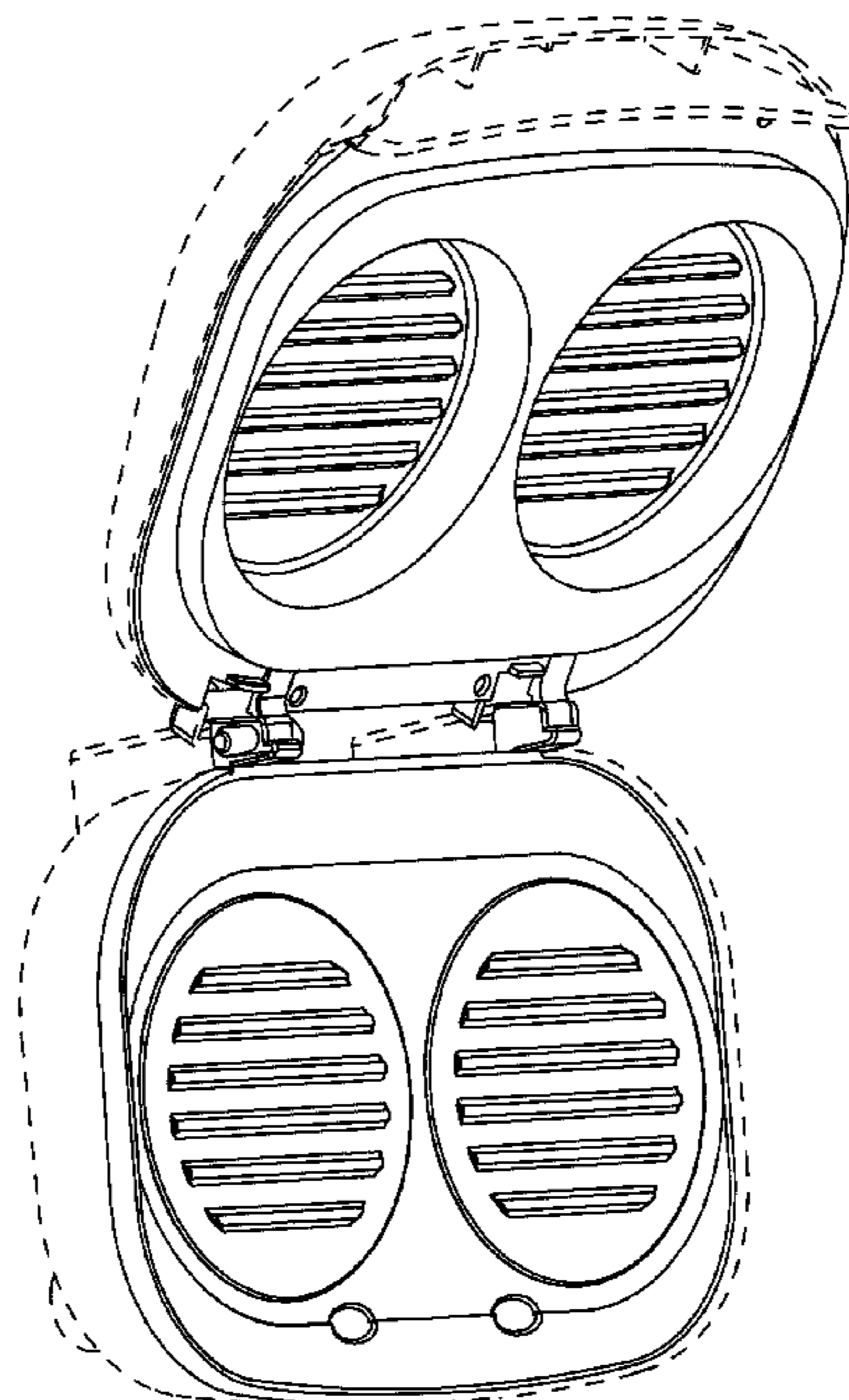
FIG. 1 is a top view of a dual plate apparatus for a burger cake making device, showing the new design; FIG. 2 is a left side view thereof; FIG. 3 is a right side view thereof; FIG. 4 is a front view thereof; FIG. 5 is a rear view thereof; FIG. 6 is a top perspective view of the dual plate apparatus used in a burger making device, showing the new design; and, FIG. 7 is a side perspective view of the dual plate apparatus used in a burger making device, showing the new design. The broken lines shown in the drawings are for illustrative purposes only and form no part of the claimed design.

1 Claim, 5 Drawing Sheets

(56) **References Cited**

U.S. PATENT DOCUMENTS

323,887 A *	8/1885	Porter	249/119
608,144 A *	7/1898	Porter	220/23.8
1,587,788 A *	6/1926	Morley	99/376
1,663,719 A *	3/1928	Morley	426/549
3,696,734 A *	10/1972	Beasley et al.	99/331
3,719,507 A *	3/1973	Bardeau	99/375
3,948,159 A *	4/1976	Vigerstrom	99/358
D262,425 S *	12/1981	Thelander	D7/357
D262,430 S *	12/1981	Thelander	D7/357
D275,925 S *	10/1984	Bowen et al.	D7/357
5,253,565 A *	10/1993	Burton	99/374
5,596,922 A *	1/1997	Chan	99/380



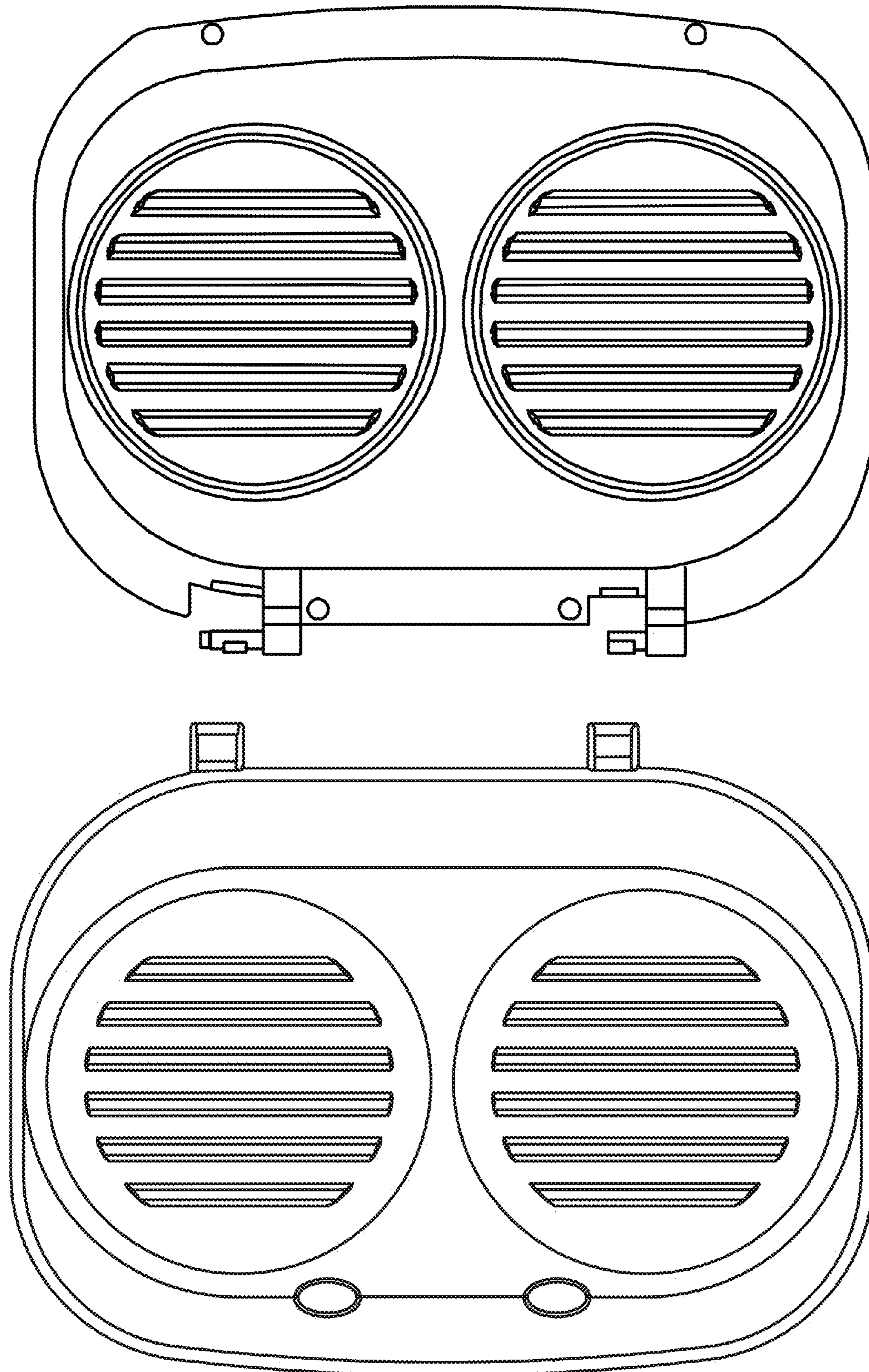


FIG 1

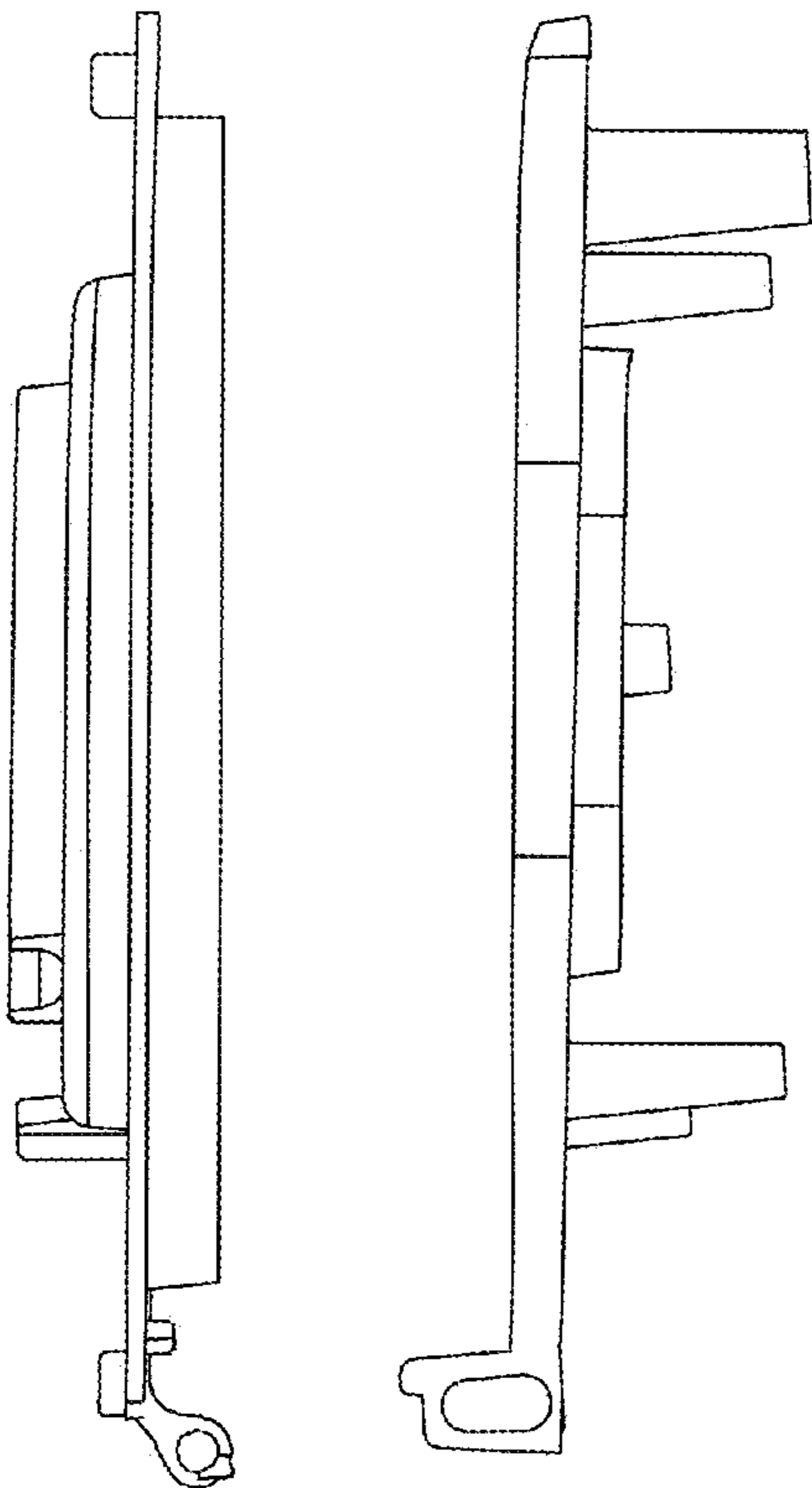


FIG 2

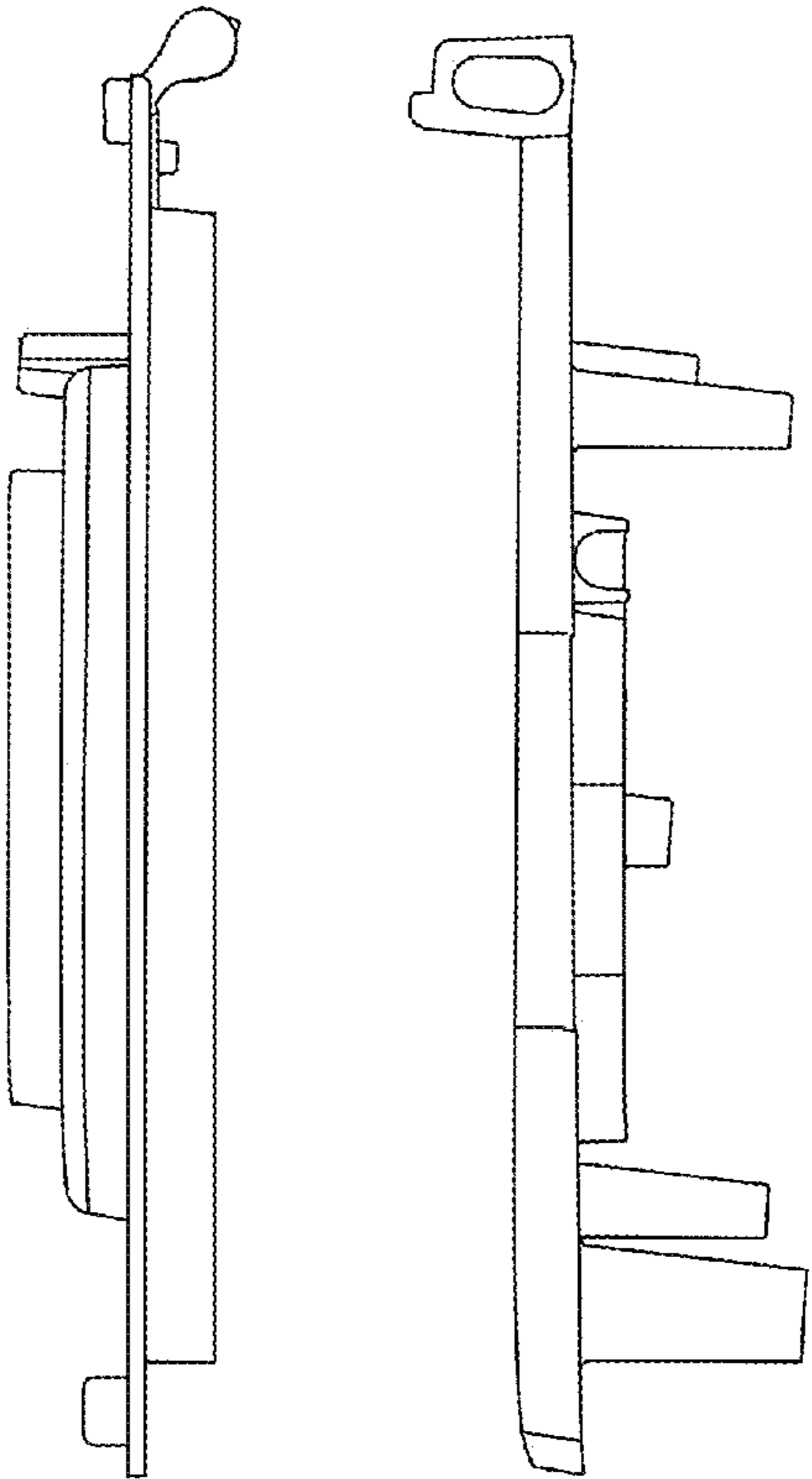


FIG 3

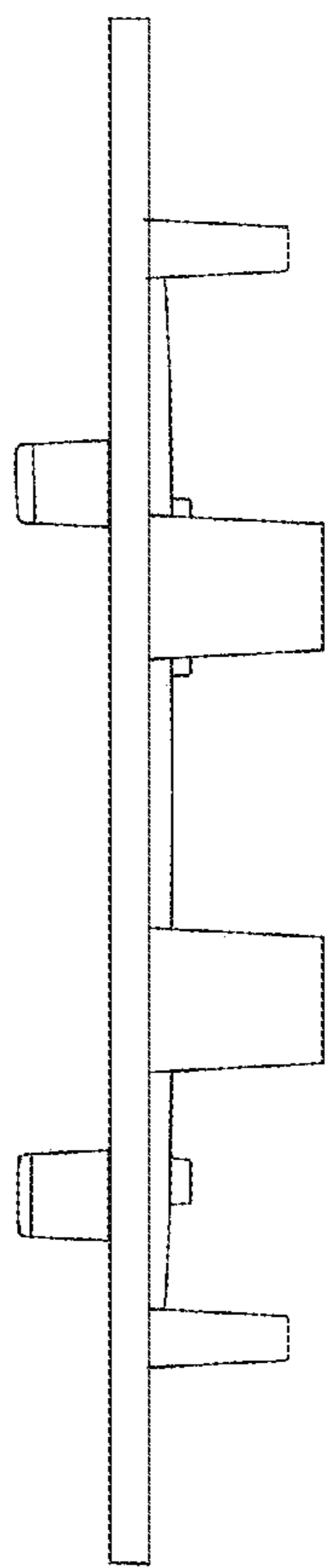
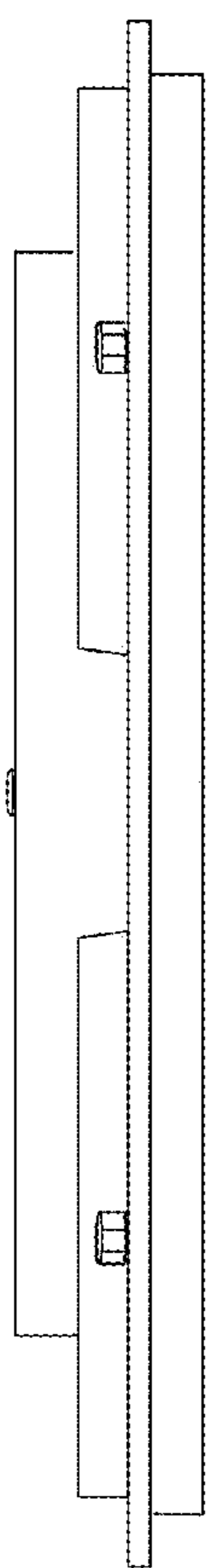


FIG 4

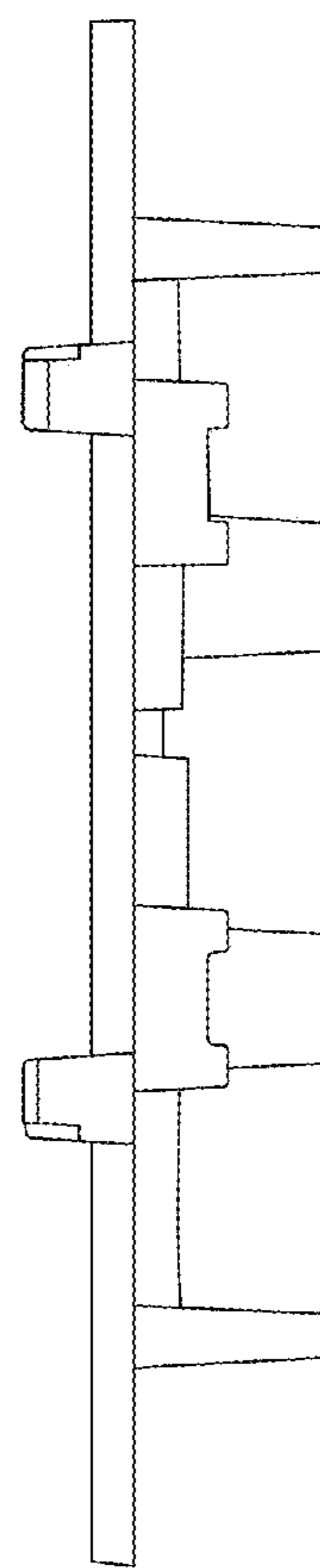
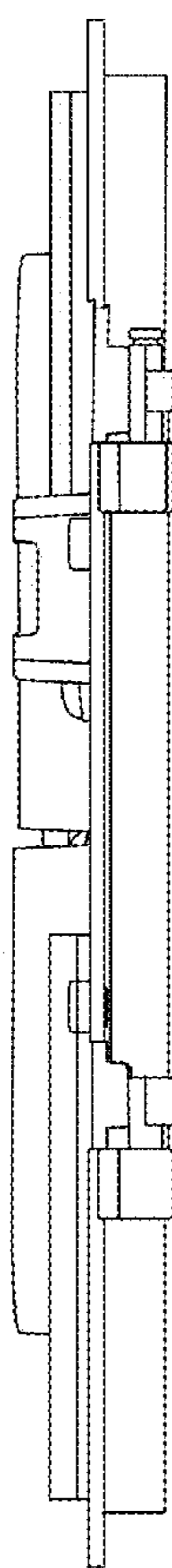


FIG 5

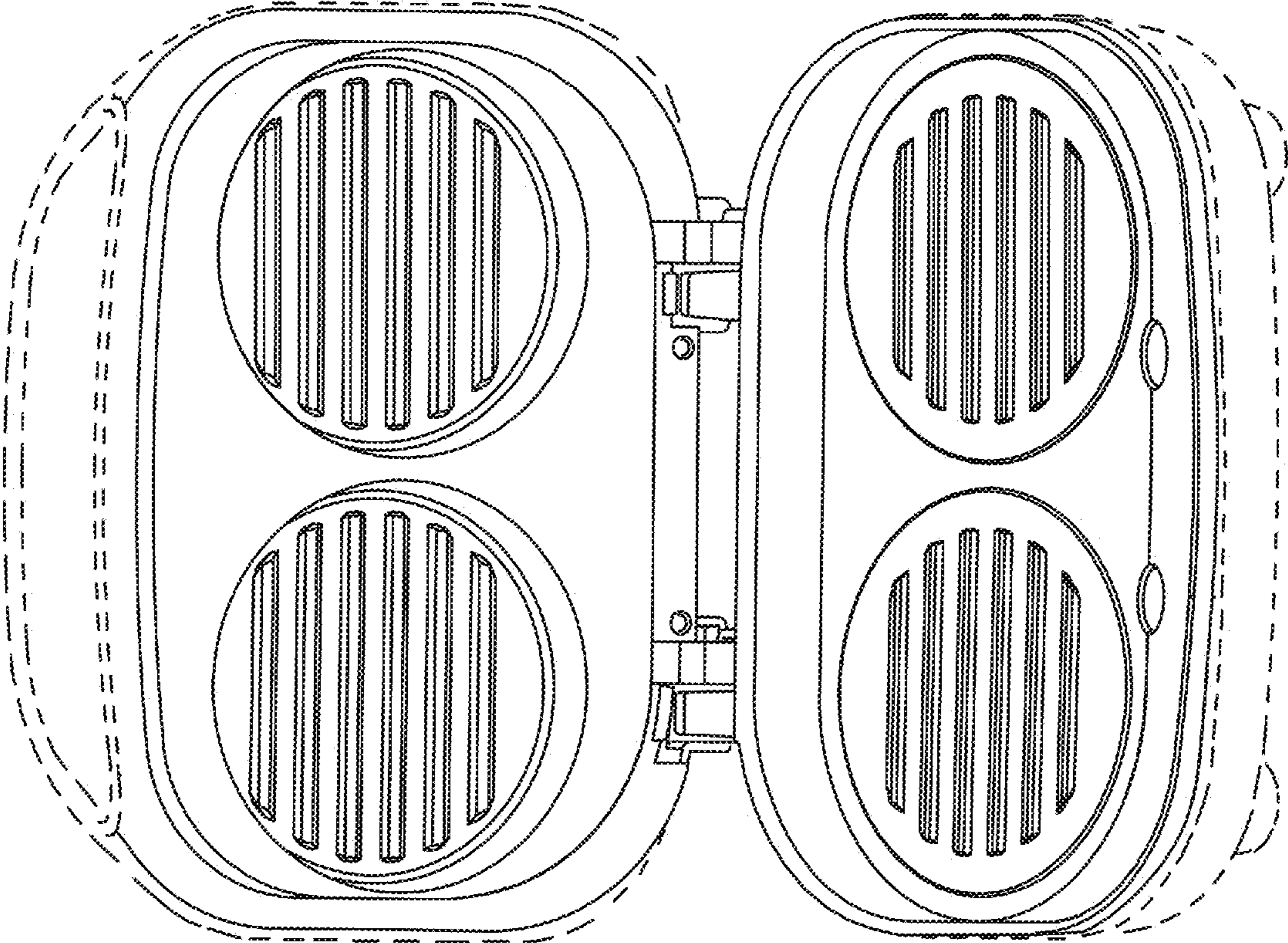


FIG 6

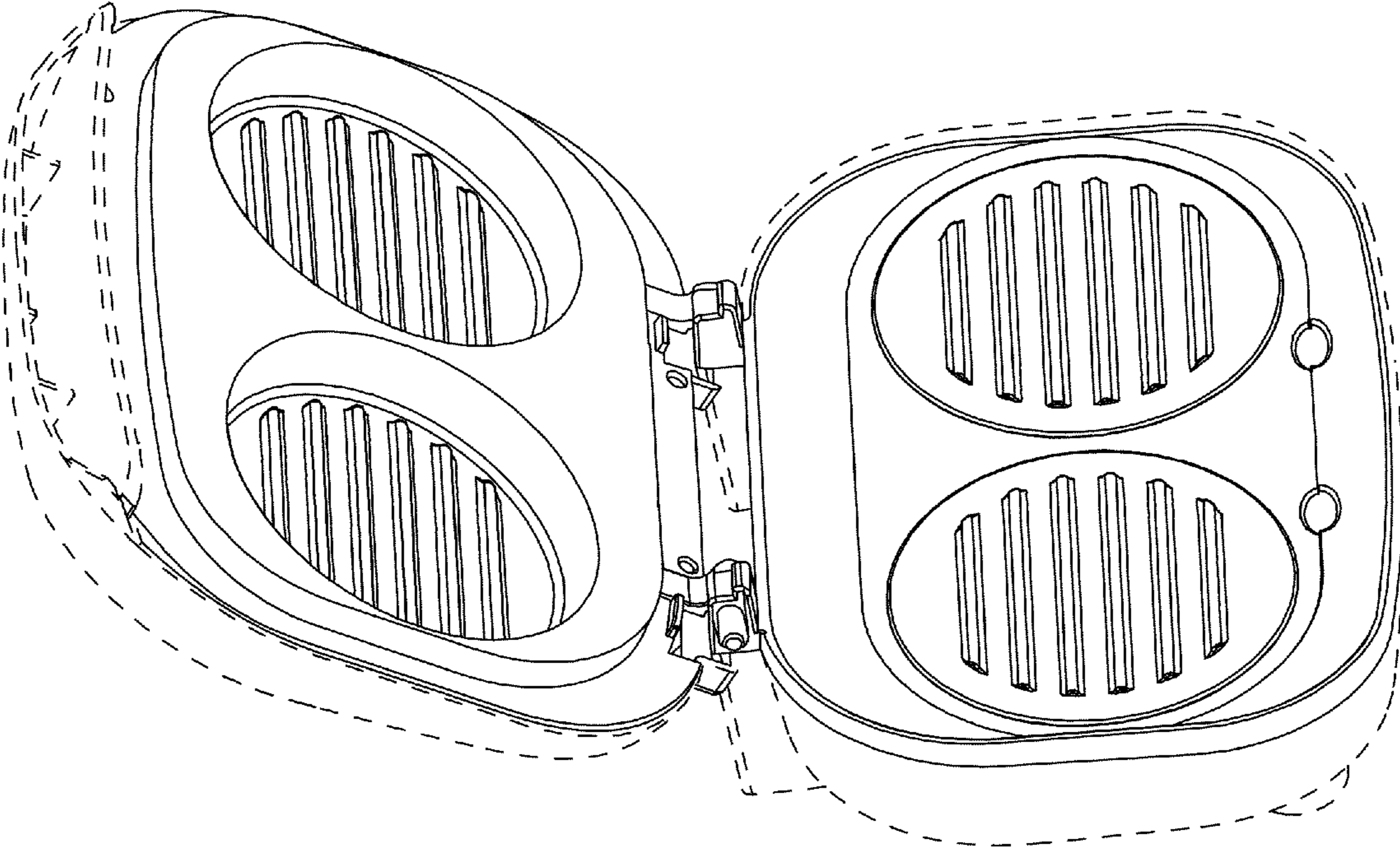


FIG 7