



US00D679134S

(12) **United States Design Patent**
Valera

(10) **Patent No.:** **US D679,134 S**
(45) **Date of Patent:** **** Apr. 2, 2013**

(54) **PLATE APPARATUS FOR CAKE MAKING
DEVICE**

(76) Inventor: **Diego Valera**, Miami, FL (US)

(**) Term: **14 Years**

(21) Appl. No.: **29/420,181**

(22) Filed: **May 4, 2012**

(51) **LOC (9) Cl.** **07-02**

(52) **U.S. Cl.** **D7/409; D7/352; D7/357; D7/362**

(58) **Field of Classification Search** D7/323,
D7/329-331, 337, 339, 346-347, 350.1-350.4,
D7/352-367, 391, 393, 395, 402, 409-410,
D7/538, 542, 672-674; 99/324-325, 331-332,
99/337-349, 358, 369-376, 380, 389, 400-418,
99/422, 425, 444-446, 483; 126/37 R, 261,
126/378.1; 206/501-505, 507-508; 219/386,
219/400, 405, 429-442, 450.1, 452.13, 620-624,
219/725, 730-735; 220/23.8, 315, 573.1-573.5,
220/912; 425/289, 298-300; 426/438, 441,
426/549

See application file for complete search history.

(56) **References Cited**

U.S. PATENT DOCUMENTS

912,006 A * 2/1909 Lindberg 425/298
2,780,181 A * 2/1957 Roman et al. 425/299
3,696,734 A * 10/1972 Beasley et al. 99/331
3,948,159 A * 4/1976 Vigerstrom 99/358

D391,124 S * 2/1998 Cote D7/672
6,429,409 B1 * 8/2002 Siu 219/450.1
6,860,191 B2 * 3/2005 Jackson et al. 99/340
D532,642 S * 11/2006 Wilgus D7/337
7,316,555 B2 * 1/2008 Hubener 425/300
D589,294 S * 3/2009 Averty D7/356
D657,609 S * 4/2012 Lavy et al. D7/352
D668,906 S * 10/2012 Lavy et al. D7/352
2006/0272511 A1 * 12/2006 Dreimann et al. 99/372

* cited by examiner

Primary Examiner — Ricky Pham

(74) *Attorney, Agent, or Firm* — Mark Terry

(57) **CLAIM**

The ornamental design for a plate apparatus for a cake making device, as shown and described.

DESCRIPTION

FIG. 1 is a top view of the plate apparatus for a cake making device, showing the new design.

FIG. 2 is a left side view thereof;

FIG. 3 is a right side view thereof;

FIG. 4 is a rear view thereof;

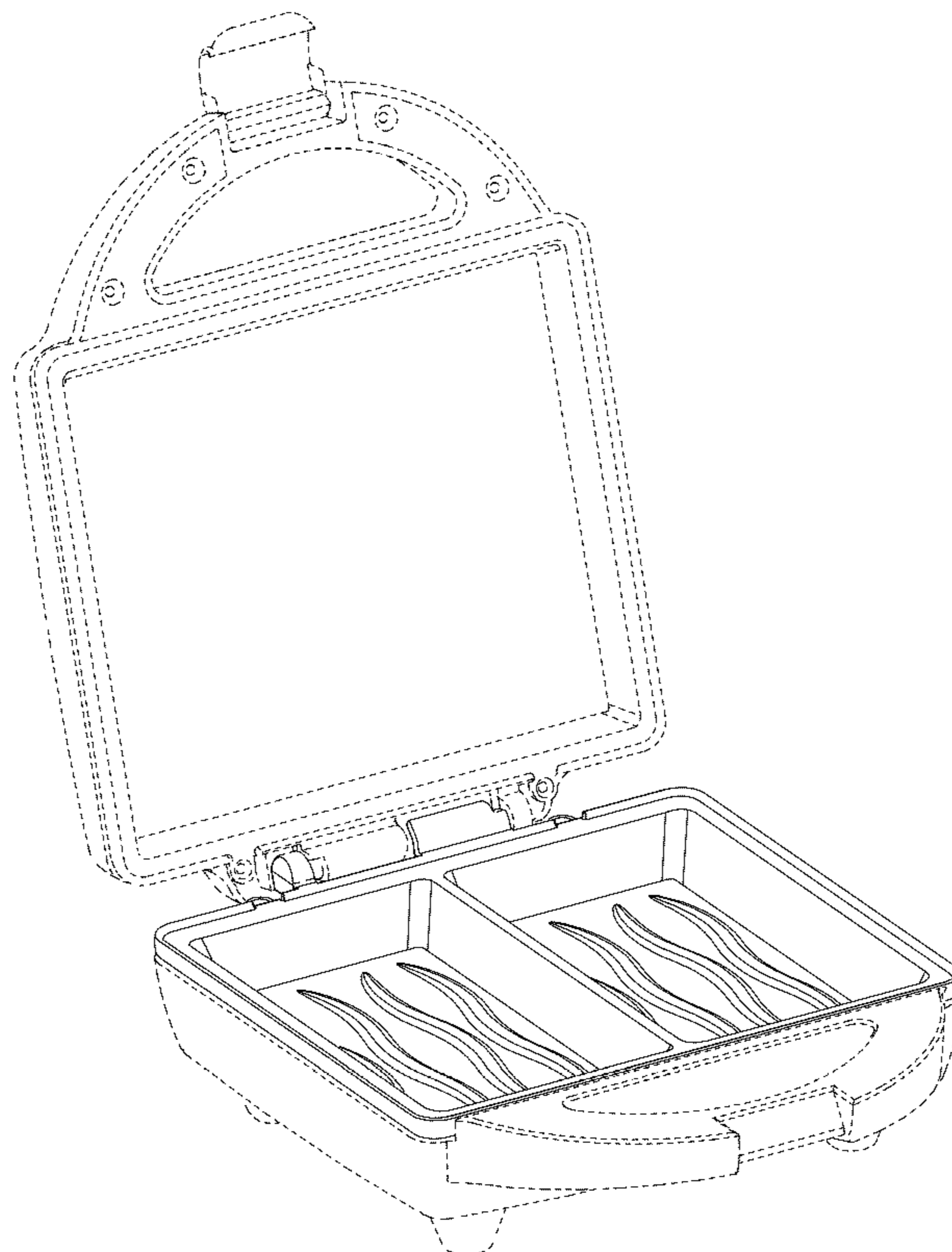
FIG. 5 is a front view thereof;

FIG. 6 is a top perspective view of the plate apparatus used in a cake making device, showing the new design; and,

FIG. 7 is a side perspective view of the plate apparatus used in a cake making device, showing the new design.

The broken lines shown in the drawings are for illustrative purposes only and form no part of the claimed design.

1 Claim, 4 Drawing Sheets



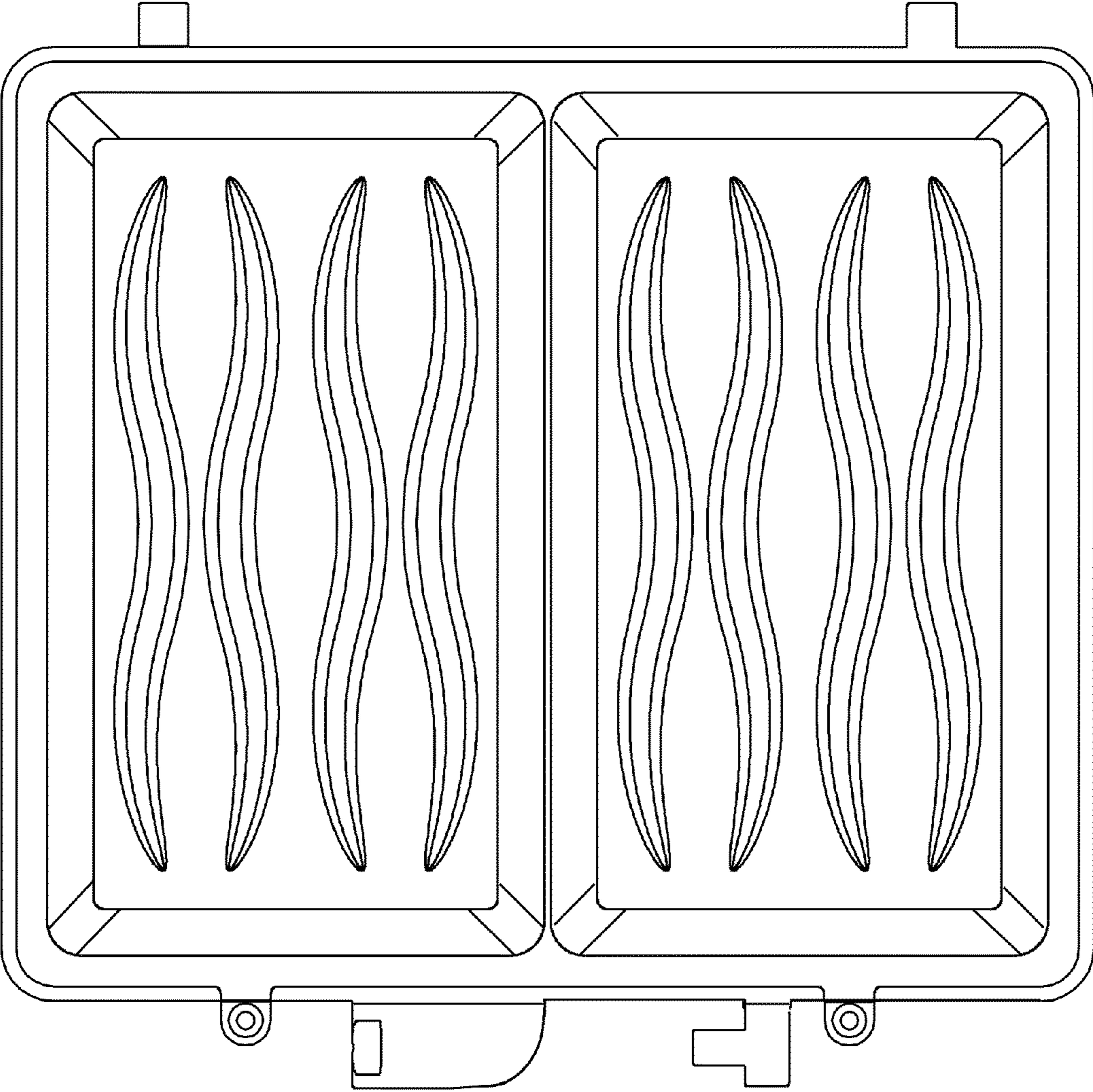


FIG 1

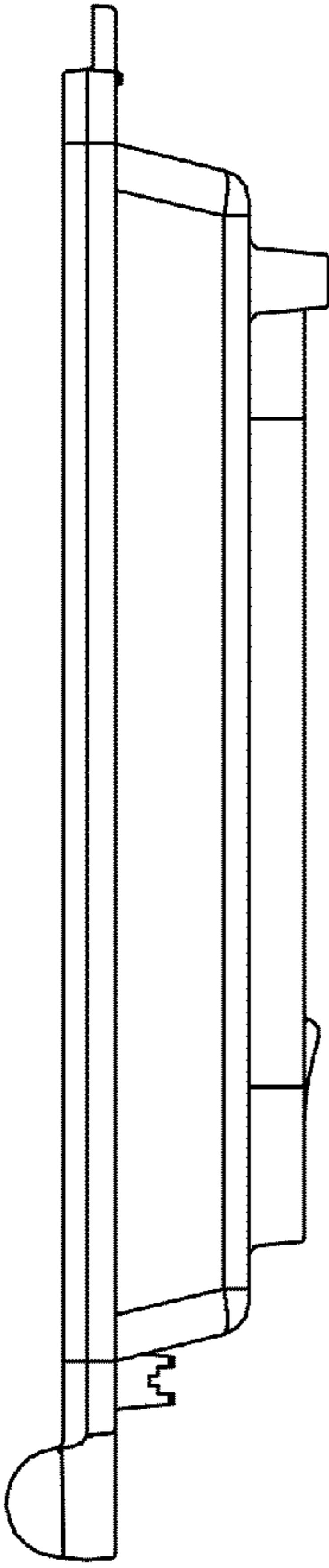


FIG 2

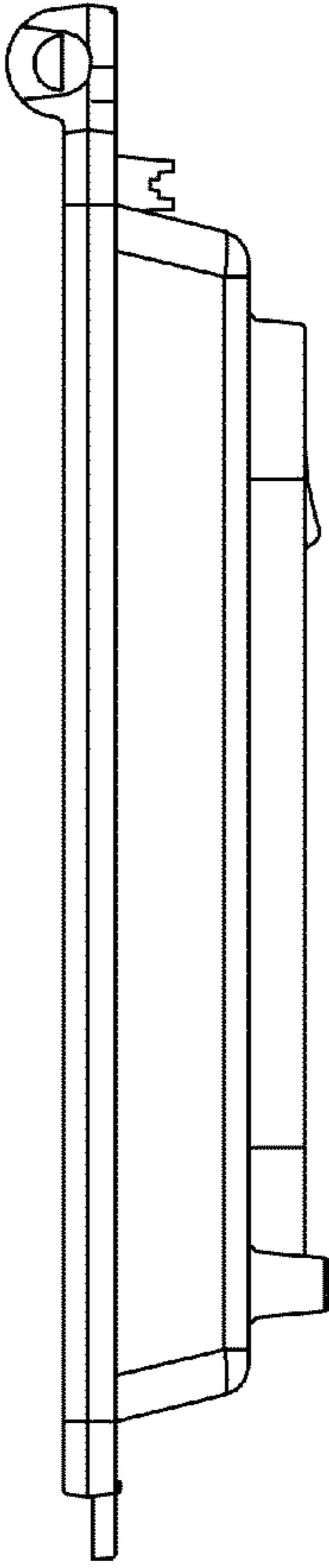


FIG 3

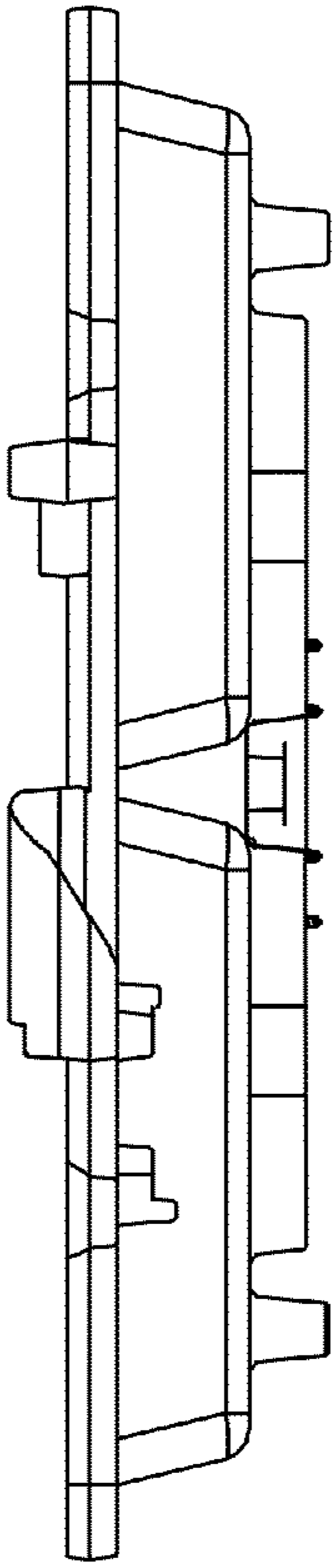


FIG 4

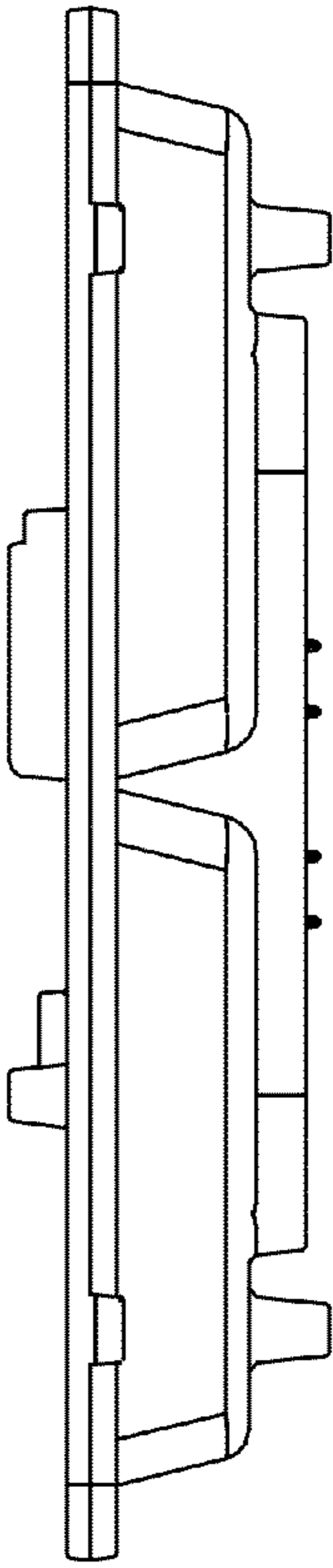


FIG 5

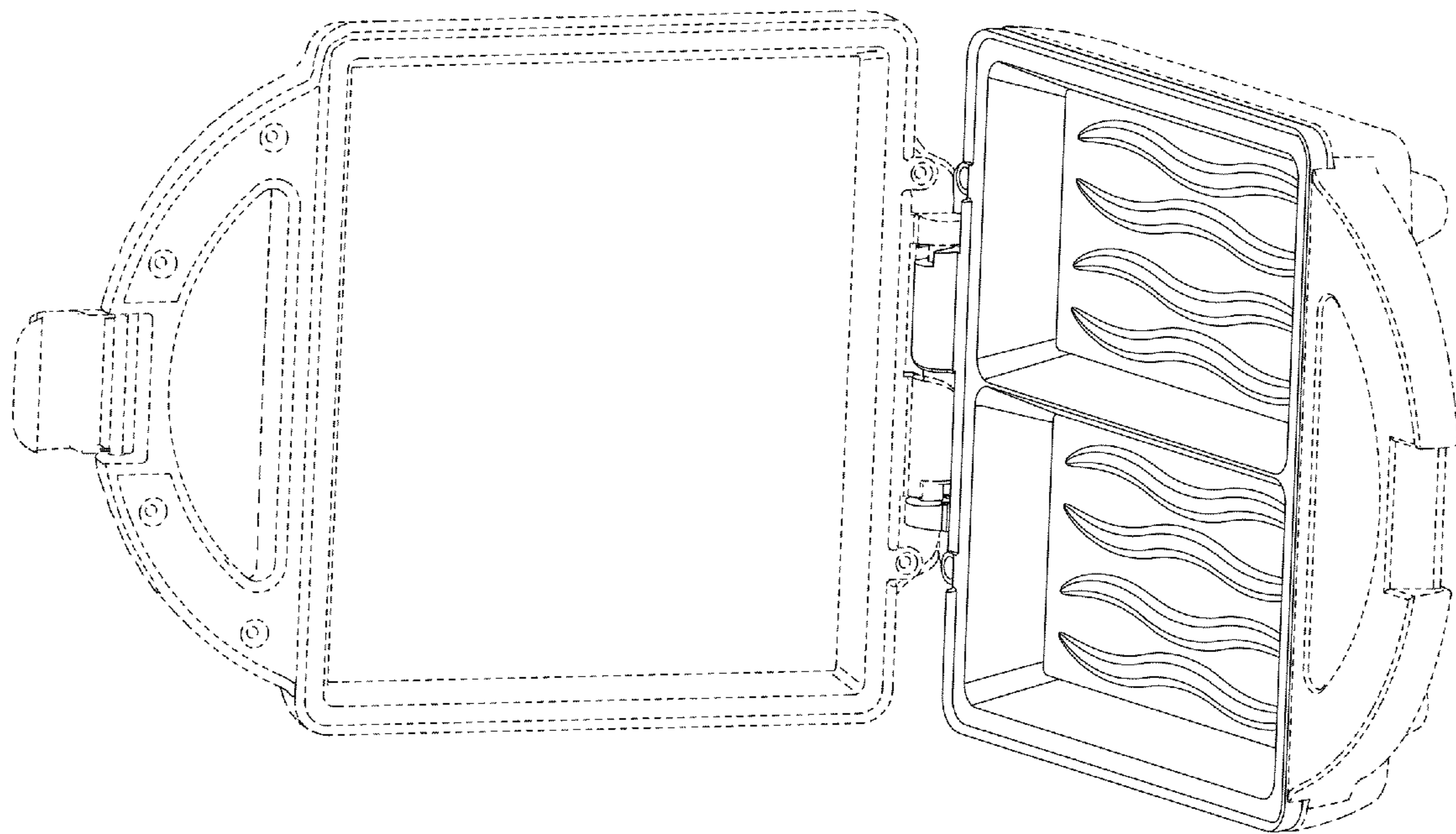


FIG 6

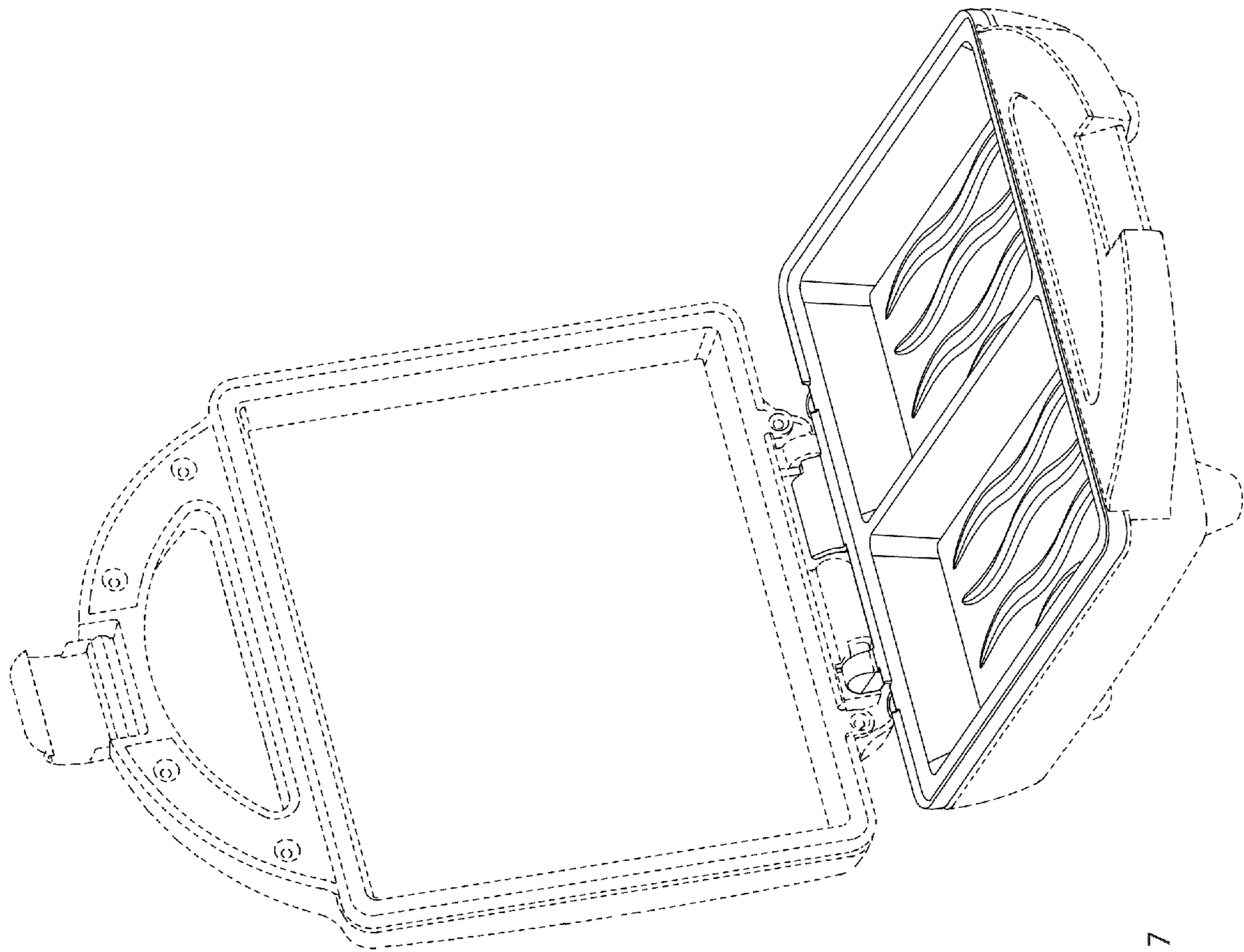


FIG 7