



US00D679133S

(12) **United States Design Patent**
Borovicka et al.

(10) **Patent No.:** **US D679,133 S**

(45) **Date of Patent:** **** Apr. 2, 2013**

(54) **BARBECUE SMOKER BOX**

(75) Inventors: **Cory Thomas Borovicka**, Oakland, CA
(US); **Charles Adams**, Berkeley, CA
(US)

(73) Assignee: **Charcoal Companion Incorporated**,
Emeryville, CA (US)

(**) Term: **14 Years**

(21) Appl. No.: **29/406,351**

(22) Filed: **Nov. 11, 2011**

(51) **LOC (9) Cl.** **07-02**

(52) **U.S. Cl.** **D7/402**

(58) **Field of Classification Search** D7/332,
D7/334, 337, 402–404, 408–409, 362–363,
D7/365, 367, 354–355, 359; 126/27, 44,
126/25 R, 41 R, 9 R, 40, 50, 38, 39 H, 39 N,
126/39 K, 39 M, 39 R; 99/425, 444–44,
99/450, 482; 431/247, 207, 264

See application file for complete search history.

(56) **References Cited**

U.S. PATENT DOCUMENTS

3,081,692	A *	3/1963	Sorensen	99/482
D262,595	S *	1/1982	Martenson	D7/337
4,471,749	A *	9/1984	Galdes	126/9 R
D289,964	S *	5/1987	Osborne	D7/337
D323,599	S *	2/1992	Griffard	D7/408
D333,588	S *	3/1993	Bergman	D7/332
D339,264	S *	9/1993	Lee	D7/359
5,400,703	A *	3/1995	Ashcom et al.	99/446
D363,191	S *	10/1995	Gibson	D7/402
D375,020	S *	10/1996	Cothorn	D7/402
D389,015	S *	1/1998	Karroll	D7/409
5,865,105	A *	2/1999	Pepelanov	99/446
D417,124	S *	11/1999	Chen	D7/409
D534,034	S *	12/2006	Chambers	D7/402
D559,621	S *	1/2008	Raichlen et al.	D7/409
D585,702	S *	2/2009	Borovicka et al.	D7/409
D588,399	S *	3/2009	Vrbaneck	D7/359
D613,117	S *	4/2010	Richburg	D7/409
D639,112	S *	6/2011	Johnston	D7/408
D647,759	S *	11/2011	Johnson	D7/409

D648,175	S *	11/2011	Zemel	D7/409
D649,399	S *	11/2011	Johnson	D7/409
D650,632	S *	12/2011	Zemel	D7/409
D651,457	S *	1/2012	Borovicka et al.	D7/402
D668,506	S *	10/2012	Zemel	D7/409
2002/0023548	A1 *	2/2002	Almeida	99/450
2002/0166460	A1 *	11/2002	O'Shea	99/482
2004/0025714	A1 *	2/2004	Neal et al.	99/482
2008/0257174	A1 *	10/2008	Turner	99/516
2009/0308264	A1 *	12/2009	Estess et al.	99/482
2010/0218691	A1 *	9/2010	Adams et al.	99/482

* cited by examiner

Primary Examiner — Ruth McInroy

(74) *Attorney, Agent, or Firm* — Beeson Skinner Beverly, LLP

(57) **CLAIM**

The ornamental design for a barbecue smoker box, as shown and described.

DESCRIPTION

FIG. 1 is a top perspective view of a barbecue smoker box showing our new design showing the drawer of the barbecue smoker box in a closed position;

FIG. 2 is a top perspective view thereof showing the drawer of the barbecue smoker box in an open position;

FIG. 3 is an exploded top perspective view thereof separately showing the base, removable top grate, and removable drawer of the barbecue smoker box;

FIG. 4 is a top plan view of FIG. 1;

FIG. 5 is a front elevational view of FIG. 1;

FIG. 6 is a right side elevational view of FIG. 1, the left side being a mirror image;

FIG. 7 is a rear elevational view of FIG. 1;

FIG. 8 is a bottom plan view of FIG. 1;

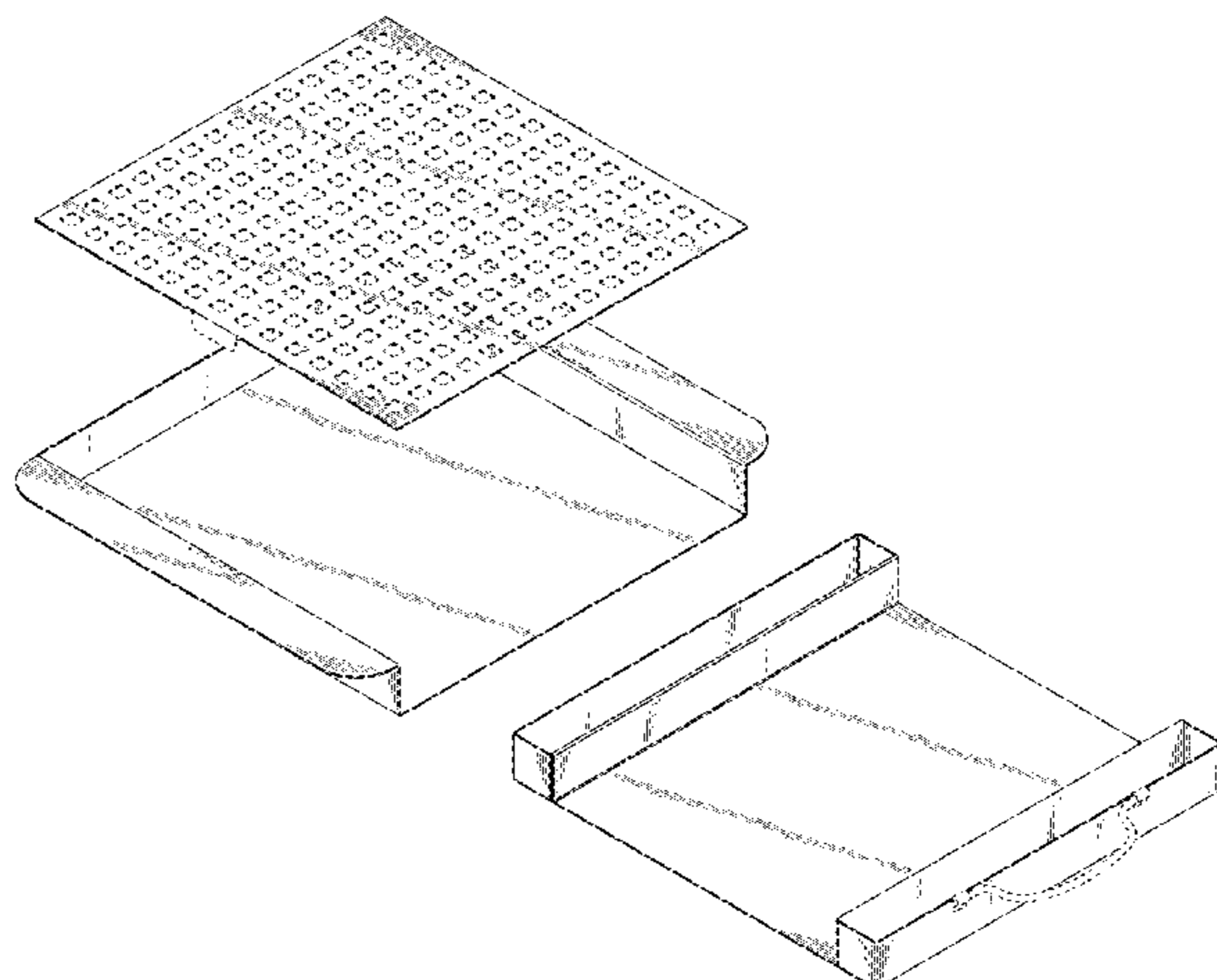
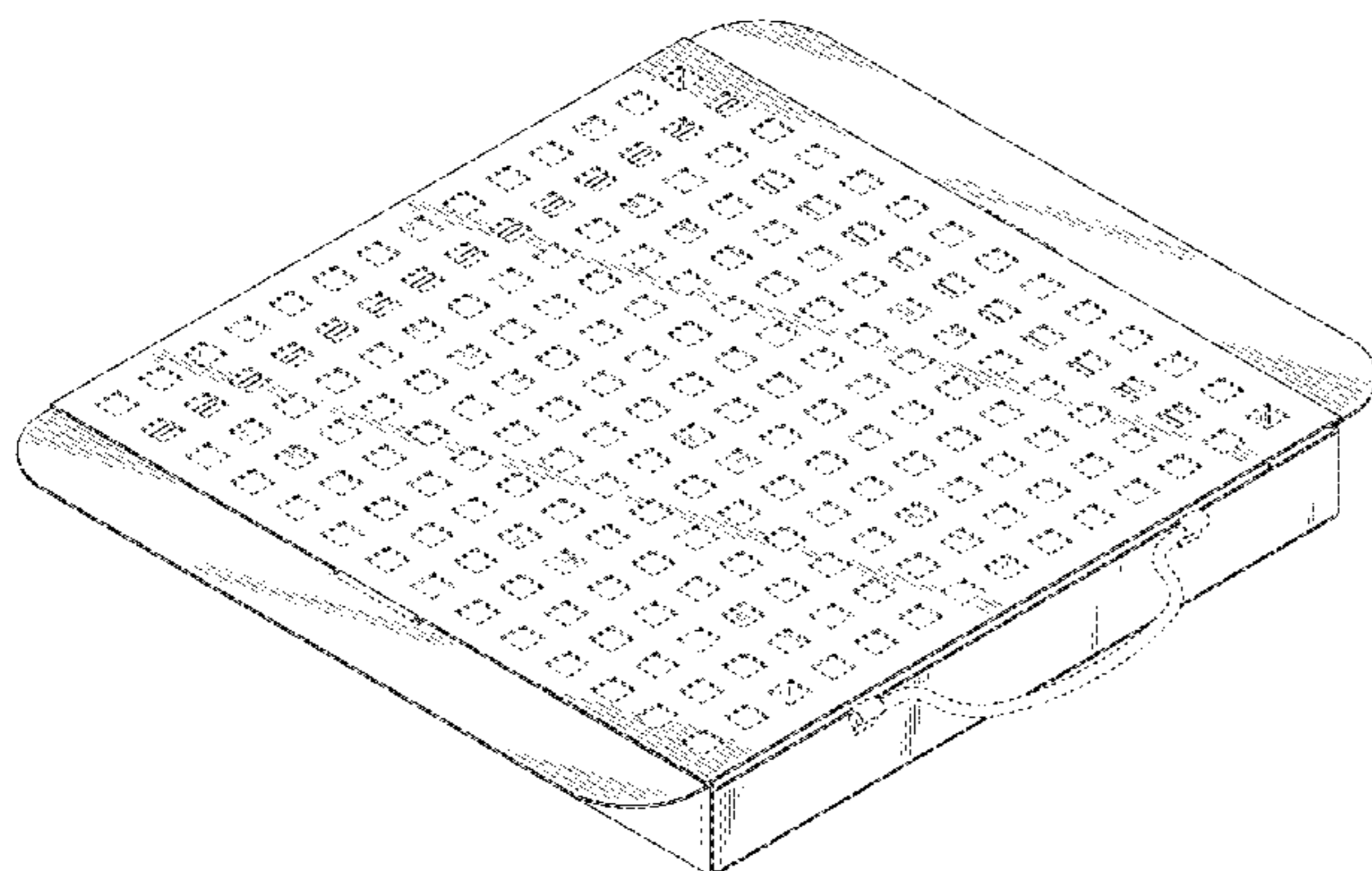
FIG. 9 is a top plan view of the drawer of the barbecue smoker box in FIG. 3;

FIG. 10 is a front elevational view of FIG. 9; and,

FIG. 11 is a right side elevational view of FIG. 9, the left side being a mirror image.

The details shown in broken lines form no part of the claimed design.

1 Claim, 6 Drawing Sheets



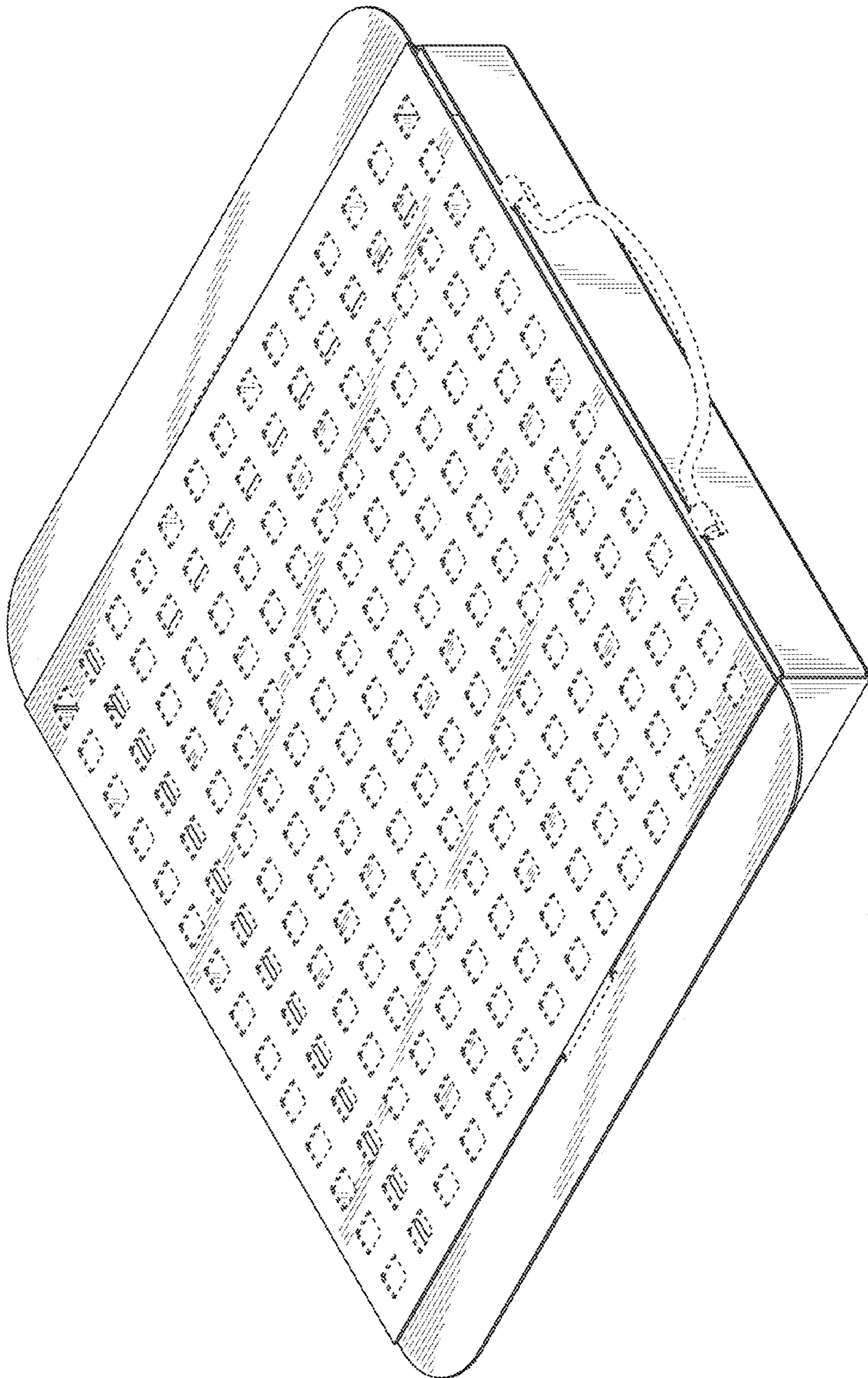


FIG. 1

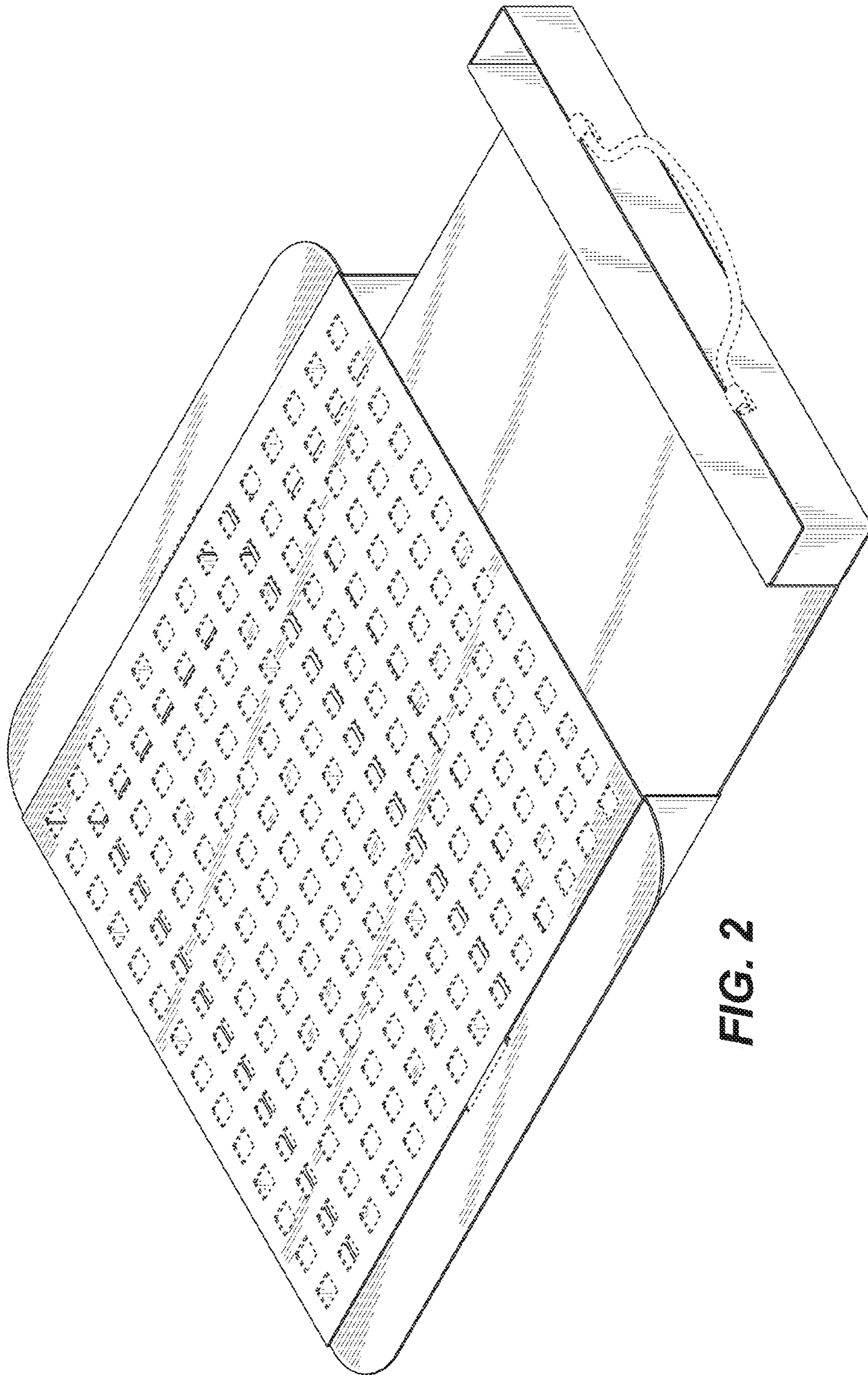
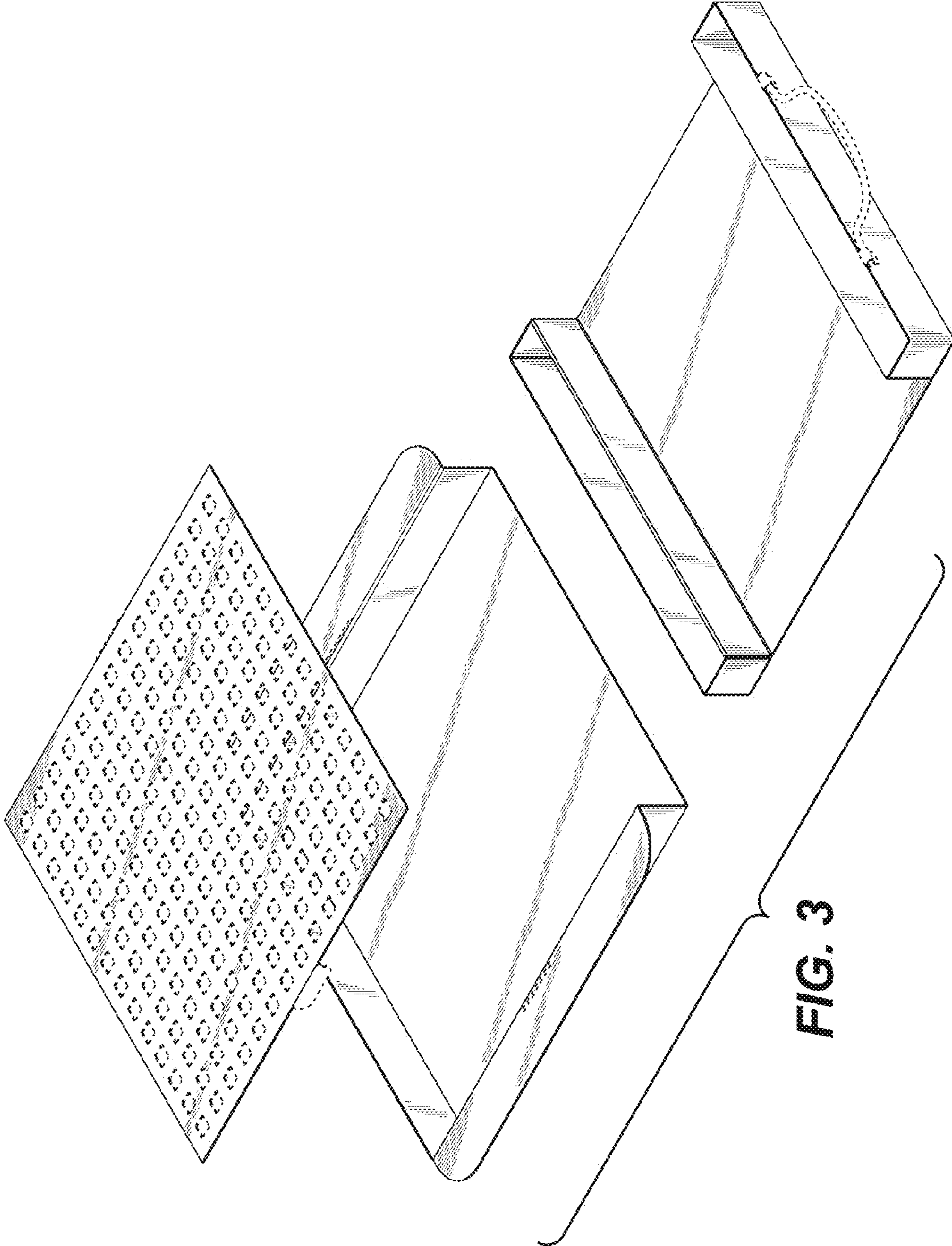


FIG. 2



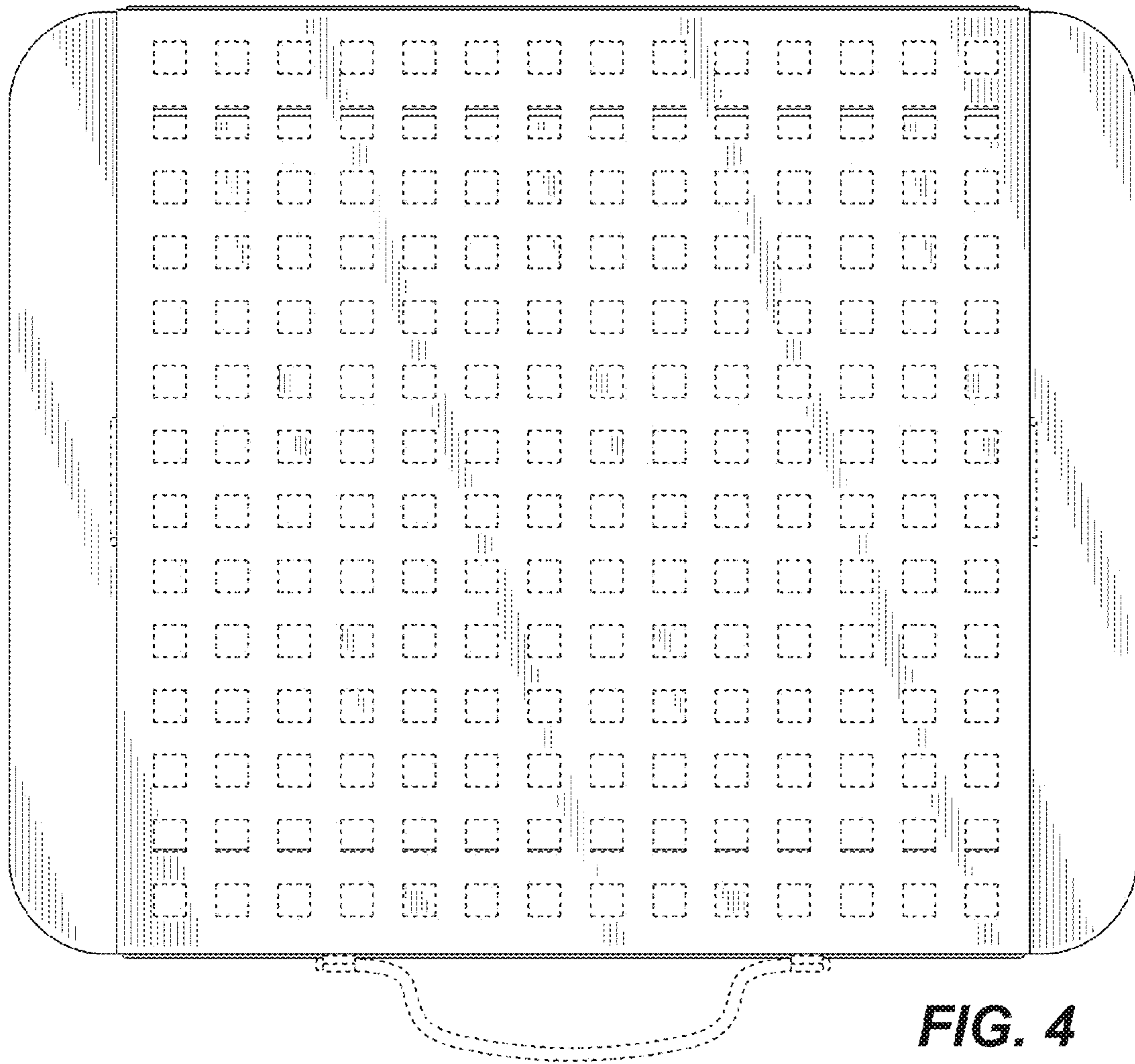


FIG. 4

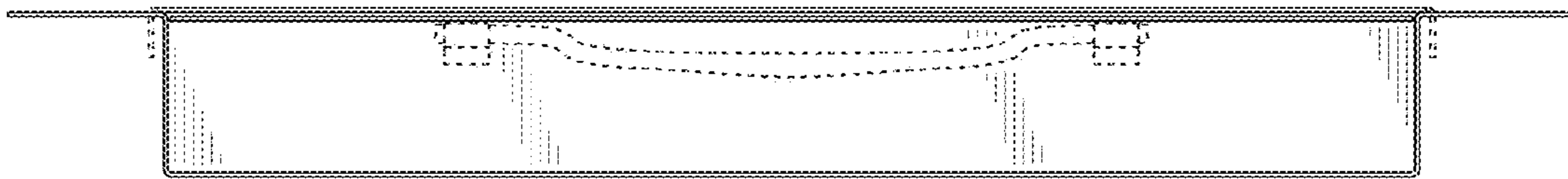


FIG. 5

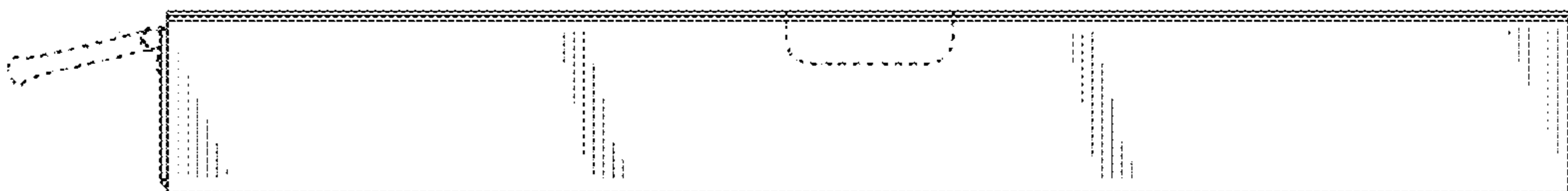
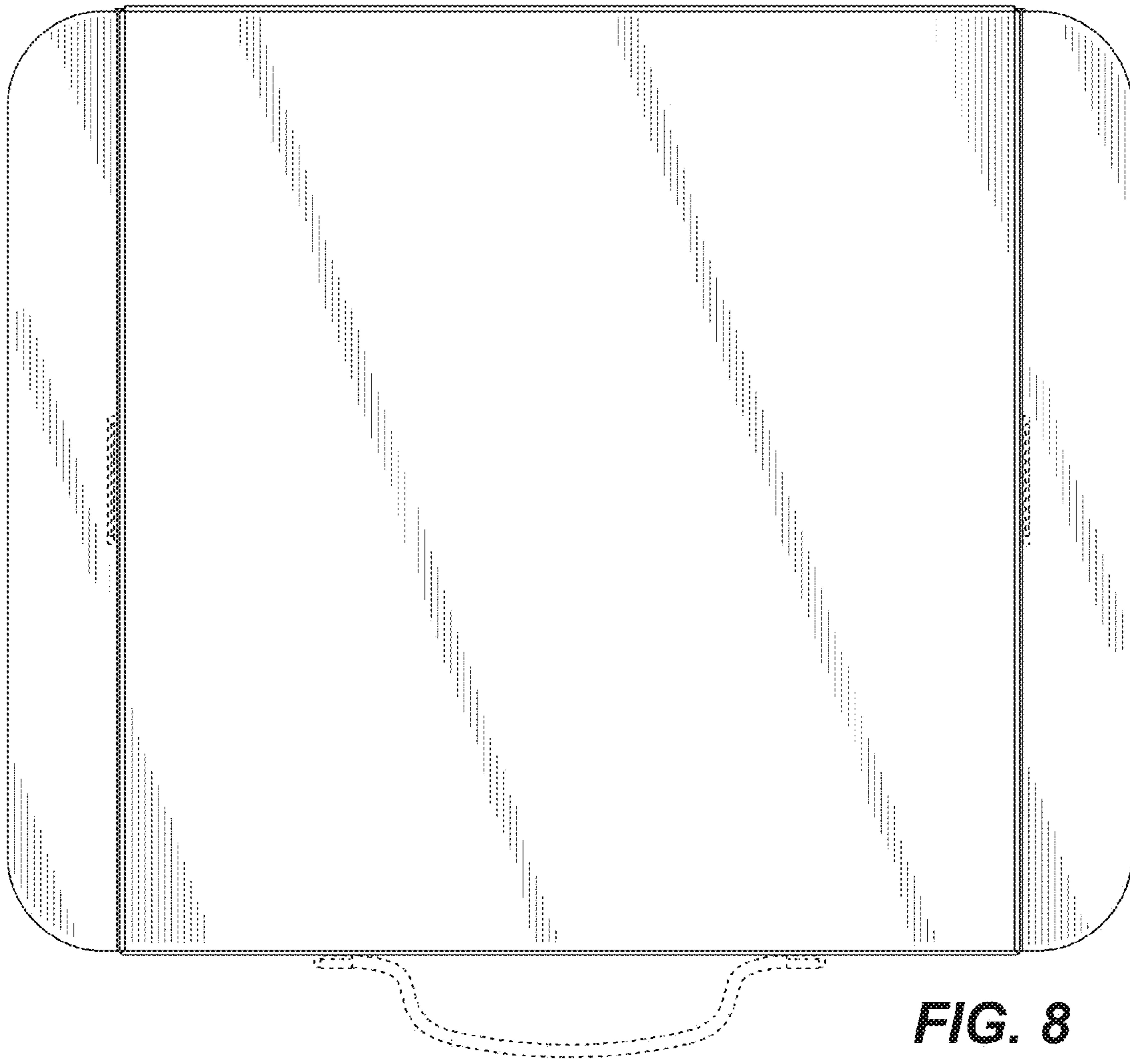


FIG. 6



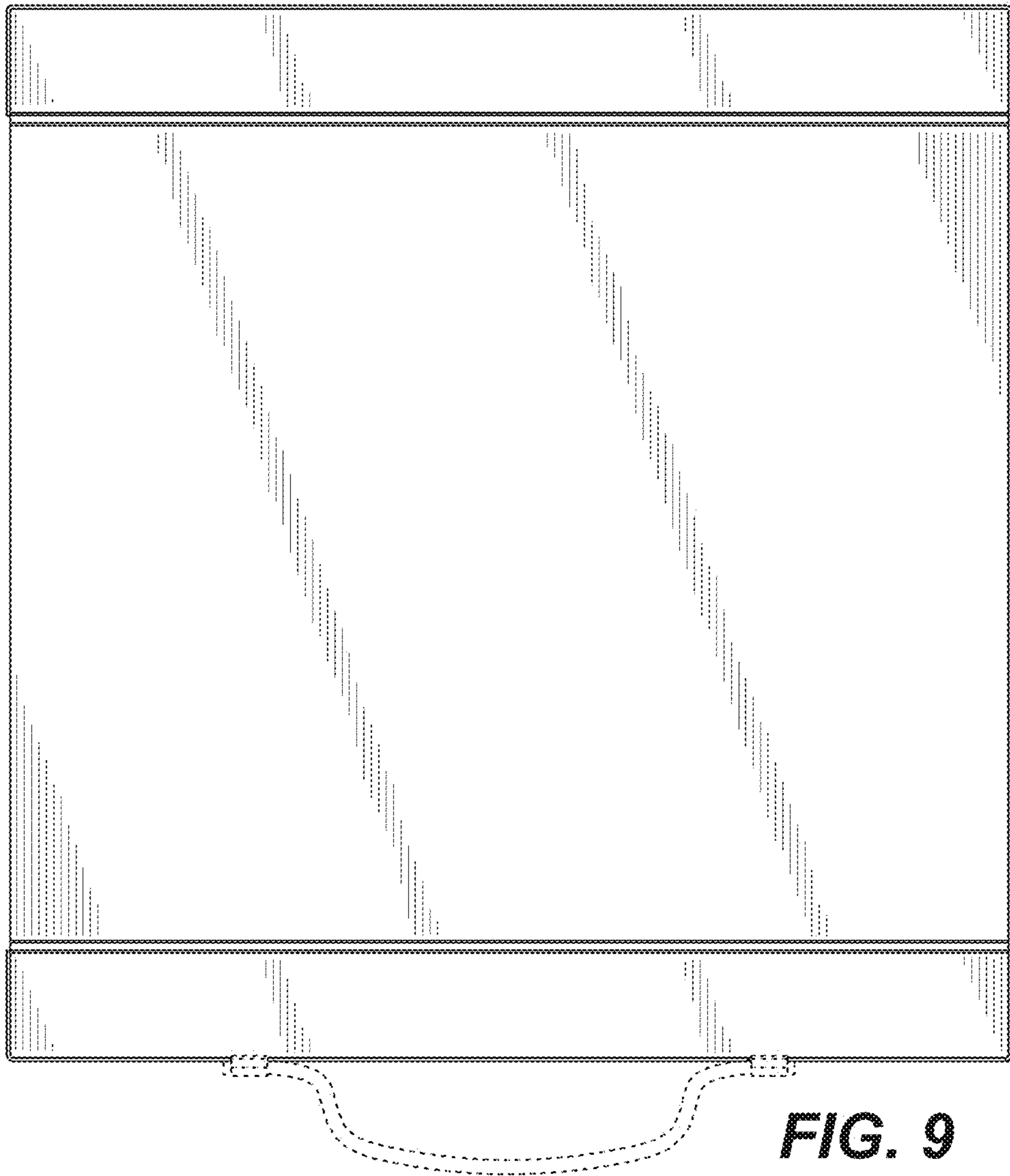


FIG. 9

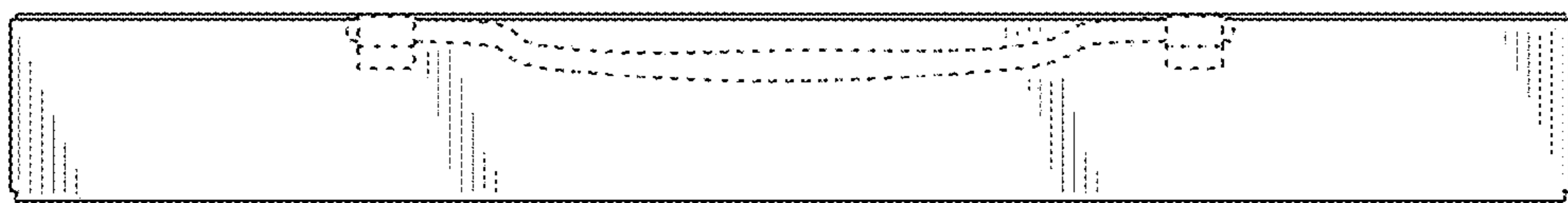


FIG. 10



FIG. 11