



US00D679131S

(12) **United States Design Patent**
Perez

(10) **Patent No.:** **US D679,131 S**

(45) **Date of Patent:** **** Apr. 2, 2013**

(54) **MANUAL COFFEE DISPENSER**

(76) Inventor: **Maribel M. Perez**, Cutler Bay, FL (US)

(**) Term: **14 Years**

(21) Appl. No.: **29/425,796**

(22) Filed: **Jun. 27, 2012**

(51) **LOC (9) Cl.** **31-00**

(52) **U.S. Cl.** **D7/373; D7/372**

(58) **Field of Classification Search** D7/301-313,
D7/316-319, 356-357, 368, 372-386, 391-398,
D7/412-415, 503-515, 532, 665, 679, 691-693;
D9/500-502; 99/326, 348, 492, 508-512;
241/30-37.5, 101.01-101.2, 166-169.1,
241/172, 272, 285.1-285.3, 291, 292.1; 366/64-67,
366/98, 129, 142-144, 192-211, 241-254,
366/262, 279-292, 325.8, 325.92, 341-347;
416/75-77, 70 R, 163

See application file for complete search history.

(56) **References Cited**

U.S. PATENT DOCUMENTS

D65,527 S *	9/1924	Graham	D7/532
D67,738 S *	7/1925	Bell	D7/532
D108,957 S *	3/1938	Kelly	D7/532
D118,650 S *	1/1940	Sawer	D7/532
D121,573 S *	7/1940	Lundy	D7/532
D242,416 S *	11/1976	Achenbach	D7/532

D455,324 S *	4/2002	Wright	D7/679
D475,891 S *	6/2003	Bin	D7/510
D486,695 S *	2/2004	Chuang	D7/532
D511,459 S *	11/2005	Riot	D9/502
D522,864 S *	6/2006	Westphal	D9/500
D556,513 S *	12/2007	Yelland	D7/532
D572,082 S *	7/2008	Kortleven	D7/510

* cited by examiner

Primary Examiner — Ricky Pham

(74) *Attorney, Agent, or Firm* — Albert Bordas, P.A.

(57) **CLAIM**

The ornamental design for a manual coffee dispenser, as shown and described.

DESCRIPTION

FIG. 1 is a top plan view of a manual coffee dispenser;
FIG. 2 is a front elevational view thereof;
FIG. 3 is a bottom view thereof;
FIG. 4 is a right elevational view thereof,
FIG. 5 is a rear elevational view thereof;
FIG. 6 is a left elevational view thereof; and,
FIG. 7 is an isometric view thereof, showing my design.
The broken lines illustrate portions of the design, which form no part of the claimed design.
The claimed manual coffee dispenser is used to dispense coffee into a coffee maker.

1 Claim, 3 Drawing Sheets

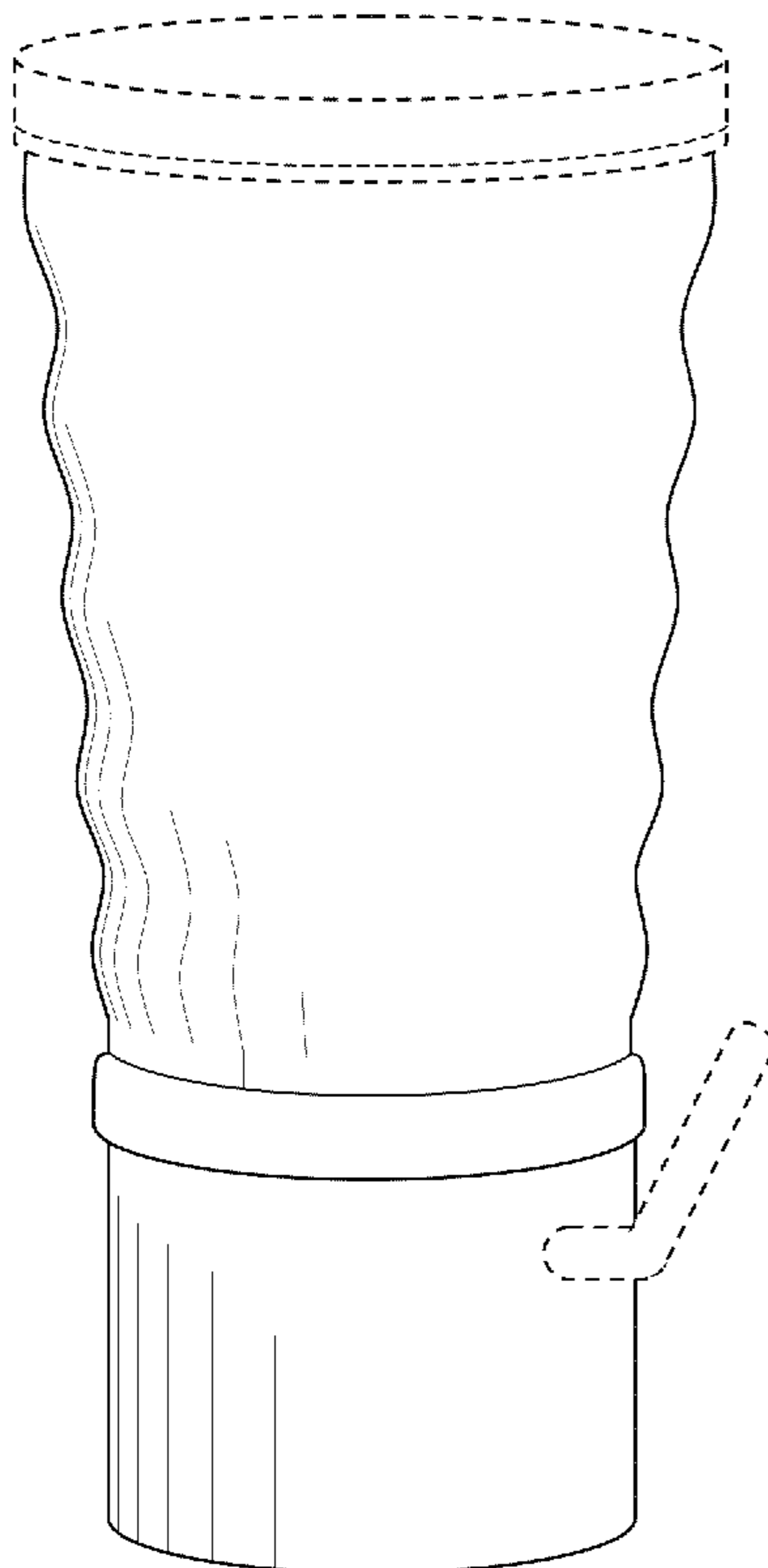


Fig. 1

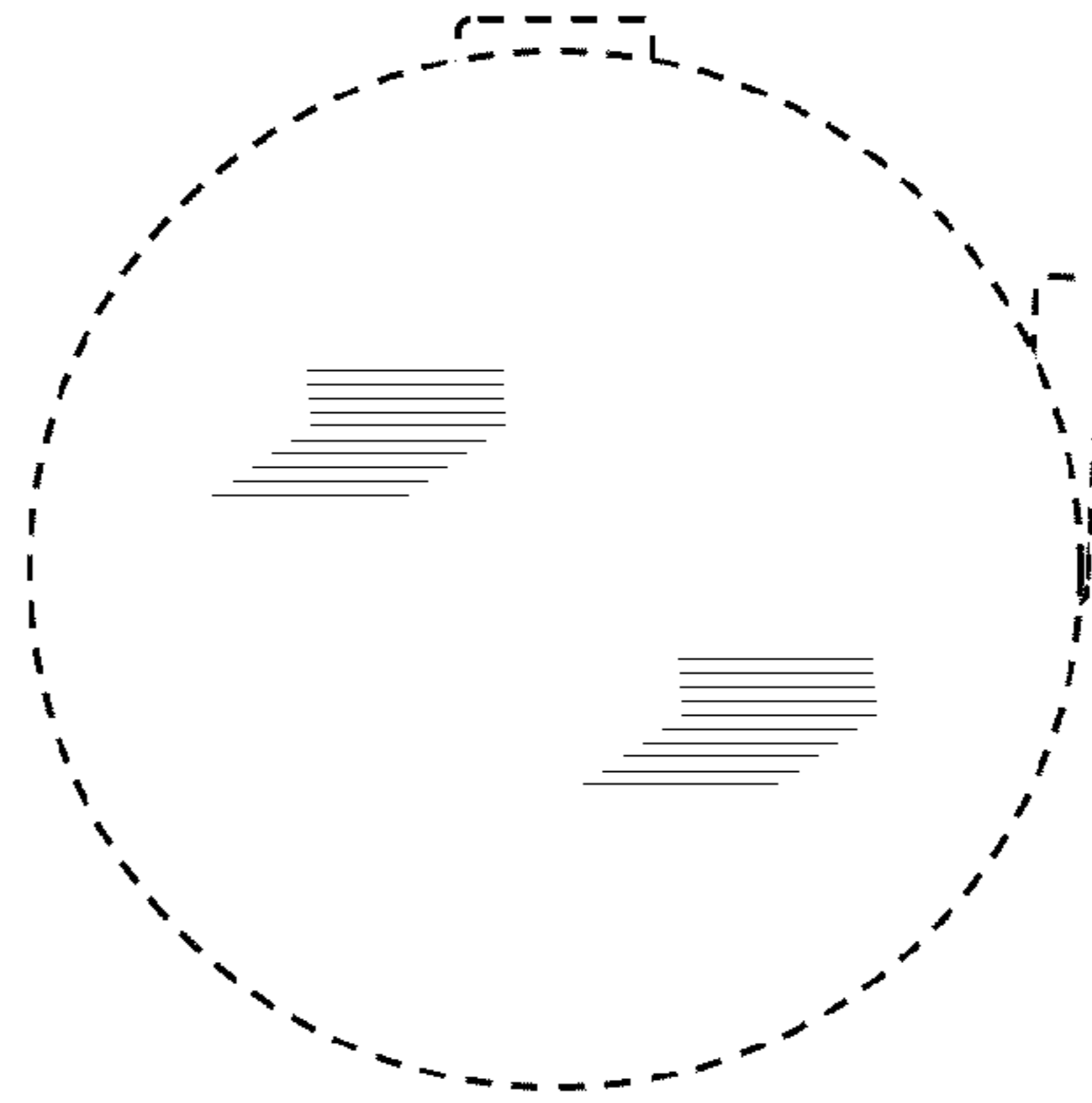


Fig. 2

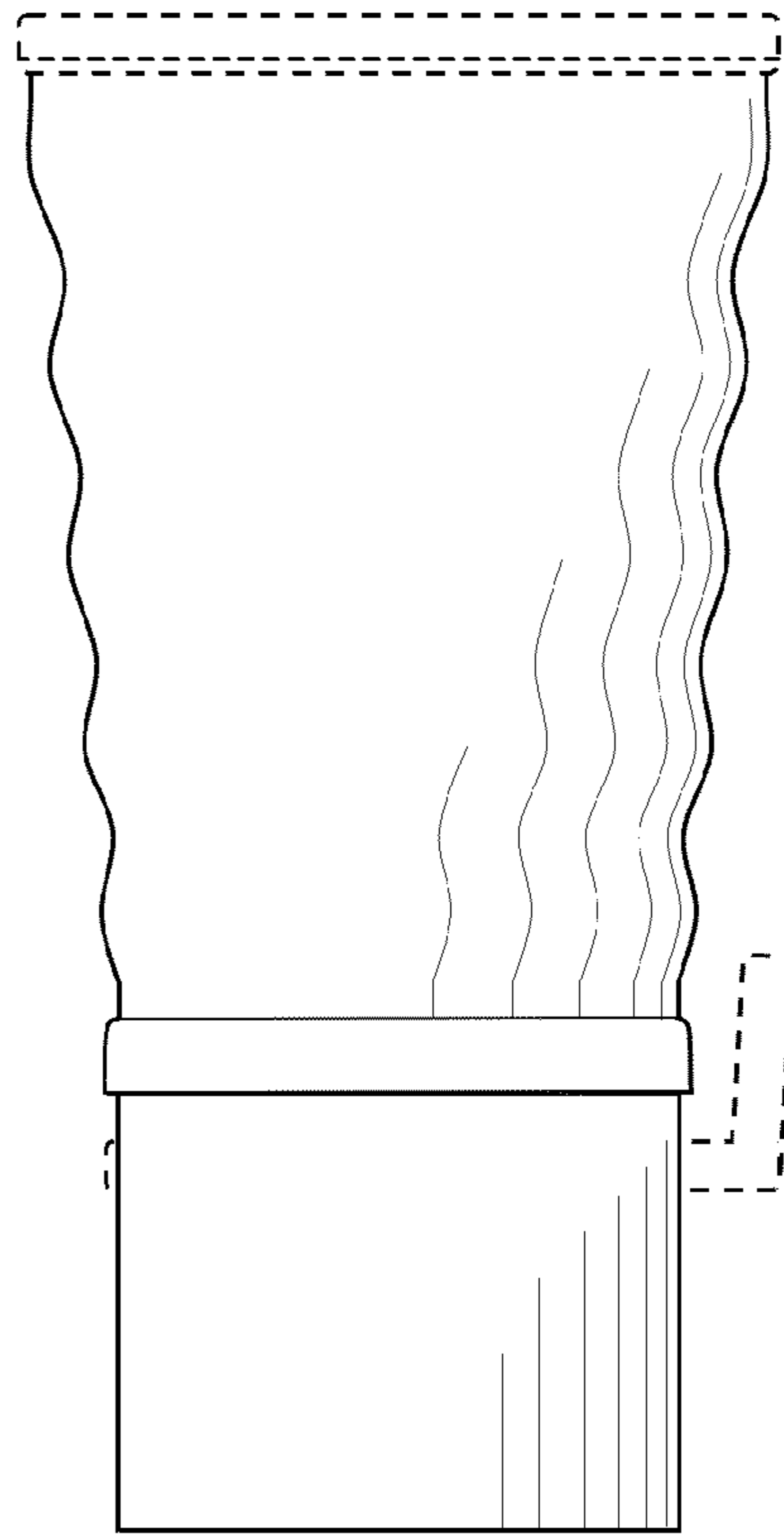
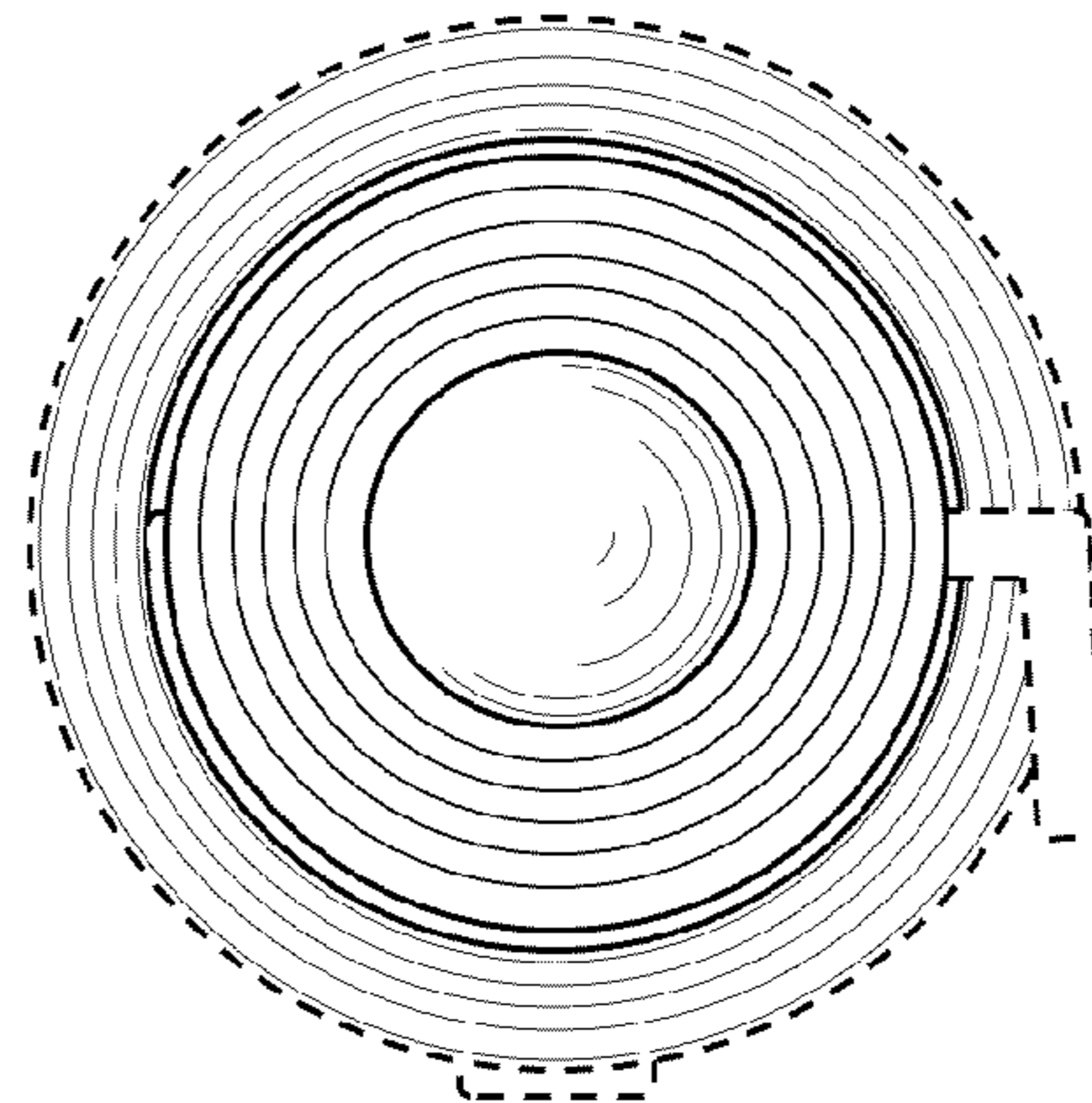


Fig. 3



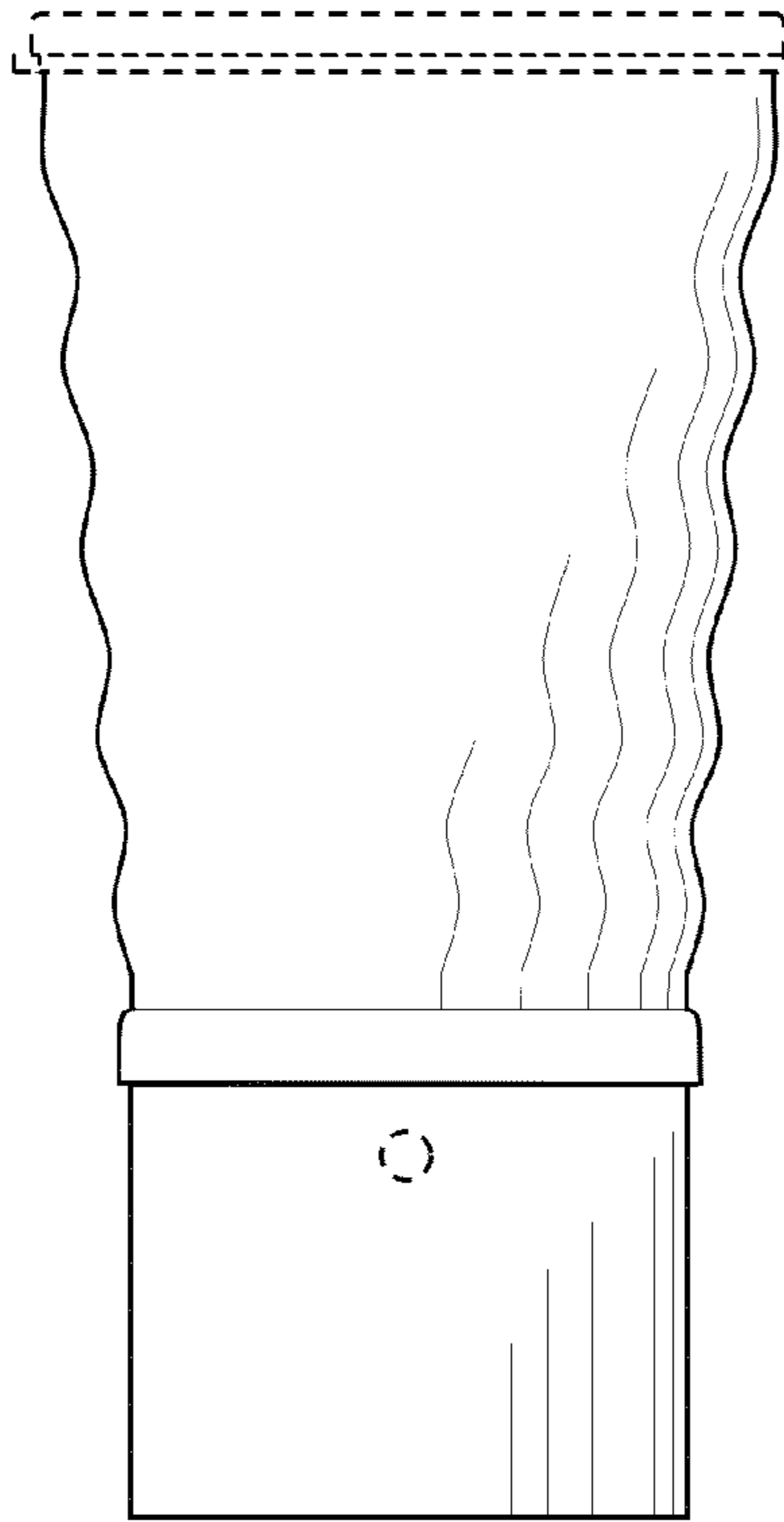


Fig. 4

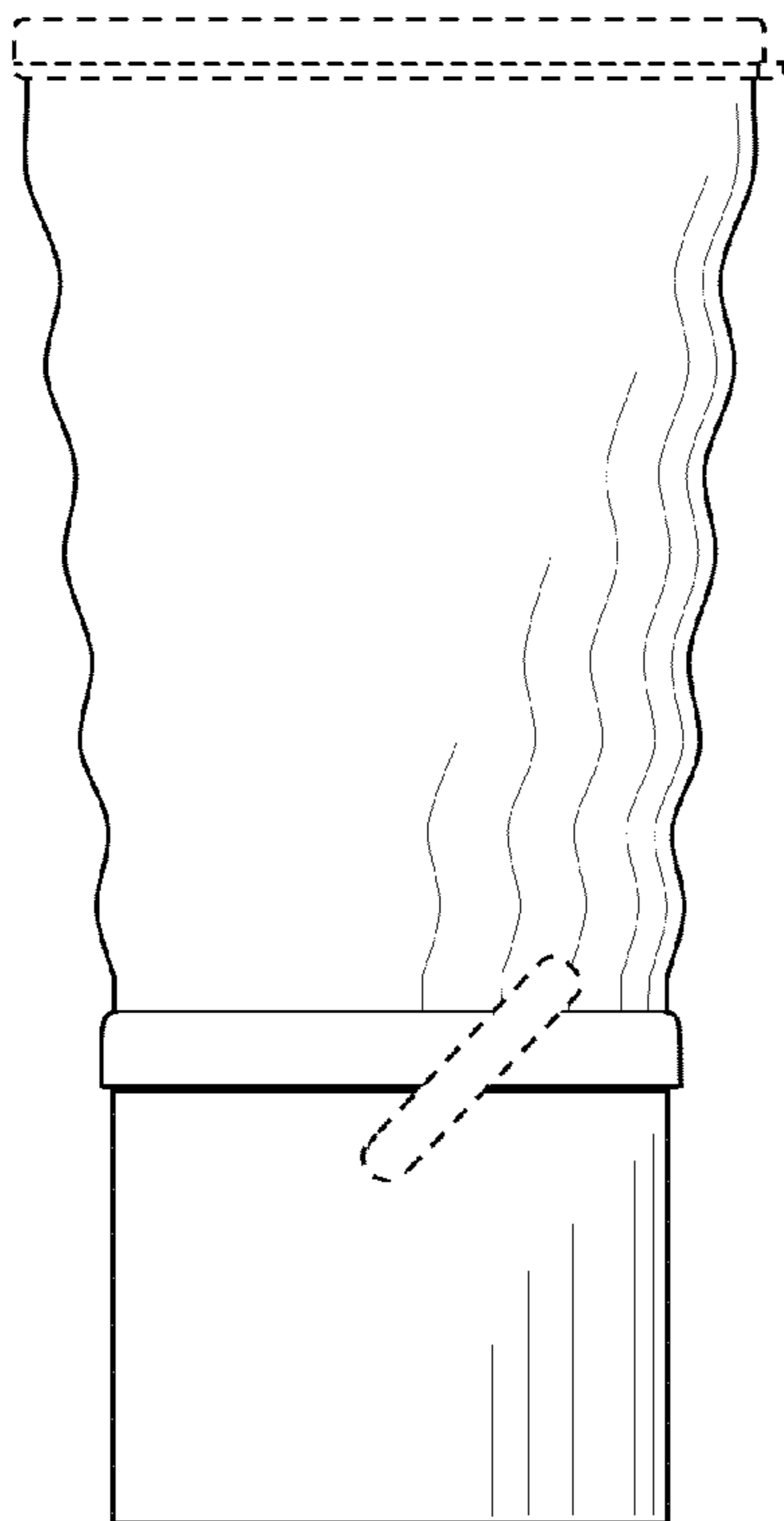


Fig. 6

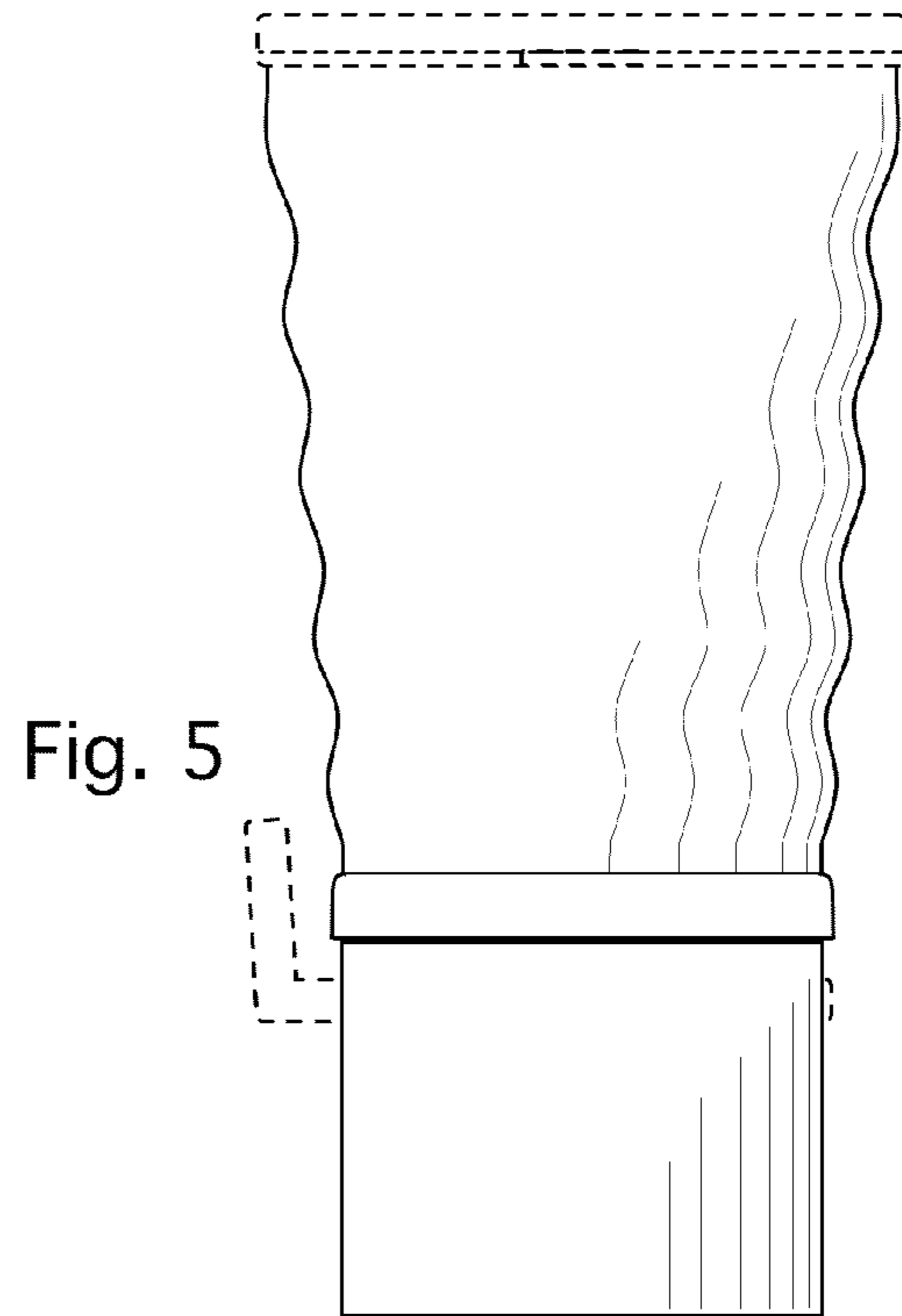


Fig. 5

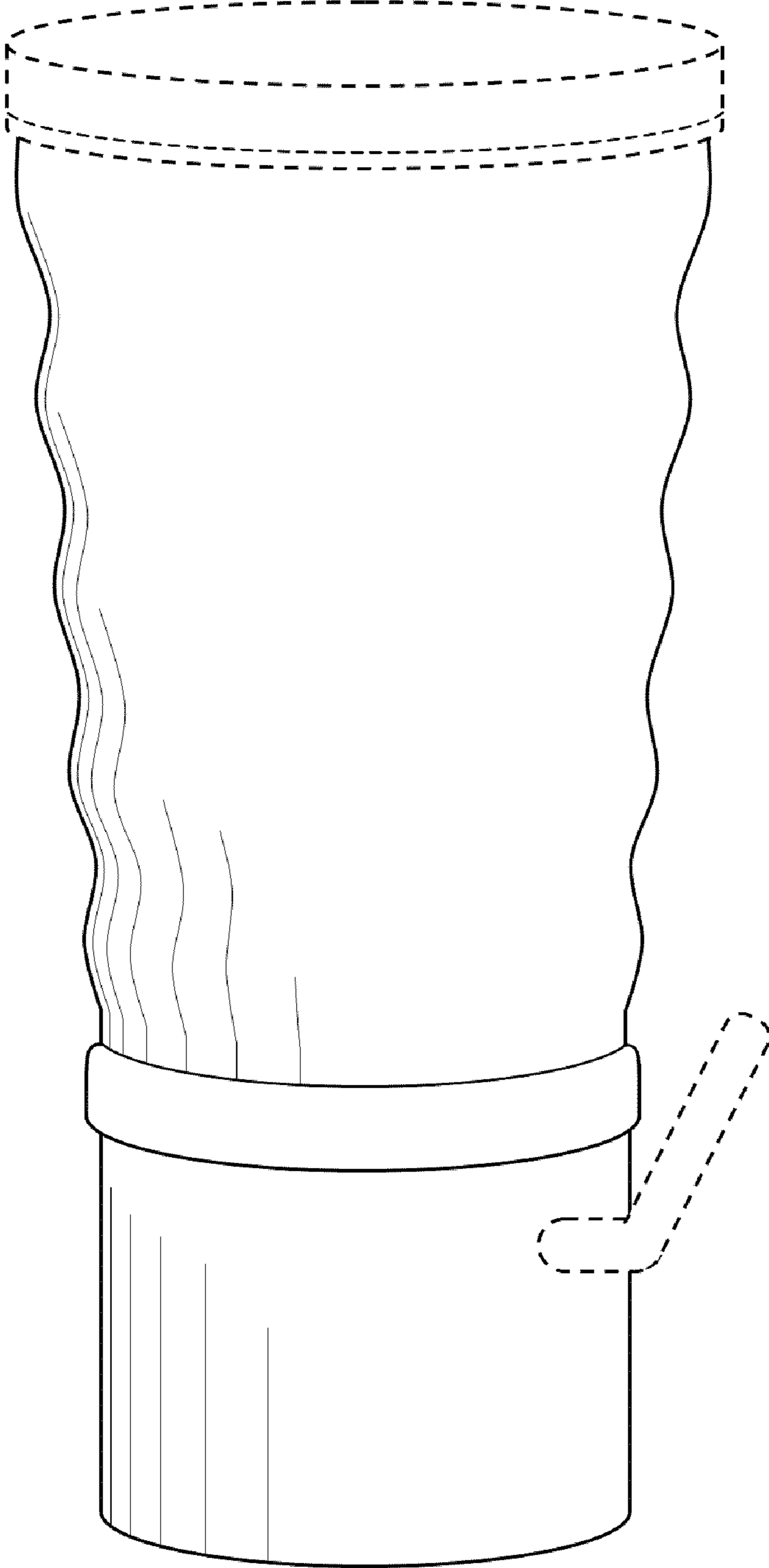


Fig. 7