



US00D679128S

(12) **United States Design Patent**  
**Davis et al.**

(10) **Patent No.:** **US D679,128 S**  
(45) **Date of Patent:** **\*\* Apr. 2, 2013**

(54) **COOKING GRILL**

(75) Inventors: **Mark Edward Davis**, Columbus, GA (US); **Jose Raul Mendez**, Columbus, GA (US)

(73) Assignee: **W.C. Bradley Co.**, Columbus, GA (US)

(\*\*) Term: **14 Years**

(21) Appl. No.: **29/405,209**

(22) Filed: **Oct. 31, 2011**

(51) **LOC (9) Cl.** ..... **07-02**

(52) **U.S. Cl.** ..... **D7/334**

(58) **Field of Classification Search** ..... D7/332, D7/334, 337, 402-406, 409; 126/27, 44, 126/25 R, 41 R, 9 R, 40, 50, 38, 39 H, 39 N, 126/39 K, 39 M, 39 R, 39 J, 39 G, 39 E, 126/285 R, 290, 80, 243, 287; 99/425, 444-446, 99/450, 481, 482, 340; 431/247, 207, 264  
See application file for complete search history.

(56) **References Cited**

**U.S. PATENT DOCUMENTS**

D483,983 S *	12/2003	Harrod et al.	.....	D7/334
D521,308 S *	5/2006	Tseng	.....	D7/334
D546,616 S *	7/2007	Tseng	.....	D7/334
D549,514 S *	8/2007	Chung	.....	D7/334

D571,605 S *	6/2008	Chung	.....	D7/334
D618,034 S *	6/2010	Chung	.....	D7/334
D618,484 S *	6/2010	Tzeng	.....	D7/334
D618,951 S *	7/2010	Tzeng	.....	D7/334
D624,782 S *	10/2010	Chung	.....	D7/334
D654,758 S *	2/2012	Thimm et al.	.....	D7/334

\* cited by examiner

*Primary Examiner* — Ruth McInroy

(74) *Attorney, Agent, or Firm* — Fellers, Snider, Blankenship, Bailey & Tippens, P.C.; David G. Woodral

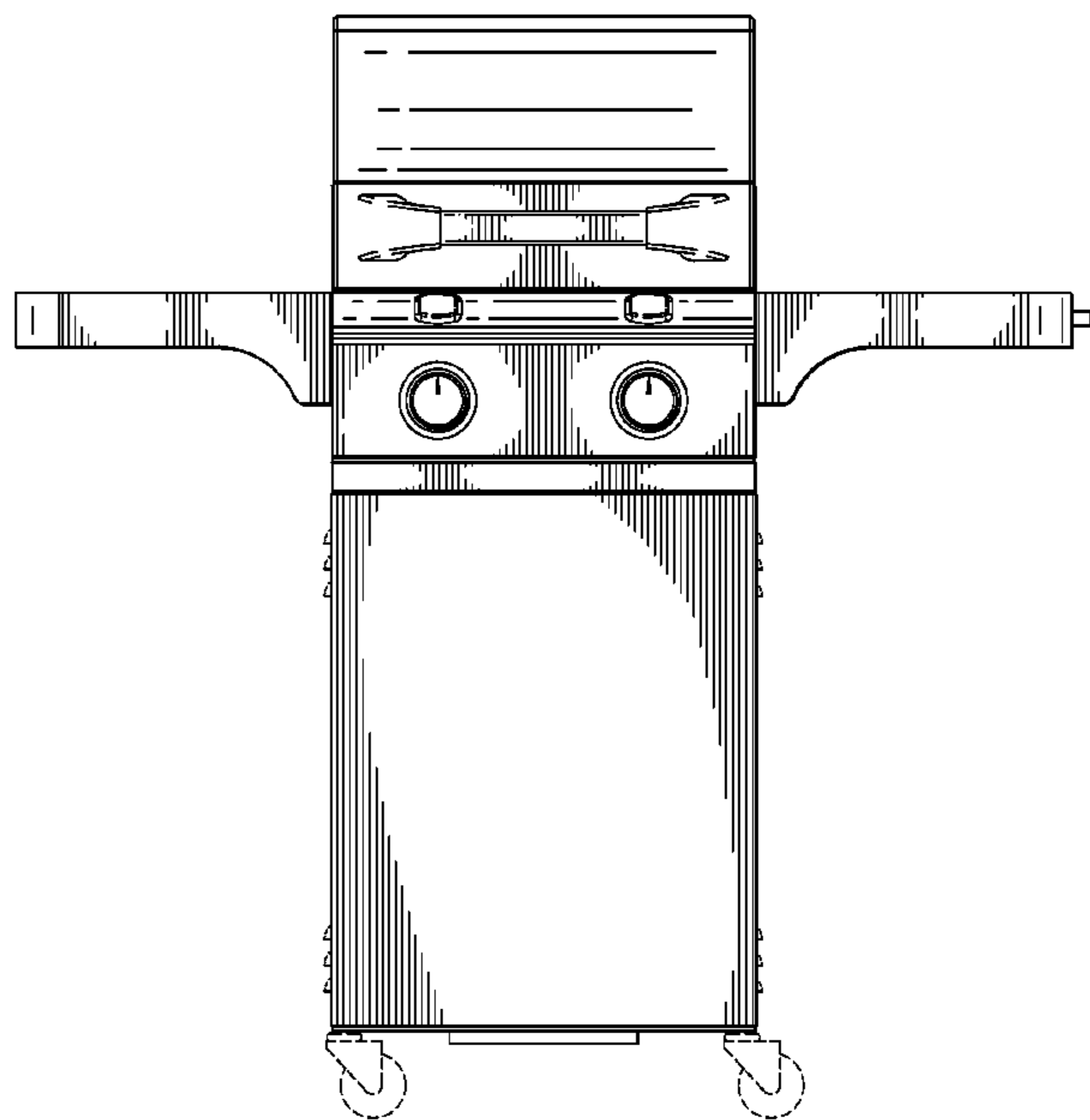
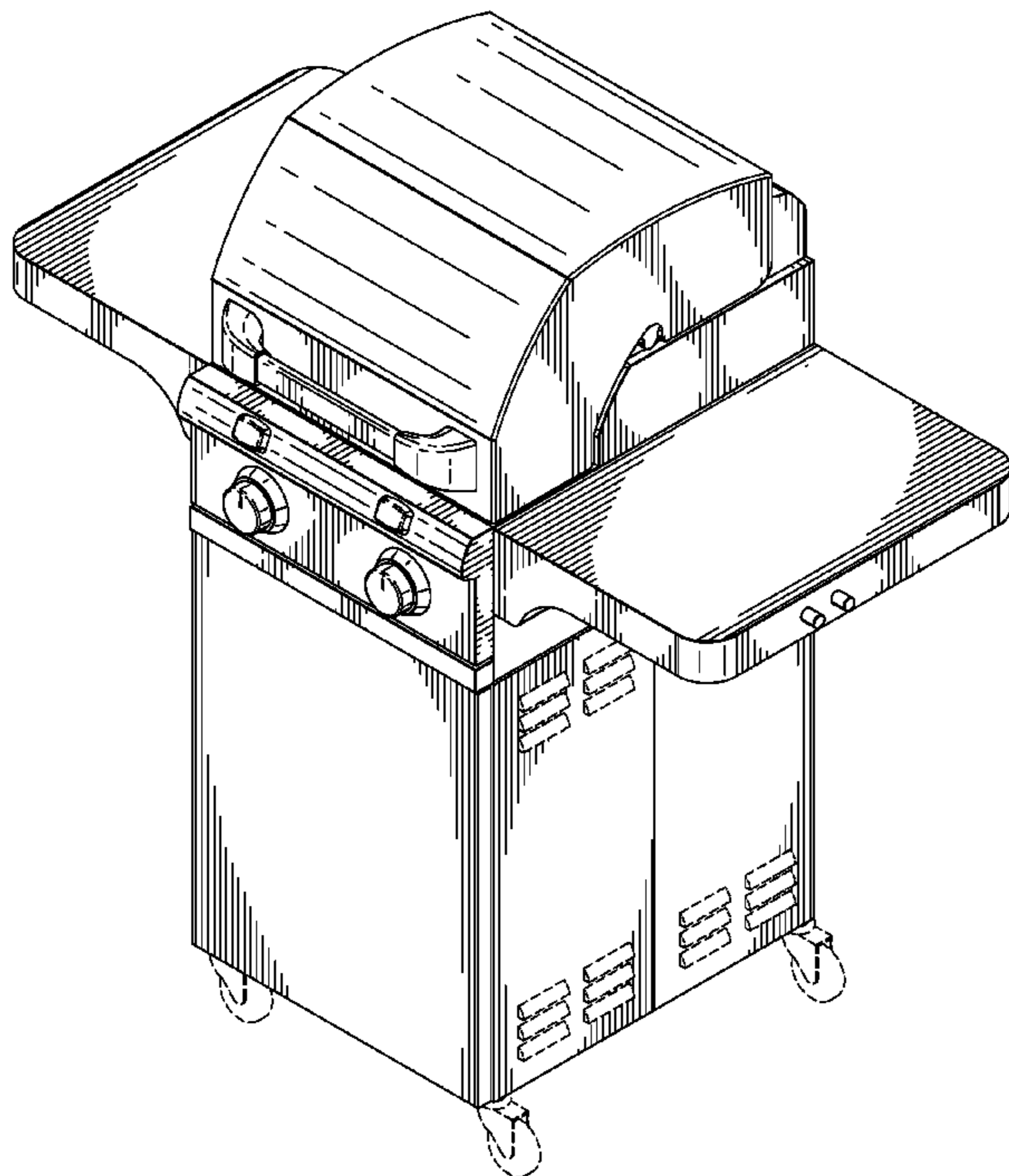
(57) **CLAIM**

We claim the ornamental design for a cooking grill, as shown and described.

**DESCRIPTION**

FIG. 1 is a top, front and right side perspective view of a cooking grill showing our new design; FIG. 2 is a front elevational view thereof; FIG. 3 is a rear elevational view thereof; FIG. 4 is a right side elevational view thereof; FIG. 5 is a left side elevational view thereof; and, FIG. 6 is a top plan view thereof.  
The broken lines are included for the purpose of illustrating portions of the cooking grill that form no part of the claimed design.

**1 Claim, 6 Drawing Sheets**



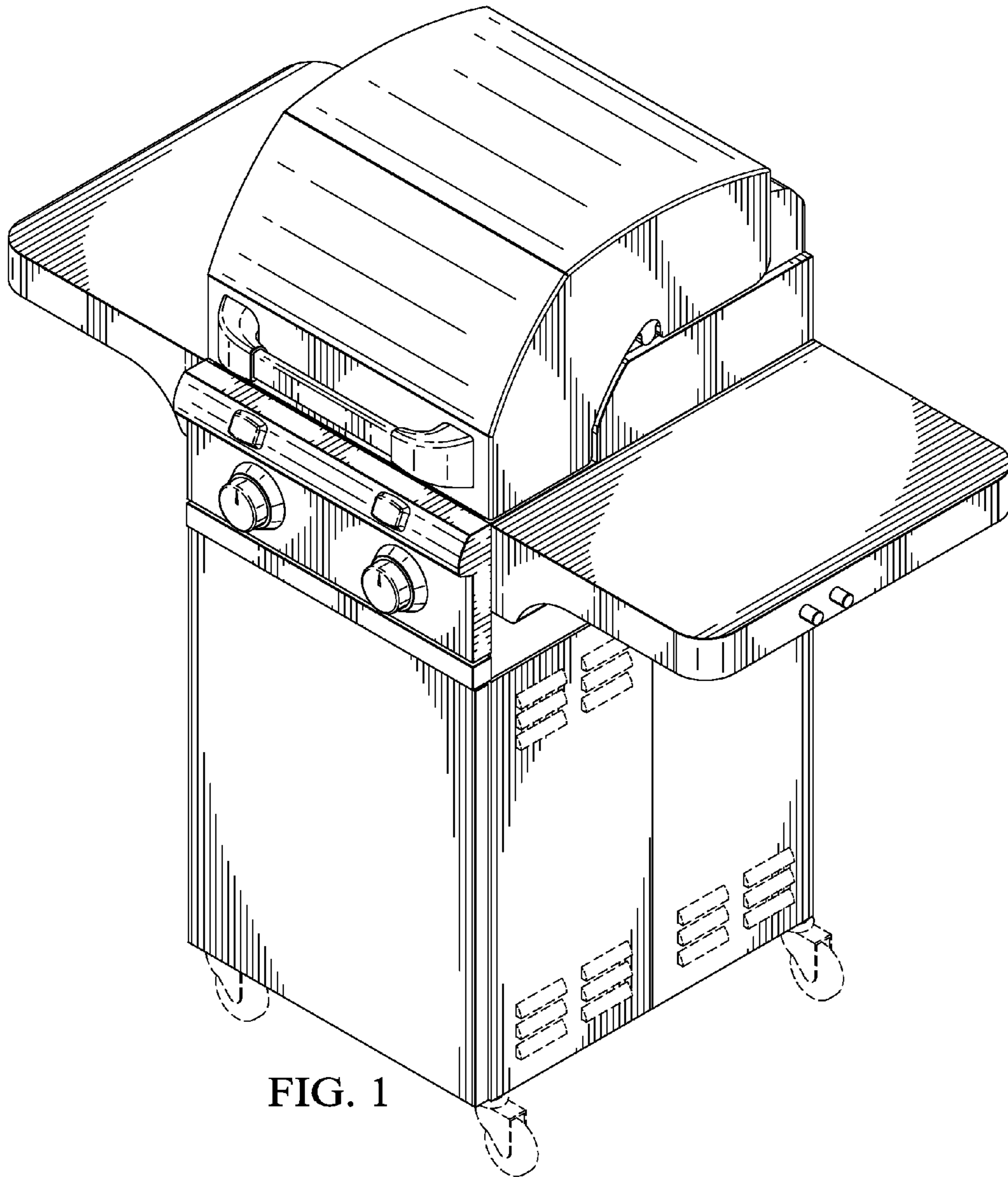


FIG. 1

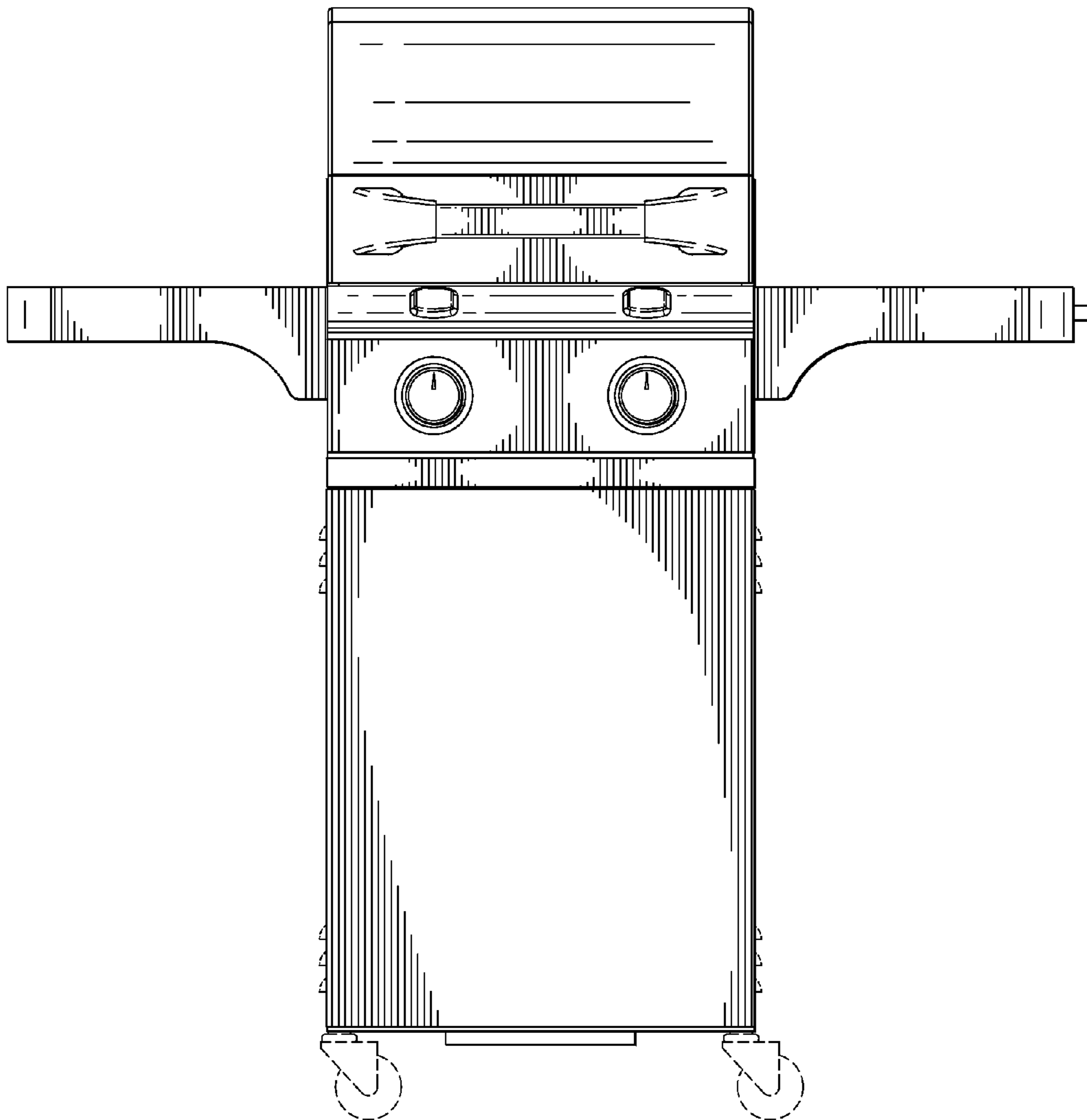


FIG. 2

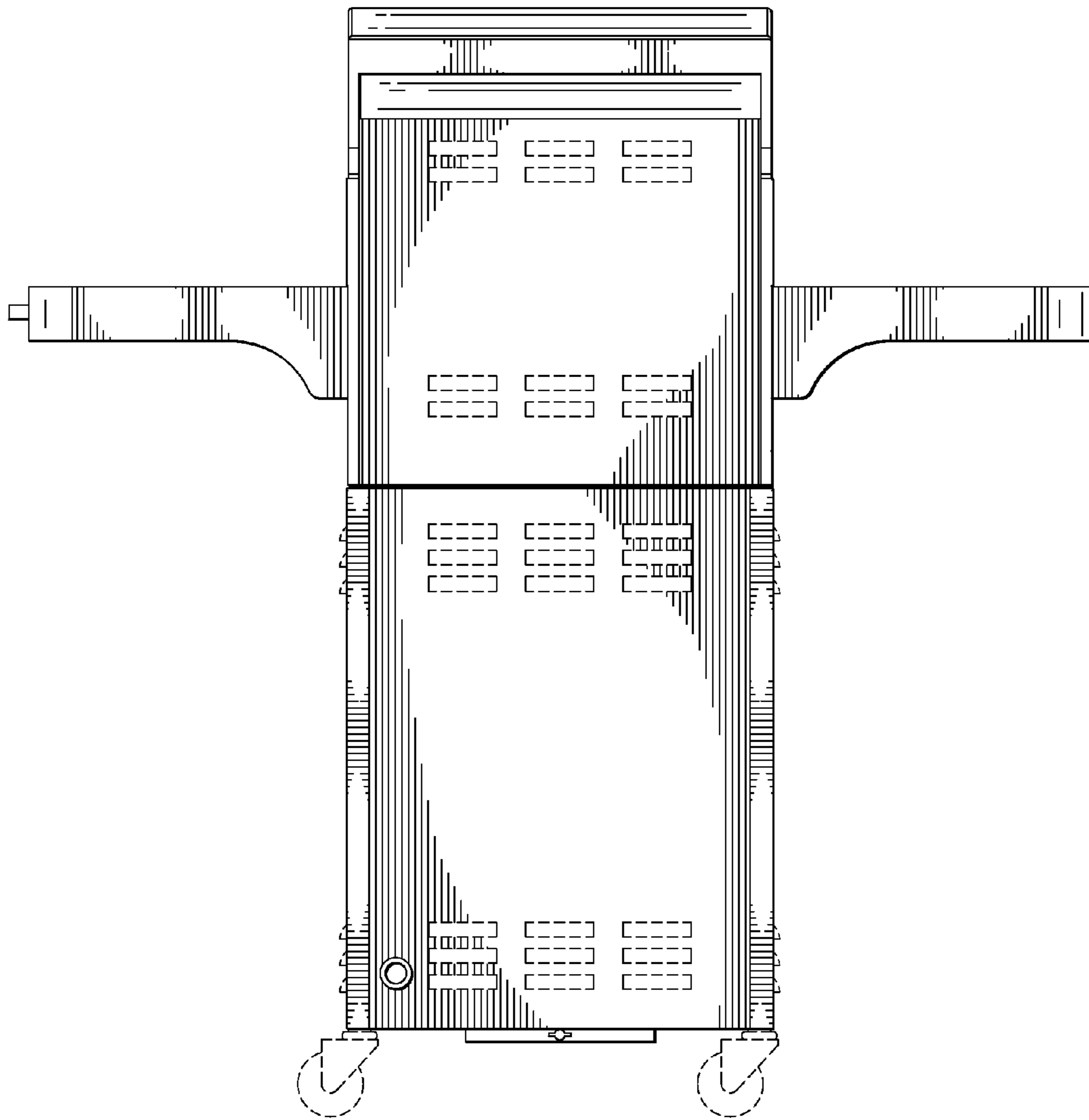


FIG. 3

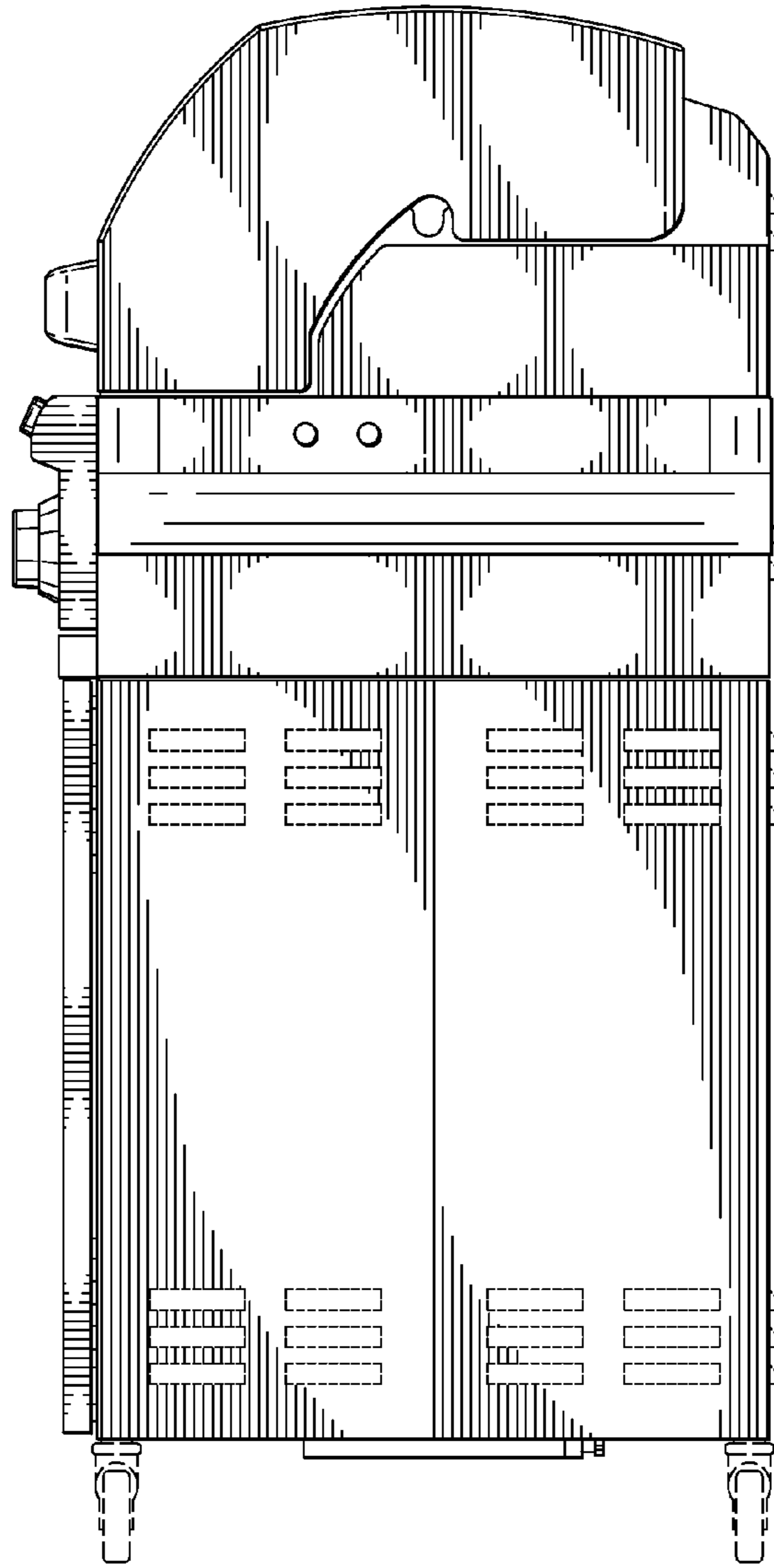


FIG. 4

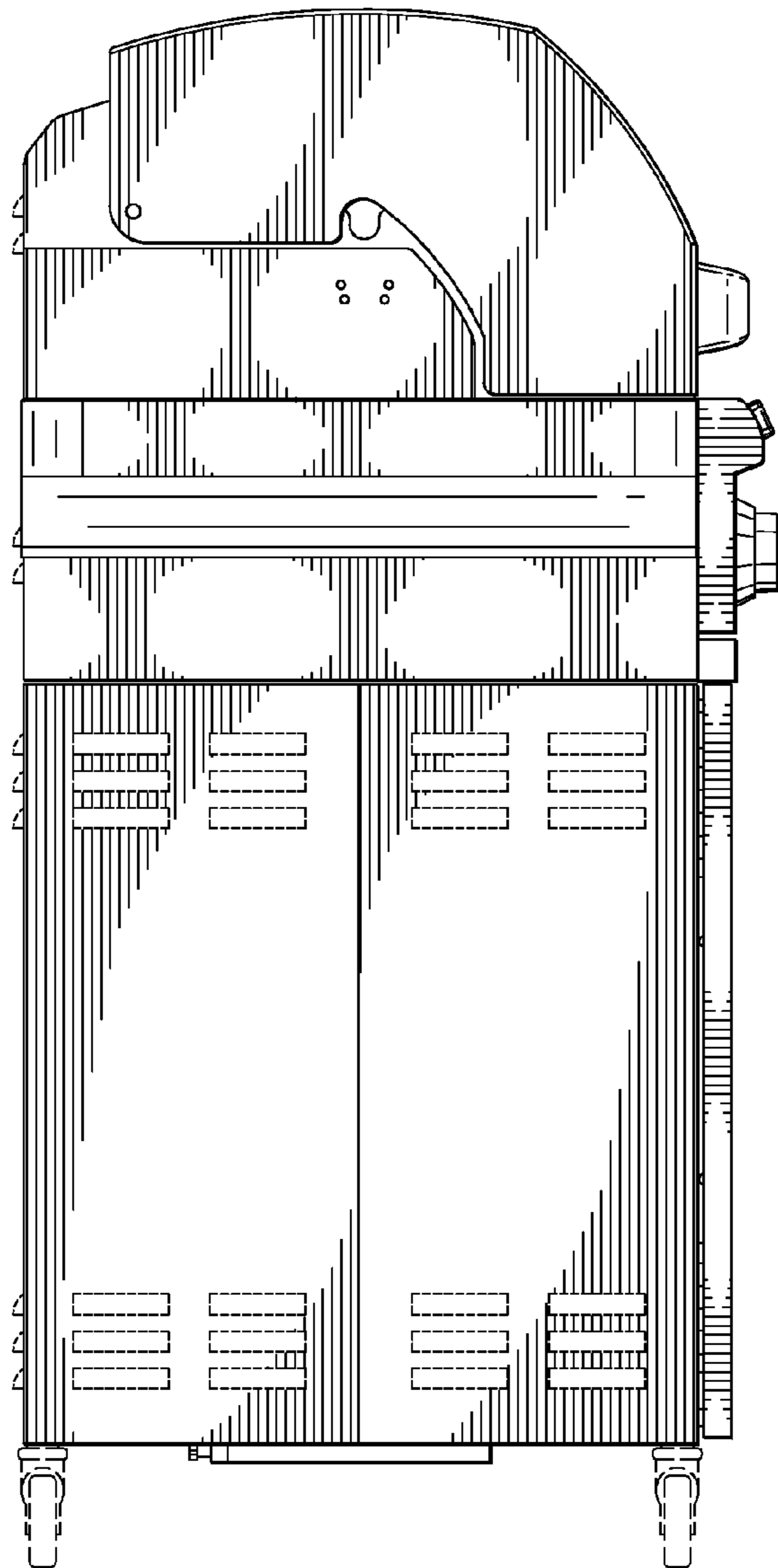


FIG. 5

FIG. 6

