

US00D679123S

(12) **United States Design Patent**  
**Evangelista**

(10) **Patent No.:** **US D679,123 S**

(45) **Date of Patent:** **\*\* Apr. 2, 2013**

(54) **SKATEBOARD RACK**

6,293,412 B1 \* 9/2001 Draper ..... 211/85.7  
D591,095 S \* 4/2009 Zasloff ..... D6/574  
D655,549 S \* 3/2012 Allain ..... D6/552

(76) Inventor: **Guido Vincenzo Evangelista**, Isle of Palms, SC (US)

\* cited by examiner

(\*\*) Term: **14 Years**

*Primary Examiner* — Brian N Vinson

(74) *Attorney, Agent, or Firm* — Charllestons Landsharks Inc

(21) Appl. No.: **29/417,351**

(57) **CLAIM**

The ornamental design for a skateboard rack, as shown and described.

(22) Filed: **Apr. 2, 2012**

**DESCRIPTION**

(51) **LOC (9) Cl.** ..... **08-08**

(52) **U.S. Cl.** ..... **D6/552**

(58) **Field of Classification Search** ..... D6/512–514,  
D6/552, 553, 567, 572; D8/354, 363, 372;  
211/13.1, 86.01, 87.01, 205–207, 182; 248/309.1;  
D21/769

See application file for complete search history.

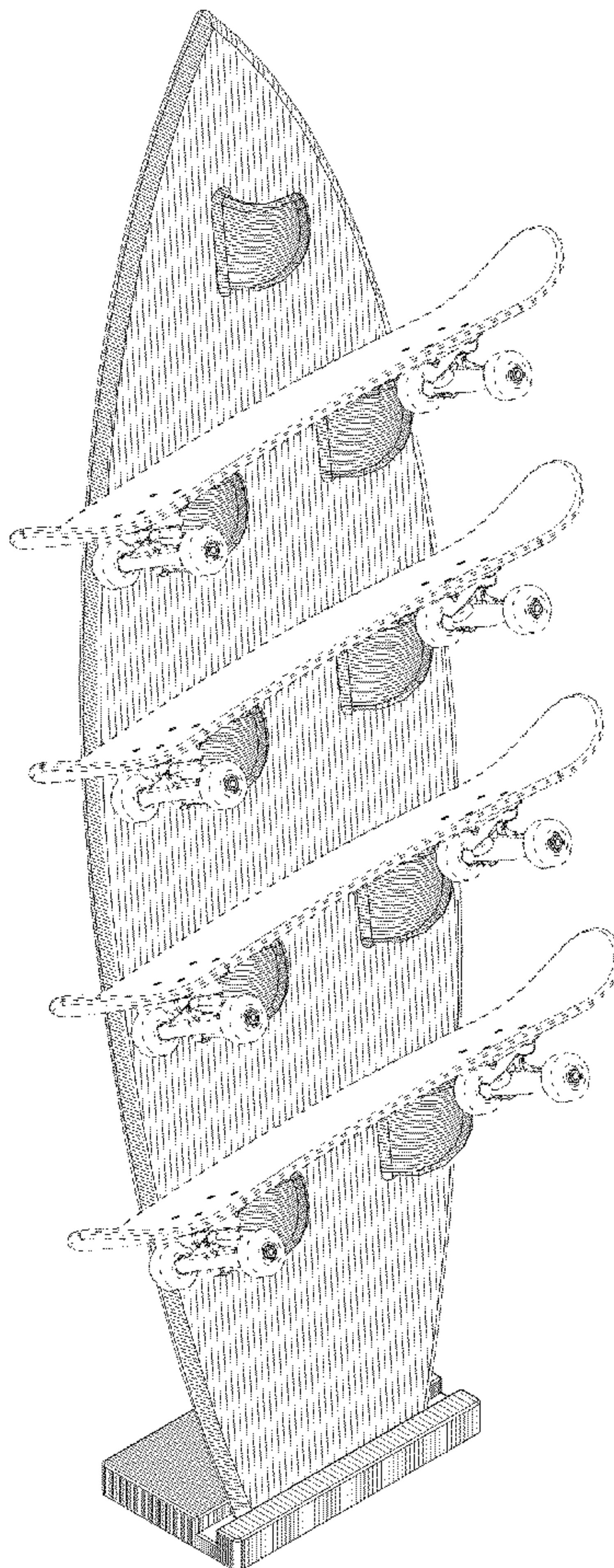
FIG. 1 is a top, front, and left side perspective view of a skateboard rack showing my new design; FIG. 2 is a front elevational view thereof; FIG. 3 is a rear elevational view thereof; FIG. 4 is a left side elevational view thereof; FIG. 5 is a right side elevational view thereof; FIG. 6 is a top plan view of thereof; FIG. 7 is a bottom plan view thereof; and, FIG. 8 is an additional top, front, and left side perspective view thereof, with the broken line disclosure of skateboards included for the purpose of showing environmental structure and forming no part of the claimed design.

(56) **References Cited**

**U.S. PATENT DOCUMENTS**

5,305,897 A \* 4/1994 Smith ..... 211/85.7  
5,833,078 A \* 11/1998 York ..... 211/87.01  
D425,745 S \* 5/2000 Harris et al. .... D6/552

**1 Claim, 8 Drawing Sheets**



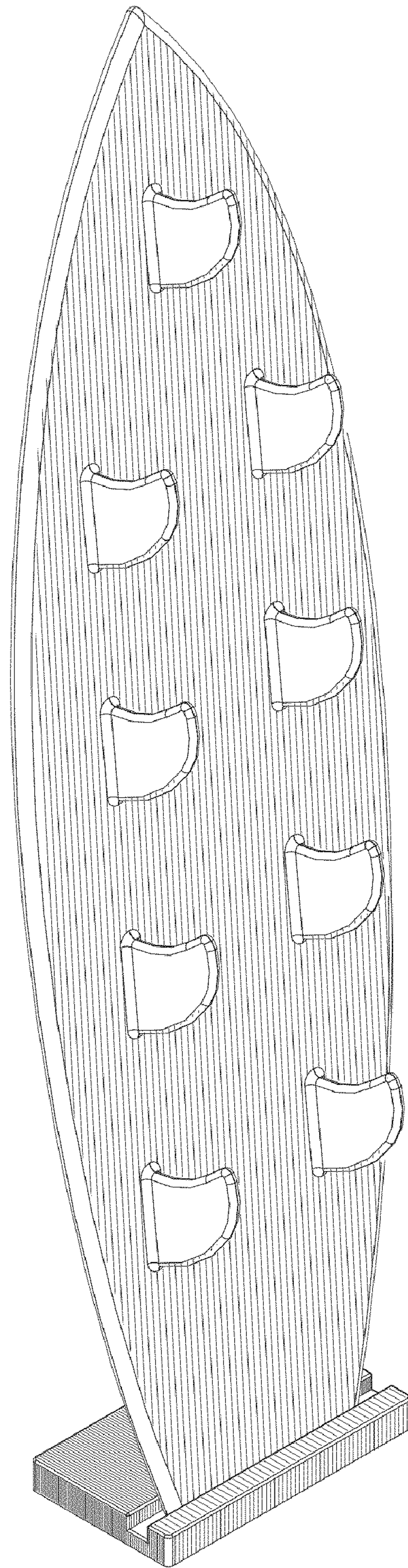


FIG. 1



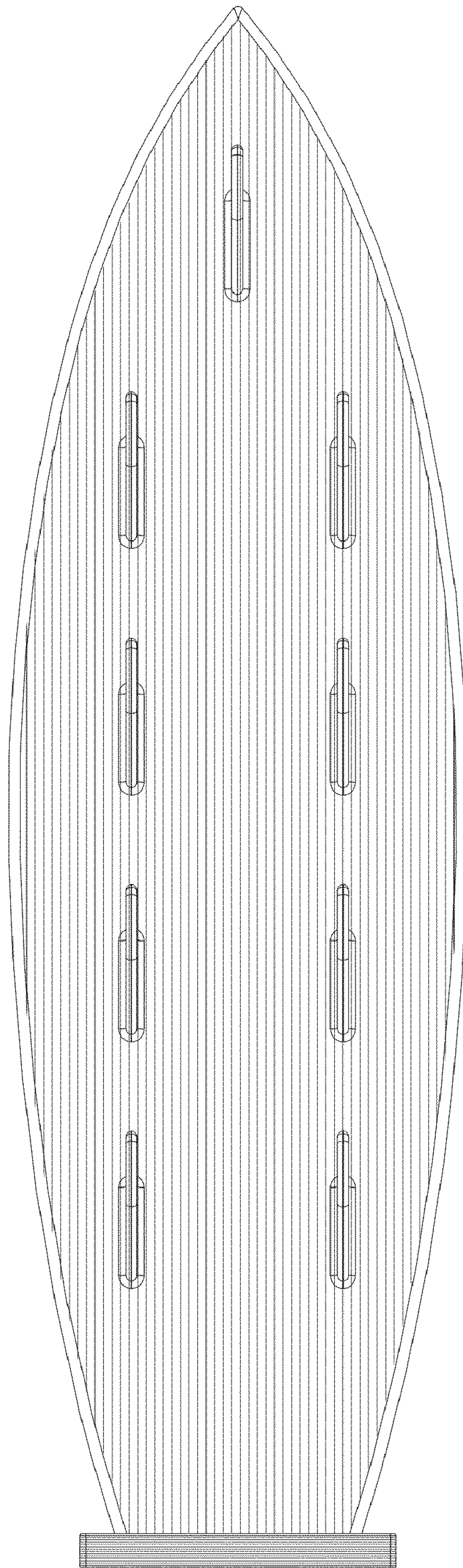


FIG. 2

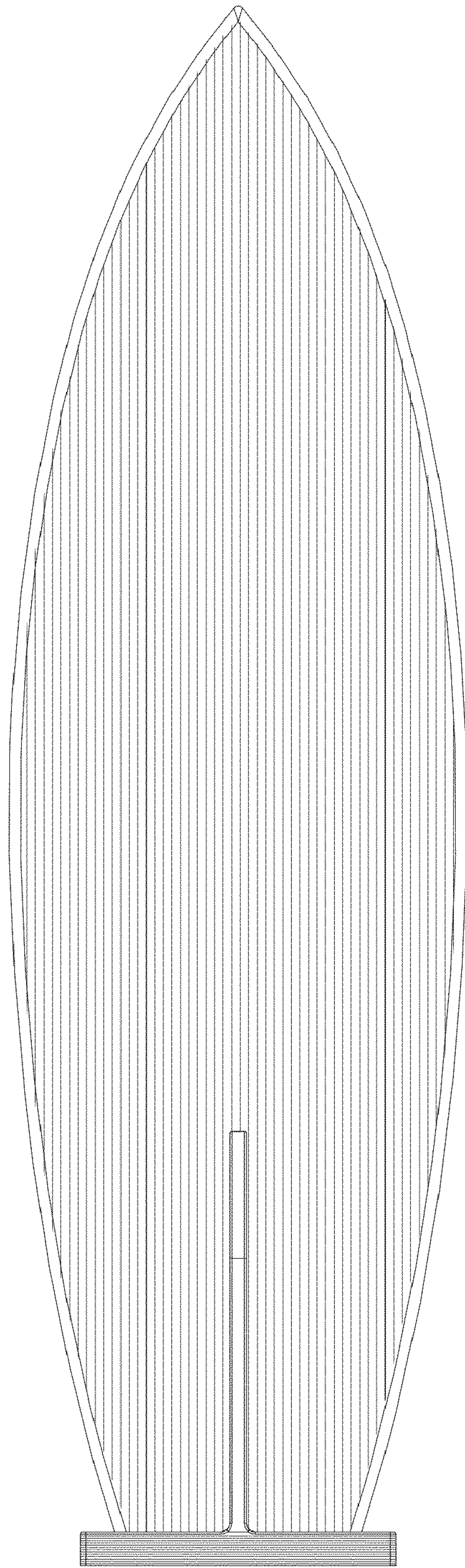


FIG. 3



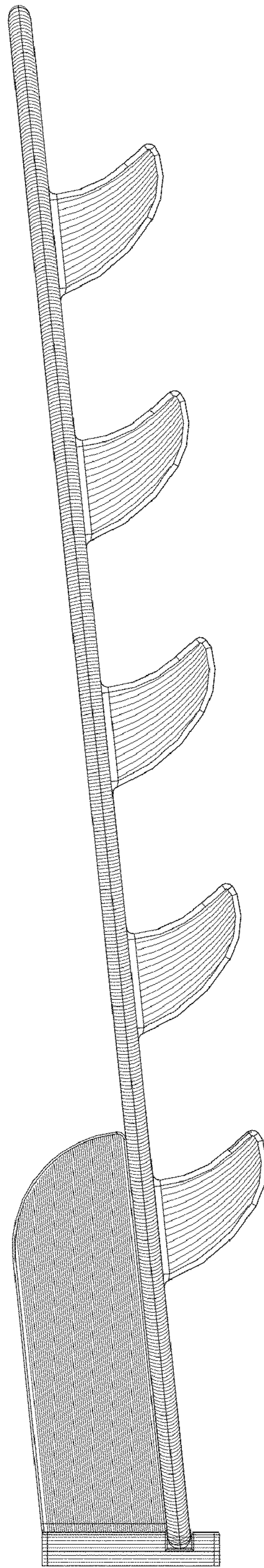


FIG. 4

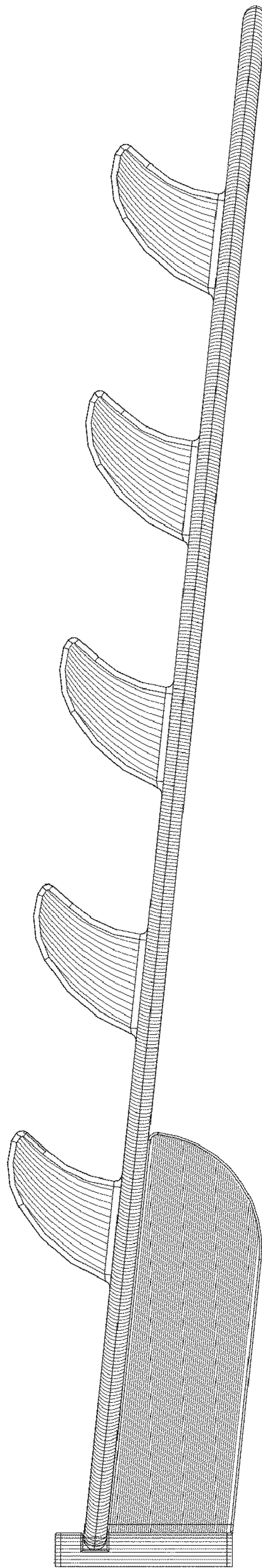


FIG. 5

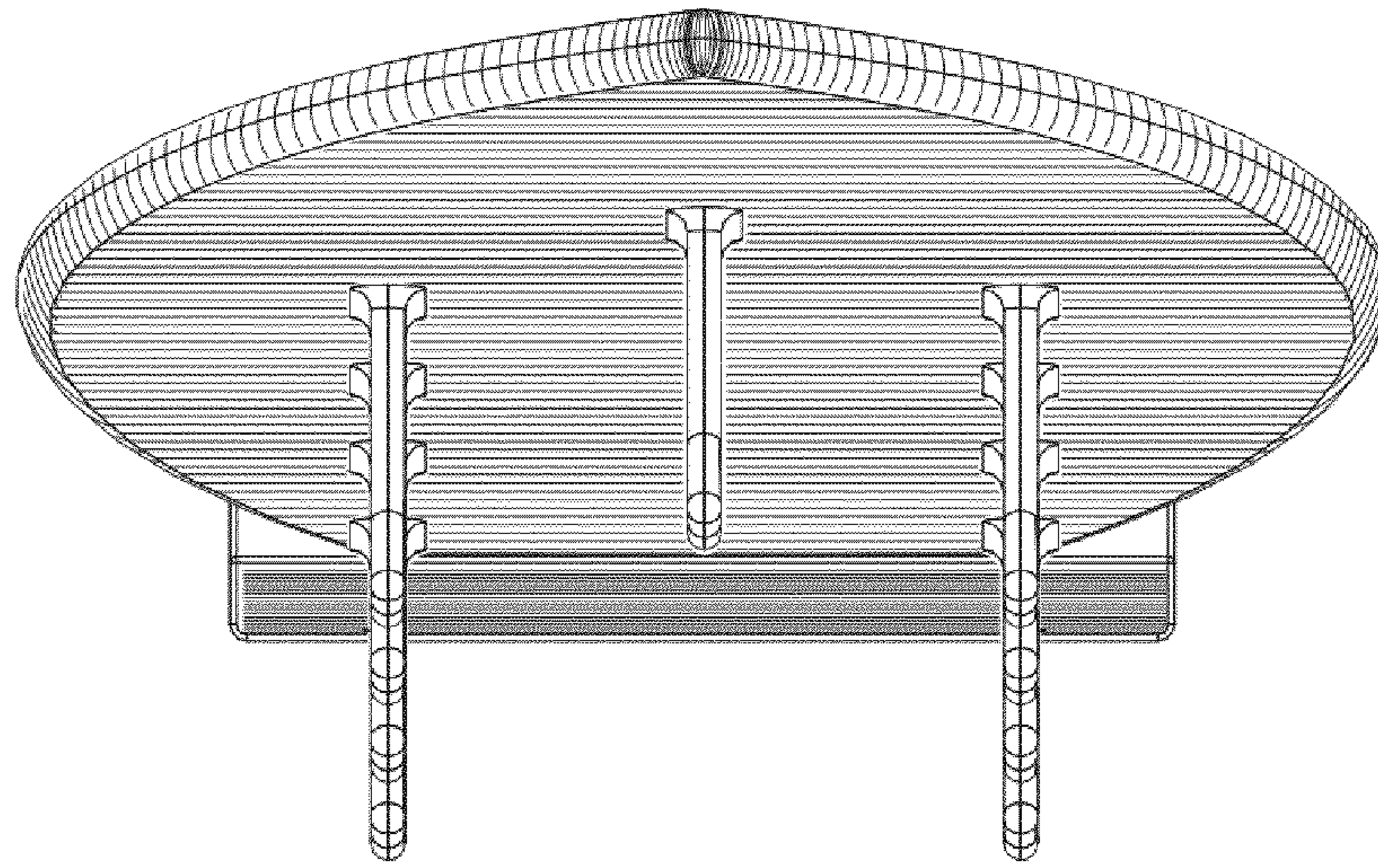


FIG. 6



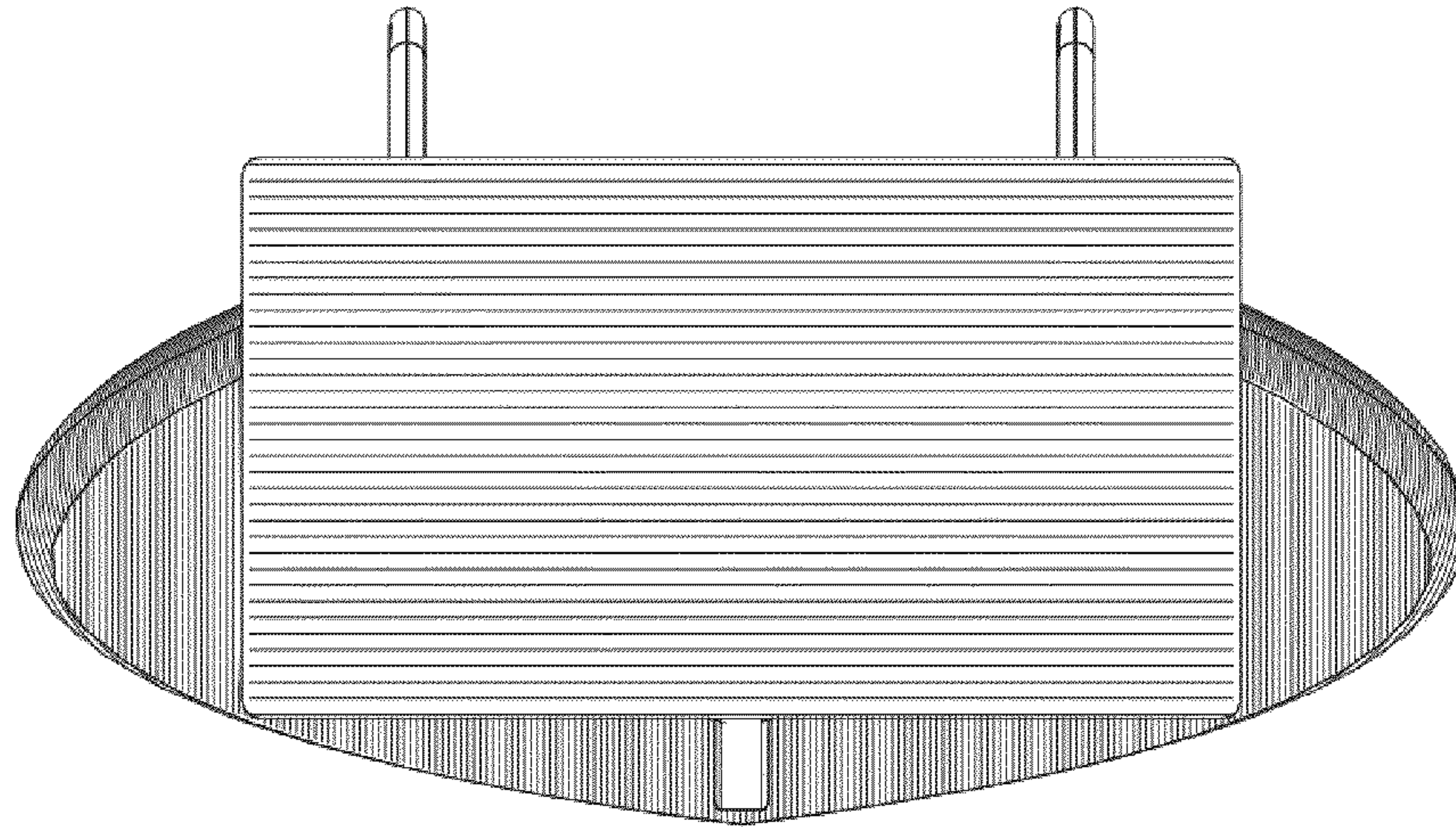


FIG. 7



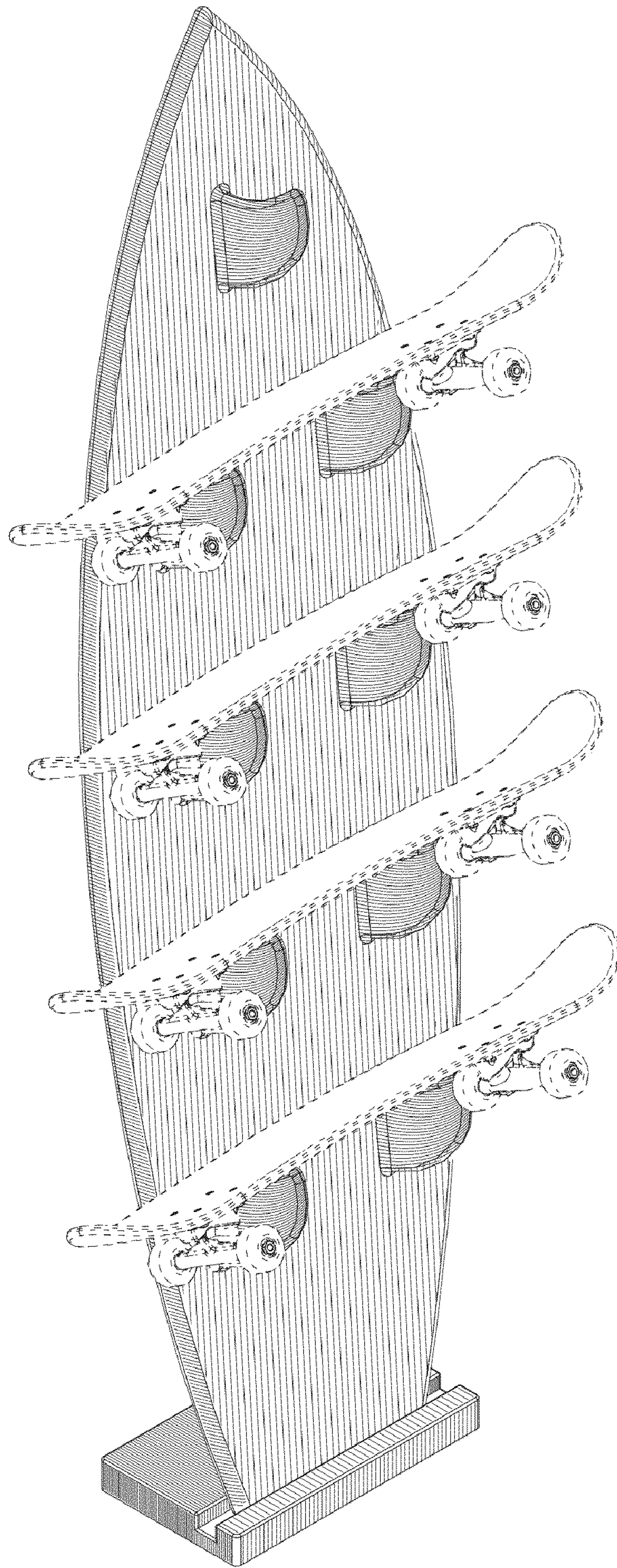


FIG. 8