



US00D679121S

(12) **United States Design Patent**
Malone

(10) **Patent No.:** **US D679,121 S**

(45) **Date of Patent:** **** Apr. 2, 2013**

(54) **PACKABLE HANGING SHELF SYSTEM AND TRAVEL ORGANIZER FOR LUGGAGE**

(71) Applicant: **Richard C. Malone**, Oakland Park, FL (US)

(72) Inventor: **Richard C. Malone**, Oakland Park, FL (US)

(**) Term: **14 Years**

(21) Appl. No.: **29/432,516**

(22) Filed: **Sep. 17, 2012**

Related U.S. Application Data

(60) Division of application No. 29/422,442, filed on May 21, 2012, now Pat. No. Des. 670,112, which is a continuation-in-part of application No. 12/561,501, filed on Sep. 17, 2009.

(51) **LOC (9) Cl.** **06-06**

(52) **U.S. Cl.** **D6/514**

(58) **Field of Classification Search** D6/512-514; D3/303, 305, 308, 310, 313, 316, 317, 319, D3/902; 206/278, 286, 289, 9, 278.1, 298, 206/315.1, 579; 211/13.1, 85.3, 113; 190/1, 190/104, 106, 107, 110, 111, 115, 11, 13 R, 190/9; 220/666, 912, 9.1

See application file for complete search history.

(56) **References Cited**

U.S. PATENT DOCUMENTS

| | | |
|-------------|---------|------------|
| 1,331,621 A | 2/1920 | Carlin |
| 1,540,024 A | 6/1925 | Larsen |
| 1,841,066 A | 3/1932 | Berg |
| 2,244,887 A | 6/1941 | Manley |
| 2,440,192 A | 4/1948 | Cowan |
| 2,517,757 A | 8/1950 | Adlerstein |
| 2,533,333 A | 12/1950 | Kitson |

| | | | |
|---------------|---------|------------------|--------|
| 2,639,819 A | 5/1953 | Marks | |
| 2,645,547 A | 7/1953 | Channer | |
| 2,907,420 A | 10/1959 | Doppelt | |
| 4,108,084 A * | 8/1978 | Fink | D6/514 |
| D382,747 S * | 8/1997 | Dickinson et al. | D6/514 |
| 6,732,659 B2 | 5/2004 | Poon | |
| 7,334,669 B2 | 2/2008 | Barker | |
| D569,666 S * | 5/2008 | Gusdorf | D6/514 |
| D583,152 S * | 12/2008 | Keeney | D3/319 |
| D606,334 S * | 12/2009 | Clark et al. | D6/514 |
| D636,199 S * | 4/2011 | Snider | D6/514 |

FOREIGN PATENT DOCUMENTS

| | | |
|----|-----------------|---------|
| GB | 0714284.7 | 1/2009 |
| NO | PCTNO2006000338 | 10/2008 |

* cited by examiner

Primary Examiner — Brian N Vinson

(74) *Attorney, Agent, or Firm* — Mark D. Bowen; Malin Haley DiMaggio & Bowen P.A.

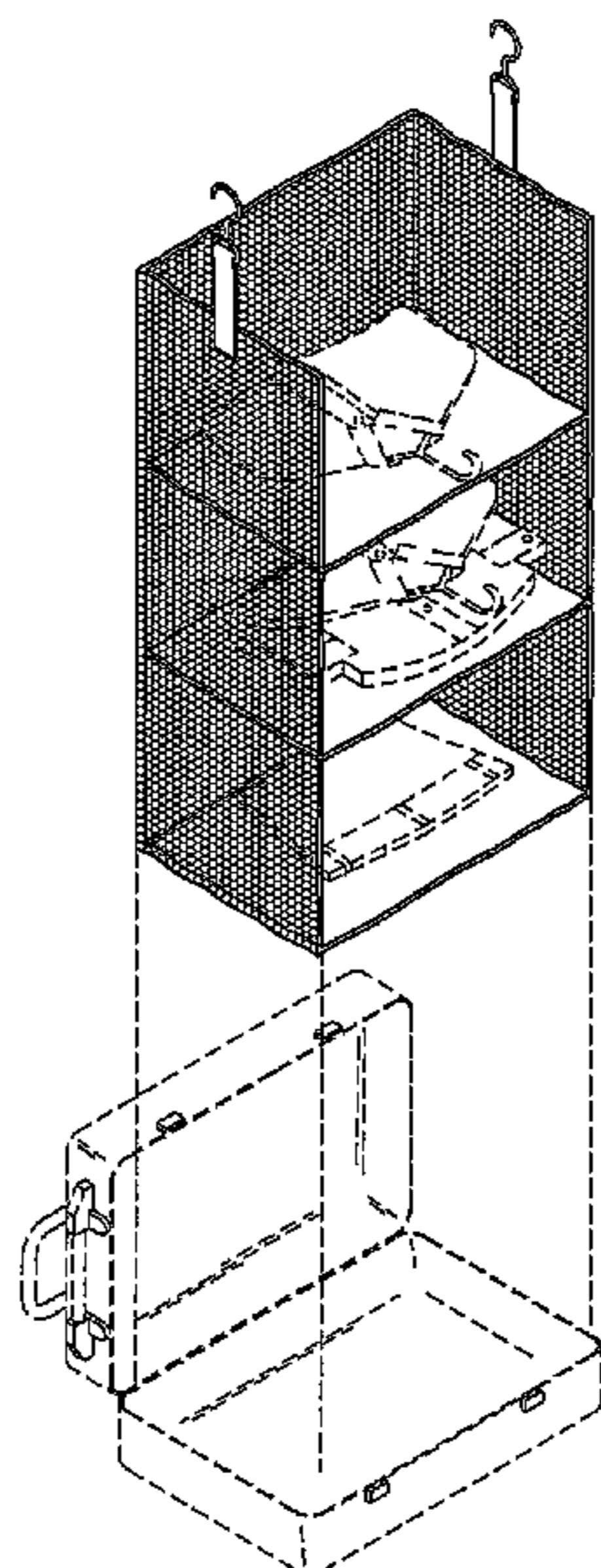
(57) **CLAIM**

The ornamental design for a packable hanging shelf system and travel organizer for luggage, as shown and described.

DESCRIPTION

FIG. 1 is a top front perspective view of a packable hanging shelf system and travel organizer in accordance with the present invention;
FIG. 2 is a bottom rear perspective view;
FIG. 3 is a front view;
FIG. 4 is a rear view;
FIG. 5 is a side view, the opposite side being a mirror image thereof;
FIG. 6 is a top view;
FIG. 7 is a bottom view; and,
FIG. 8 is a front perspective view illustration of the shelf system in relation to workpiece articles, which are shown in broken lines and form no part of the claimed design.

1 Claim, 4 Drawing Sheets



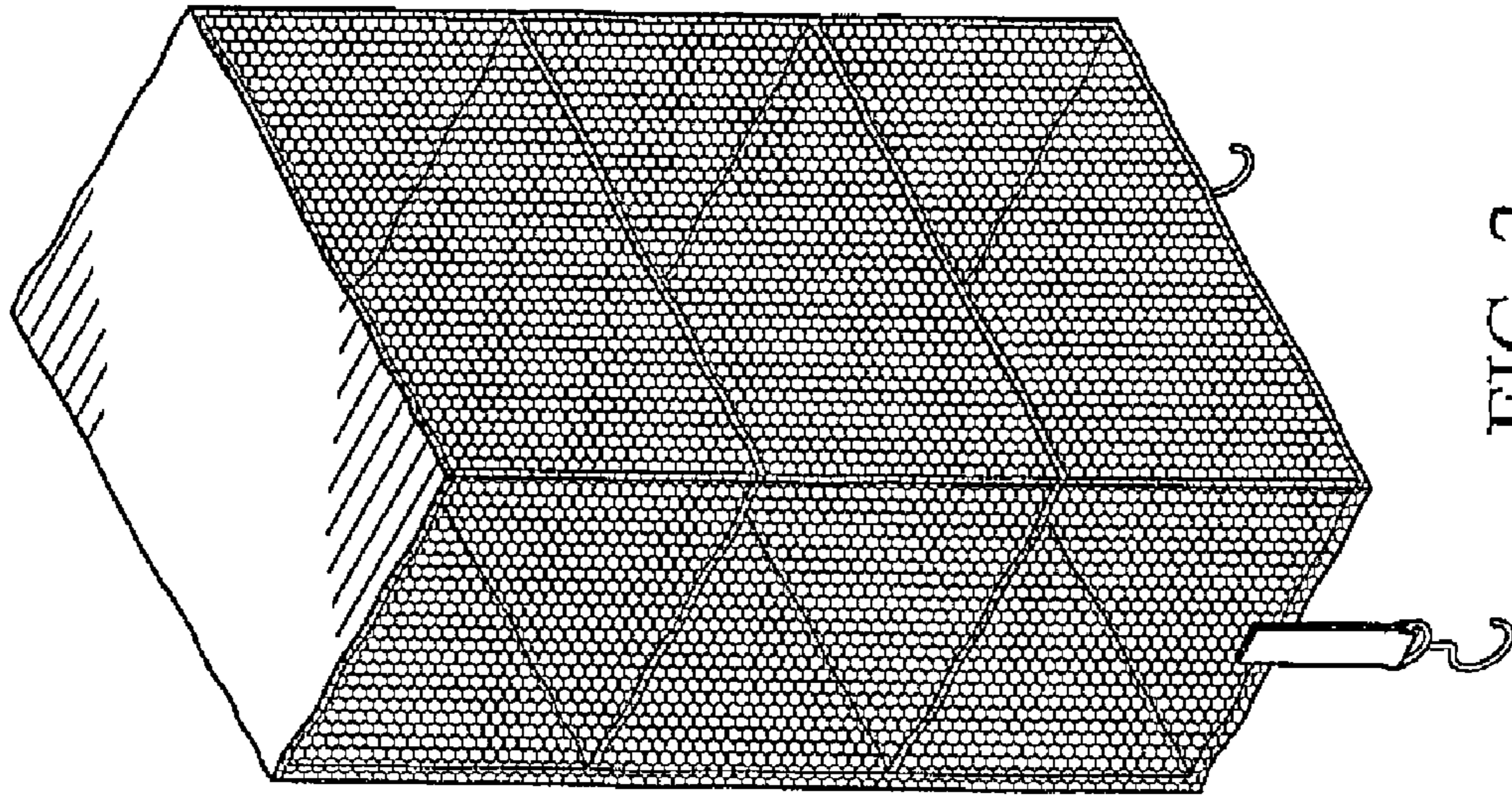


FIG. 2

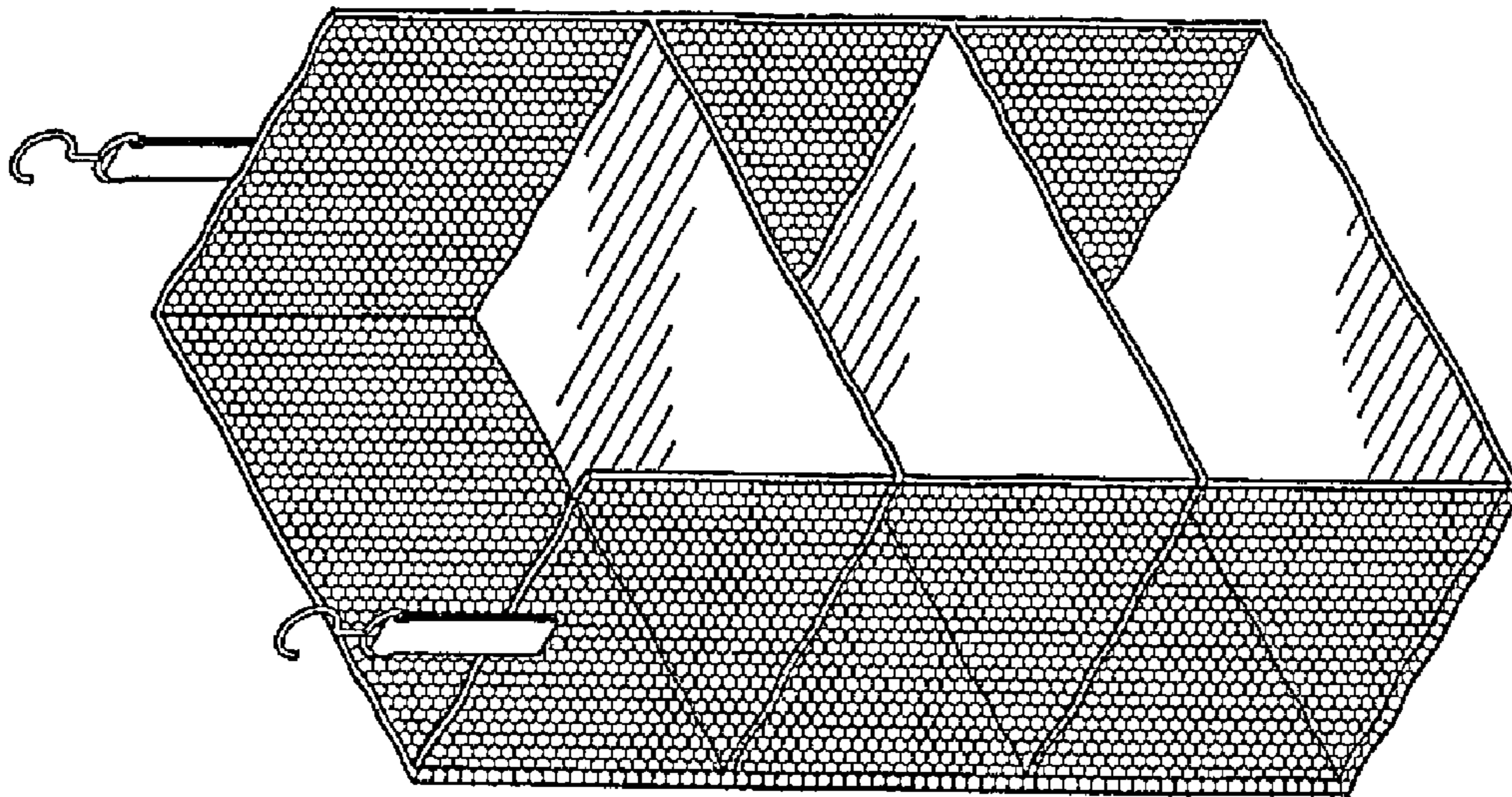


FIG. 1

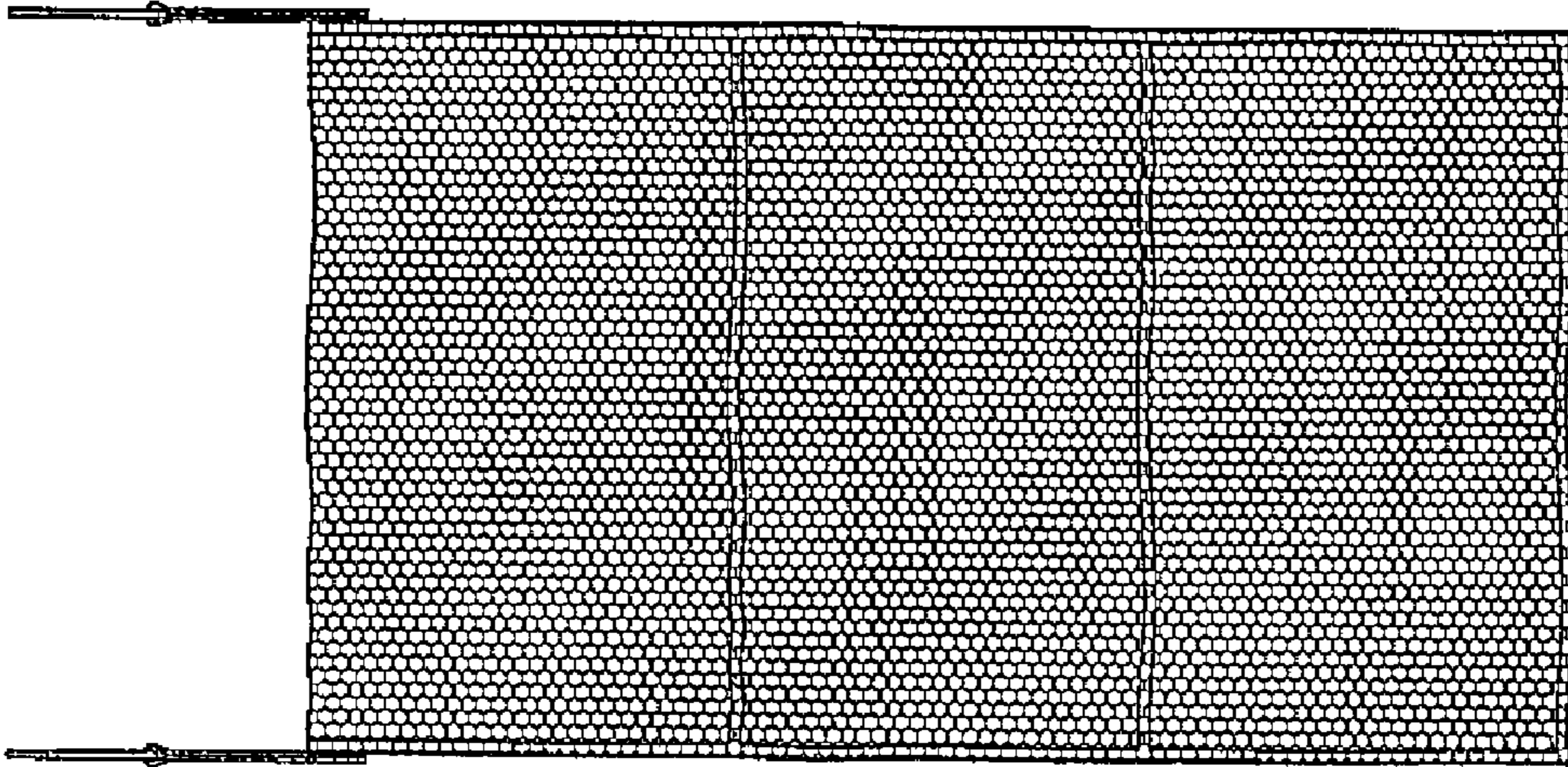


FIG. 4

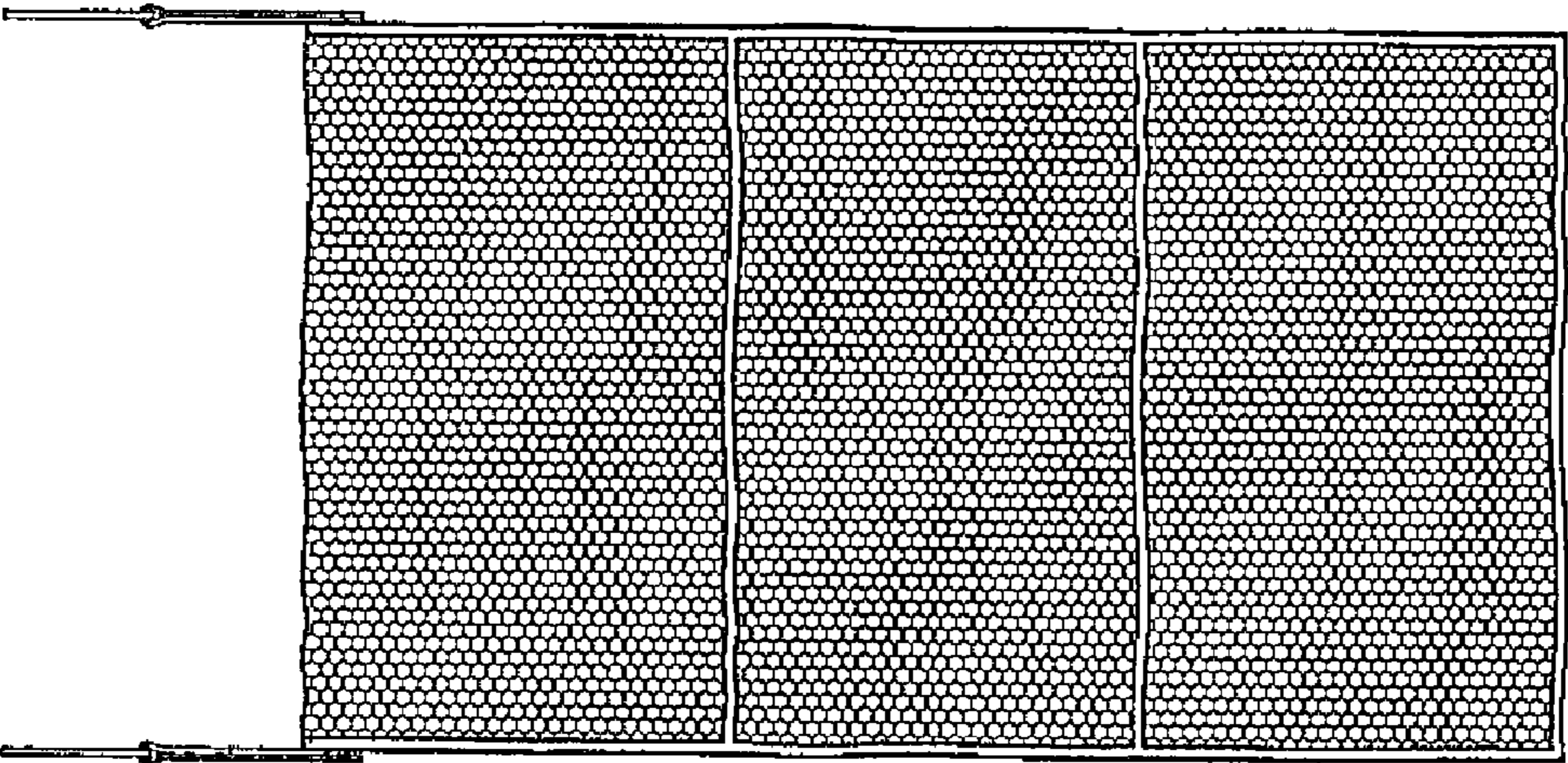


FIG. 3

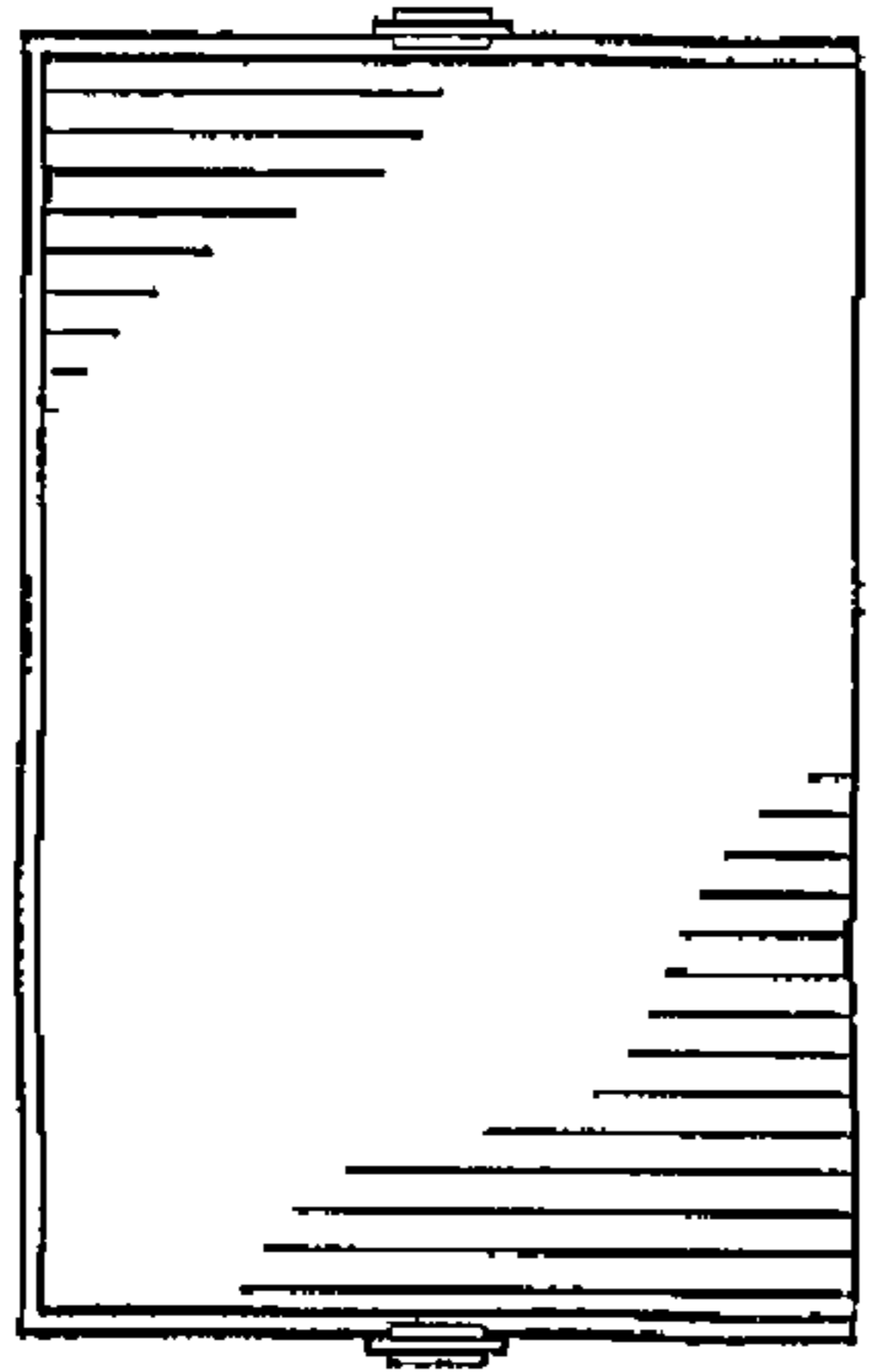


FIG. 6

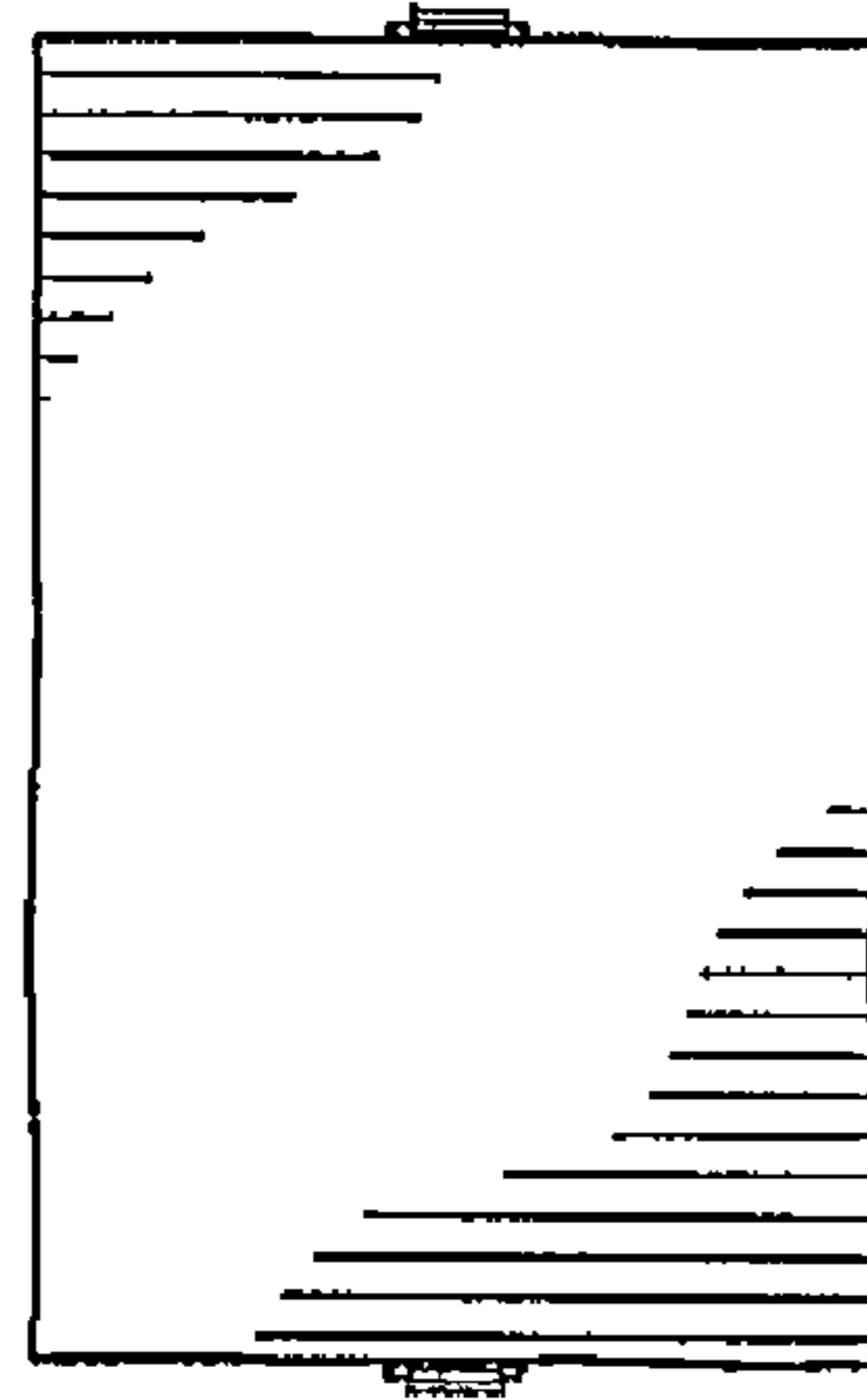


FIG. 7

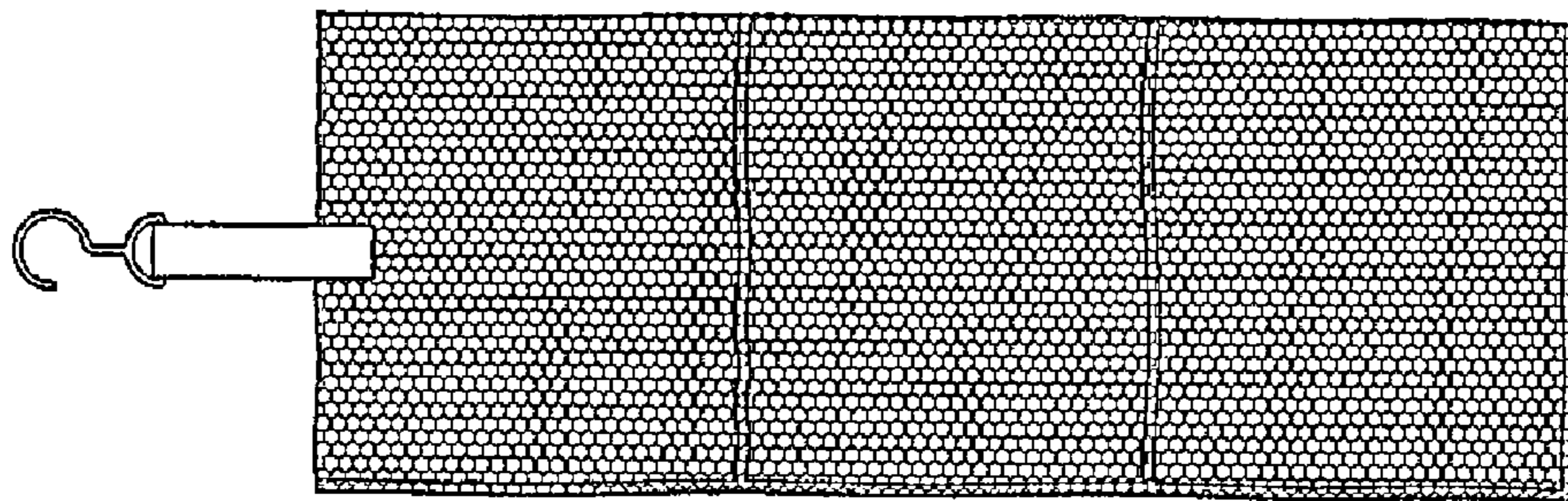


FIG. 5

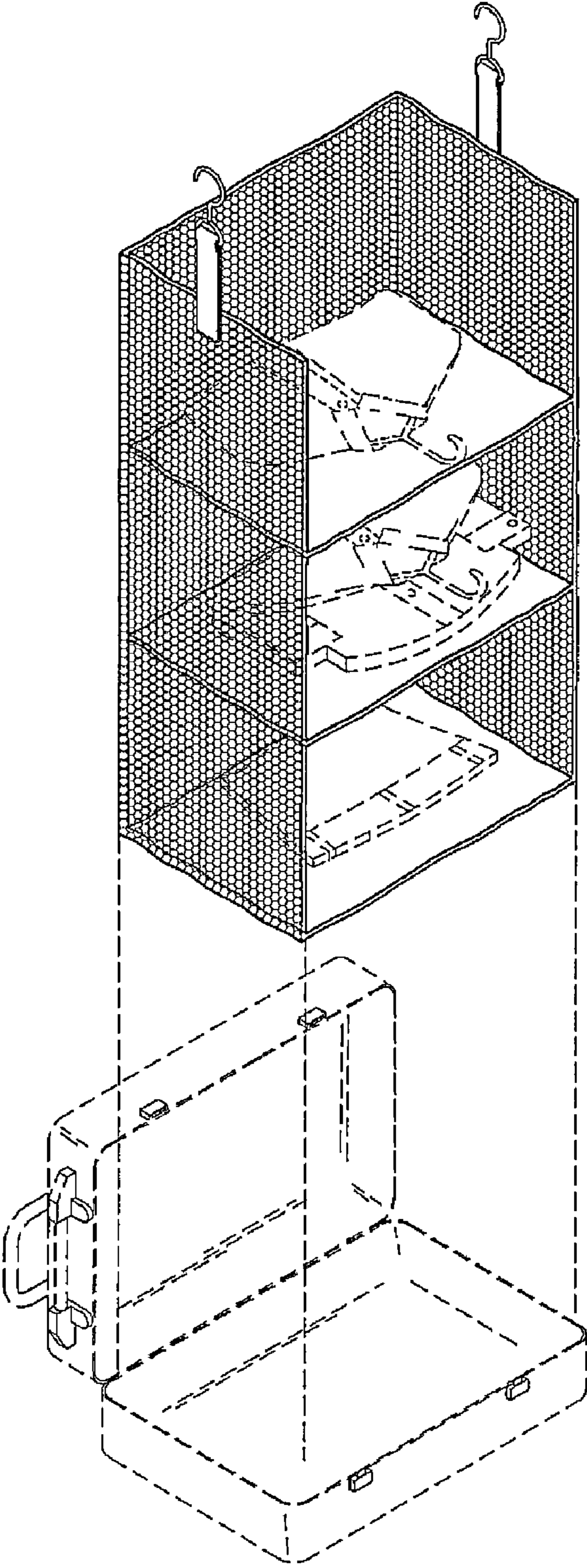


FIG. 8