



US00D679120S

(12) **United States Design Patent**
Abraham et al.

(10) **Patent No.:** **US D679,120 S**

(45) **Date of Patent:** **** Apr. 2, 2013**

(54) **HANGING CONTAINER FOR STORING ITEMS**

(76) Inventors: **James Abraham**, Sandy, UT (US); **Lee Ann Satt**, Agoura, CA (US)

(**) Term: **14 Years**

(21) Appl. No.: **29/423,038**

(22) Filed: **May 25, 2012**

(51) **LOC (9) Cl.** **06-06**

(52) **U.S. Cl.** **D6/513**

(58) **Field of Classification Search** D6/553,
D6/559, 560, 561, 329, 396, 442, 448, 436,
D6/437, 438, 439, 444, 445, 446, 513; 312/209,
312/234, 224, 225, 242, 245; 206/320, 823;
D3/201, 215

See application file for complete search history.

(56) **References Cited**

U.S. PATENT DOCUMENTS

D283,747	S	*	5/1986	Margiloff	D99/33
4,932,084	A		6/1990	Hanson		
D365,231	S	*	12/1995	Hopper	D6/513
D393,387	S		4/1998	Gregor et al.		
D550,513	S		9/2007	Mazza		
D557,542	S	*	12/2007	Brandon	D6/559
7,322,467	B2		1/2008	Youngblood		
D660,062	S	*	5/2012	Spoljaric et al.	D6/559
2006/0231438	A1		10/2006	Anderson		

OTHER PUBLICATIONS

Toilet Caddy, www.skymall.com/shopping/detail.htm?pid=102525260&c=10410, as accessed Mar. 17, 2008, 2 pages.

Toilet Caddy, www.harrietcarter.com/index.cfm/fuseaction/product.detail/_/Toilet-Caddy/productI..., as accessed Mar. 17, 2008, 1 page.

* cited by examiner

Primary Examiner — Brian N Vinson

(74) *Attorney, Agent, or Firm* — Thorpe North & Western LLP

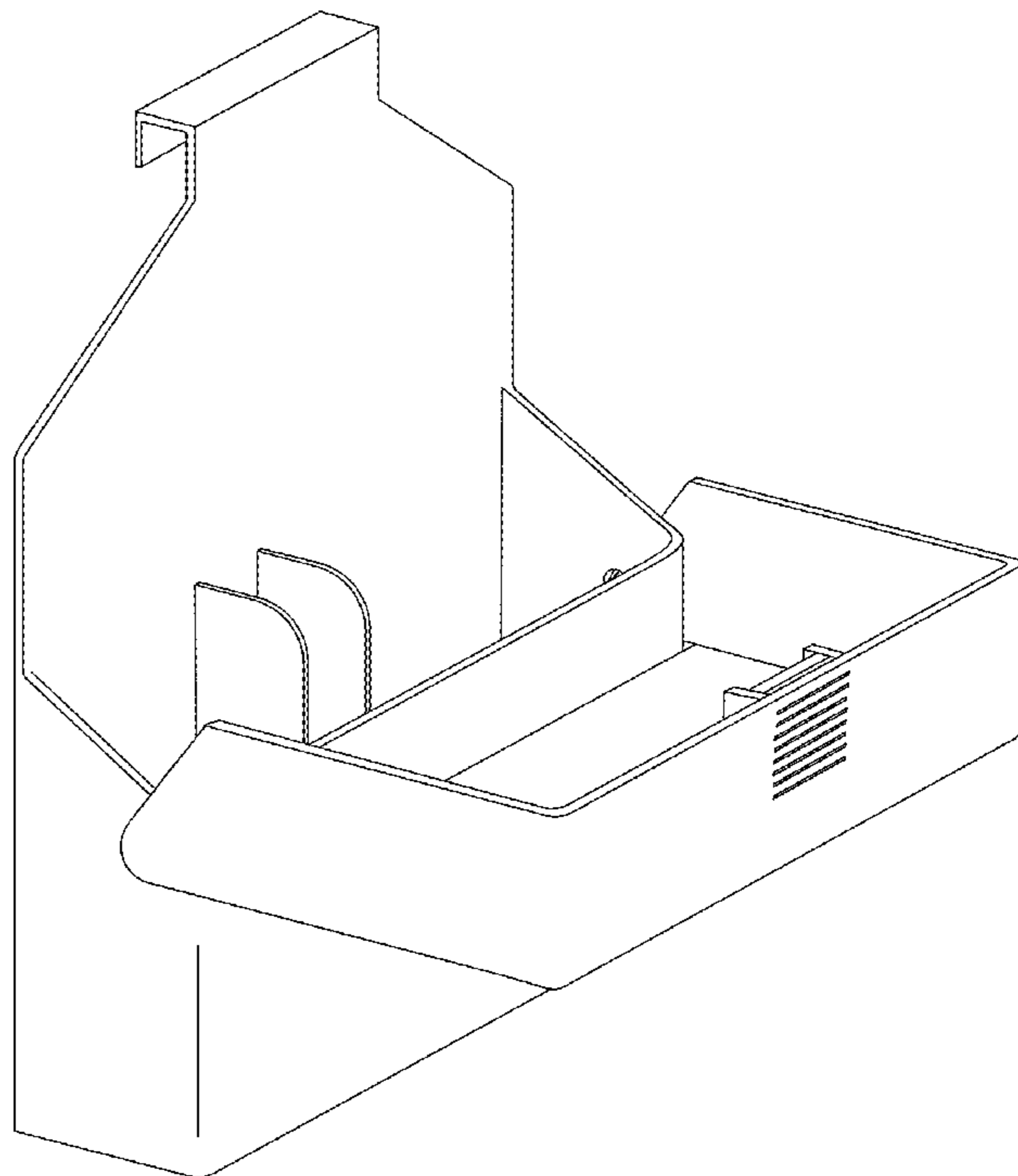
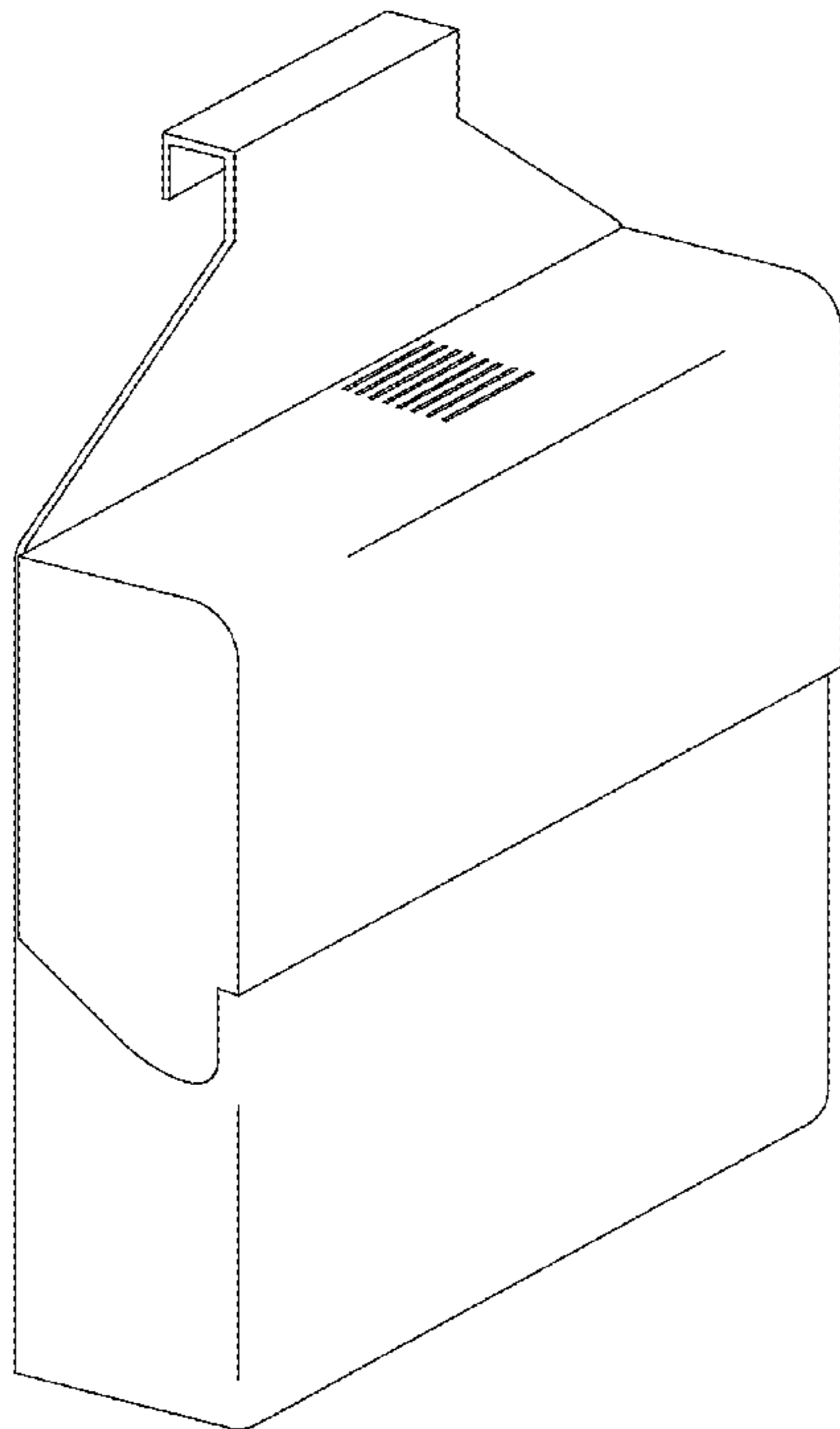
(57) **CLAIM**

The ornamental design for the hanging container for storing items, as shown and described herein.

DESCRIPTION

FIG. 1 is an elevated, perspective view of the hanging caddy for storing items in accordance with my invention;
 FIG. 2 is a front view thereof;
 FIG. 3 is a back view thereof;
 FIG. 4 is a side view of my invention as shown in FIG. 1, an opposing side view being the mirror image thereof;
 FIG. 5 is a top view thereof;
 FIG. 6 is a bottom view thereof;
 FIG. 7 is an elevated, perspective view of the hanging caddy for storing items with a hinged portion thereof in an open position;
 FIG. 8 is a front view thereof;
 FIG. 9 is a side view of my invention as shown in FIG. 7, an opposing side view being the mirror image thereof;
 FIG. 10 is a top view thereof; and,
 FIG. 11 is a bottom view thereof.
 The broken lines shown in FIG. 1 are for illustrative purposes only and form no part of the claimed design.

1 Claim, 10 Drawing Sheets



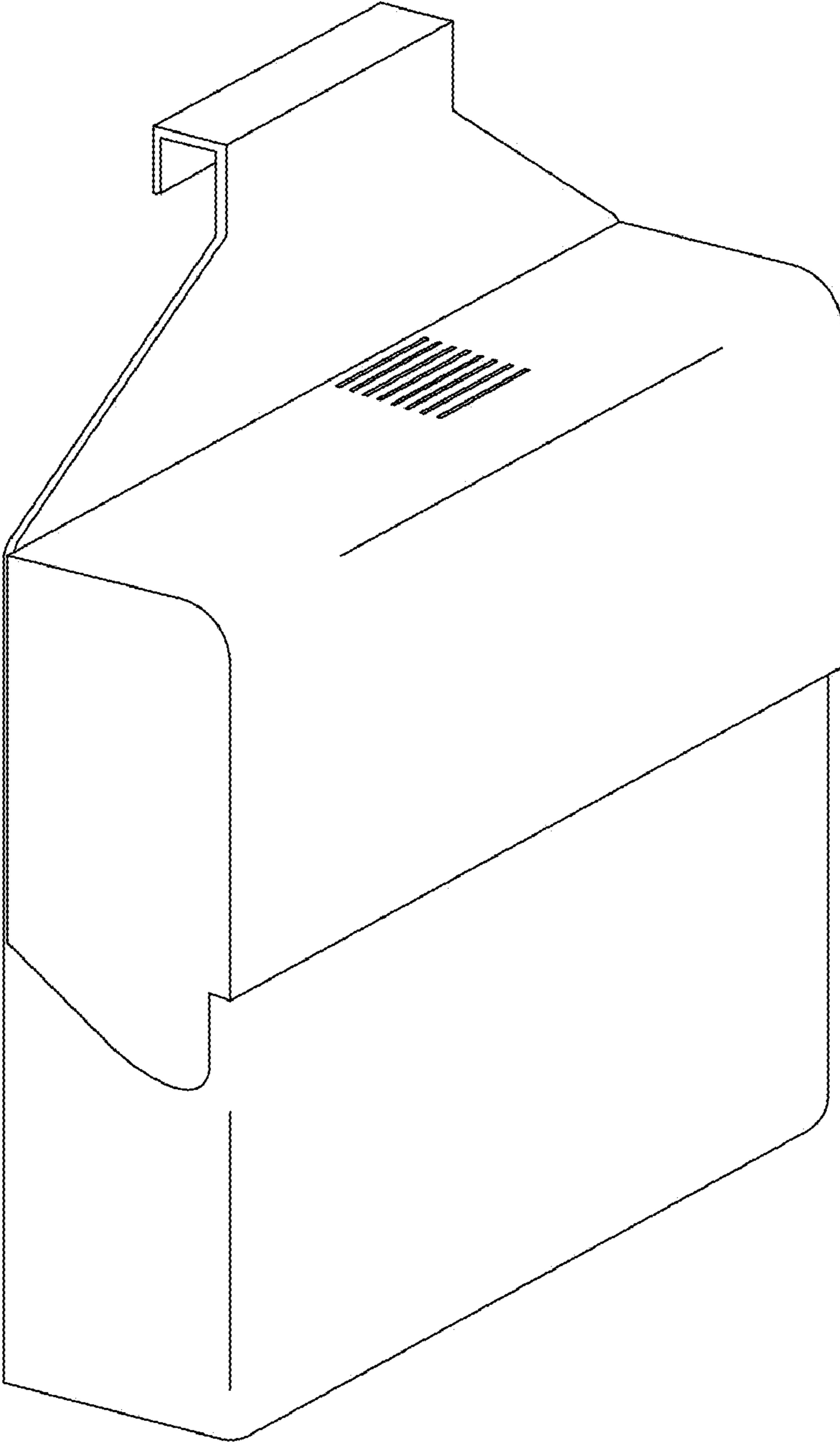


FIG. 1

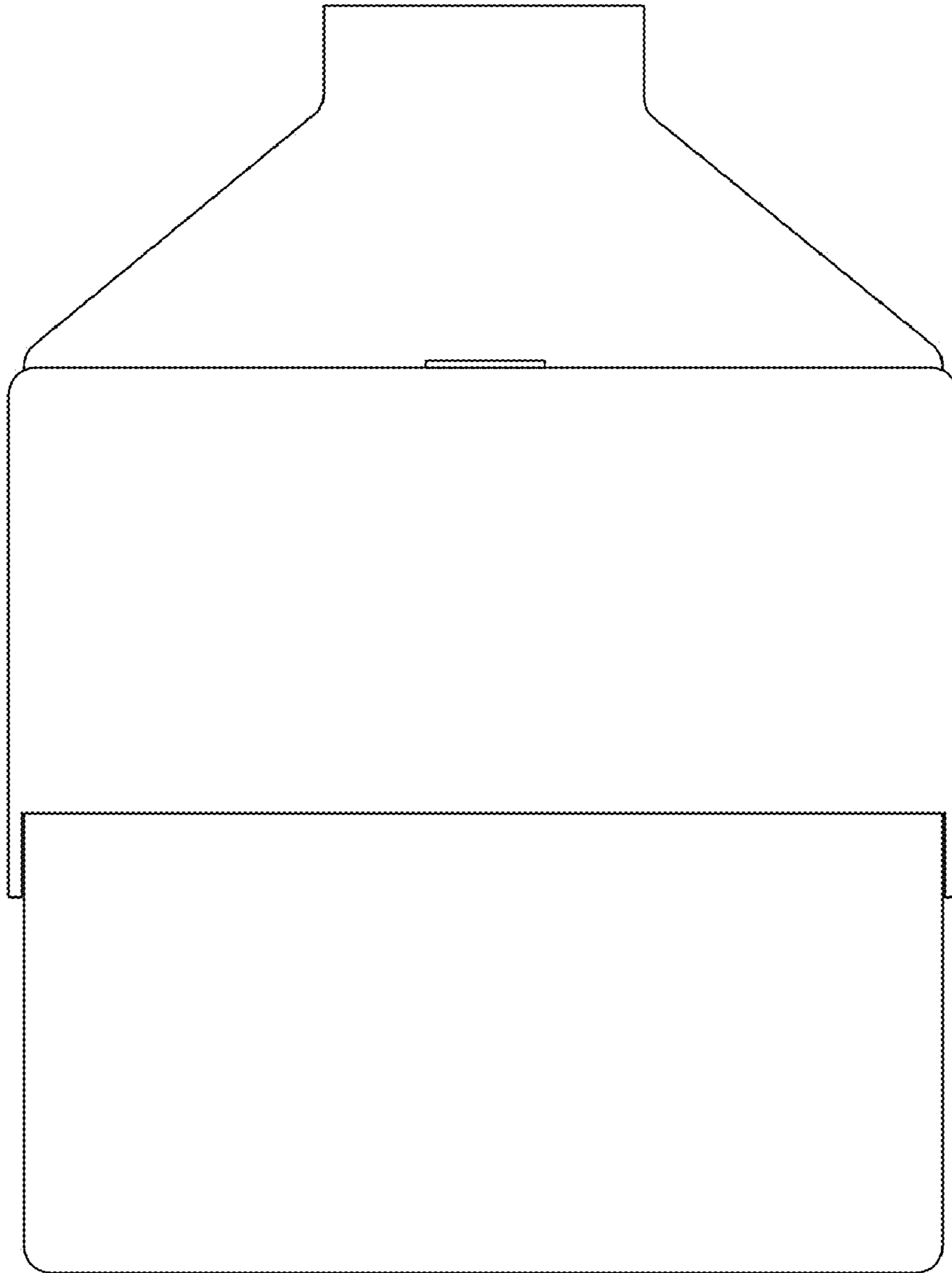


FIG. 2

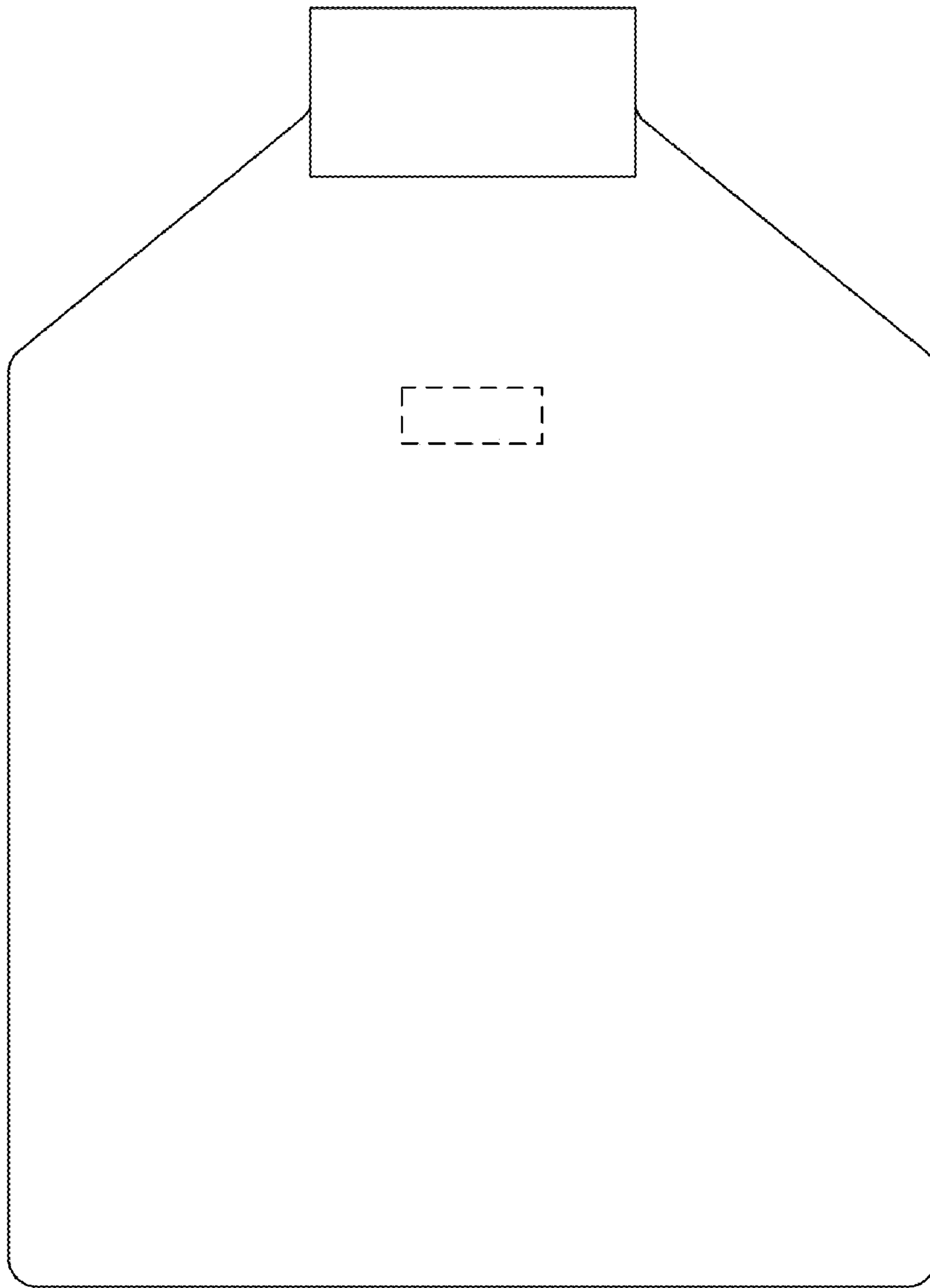


FIG. 3

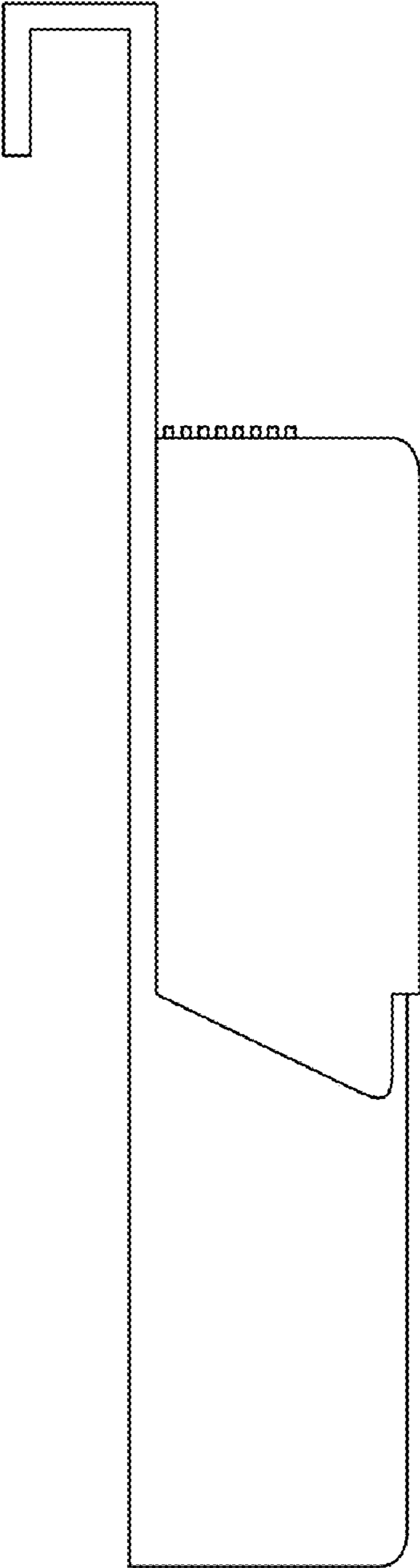


FIG. 4

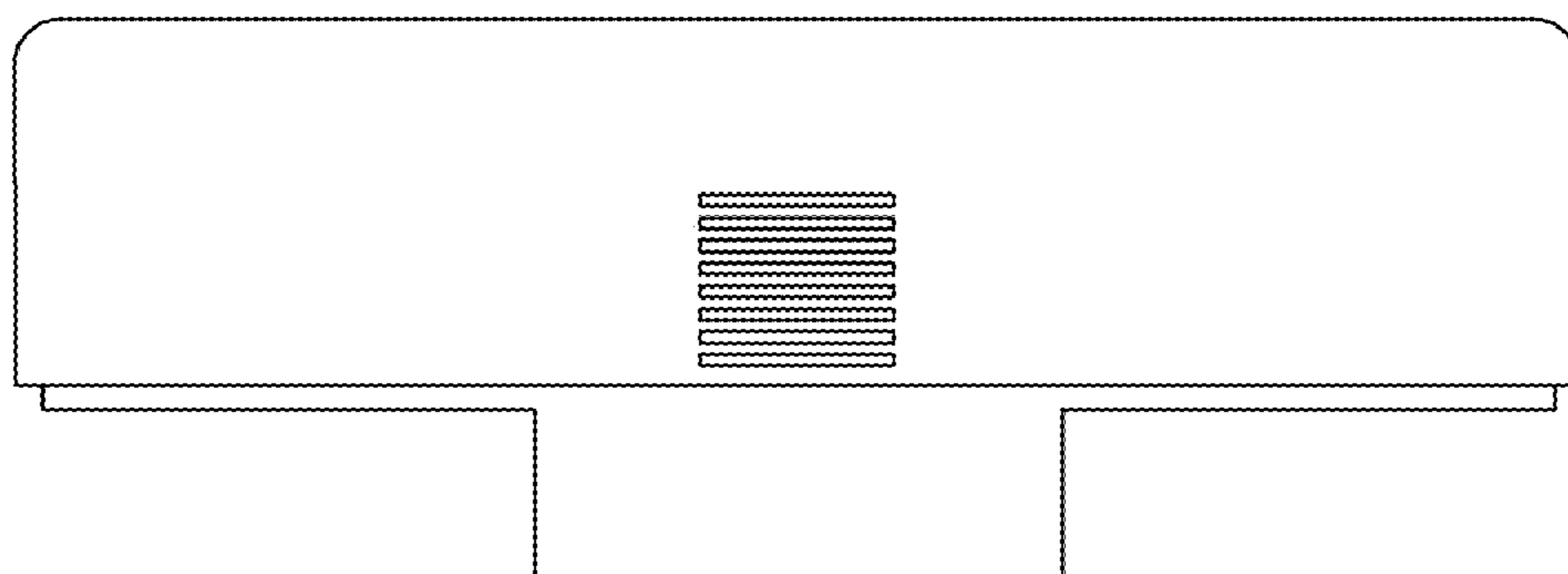


FIG. 5

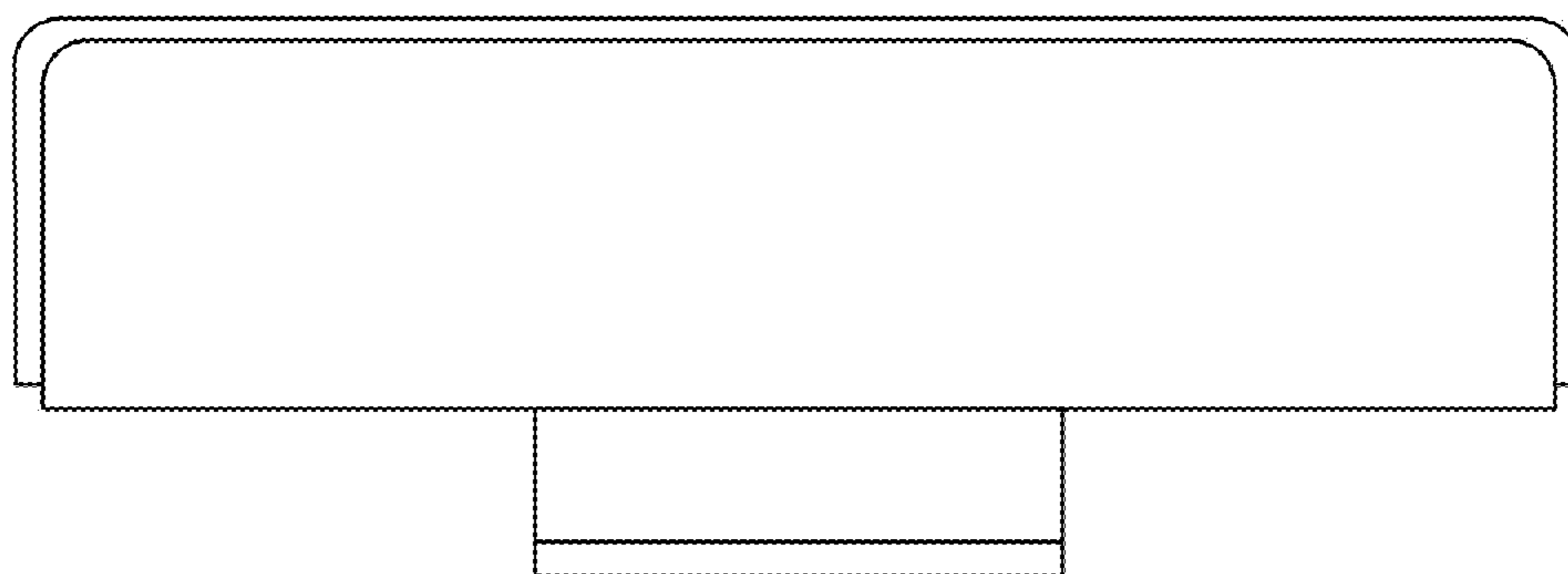


FIG. 6

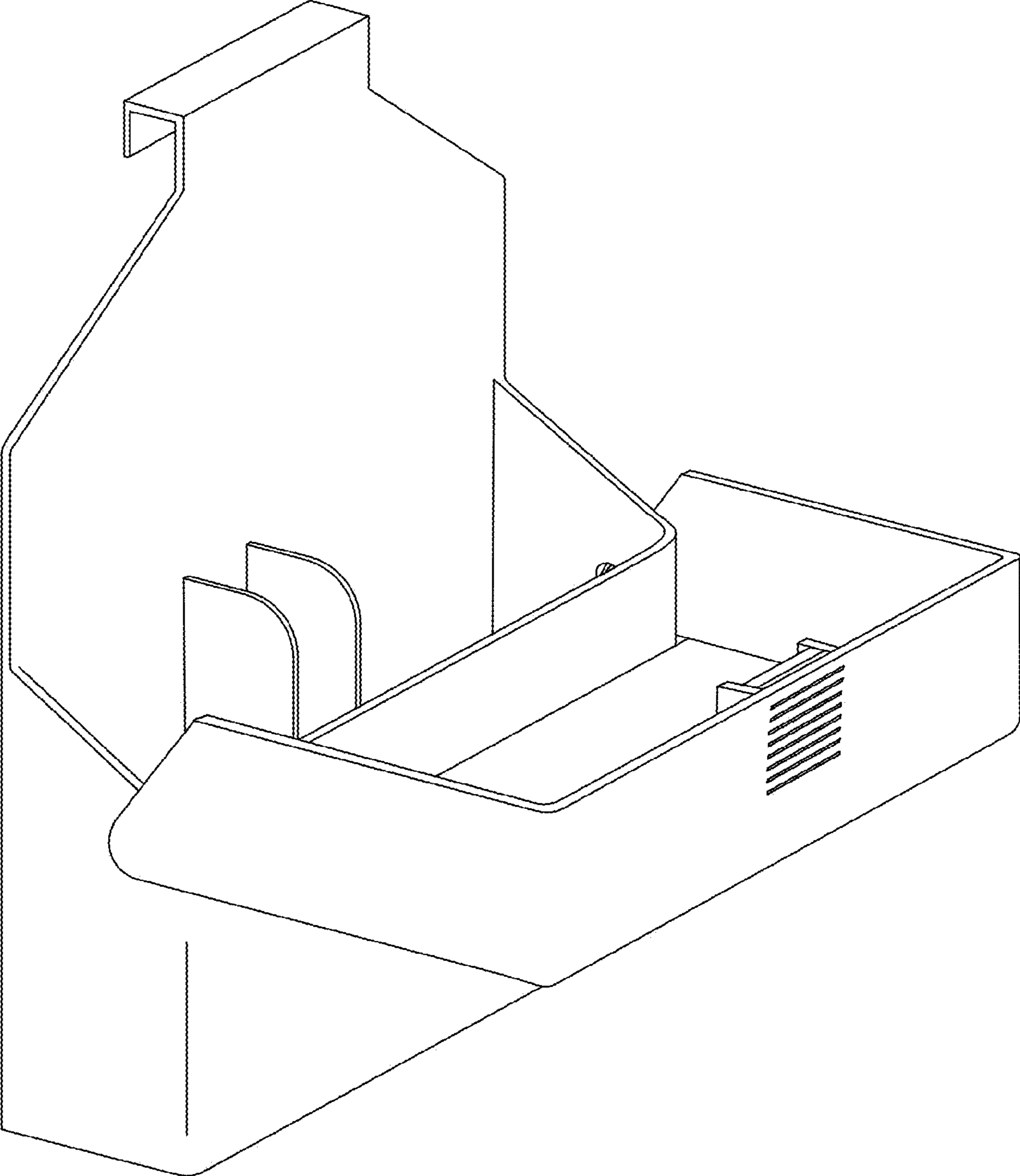


FIG. 7

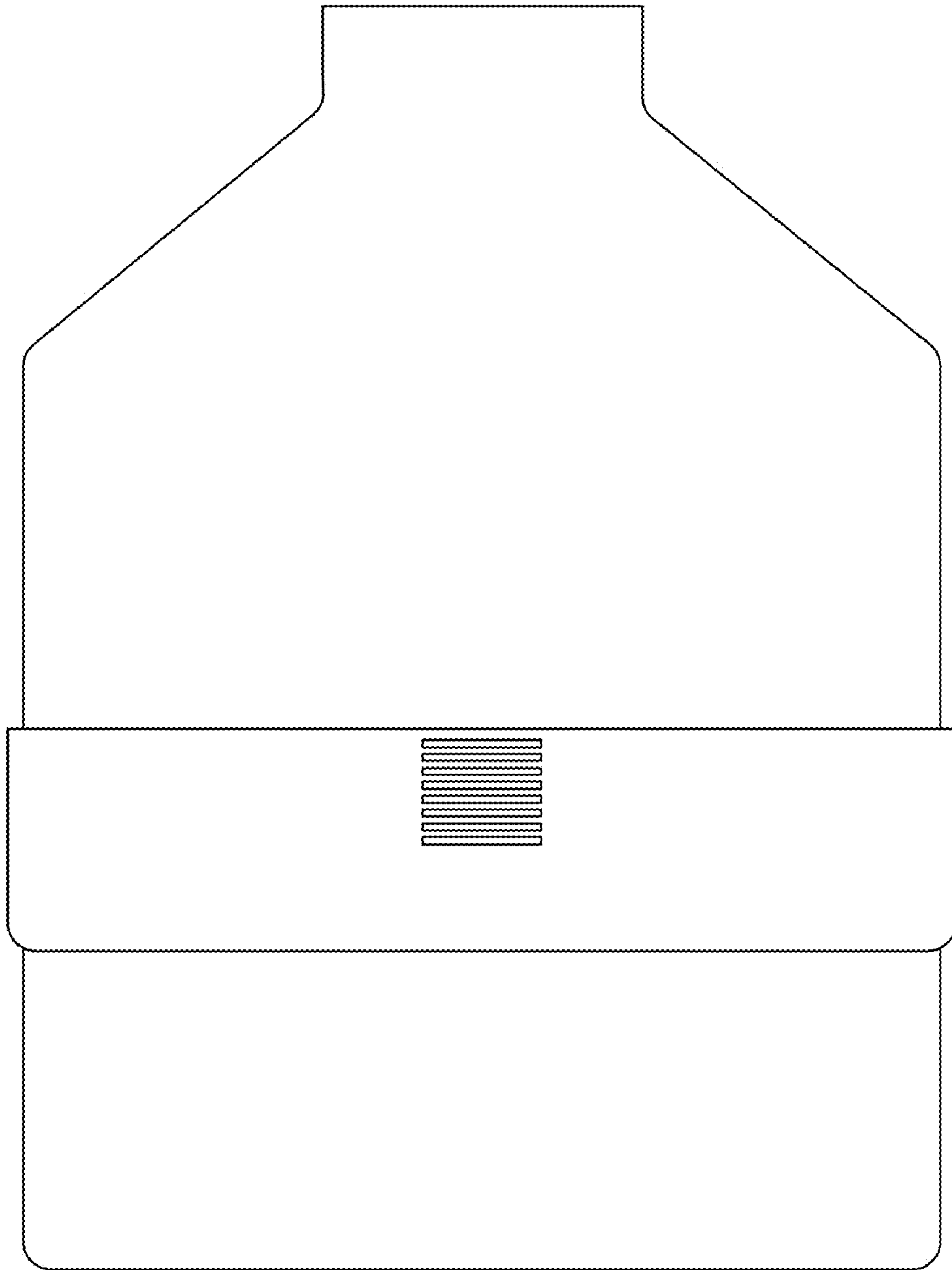


FIG. 8

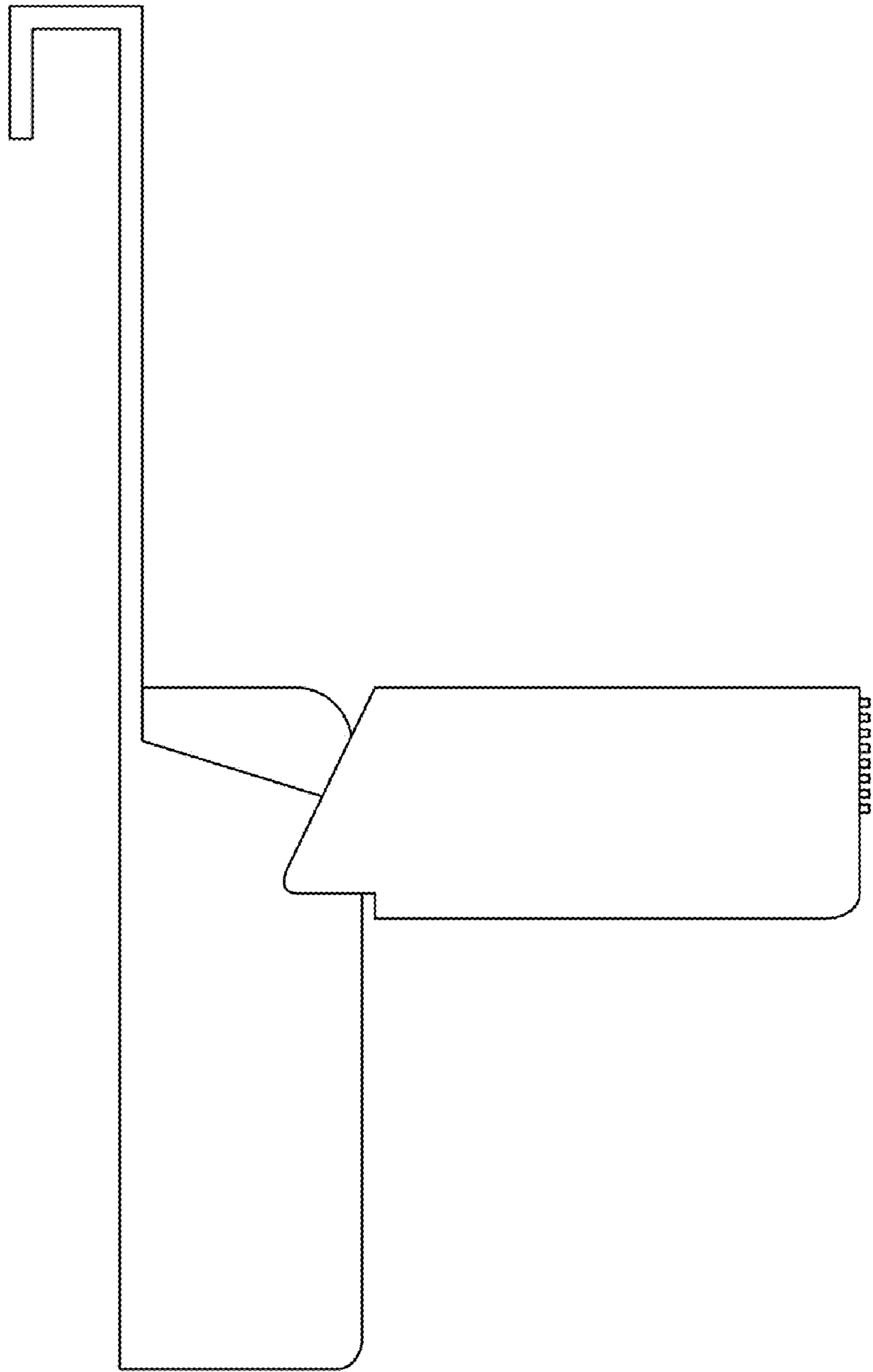


FIG. 9

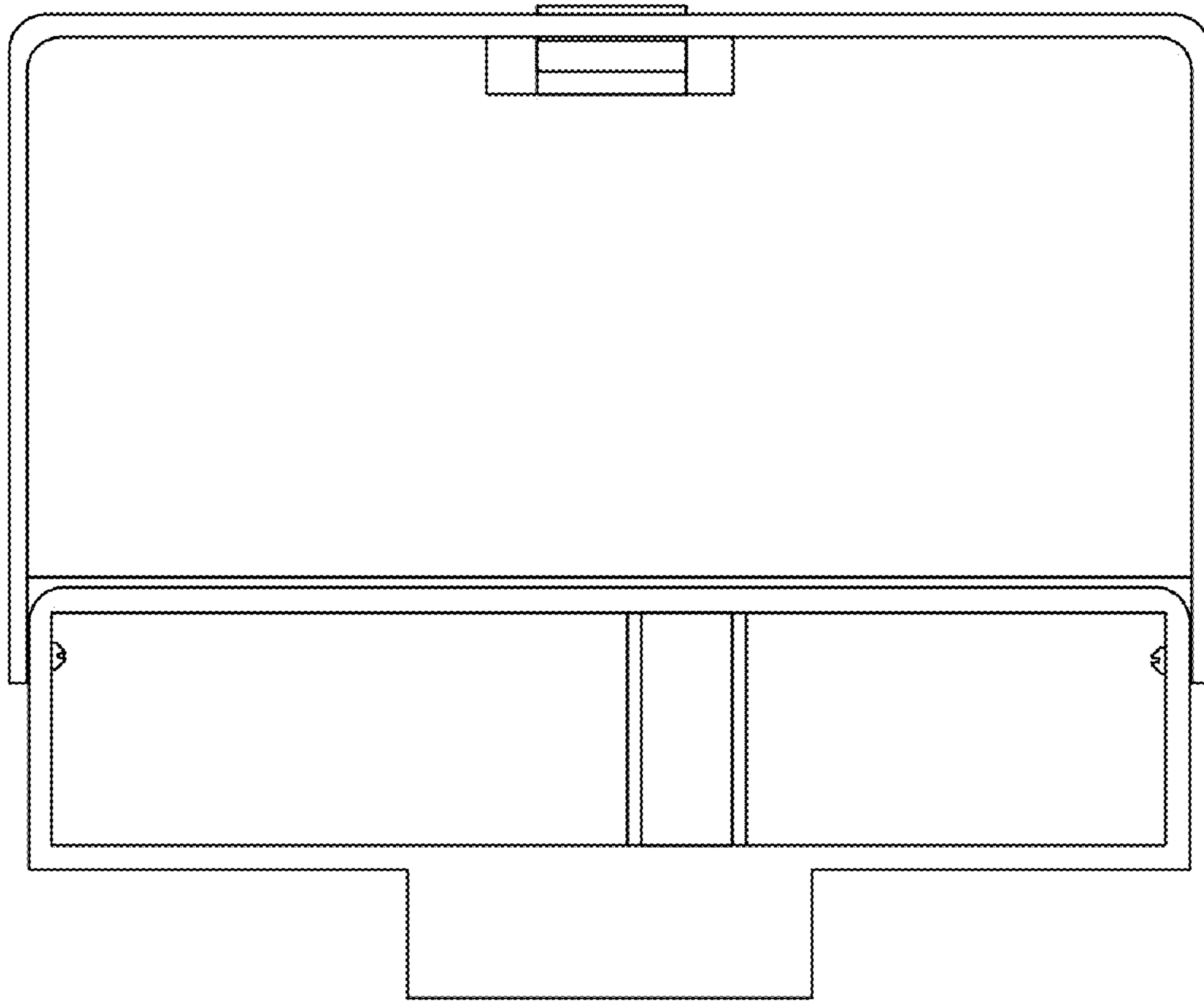


FIG. 10

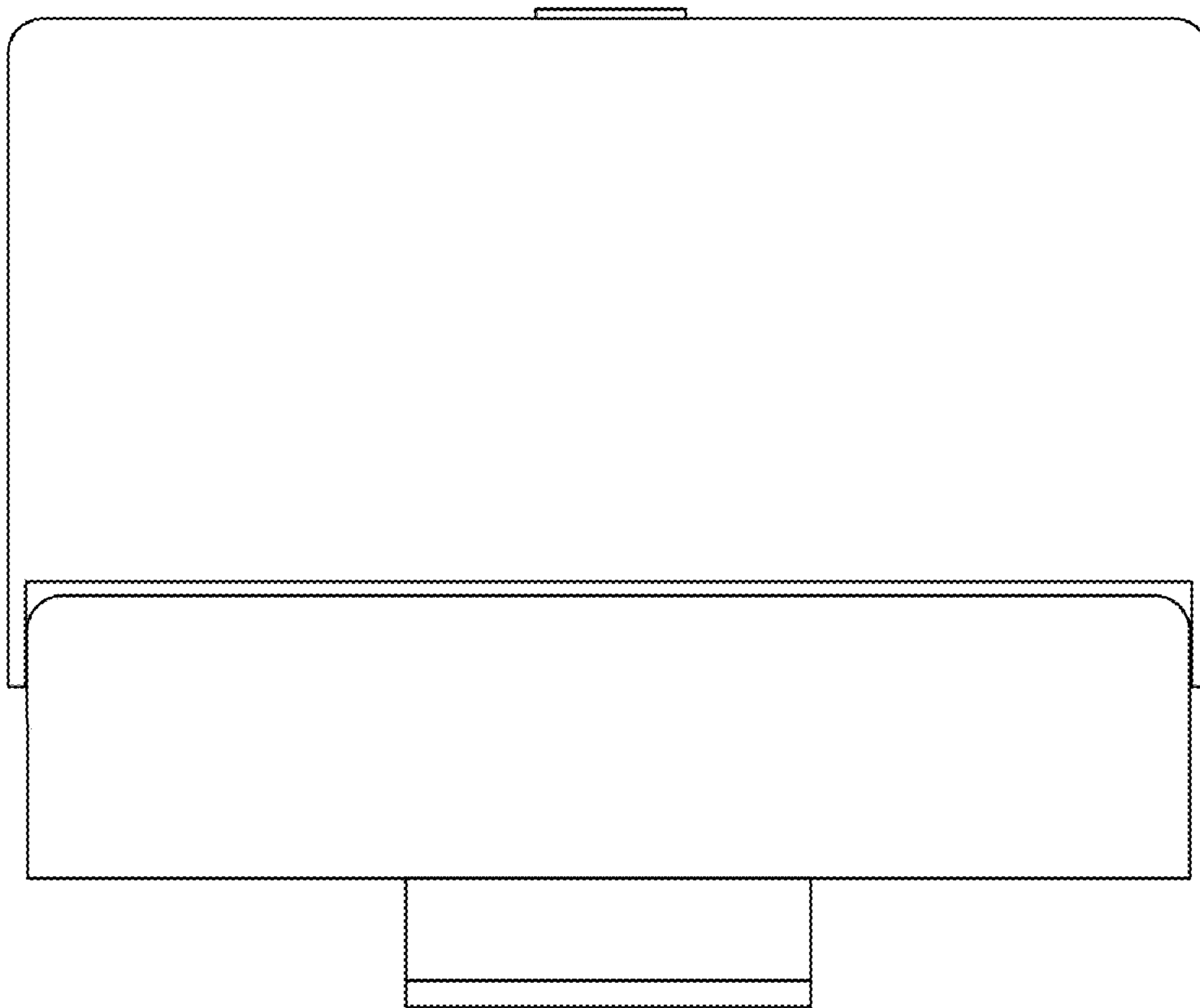


FIG. 11