



US00D679117S

(12) **United States Design Patent**
Werner et al.

(10) **Patent No.:** **US D679,117 S**
(45) **Date of Patent:** **** Apr. 2, 2013**

(54) **MULTIPLE GUITAR STAND**

(75) Inventors: **Klaus Werner**, Wertheim-Hofgarten
(DE); **Helmut Lippert**, Faulbach
Ot-Breitenbrunn (DE)

(73) Assignee: **Koenig & Meyer GmbH & Co. KG**,
Wertheim (DE)

(**) Term: **14 Years**

(21) Appl. No.: **29/405,818**

(22) Filed: **Nov. 7, 2011**

(30) **Foreign Application Priority Data**

Sep. 14, 2011 (EM) 001293203-0001
Sep. 14, 2011 (EM) 001293203-0002

(51) **LOC (9) Cl.** **06-04**

(52) **U.S. Cl.** **D6/467**

(58) **Field of Classification Search** D6/395,
D6/396, 449, 450, 453-469; 211/1, 2, 13.1,
211/44, 45, 72, 85.2, 85.5, 85.6, 85.8, 85.14,
211/85.31, 86.01, 189; D17/20; 84/327;
248/166

See application file for complete search history.

(56) **References Cited**

U.S. PATENT DOCUMENTS

D44,078 S * 5/1913 Treadway D6/468
2,058,184 A * 10/1936 Sherrard 211/85.6

D162,207 S * 2/1951 Mettenleiter D6/467
3,550,786 A * 12/1970 Brown 211/189
6,296,213 B1 * 10/2001 Law et al. 248/166
D464,508 S * 10/2002 Wilfer D6/462
D650,611 S * 12/2011 Melhart D6/467
2009/0184074 A1 * 7/2009 Jacobson et al. 211/85.6

* cited by examiner

Primary Examiner — Mary Ann Calabrese

(74) *Attorney, Agent, or Firm* — Greenblum & Bernstein,
P.L.C.

(57) **CLAIM**

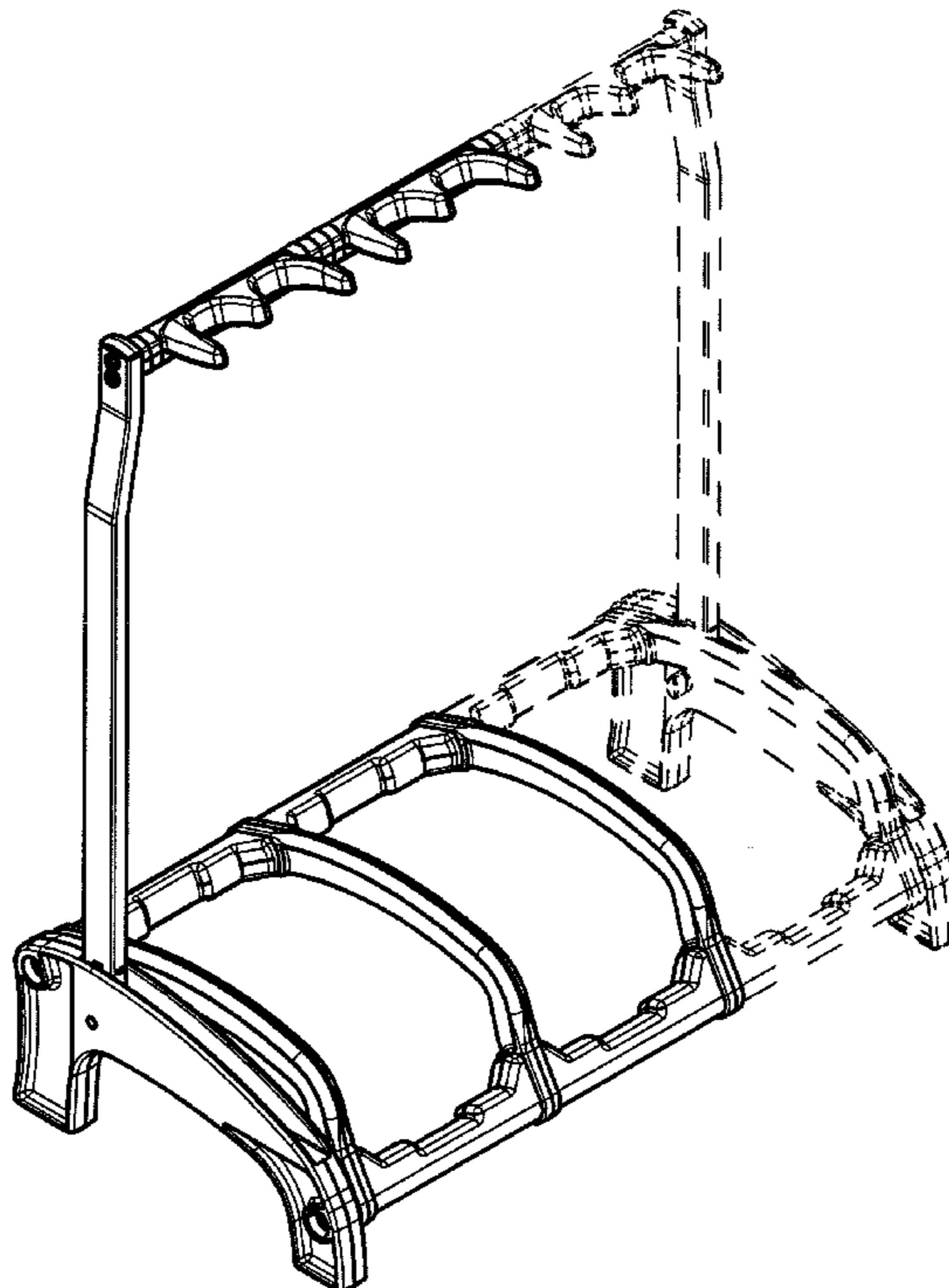
I claim the ornamental design for a multiple guitar stand, as
shown and described.

DESCRIPTION

FIG. 1 is a multiple guitar stand in perspective view for 3 or
more guitars;
FIG. 2 is a perspective view of the stand depicted in FIG. 1 in
an alternate transport condition;
FIG. 3 is a front view of the stand depicted in FIG. 1;
FIG. 4 is a side view of the stand depicted in FIG. 1;
FIG. 5 is a plan view of the stand depicted in FIG. 1; and,
FIG. 6 is a side view of the stand depicted in FIG. 1 in an
alternate transport condition.

Any surfaces of the design not shown, including interior
surfaces, and the subject matter of any portions currently
shown in in dashed lines form no part of the claimed inven-
tion.

1 Claim, 6 Drawing Sheets



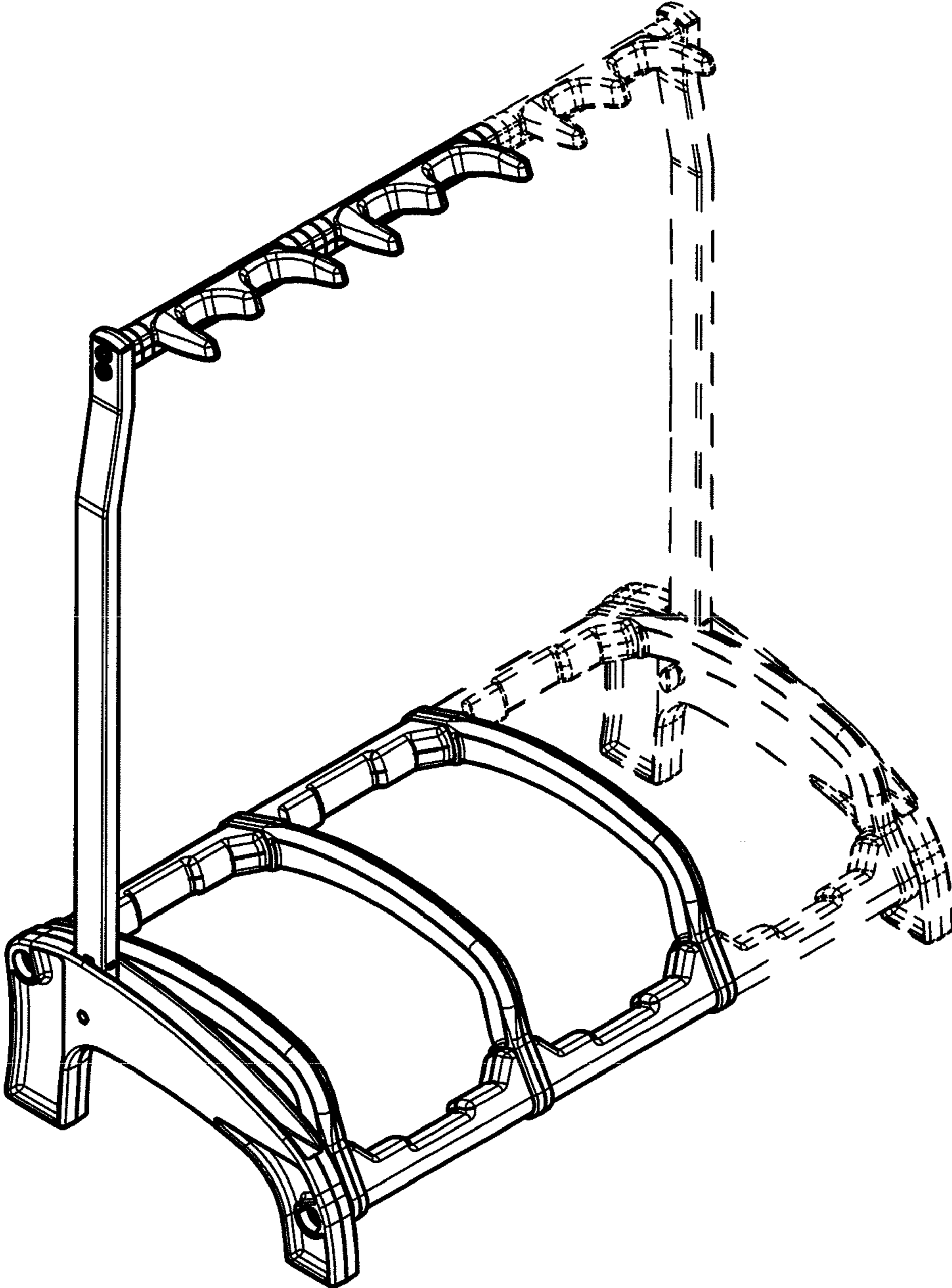


Fig. 1

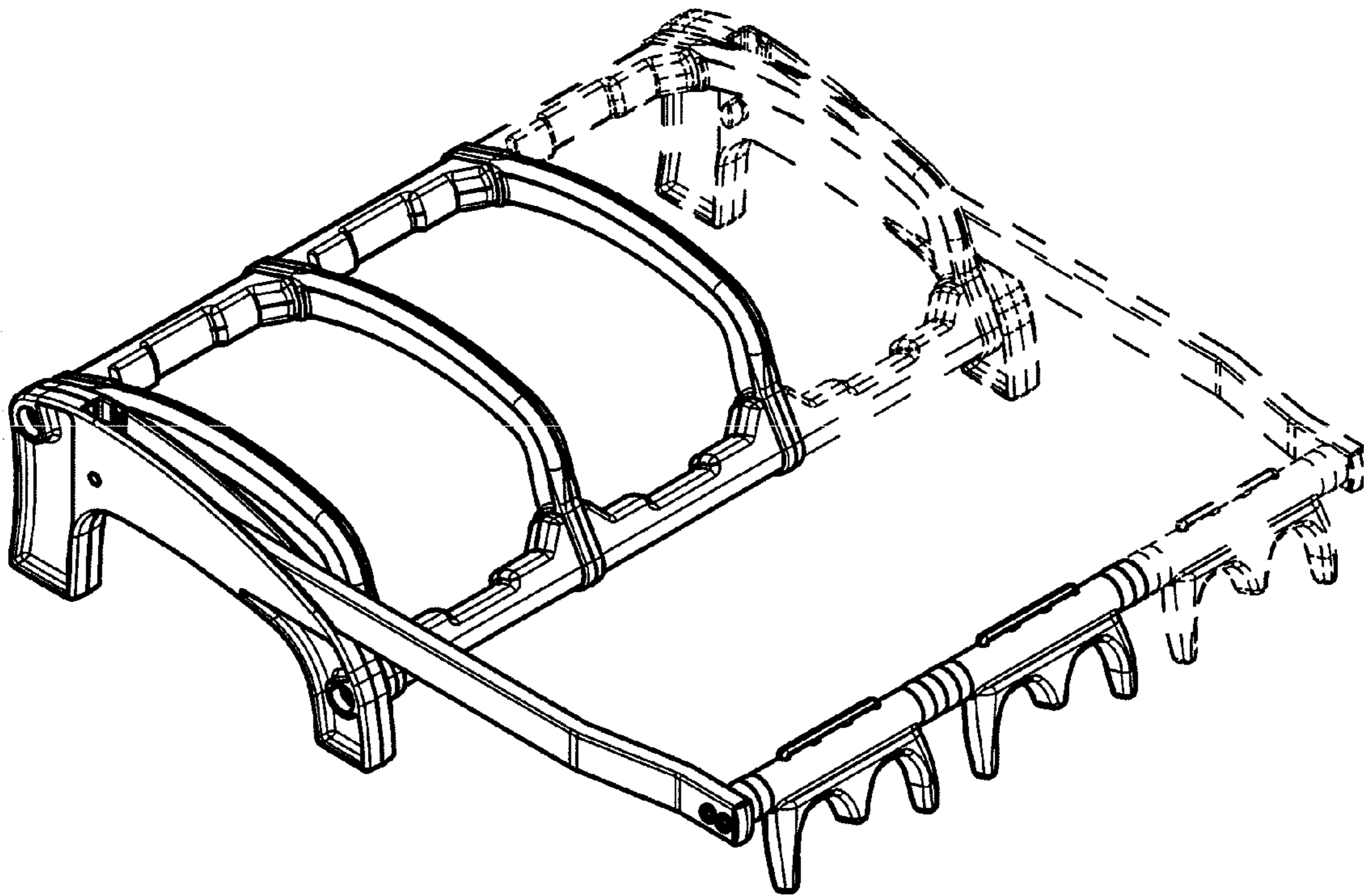


Fig. 2

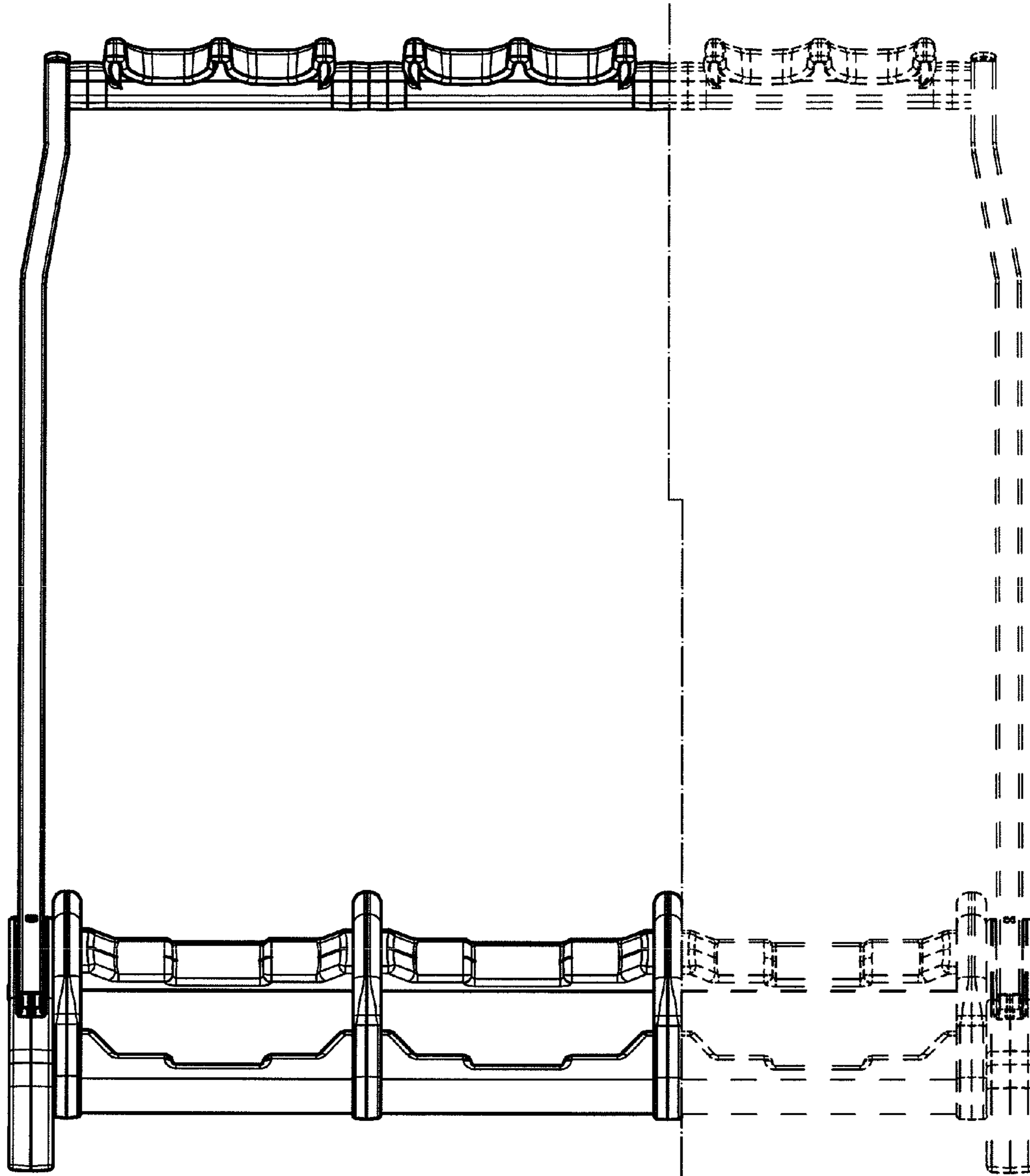


Fig. 3

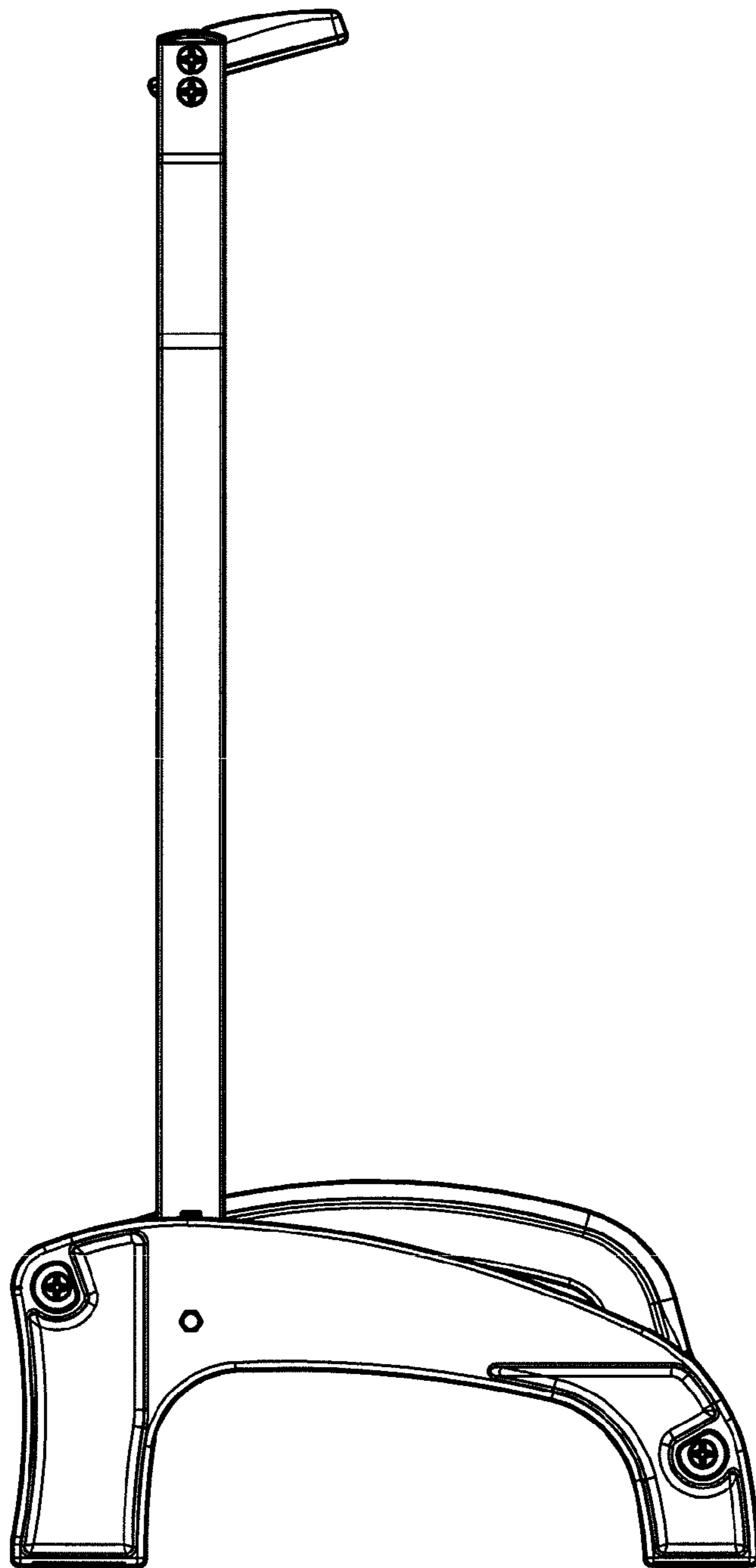


Fig. 4

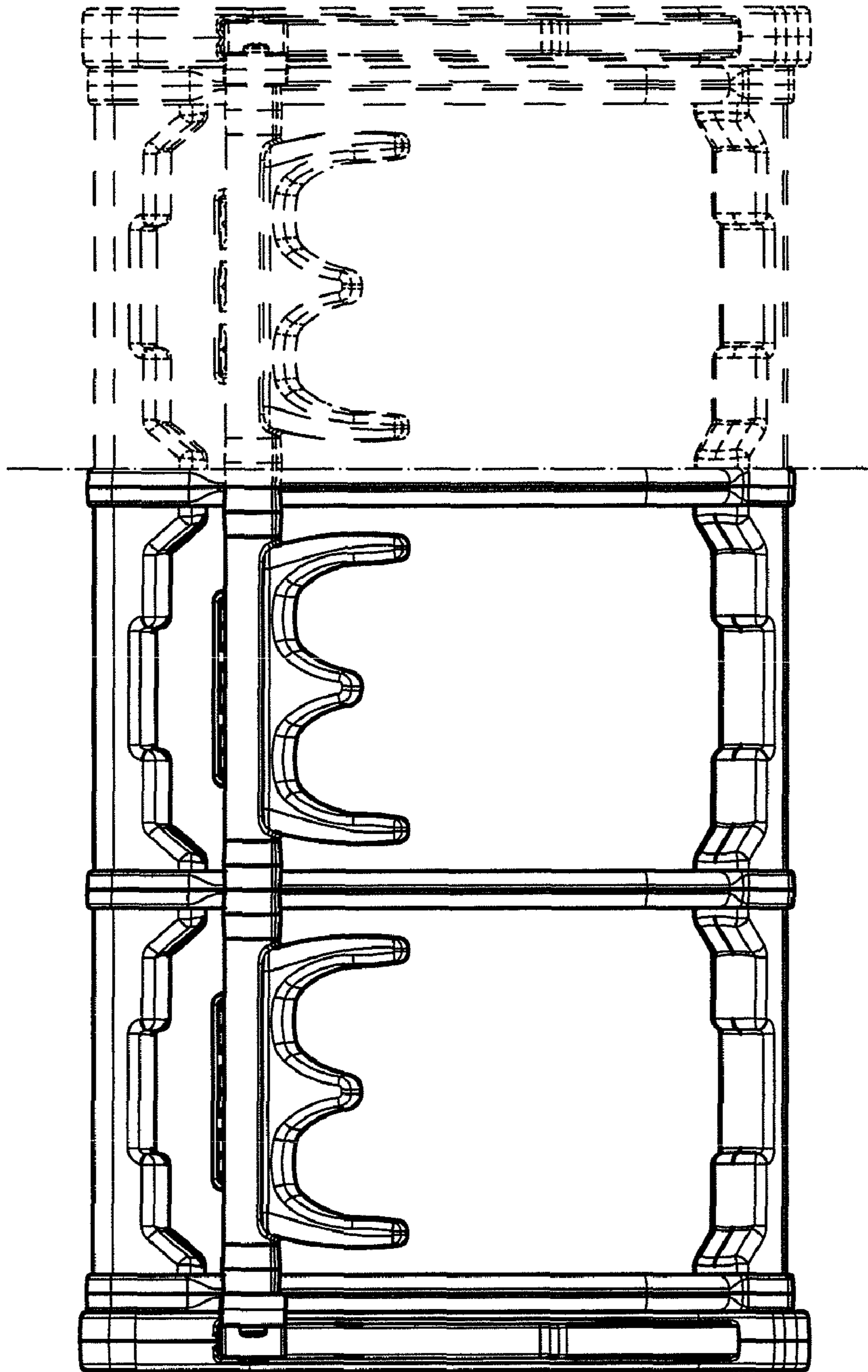


Fig. 5

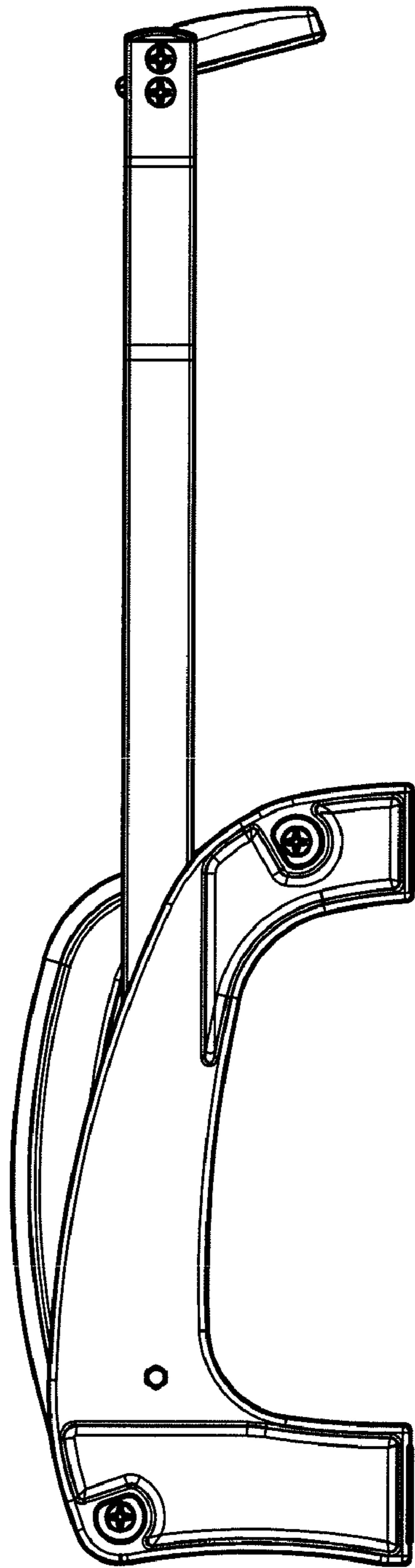


Fig. 6