



US00D679113S

(12) **United States Design Patent**
Frnier

(10) **Patent No.:** **US D679,113 S**

(45) **Date of Patent:** **** Apr. 2, 2013**

(54) **CHAIR**

(75) Inventor: **Richard Frnier**, Long Beach, CA (US)

(73) Assignee: **Dedon GmbH**, Luneburg (DE)

(**) Term: **14 Years**

(21) Appl. No.: **29/389,604**

(22) Filed: **Apr. 14, 2011**

(30) **Foreign Application Priority Data**

Apr. 11, 2011 (EM) 001849100-0008

(51) **LOC (9) Cl.** **06-01**

(52) **U.S. Cl.** **D6/371**

(58) **Field of Classification Search** D6/334-336,
D6/361, 367-373, 374-375, 379-380; 297/284.4,
297/391, 396, 441.27, 452.13, 452.21, 452.29,
297/452.3

See application file for complete search history.

(56) **References Cited**

U.S. PATENT DOCUMENTS

D335,035 S * 4/1993 Floyd D6/361
D425,714 S * 5/2000 Sabo D6/361
D515,324 S * 2/2006 Grosfillex D6/361

D531,828 S * 11/2006 Frnier D6/361
D533,727 S * 12/2006 Frnier D6/361
D545,581 S * 7/2007 Gower D6/361
D562,578 S * 2/2008 Weiss D6/361
D565,851 S * 4/2008 Marin D6/361
D572,922 S * 7/2008 Frnier D6/361
D572,931 S * 7/2008 Frnier D6/375
D651,012 S * 12/2011 Lenney D6/369
D657,969 S * 4/2012 Nguyen D6/361

* cited by examiner

Primary Examiner — Kelley Donnelly

(74) *Attorney, Agent, or Firm* — C. Brandon Browning;
Maynard Cooper & Gale, PC

(57) **CLAIM**

The ornamental design for a chair, as shown and described.

DESCRIPTION

FIG. 1 is a front perspective view of a chair in accordance with the present invention.

FIG. 2 is a front elevational view of the chair of FIG. 1.

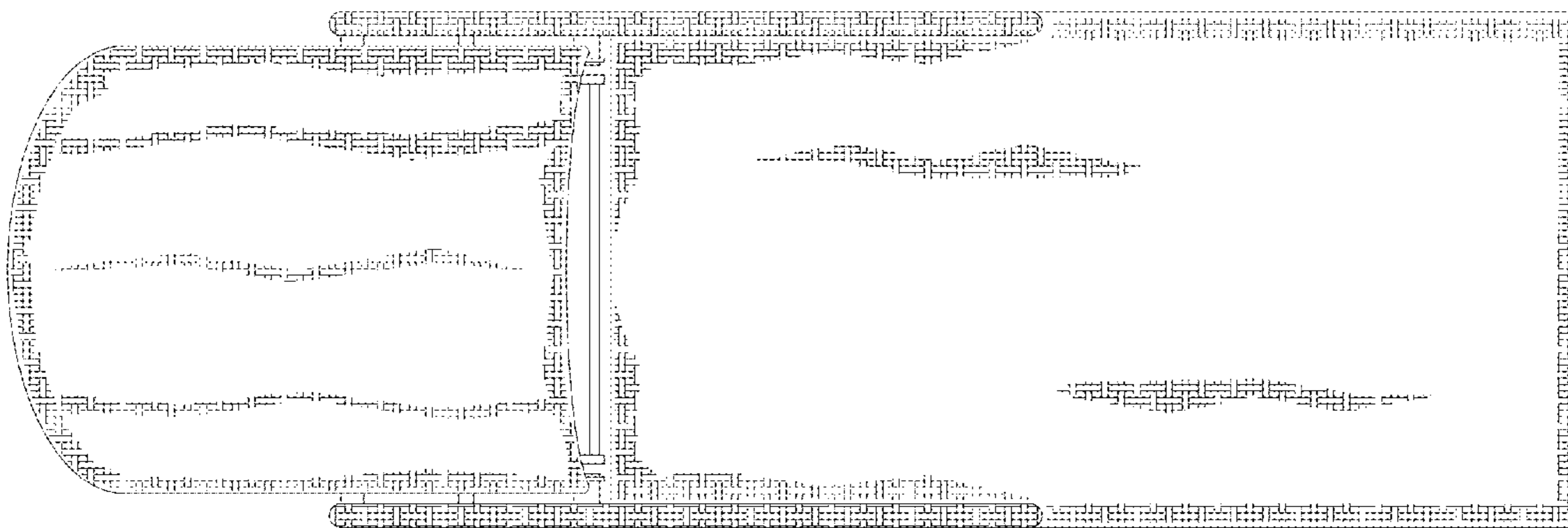
FIG. 3 is a side elevational view of the chair of FIG. 1.

FIG. 4 is a rear elevational view of the chair of FIG. 1; and,

FIG. 5 is a top plan view of the chair of FIG. 1.

The weave pattern is shown on only some parts of the surface for convenience, but is understood to be distributed uniformly over the entire surface.

1 Claim, 5 Drawing Sheets



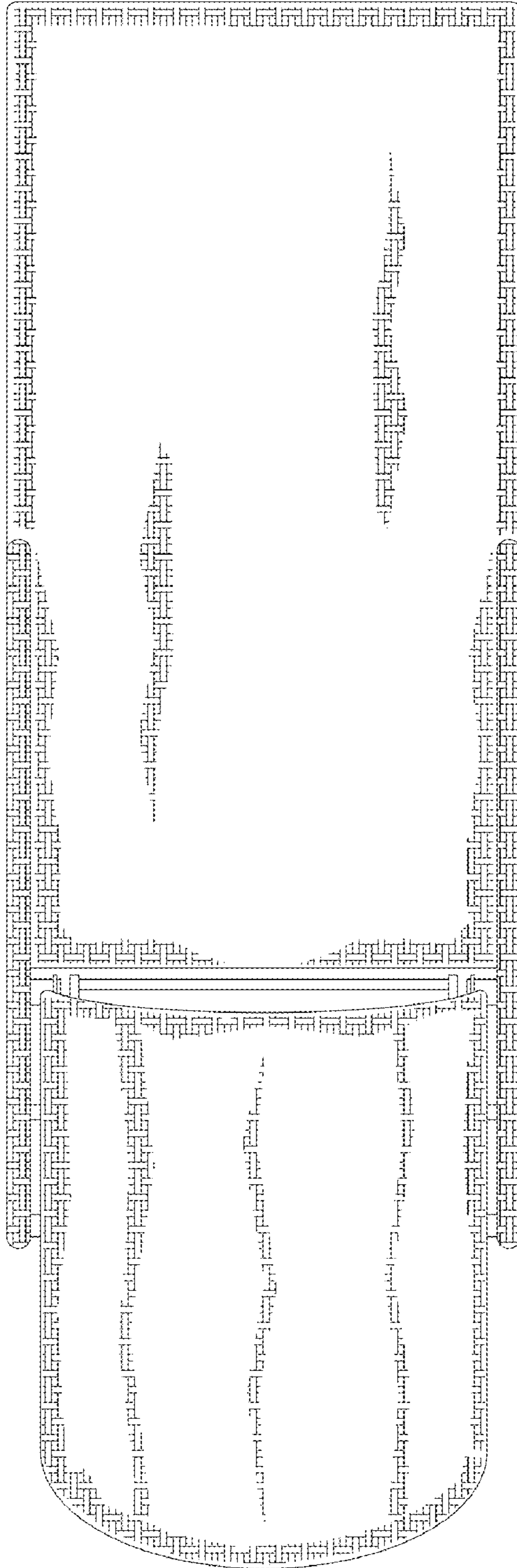


FIG. 1

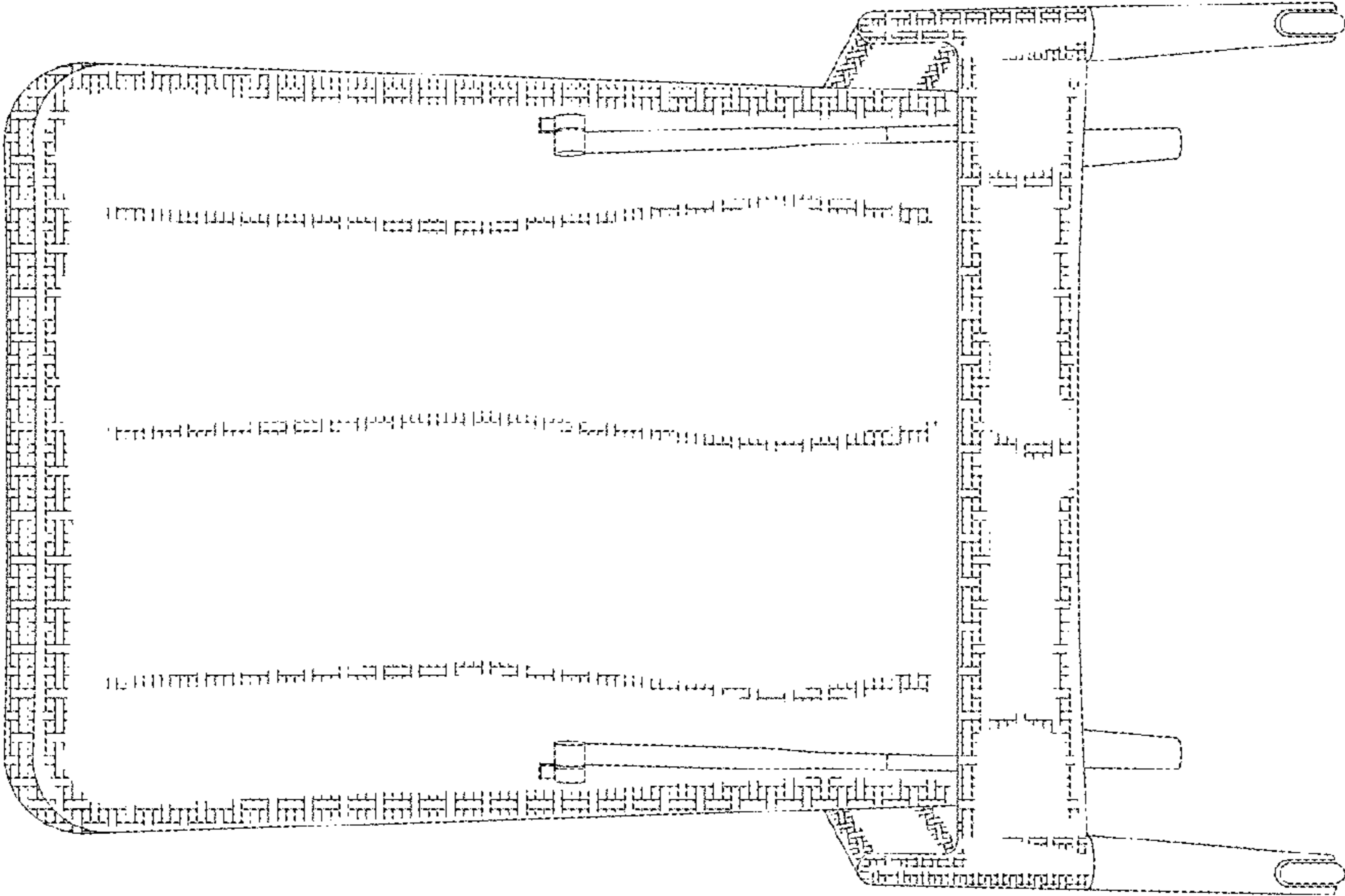


FIG. 2

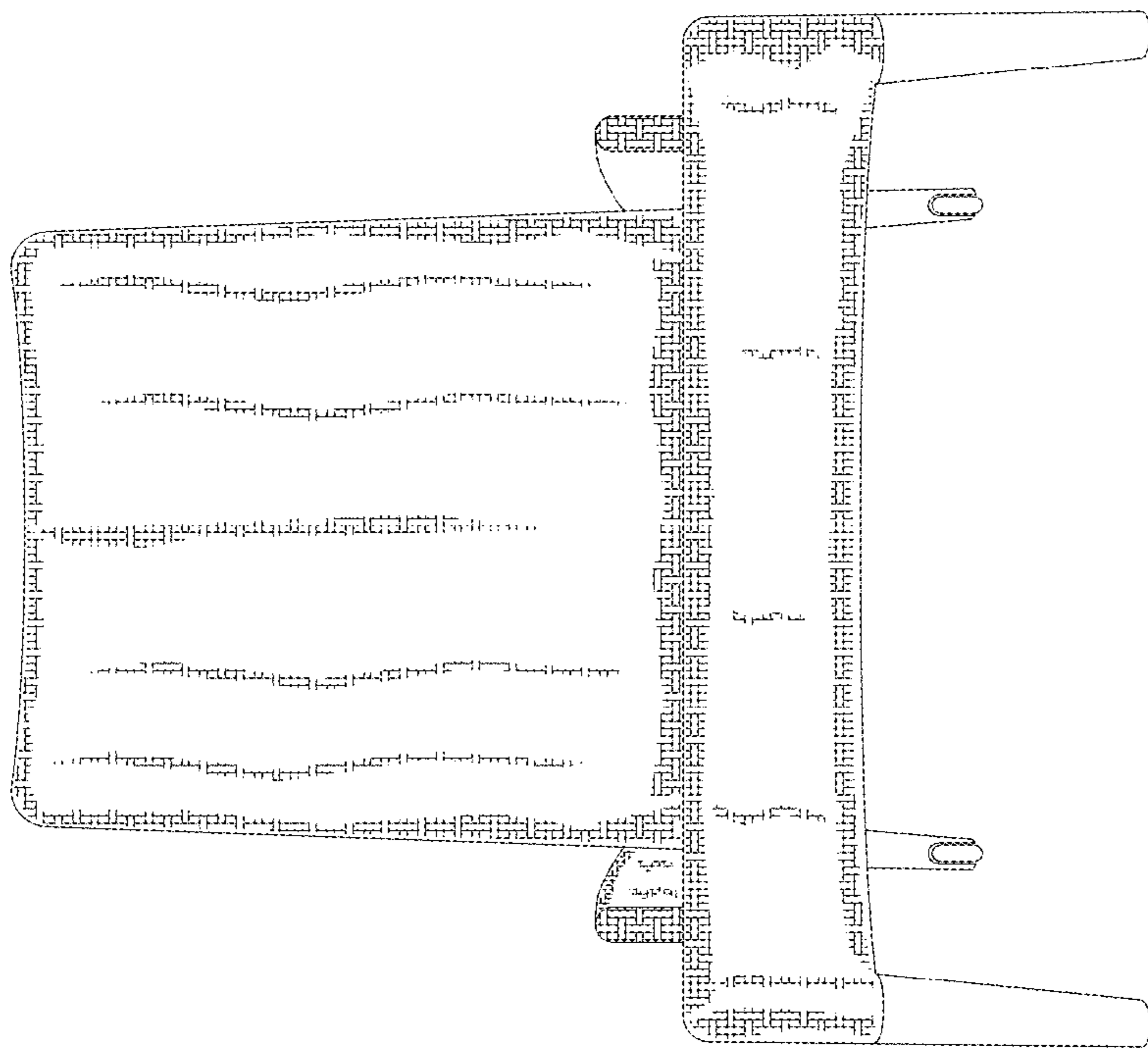


FIG. 3

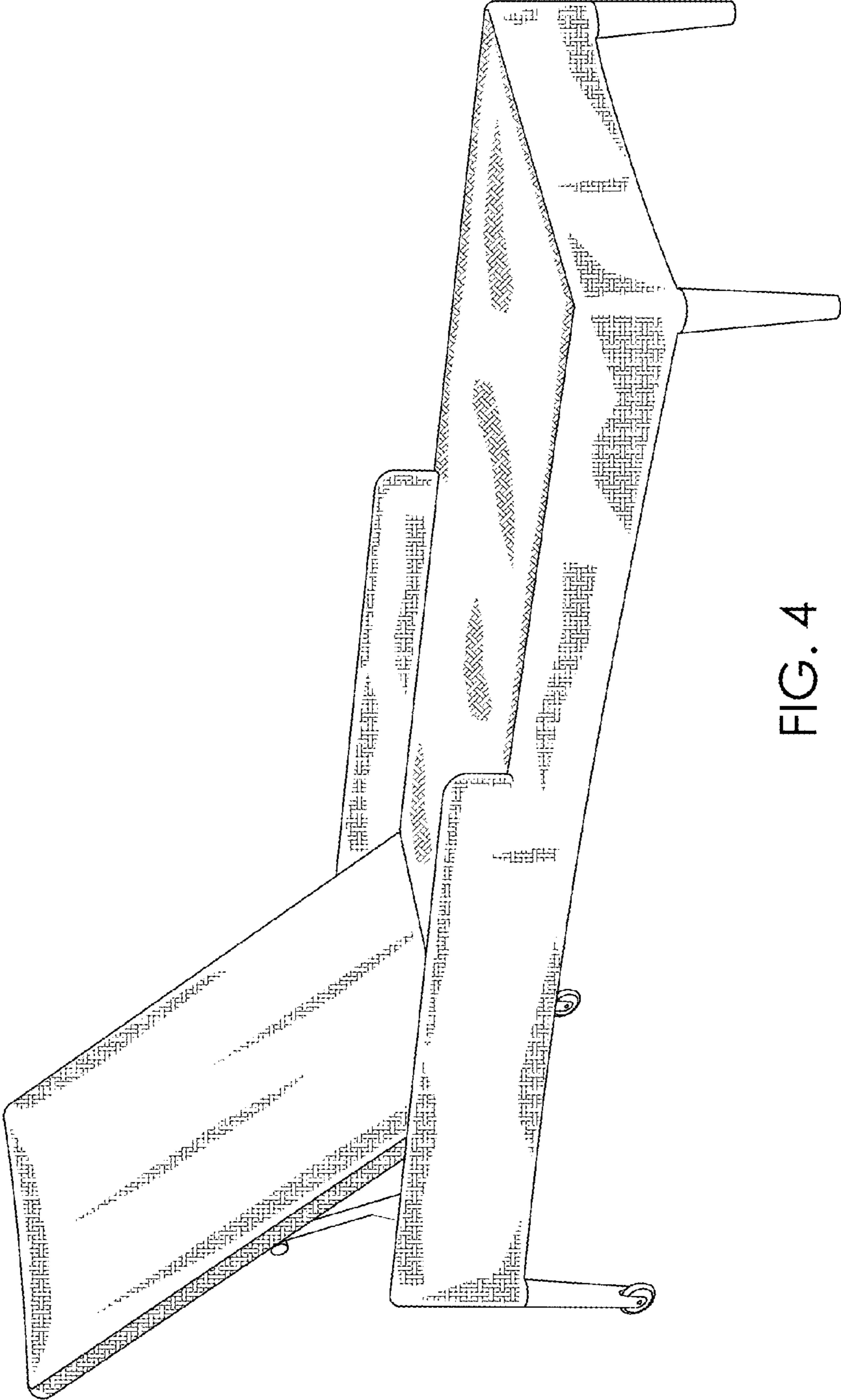


FIG. 4

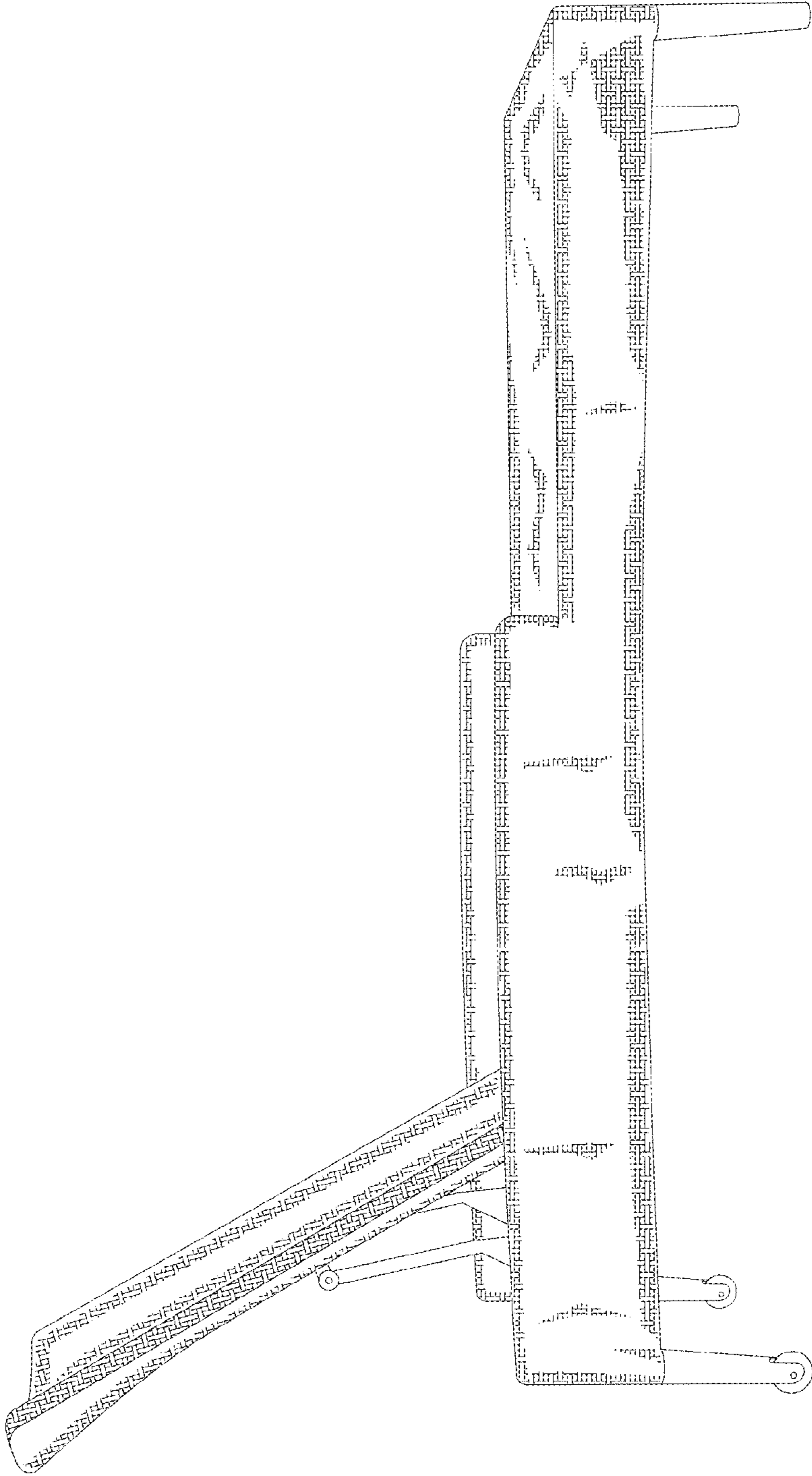


FIG. 5