



US00D679107S

(12) **United States Design Patent**  
**Darrow et al.**

(10) **Patent No.:** **US D679,107 S**  
(45) **Date of Patent:** **\*\* Apr. 2, 2013**

(54) **OFFICE CHAIR**

(75) Inventors: **Rebecca Darrow**, Zeeland, MI (US);  
**James D. Harris**, Hudsonville, MI (US);  
**John Colasanti**, Jenison, MI (US);  
**Mark Wiese**, Ahlen (DE); **Michael**  
**Walter Welsh**, Rockford, MI (US);  
**Peter T. LaDuke**, Holland, MI (US);  
**Steve J. Nemeth, Jr.**, South Bend, IN  
(US); **Wilfried Vorlop**, Drensteinfurt  
(DE); **Wilhelm Schulz**, Preußisch  
Oldendorf (DE); **Kermit Anderson**,  
Holland, MI (US); **Jesse Pentecost**,  
Holland, MI (US); **Lauren Johnson**,  
Hudsonville, MI (US); **Robert Meloche**,  
Holland, MI (US)

(73) Assignee: **Haworth, Inc.**, Holland, MI (US)

(\*\*) Term: **14 Years**

(21) Appl. No.: **29/422,080**

(22) Filed: **May 16, 2012**

(51) **LOC (9) Cl.** ..... **06-01**

(52) **U.S. Cl.** ..... **D6/366**

(58) **Field of Classification Search** ..... D6/334-336,  
D6/364, 366, 367, 374, 379, 380, 498, 500-502;  
297/284.4, 411.27, 452.21, 452.29, 452.3,  
297/452.32, 452.35, 452.48

See application file for complete search history.

(56) **References Cited**

**U.S. PATENT DOCUMENTS**

|              |         |               |       |        |
|--------------|---------|---------------|-------|--------|
| D546,594 S * | 7/2007  | Kane et al.   | ..... | D6/500 |
| D548,992 S * | 8/2007  | Koepke et al. | ..... | D6/366 |
| D550,975 S * | 9/2007  | Meda          | ..... | D6/366 |
| D557,027 S * | 12/2007 | Hara          | ..... | D6/366 |
| D558,476 S * | 1/2008  | Kane et al.   | ..... | D6/366 |

|              |        |                  |       |        |
|--------------|--------|------------------|-------|--------|
| D558,994 S * | 1/2008 | Machael et al.   | ..... | D6/366 |
| D568,625 S * | 5/2008 | Klaasen et al.   | ..... | D6/366 |
| D570,624 S * | 6/2008 | Kang             | ..... | D6/500 |
| D607,653 S * | 1/2010 | Wilkinson et al. | ..... | D6/366 |
| D613,088 S * | 4/2010 | Fujita           | ..... | D6/366 |
| D654,280 S * | 2/2012 | Fujita           | ..... | D6/366 |
| D654,710 S * | 2/2012 | Fujita           | ..... | D6/366 |
| D654,711 S * | 2/2012 | Fujita           | ..... | D6/366 |

\* cited by examiner

*Primary Examiner* — Mimoso De

(74) *Attorney, Agent, or Firm* — Warner Norcross & Judd LLP

(57) **CLAIM**

We claim the ornamental design for an office chair, as shown and described.

**DESCRIPTION**

FIG. 1 is a perspective view of an office chair according to one embodiment of the new design;

FIG. 2 is a right side view, the left side being a mirror image thereof;

FIG. 3 is a front view thereof;

FIG. 4 is a rear view thereof;

FIG. 5 is a top view thereof;

FIG. 6 is a bottom view thereof;

FIG. 7 is a perspective view of an office chair according to a second embodiment of the new design;

FIG. 8 is a right side view, the left side being a mirror image thereof;

FIG. 9 is a front view thereof;

FIG. 10 is a rear view thereof;

FIG. 11 is a top view thereof; and,

FIG. 12 is a bottom view thereof.

FIGS. 1-12 show portions of the office chair in broken lines. The portions shown in broken lines form no part of the claimed design.

**1 Claim, 12 Drawing Sheets**

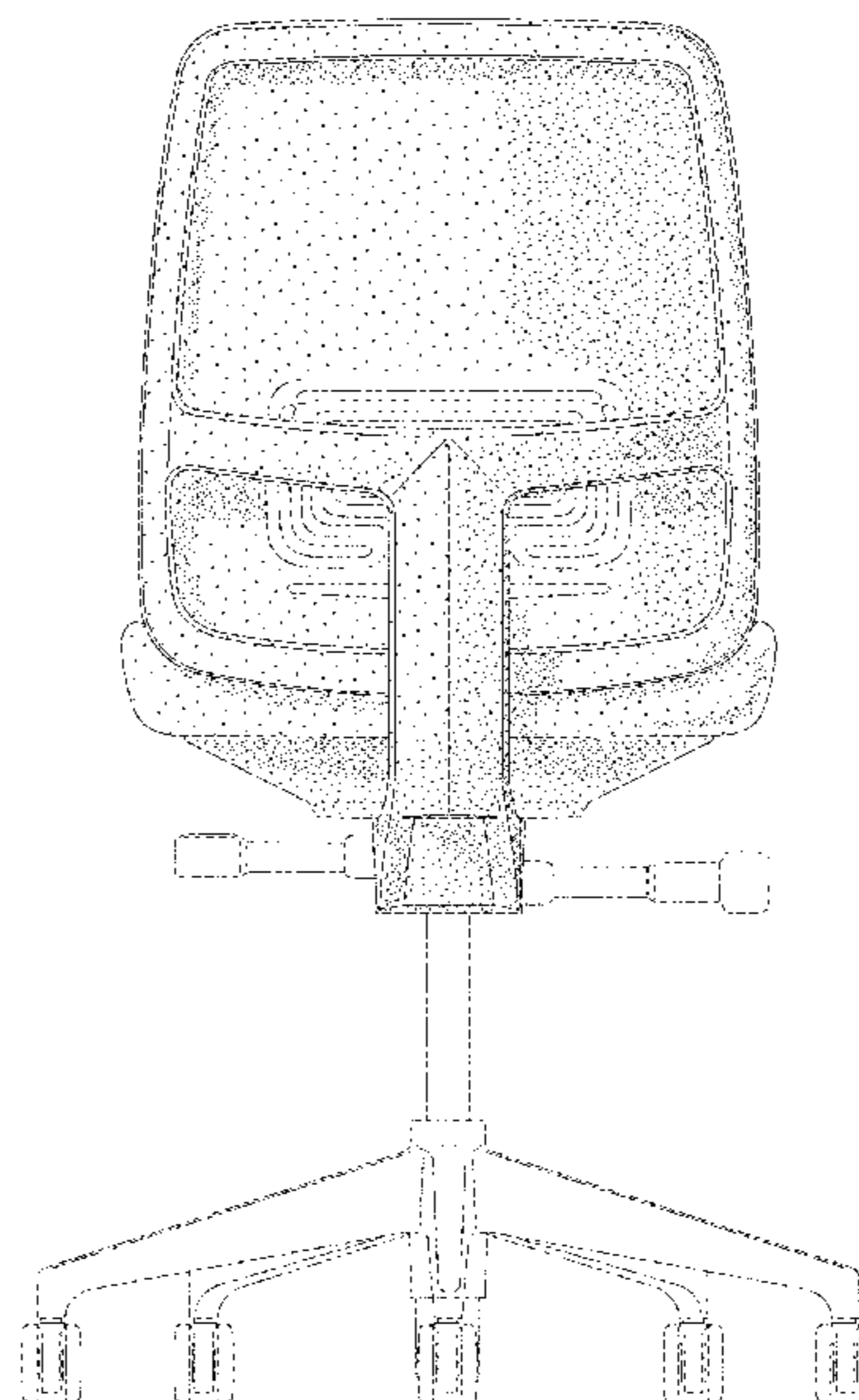




Fig. 1

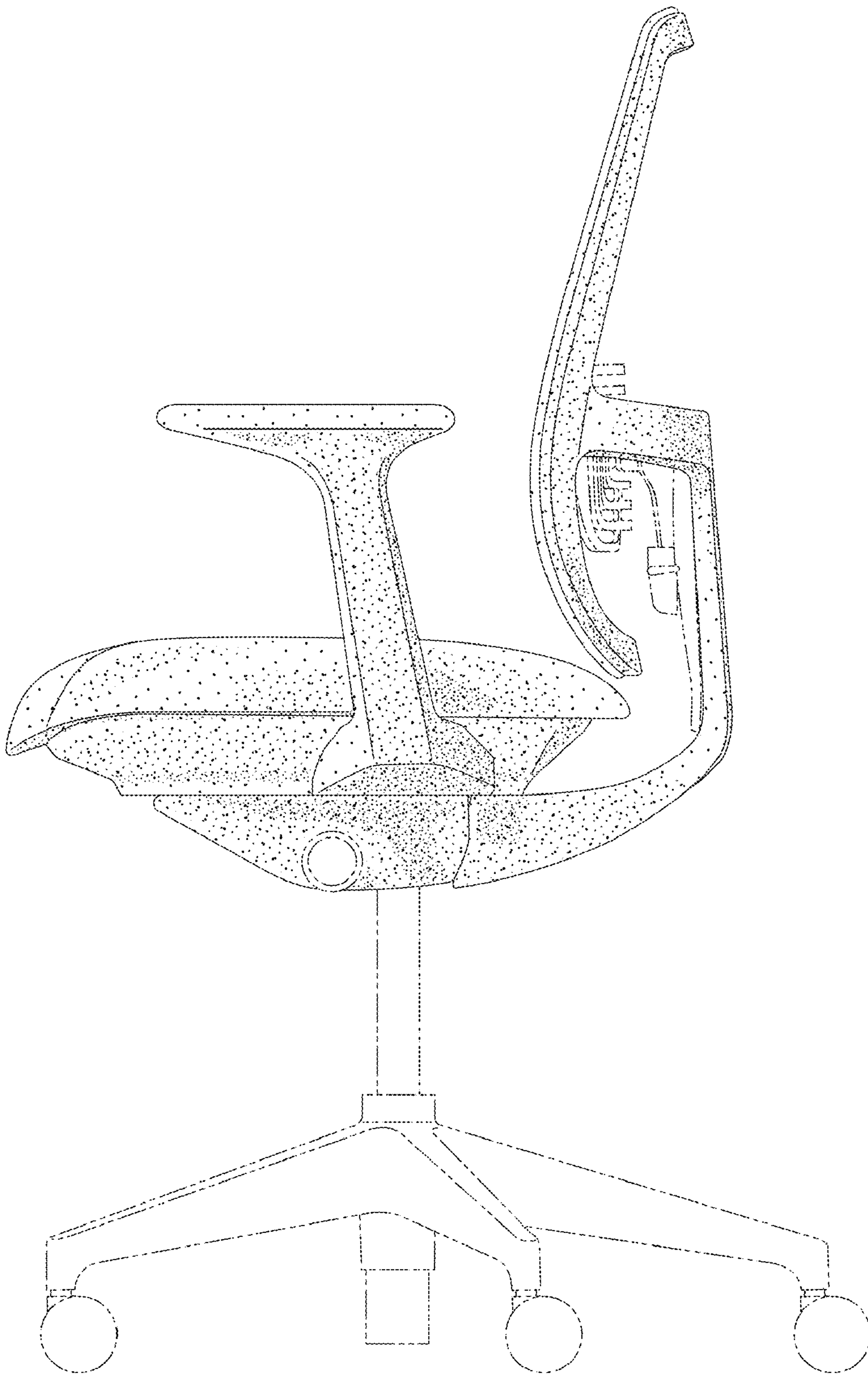


Fig. 2

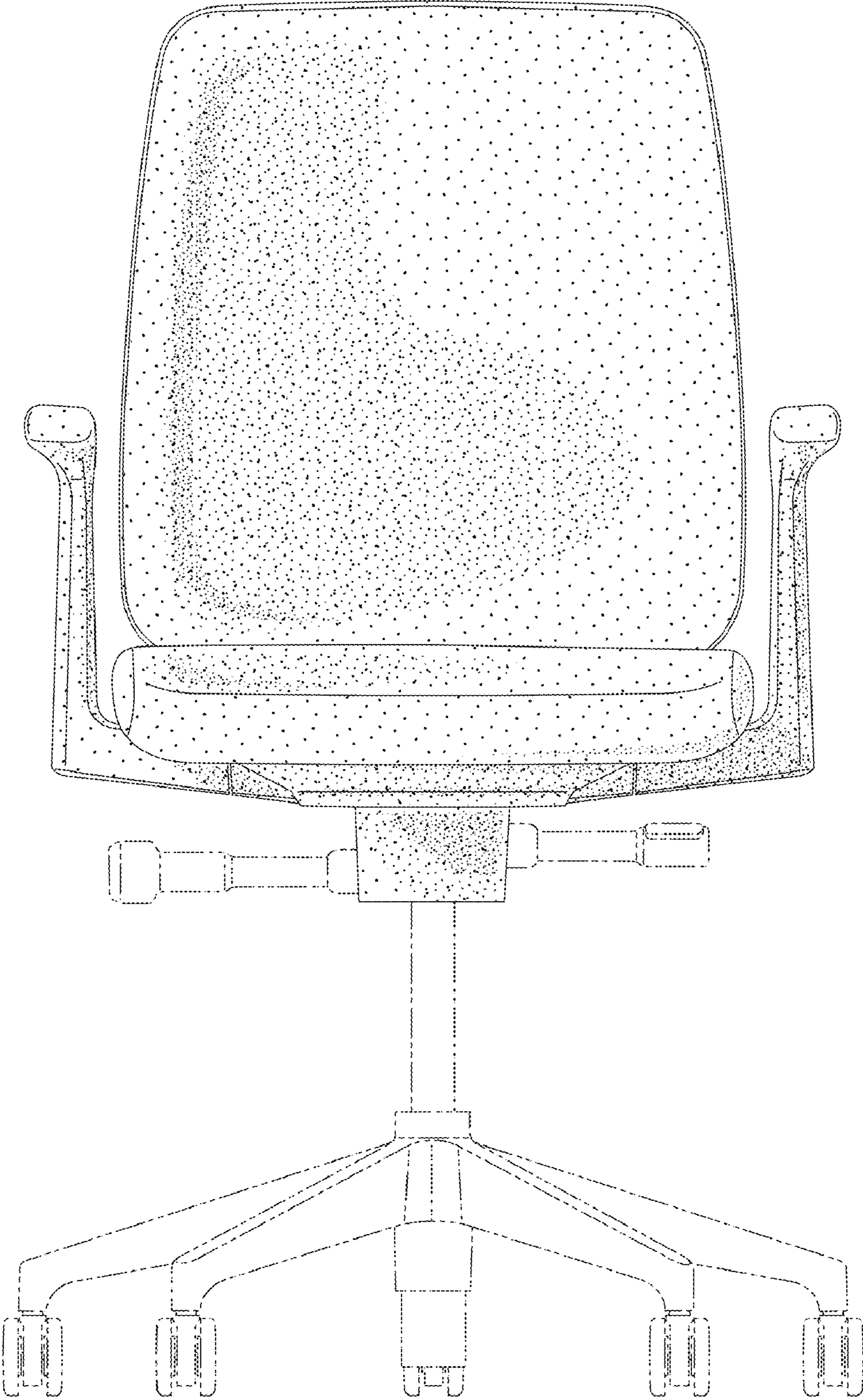


Fig. 3

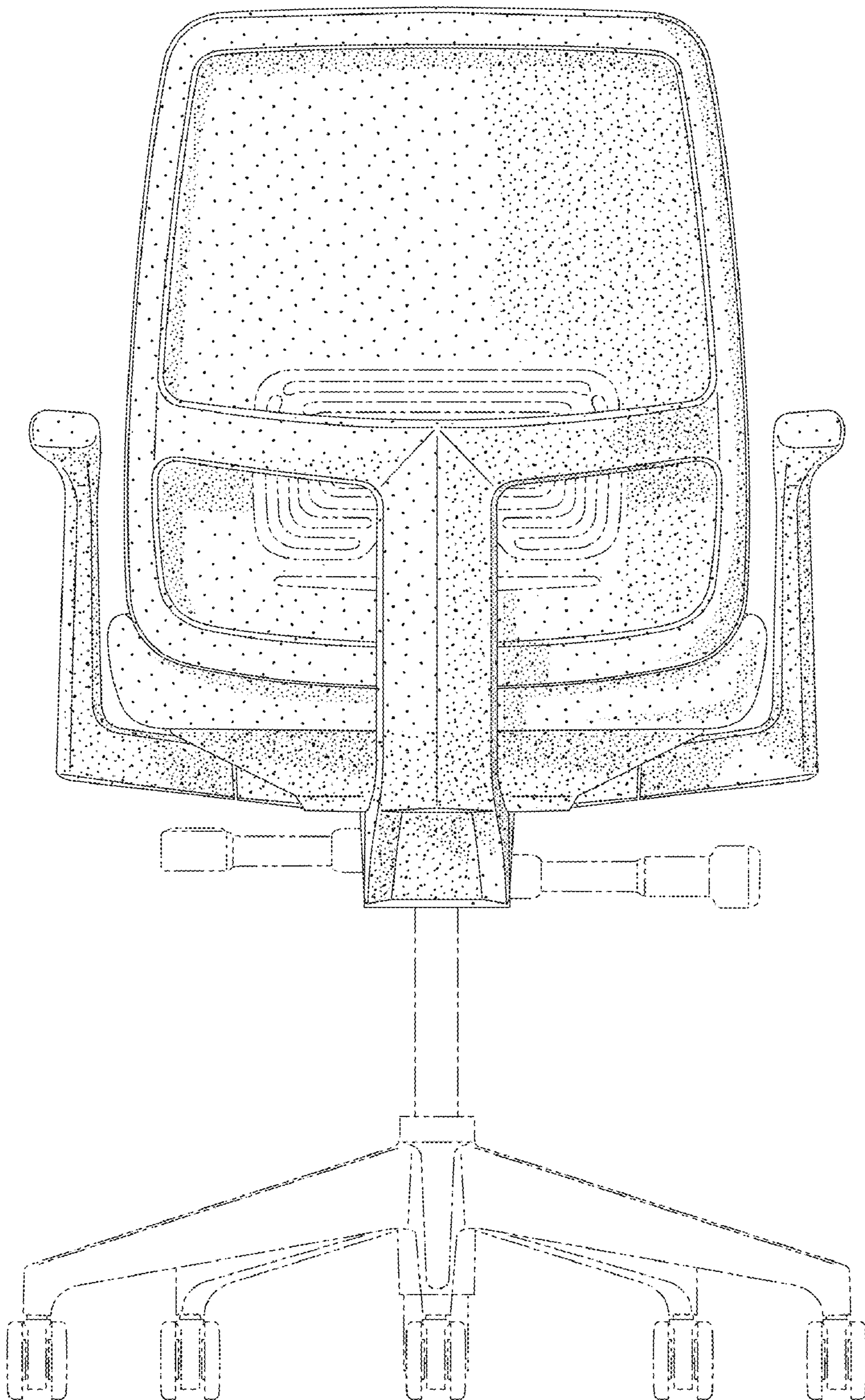


Fig. 4

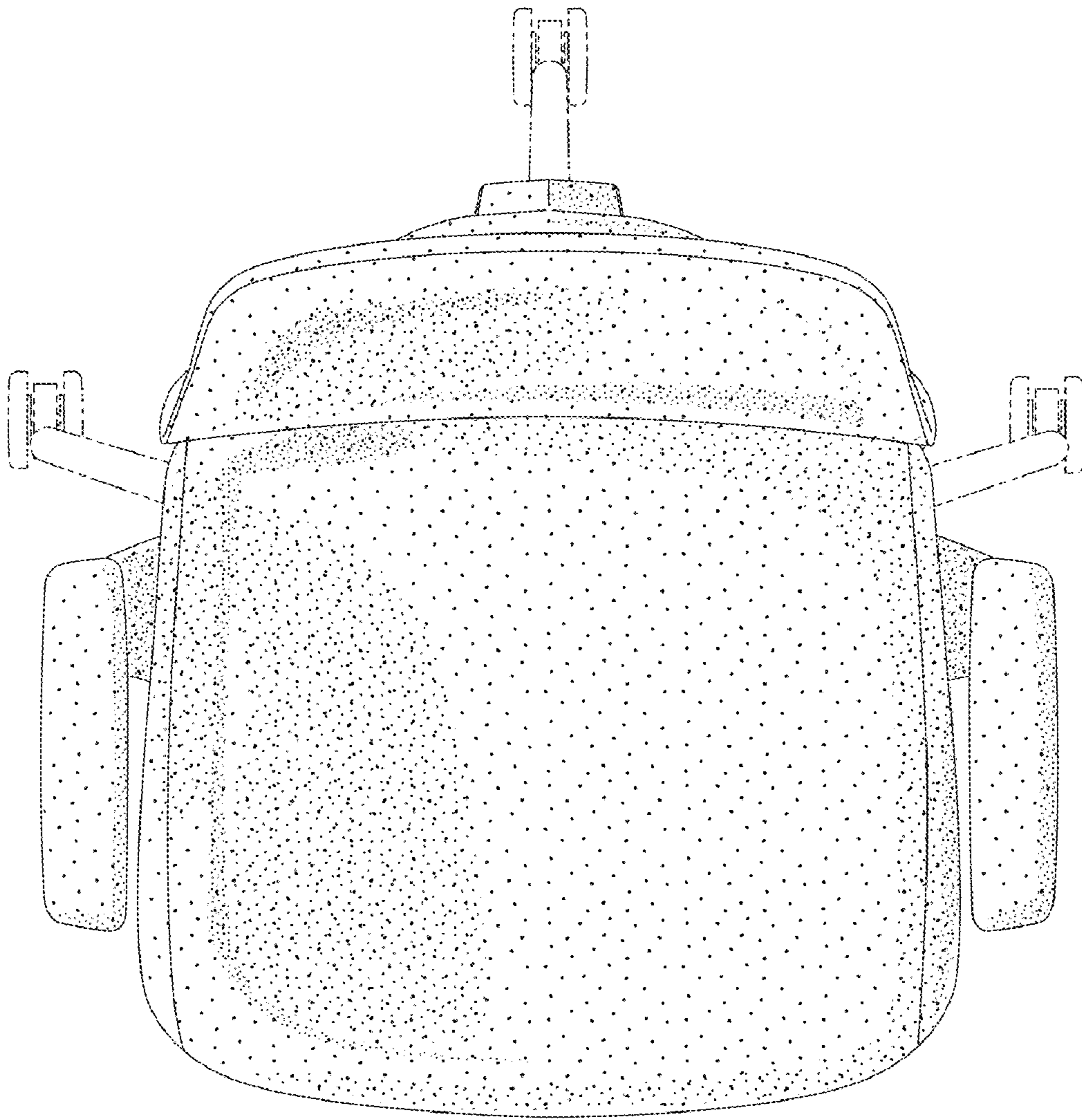


Fig. 5

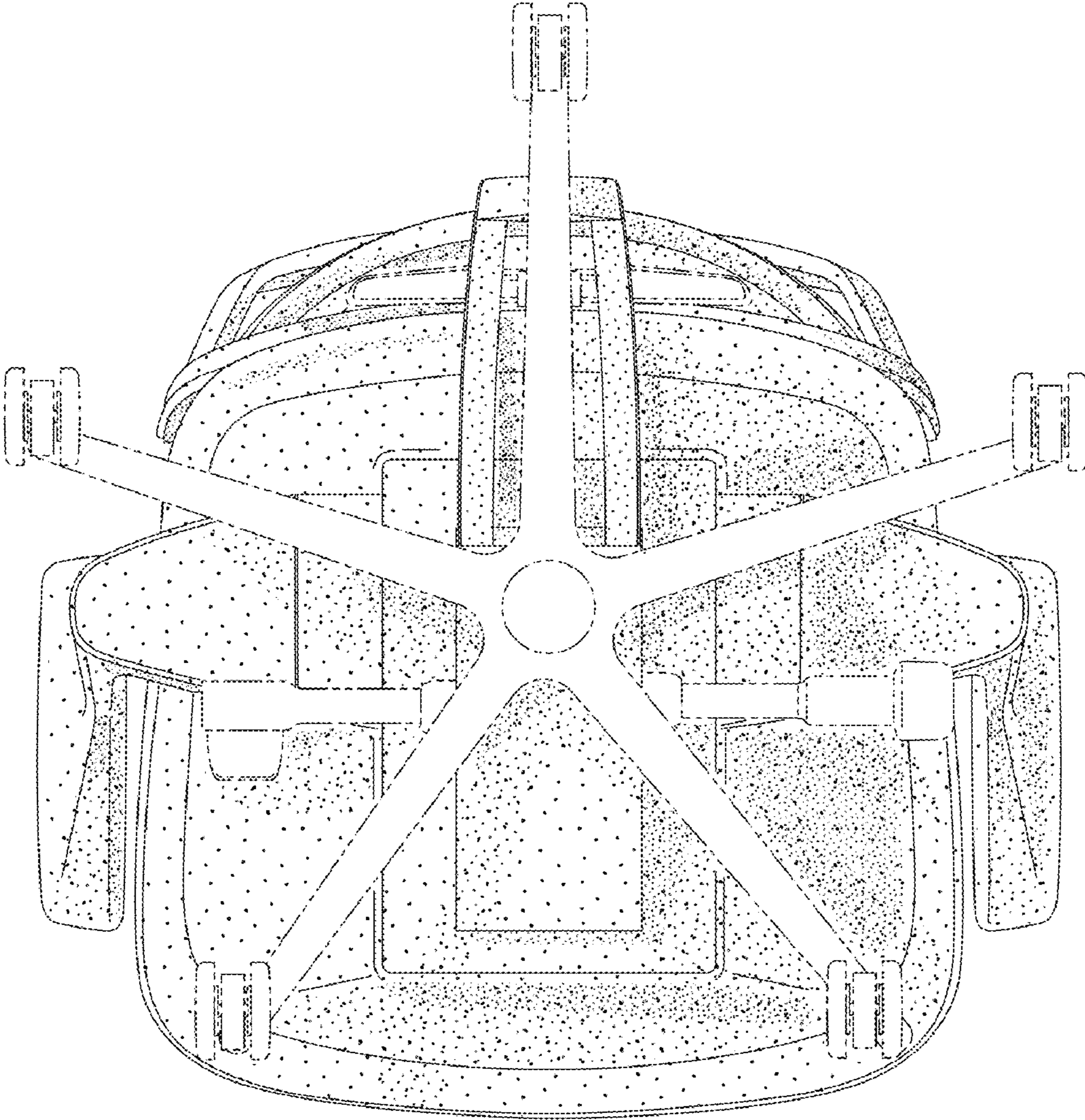


Fig. 6



Fig. 7



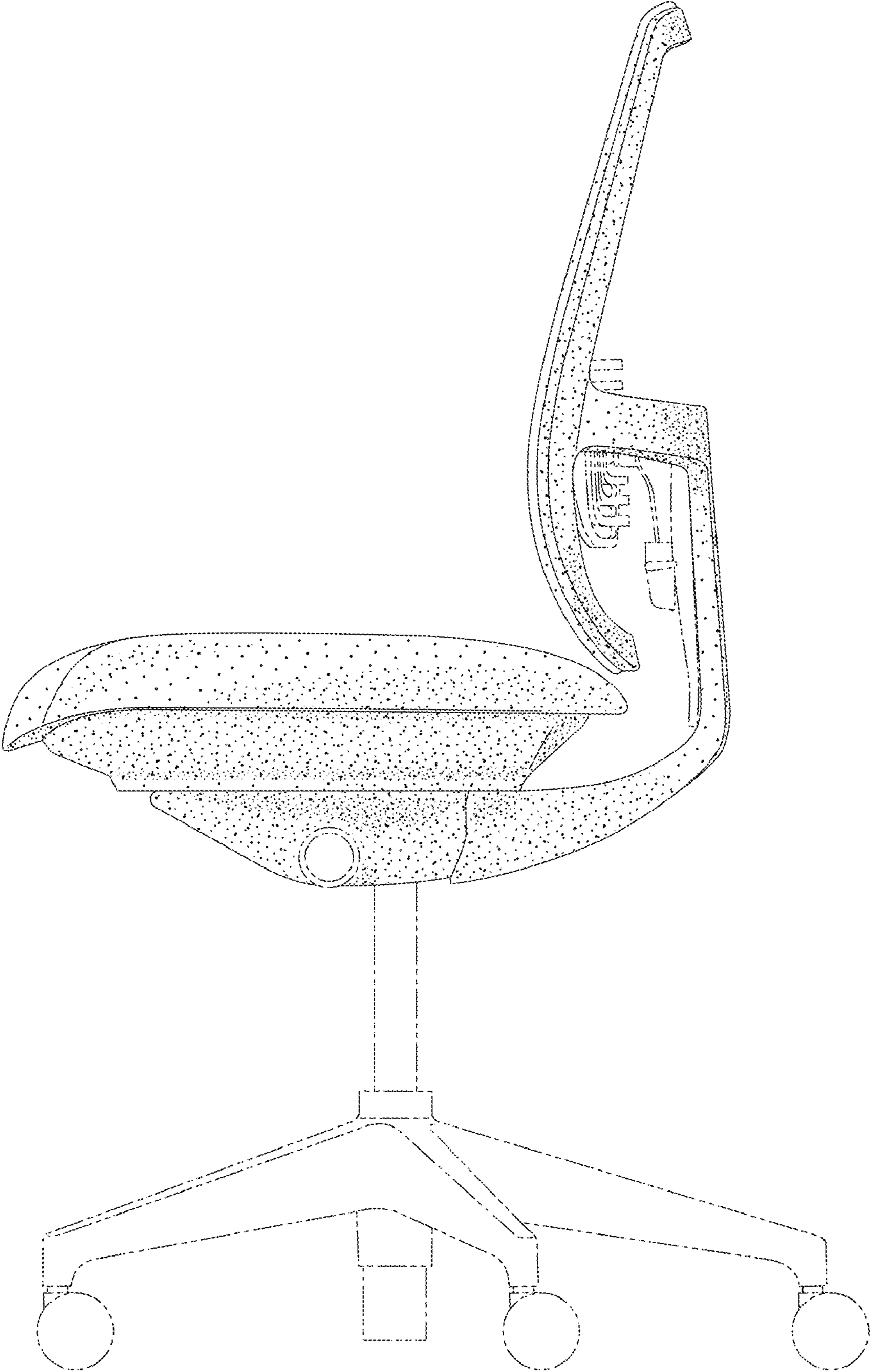


Fig. 8

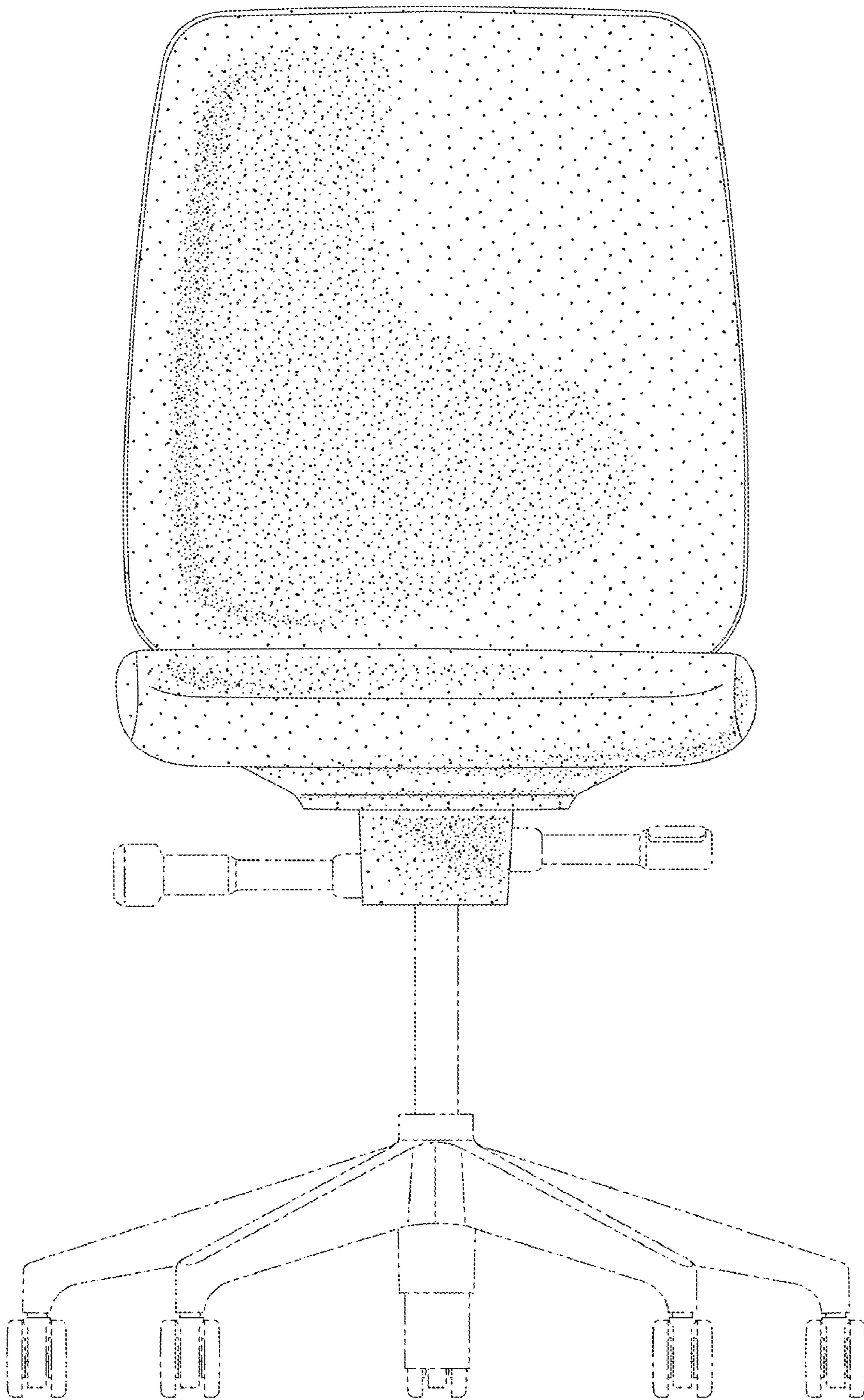


Fig. 9

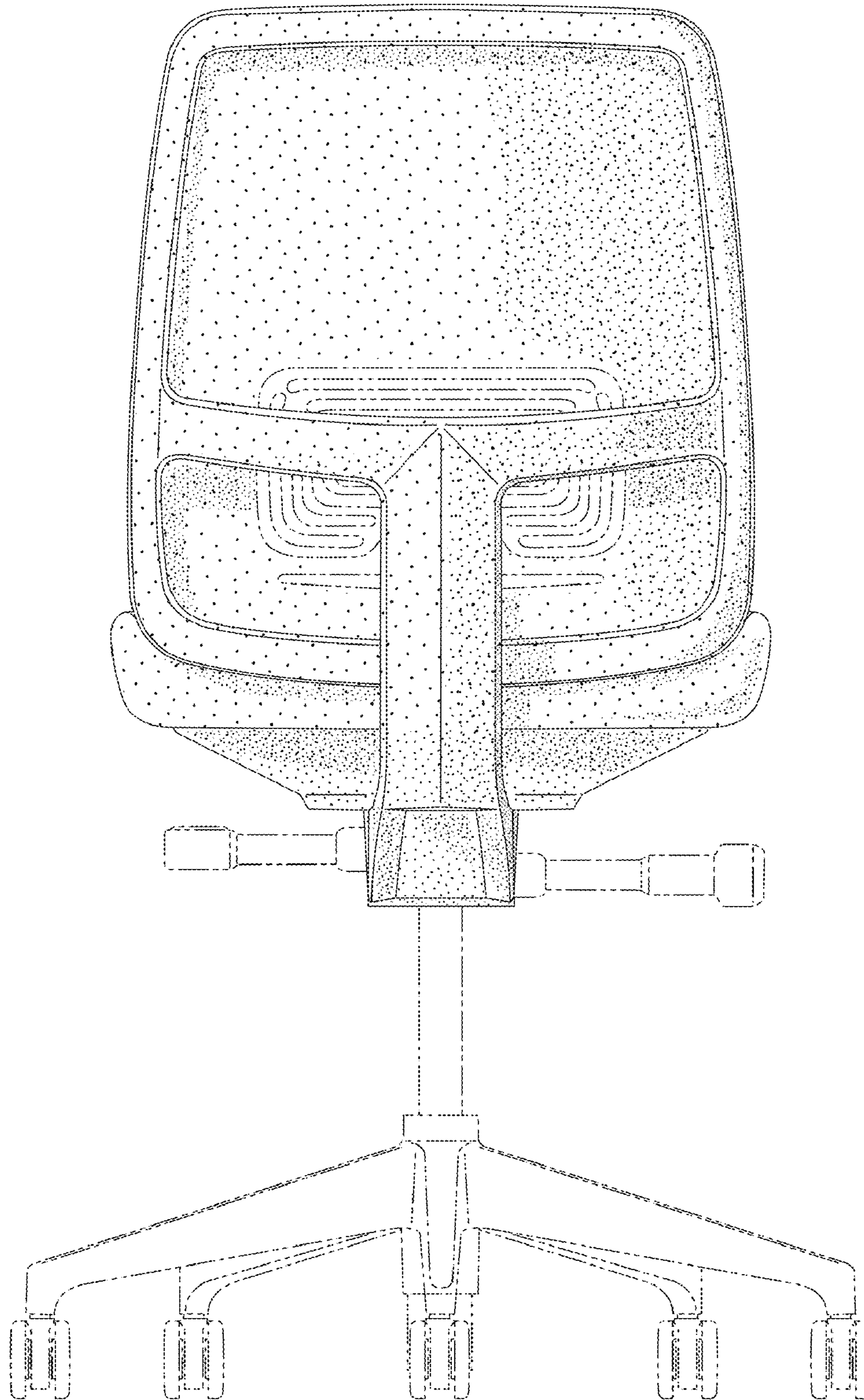


Fig. 10

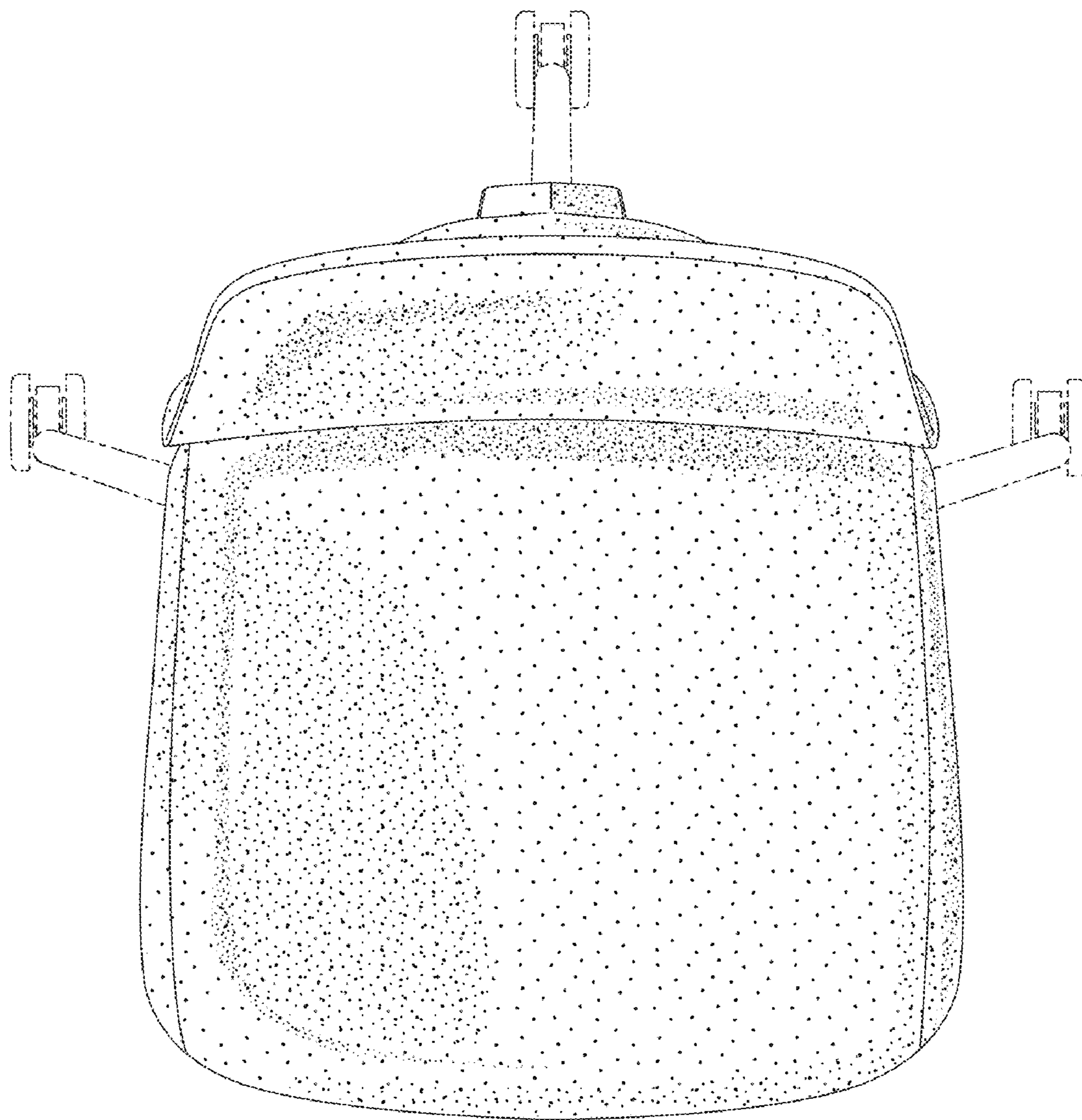


Fig. 11

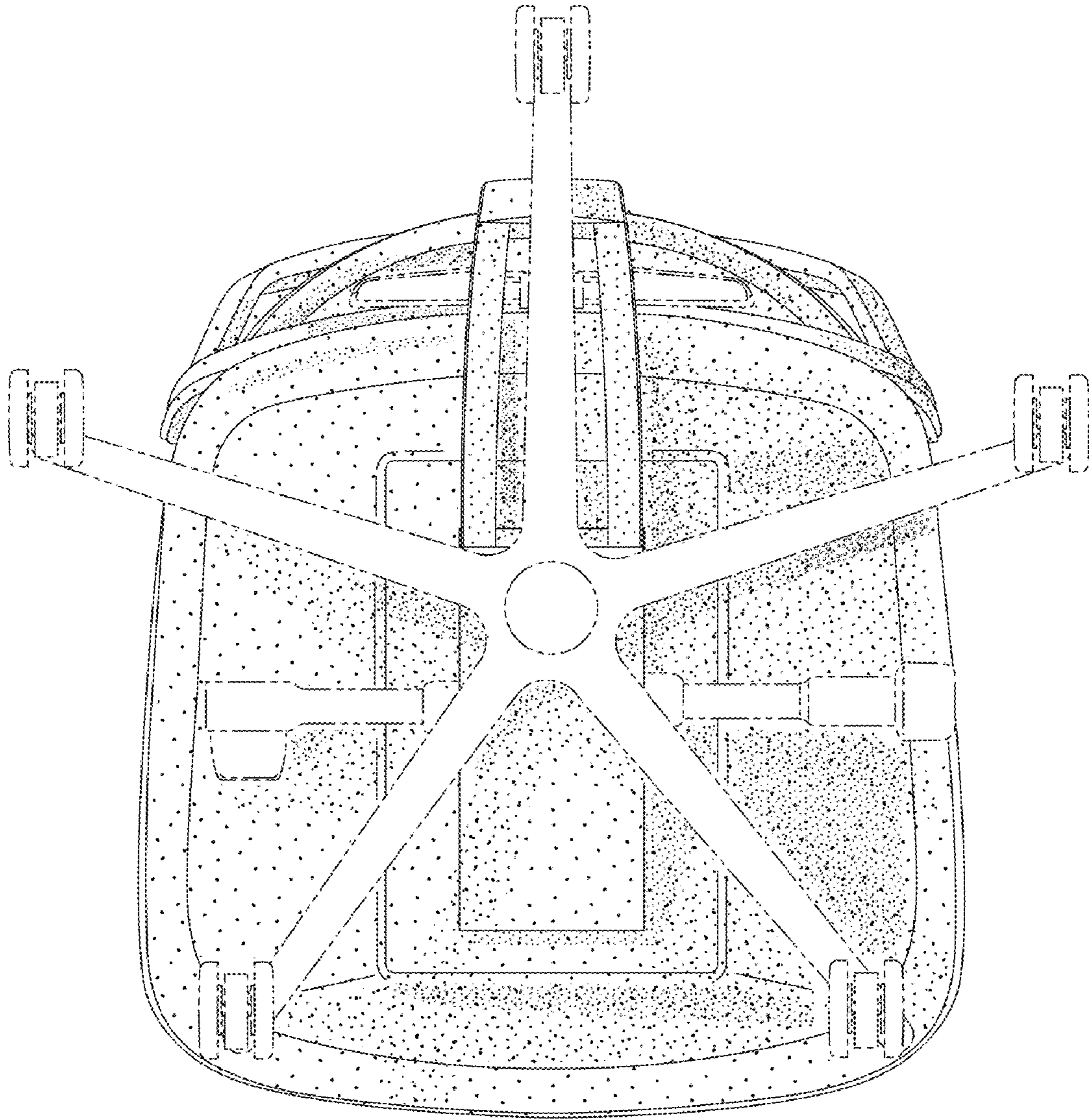


Fig. 12