



US00D679105S

(12) **United States Design Patent**
Lee

(10) **Patent No.:** **US D679,105 S**
(45) **Date of Patent:** **** Apr. 2, 2013**

(54) **ROCKING BENCH**

(76) Inventor: **Lawrence K. Lee**, Houston, TX (US)

(**) Term: **14 Years**

(21) Appl. No.: **29/422,310**

(22) Filed: **May 18, 2012**

(51) **LOC (9) Cl.** **06-01**

(52) **U.S. Cl.** **D6/348**

(58) **Field of Classification Search** D6/334–336,
D6/344–349, 360–381, 388, 403, 495–502,
D6/601; 5/105, 107; 297/22, 31, 35, 239,
297/256.16, 284.4–284.5, 291, 297, 302.4,
297/411.2, 411.27–411.29, 411.43, 440.13,
297/440.15, 451.1, 452.13, 452.19, 452.21,
297/452.27, 452.29, 452.3, 452.41, 452.56,
297/452.64

See application file for complete search history.

(56) **References Cited**

U.S. PATENT DOCUMENTS

D40,588 S *	3/1910	Voncanon	D6/348
1,691,262 A *	11/1928	Wurdack	297/411.43
D109,239 S *	4/1938	Wolpin	D6/370
D198,625 S *	7/1964	Lockshin	D6/348
D268,633 S *	4/1983	Sauls et al.	D6/348
D399,065 S *	10/1998	Noll	D6/344
D459,597 S *	7/2002	Calvey	D6/348
D566,411 S *	4/2008	Lee	D6/370
D566,975 S *	4/2008	Lee	D6/348

D580,197 S *	11/2008	Lee	D6/500
D597,325 S *	8/2009	Lee	D6/348
D658,411 S *	5/2012	Lee	D6/502
D659,440 S *	5/2012	Lee	D6/495

* cited by examiner

Primary Examiner — Ricky Pham

(74) *Attorney, Agent, or Firm* — Egbert Law Offices, PLLC

(57) **CLAIM**

The ornamental design for a rocking bench, as shown and described.

DESCRIPTION

FIG. 1 is a perspective view of the rocking bench showing my design.

FIG. 2 is a front view thereof;

FIG. 3 is a back view thereof;

FIG. 4 is a side view thereof;

FIG. 5 is an opposite side view thereof;

FIG. 6 is a top view thereof;

FIG. 7 is a bottom view thereof;

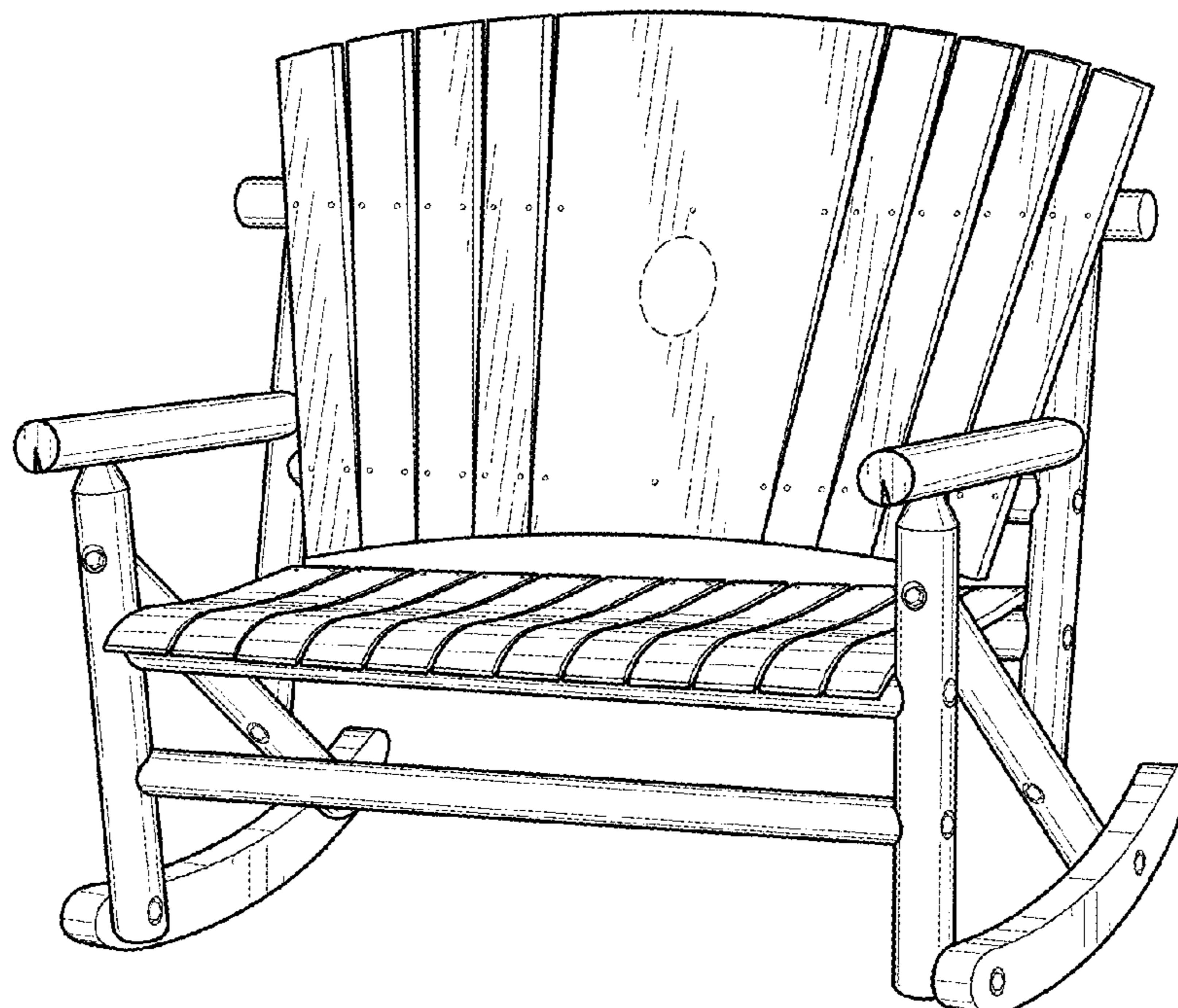
FIG. 8 is a front view of an embodiment of the rocking bench having seven vertical slats;

FIG. 9 is a front view of an embodiment of the rocking bench having five vertical slats; and,

FIG. 10 is a front view of an embodiment of the rocking bench having three vertical slats.

The features presented in broken lines are for environmental purposes only and form no part of the claimed design.

1 Claim, 4 Drawing Sheets



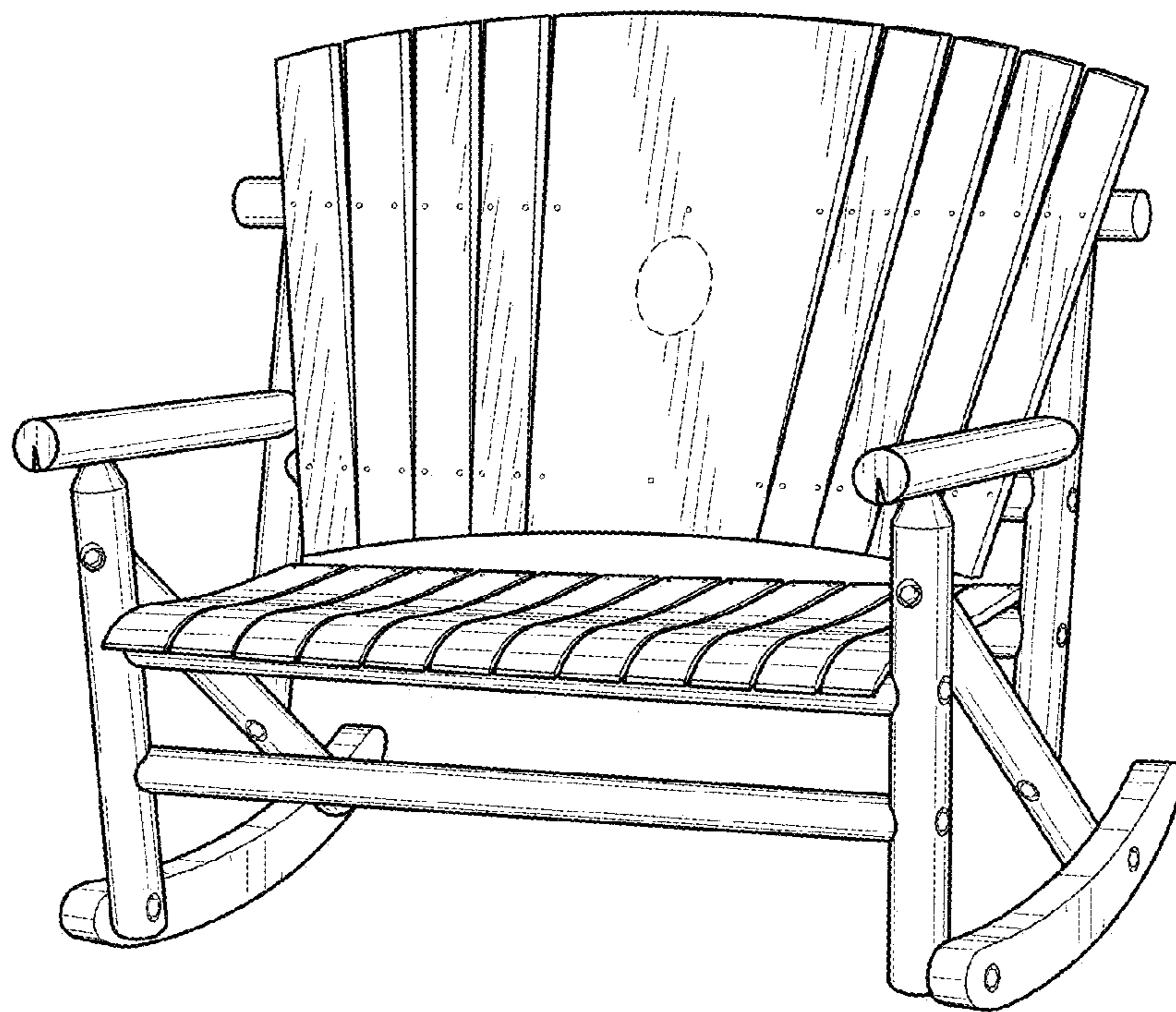


FIG. 1

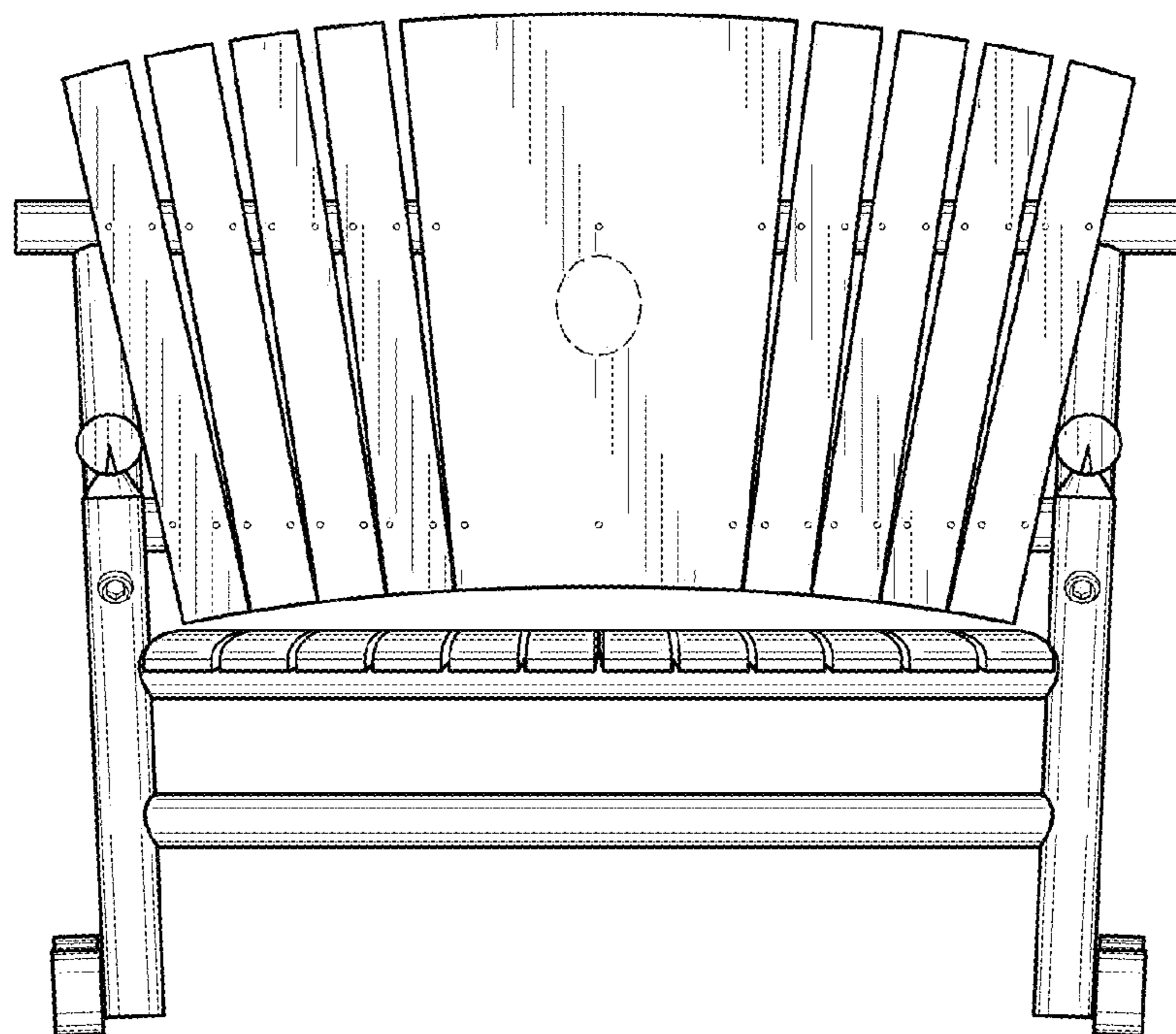


FIG. 2

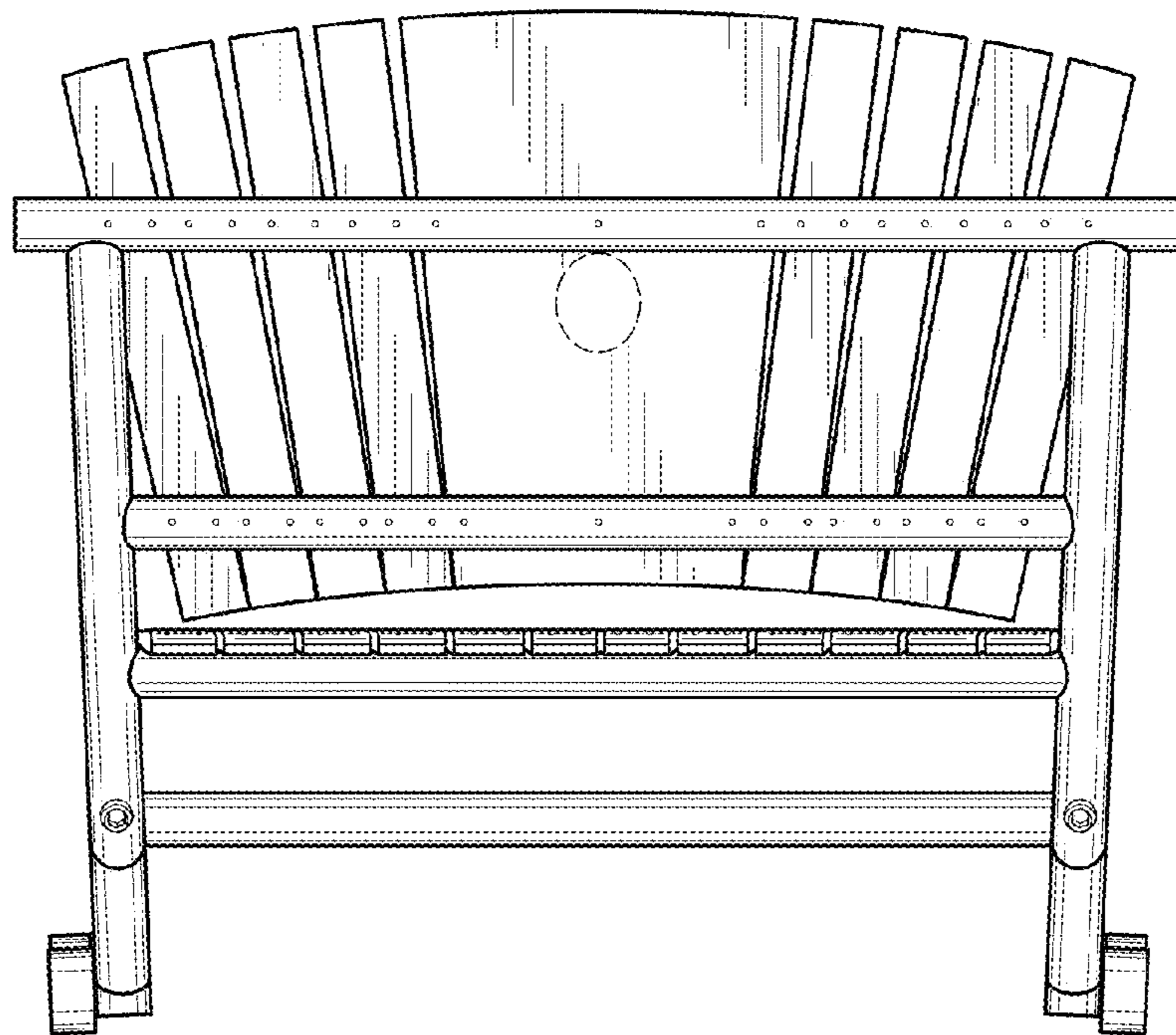


FIG. 3

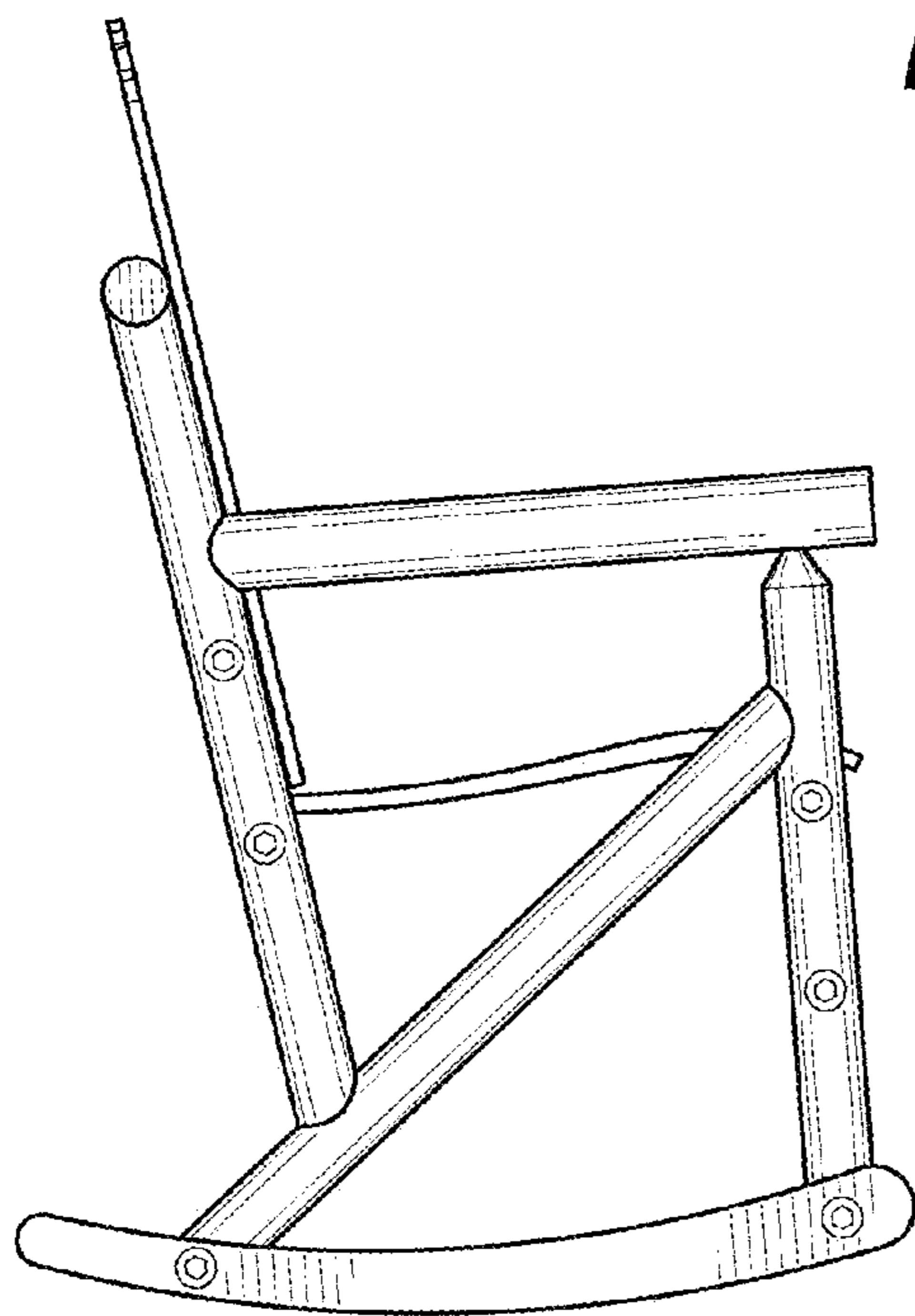


FIG. 4

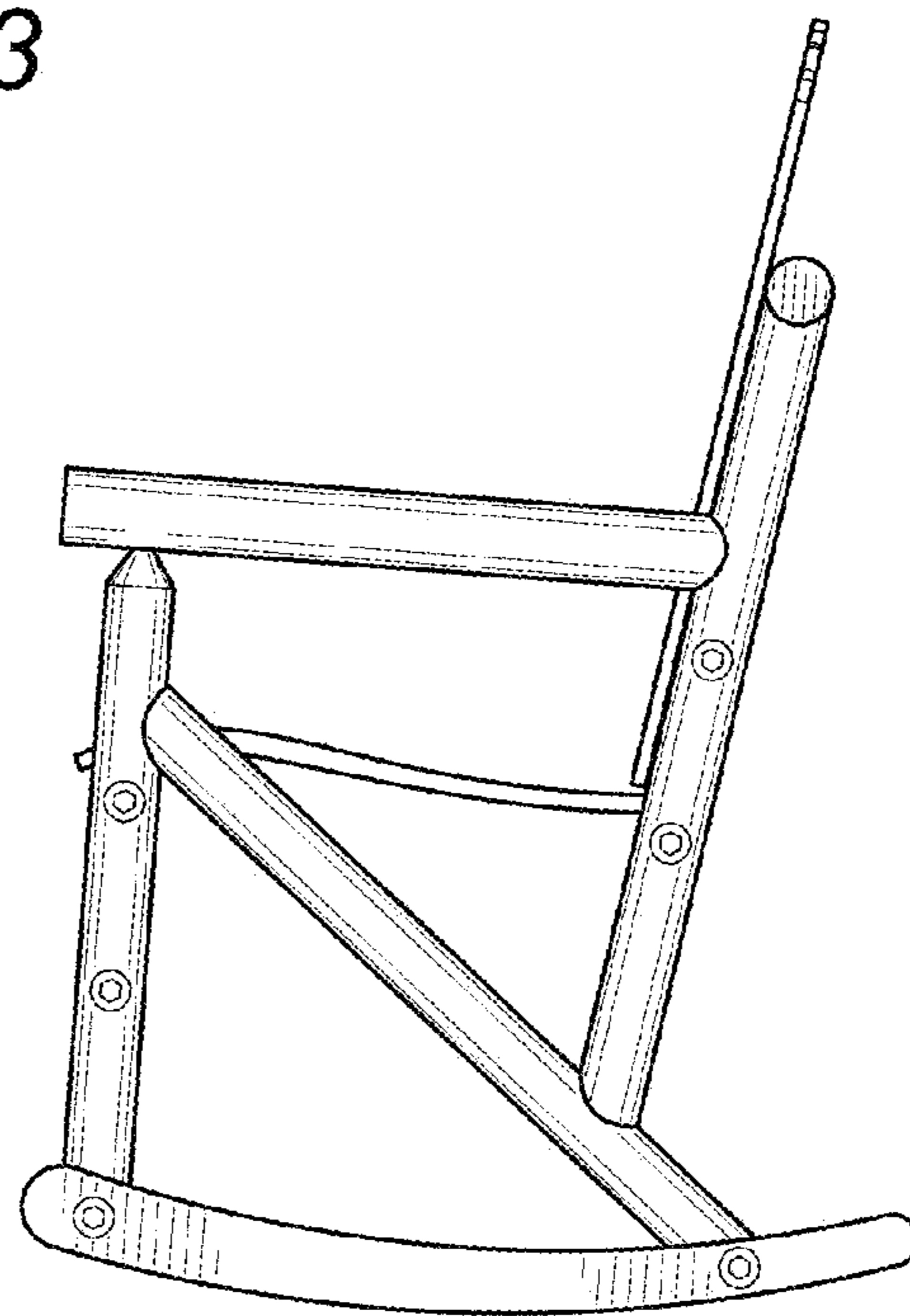


FIG. 5

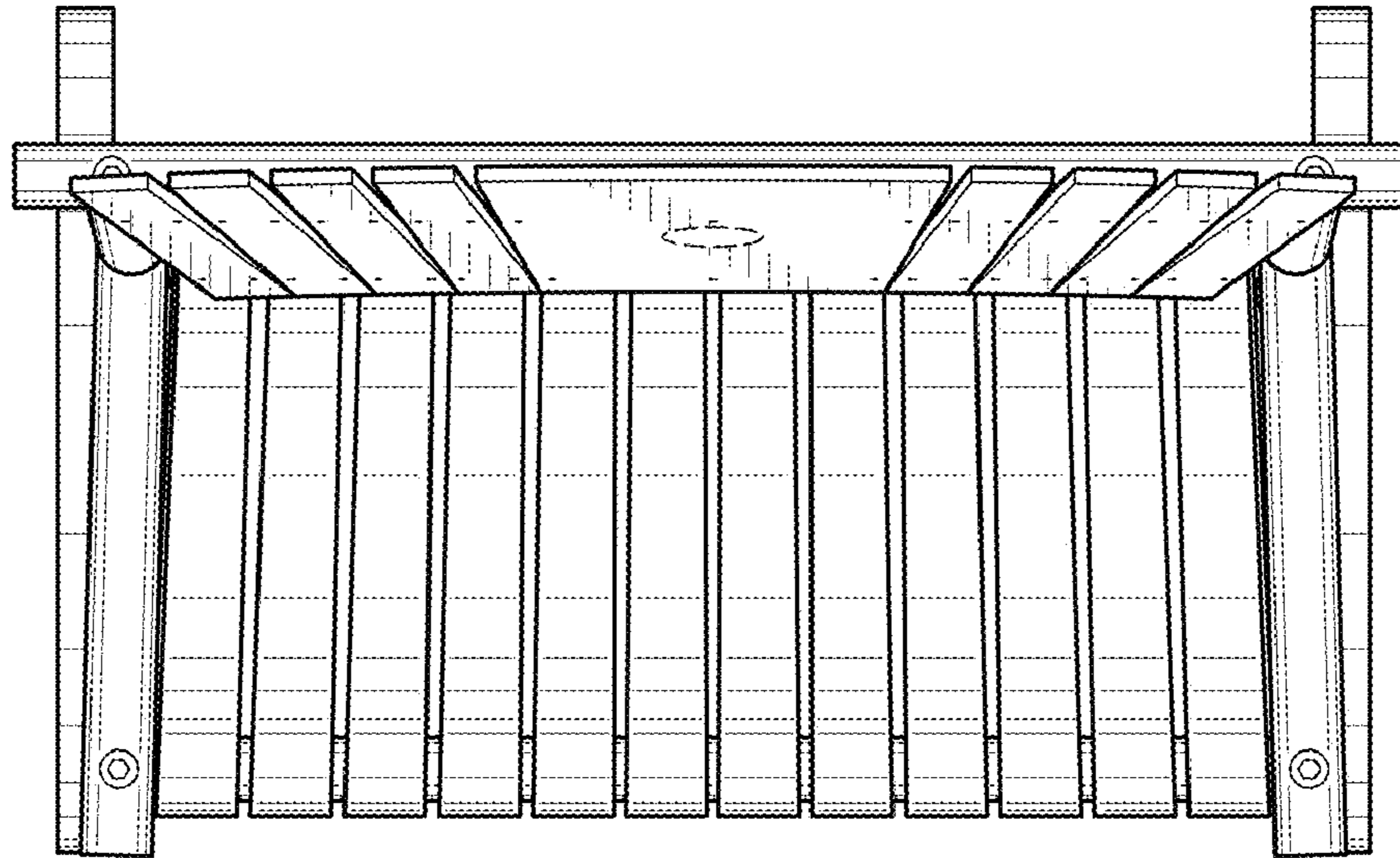


FIG. 6

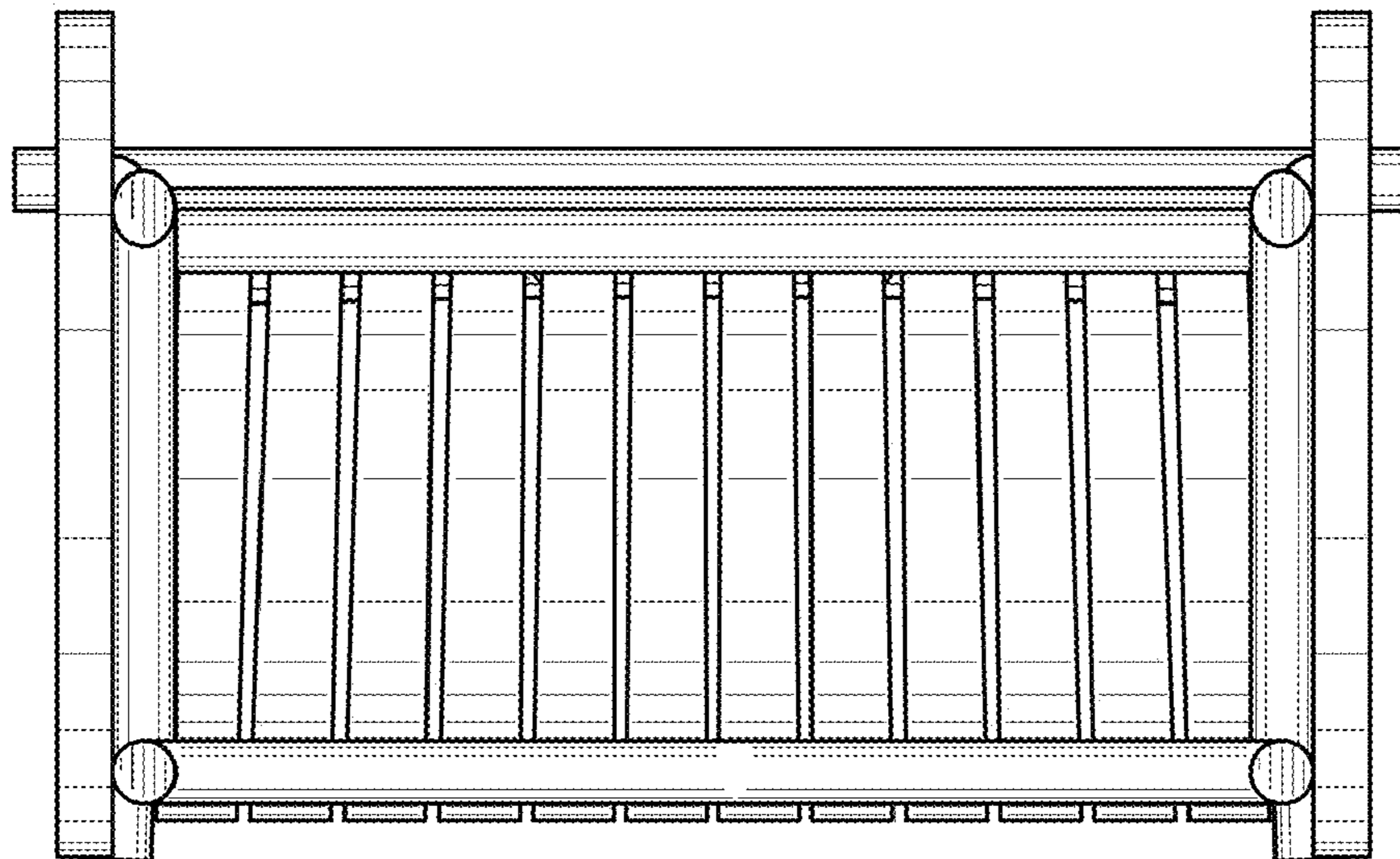


FIG. 7

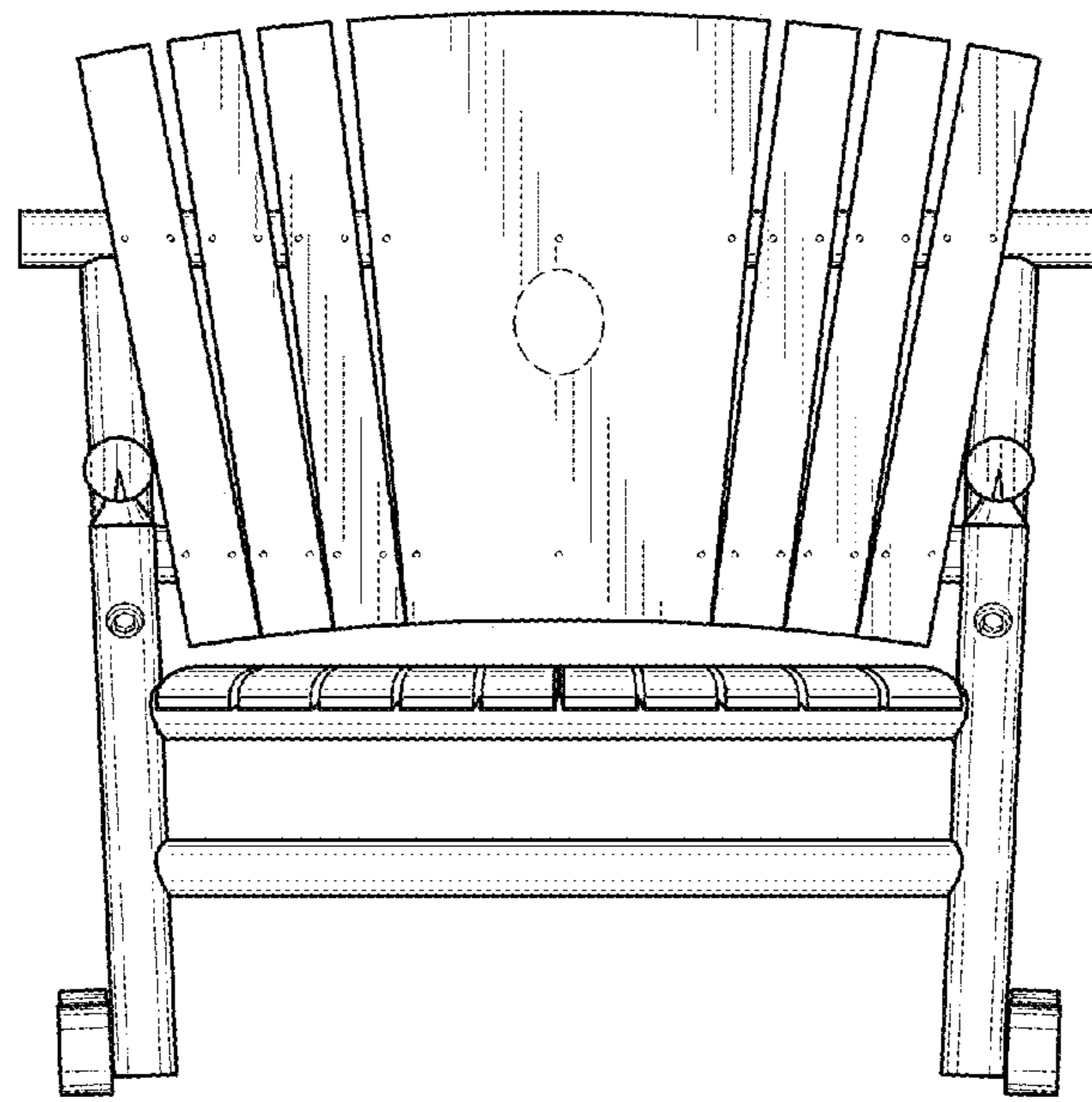


FIG. 8

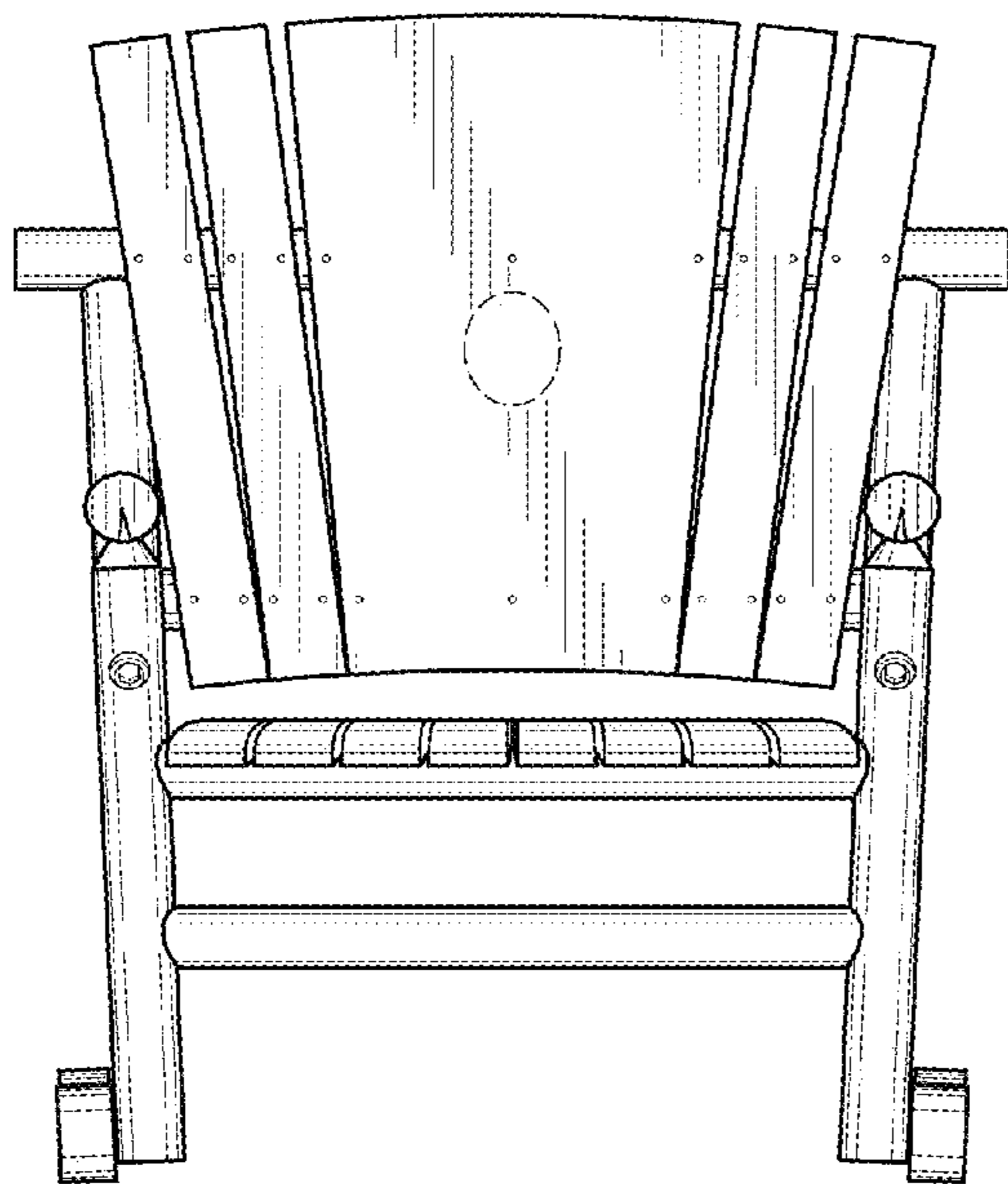


FIG. 9

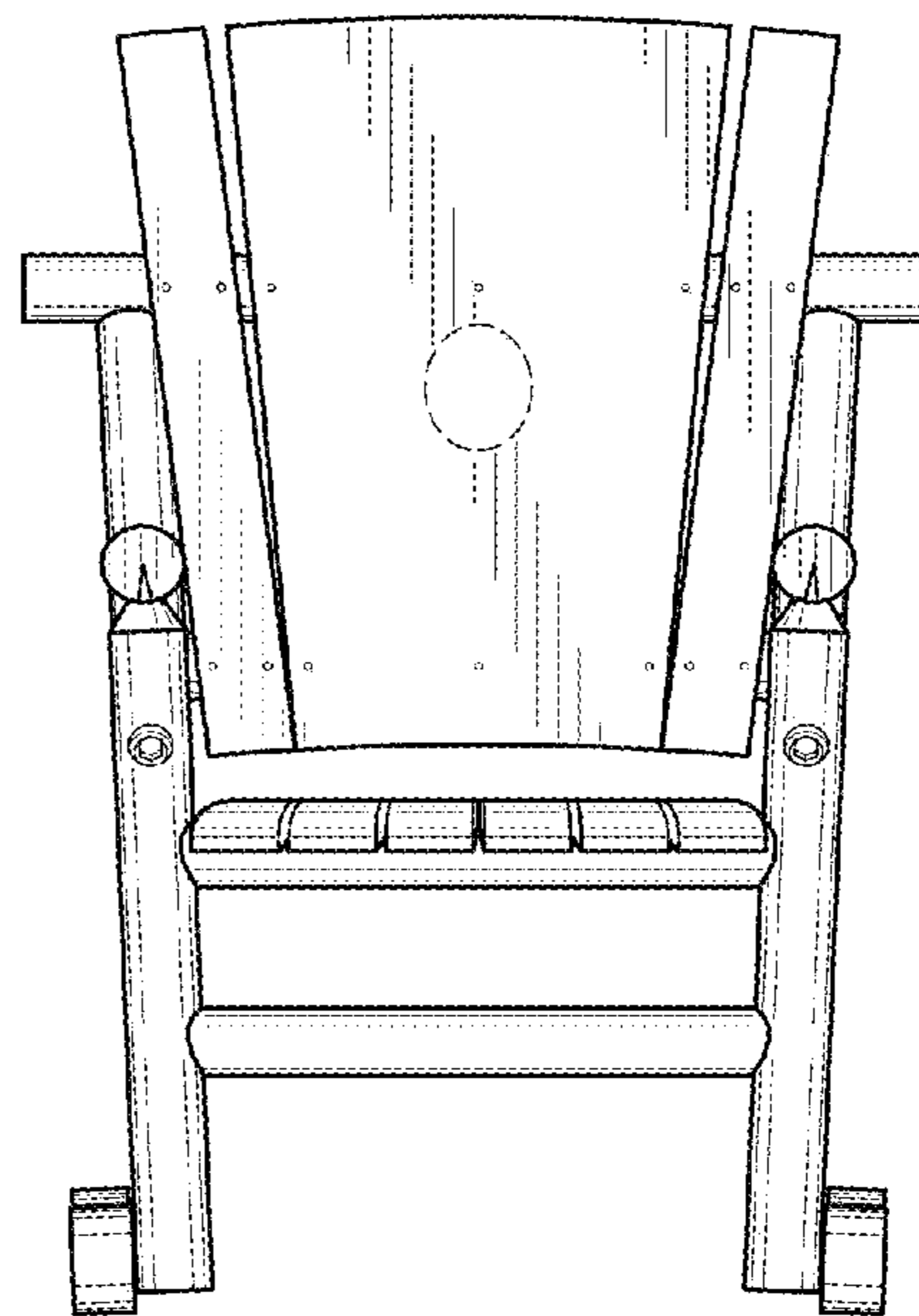


FIG. 10