



US00D679101S

(12) **United States Design Patent**  
**Pitot**

(10) **Patent No.:** **US D679,101 S**  
(45) **Date of Patent:** **\*\* Apr. 2, 2013**

(54) **MINIATURE VANITY MIRROR**  
(76) Inventor: **Bruce Pitot**, Mahwah, NJ (US)  
(\*\*) Term: **14 Years**  
(21) Appl. No.: **29/416,600**

(22) Filed: **Mar. 23, 2012**

(51) **LOC (9) Cl.** ..... **06-07**

(52) **U.S. Cl.** ..... **D6/309**

(58) **Field of Classification Search** ..... D6/300–314,  
D6/444; D26/56, 37; D28/78, 64.3, 82;  
40/700, 711, 720, 714–716, 735, 739, 745,  
40/765, 790, 798; 359/838, 871, 879; 248/466,  
248/469, 472; D19/65; 362/135, 136; 132/293,  
132/305, 316, 287; 206/581; D14/138 AB;  
401/130

See application file for complete search history.

(56) **References Cited**

U.S. PATENT DOCUMENTS

1,229,285	A *	6/1917	Kendall	401/130
1,525,665	A *	2/1925	Slover et al.	132/287
1,774,331	A *	8/1930	Koller	362/135
1,989,155	A *	1/1935	Rosenberg	132/305
D106,609	S *	10/1937	Riley	D28/82
2,421,646	A *	6/1947	Pepin	132/305
3,377,476	A *	4/1968	Milam et al.	362/136
D225,585	S *	12/1972	Stahl	D28/64.3
3,996,947	A *	12/1976	Szpur et al.	132/316
D331,818	S *	12/1992	Holahan et al.	D28/82
D342,808	S *	12/1993	Bakic	D28/82
5,908,037	A *	6/1999	Pierson	132/293
5,950,640	A *	9/1999	Duncan et al.	132/305
6,002,651	A *	12/1999	Baccaray	368/10
D424,751	S *	5/2000	Kudo et al.	D28/78
D454,701	S *	3/2002	Eric	D6/308
D462,809	S *	9/2002	LaSpina et al.	D28/78
D470,665	S *	2/2003	Harris et al.	D6/312
D496,759	S *	9/2004	Rodriguez	D28/82
D496,917	S *	10/2004	Brandis	D14/138 AB
D524,469	S *	7/2006	Pitot et al.	D26/37
D537,985	S *	3/2007	Bakic	D28/82
D549,968	S *	9/2007	Pitot et al.	D6/312
D573,799	S *	7/2008	Pitot	D6/312
D625,930	S *	10/2010	Merica	D6/312
2004/0173498	A1 *	9/2004	Lee	206/581

\* cited by examiner

*Primary Examiner* — Cynthia M Chin  
*Assistant Examiner* — Sydney Buffalow  
(74) *Attorney, Agent, or Firm* — Pearne & Gordon LLP

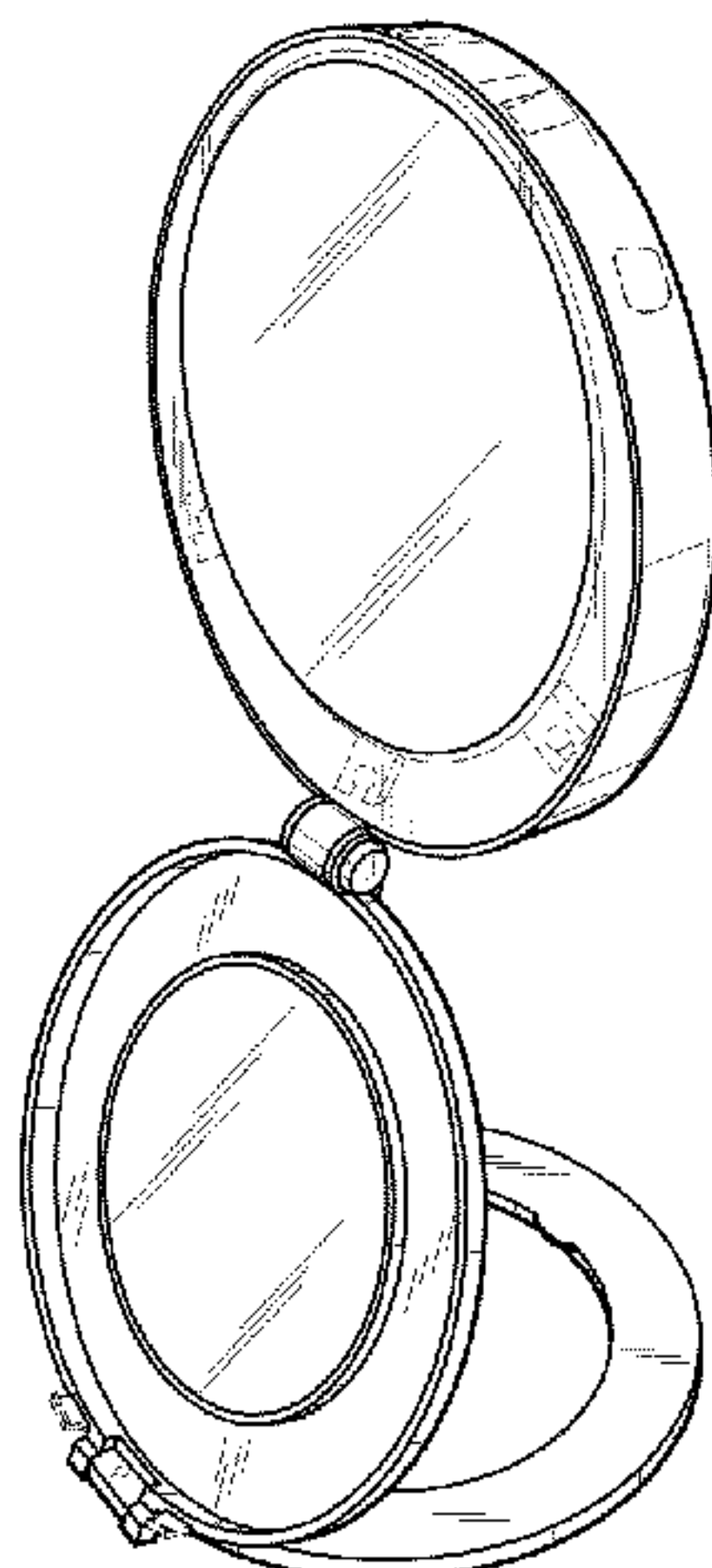
(57) **CLAIM**

The ornamental design for miniature vanity mirror, as shown and described.

**DESCRIPTION**

FIG. 1 is a perspective view of the mirror in an open position; FIG. 2 is a front elevation view of the mirror with the mirror in the position of FIG. 1; FIG. 3 is a top plan view of the mirror with the mirror in the position of FIG. 1; FIG. 4 is a left side elevation view of the mirror with the mirror in the position of FIG. 1; FIG. 5 is a right side elevation view of the mirror with the mirror in the position of FIG. 1; FIG. 6 is a rear elevation view of the mirror in the position of FIG. 1; FIG. 7 is a bottom plan view of the mirror in the position of FIG. 1; FIG. 8 is a perspective view of the mirror in a closed position; FIG. 9 is a perspective view of the mirror in a partially open position; FIG. 10 is a top plan view of the mirror in the position of FIG. 9; FIG. 11 is a front elevation view of the mirror in the position of FIG. 9; FIG. 12 is a right side elevation view of the mirror in the position of FIG. 9; FIG. 13 is a rear elevation view of the mirror in the position of FIG. 9; FIG. 14 is a left side view of the mirror in the position of FIG. 9; and, FIG. 15 is a bottom plan view of the mirror in the position of FIG. 9. The broken lines shown in the drawings are directed to environment, are for informational purposes only and form no part of the claimed design.

**1 Claim, 4 Drawing Sheets**



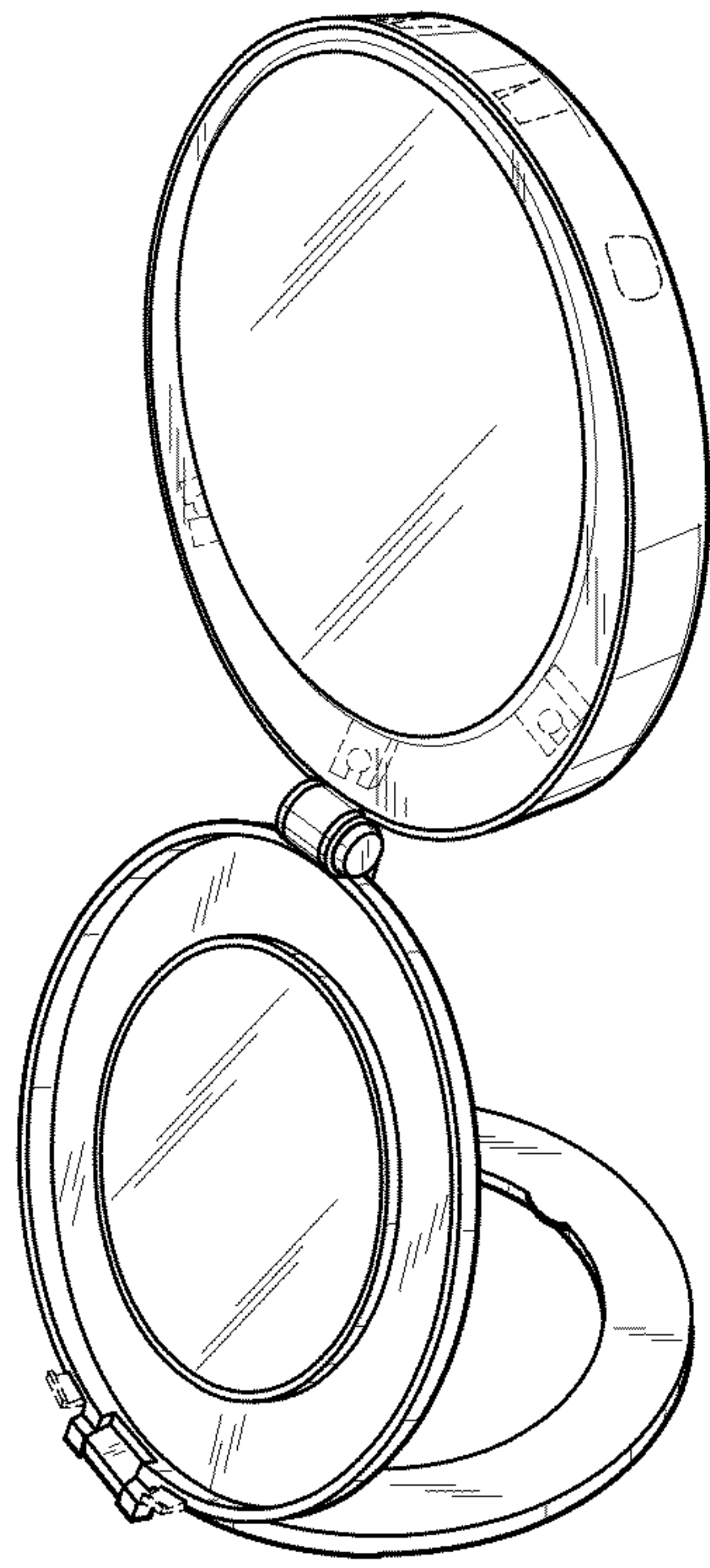


FIG. 1

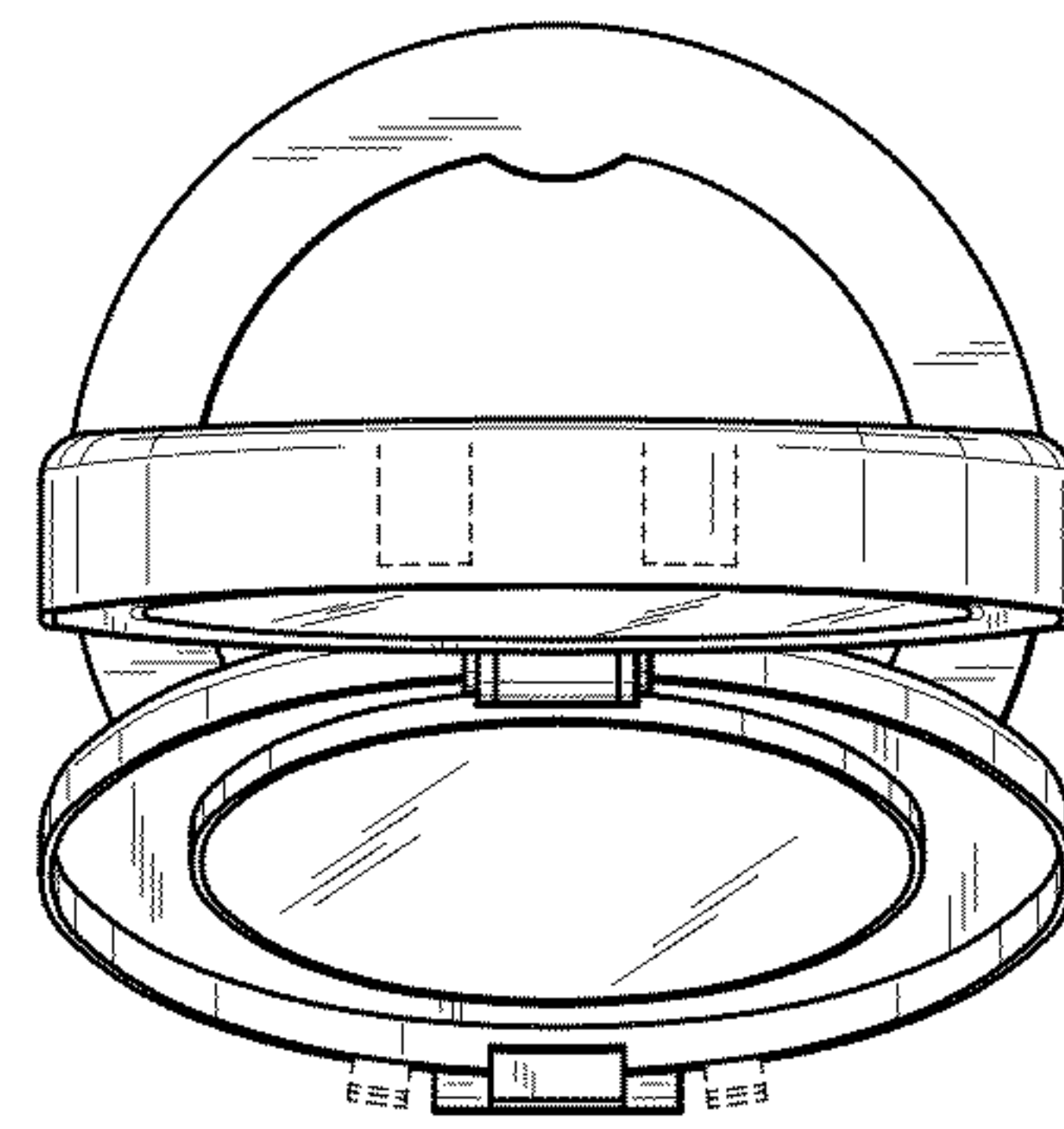


FIG. 3

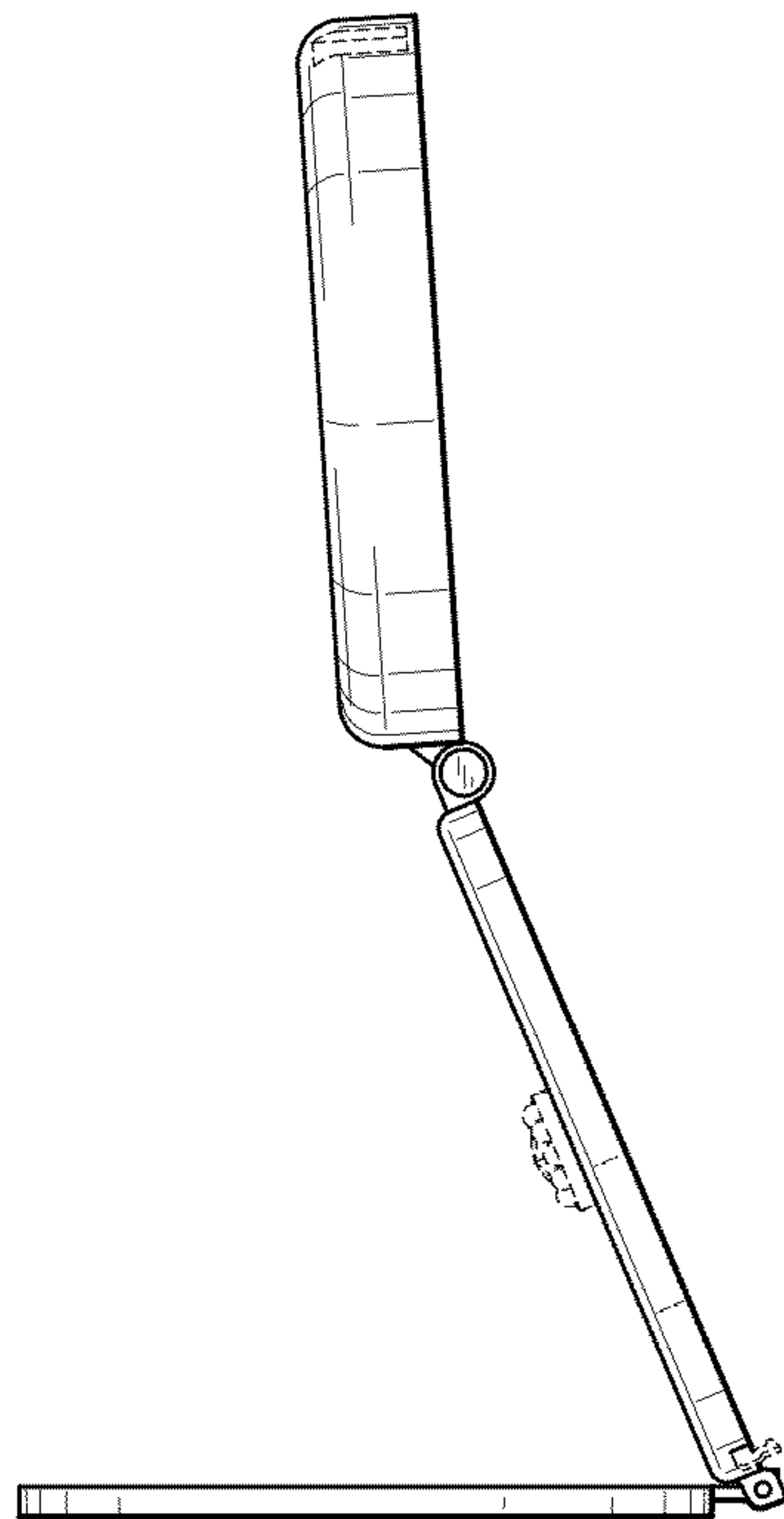


FIG. 4

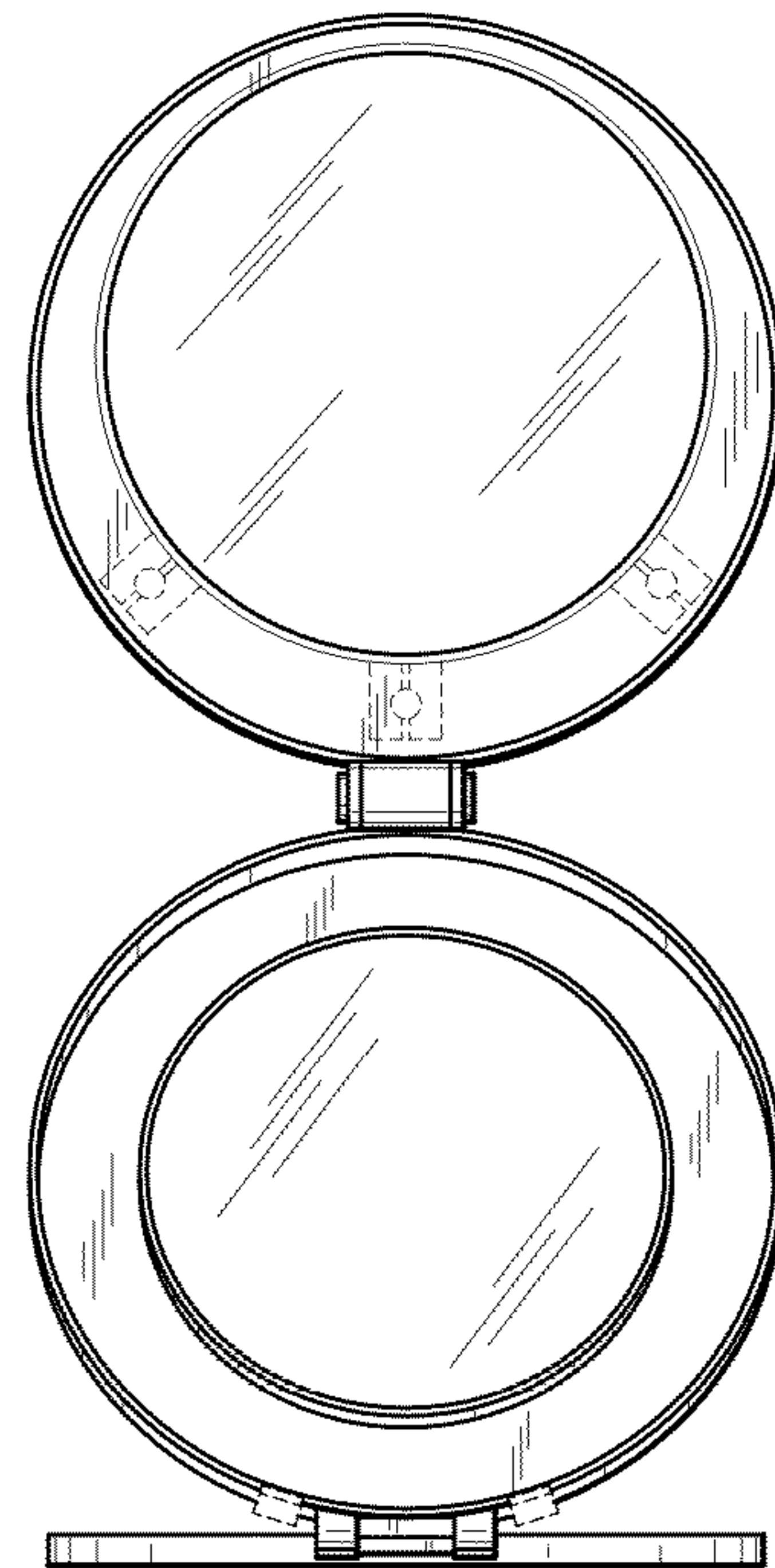


FIG. 2

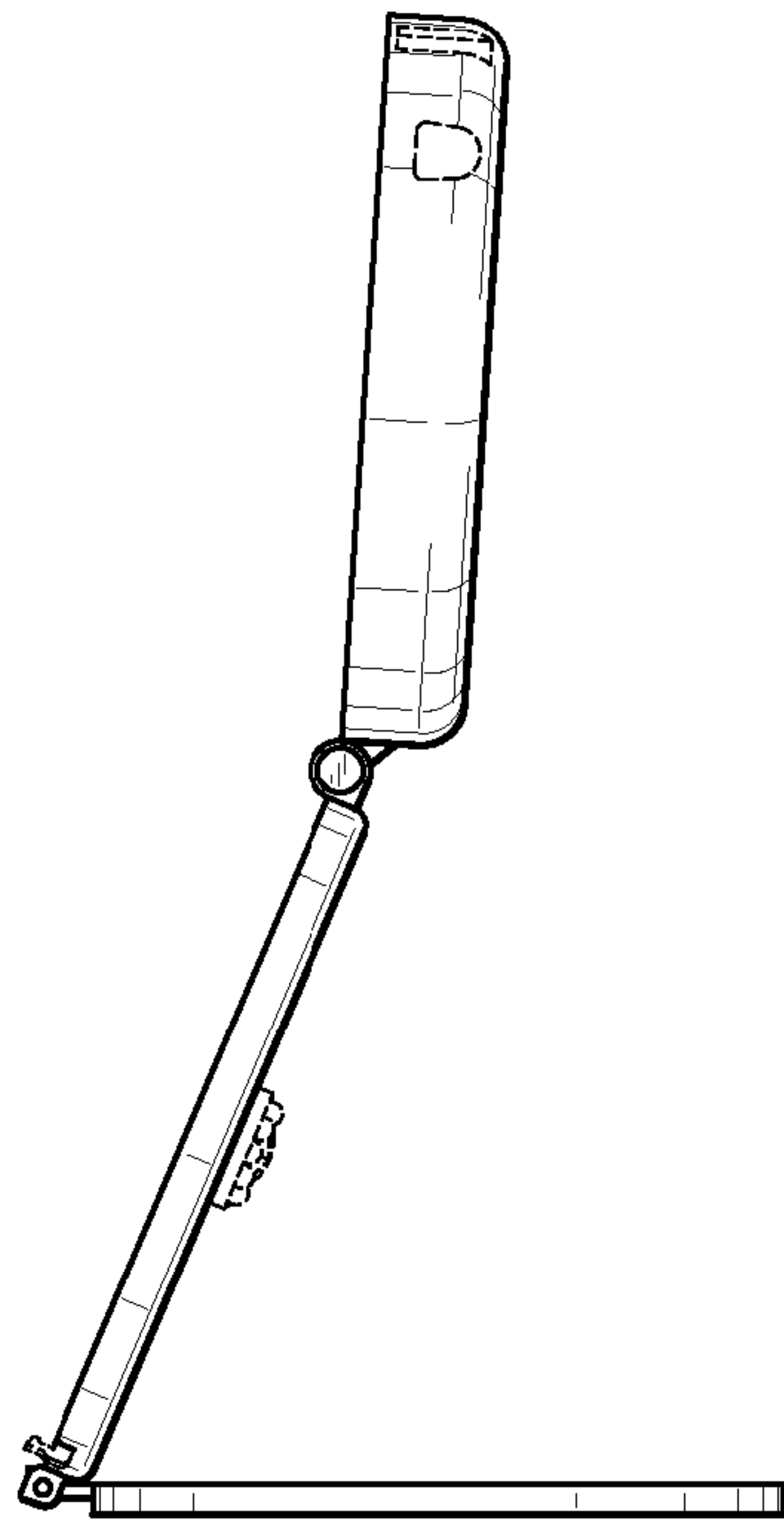


FIG. 5

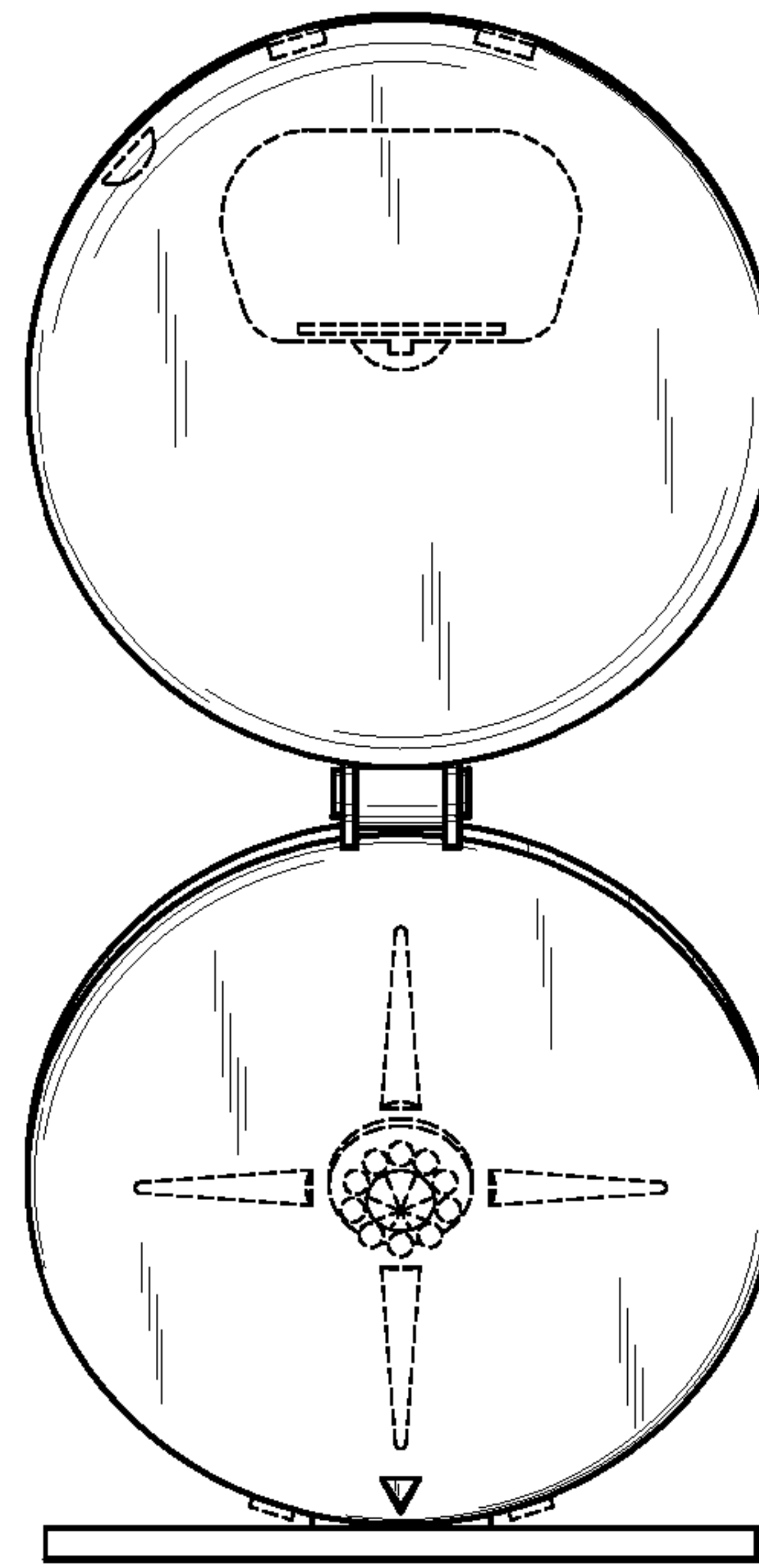


FIG. 6

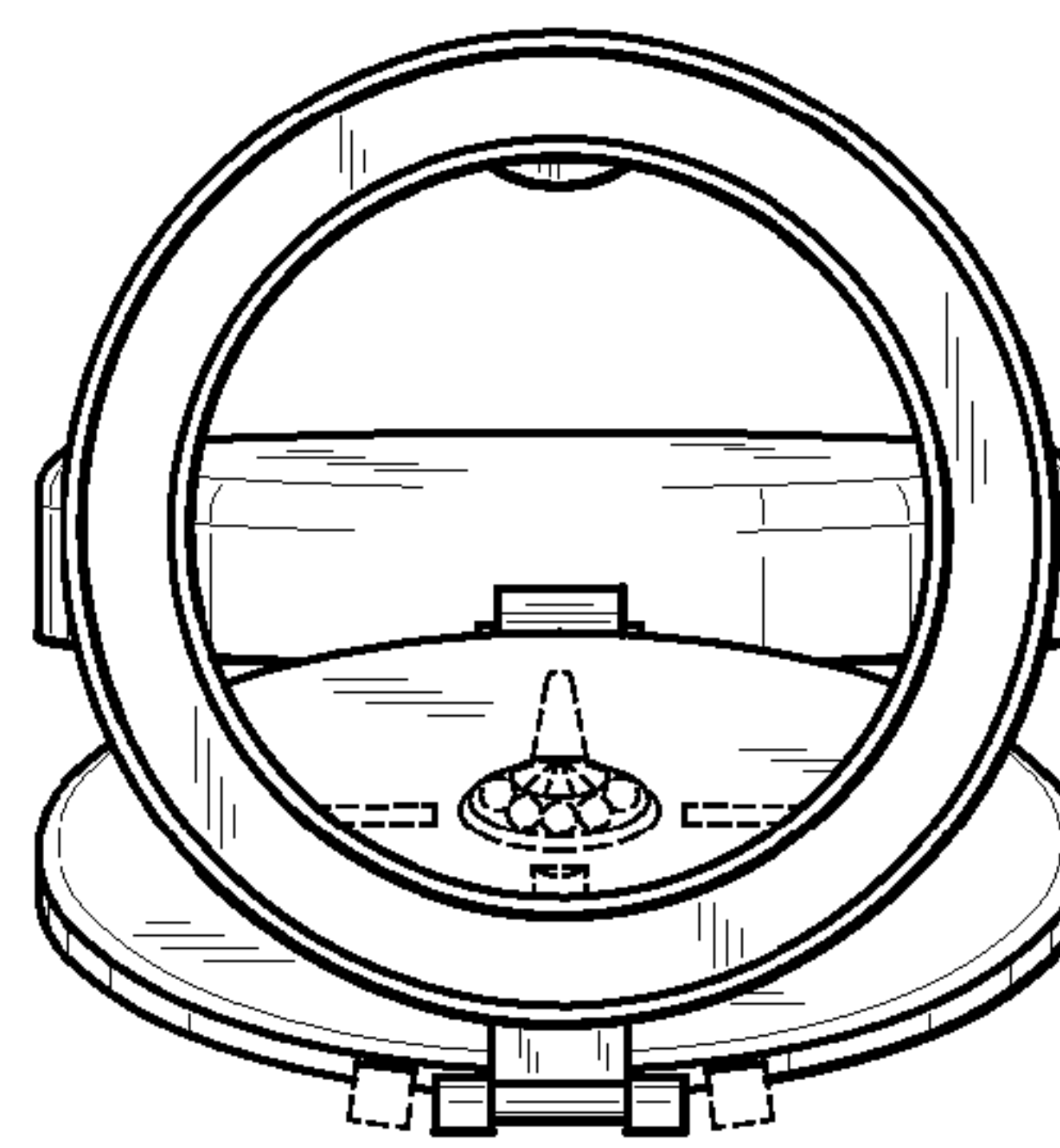


FIG. 7

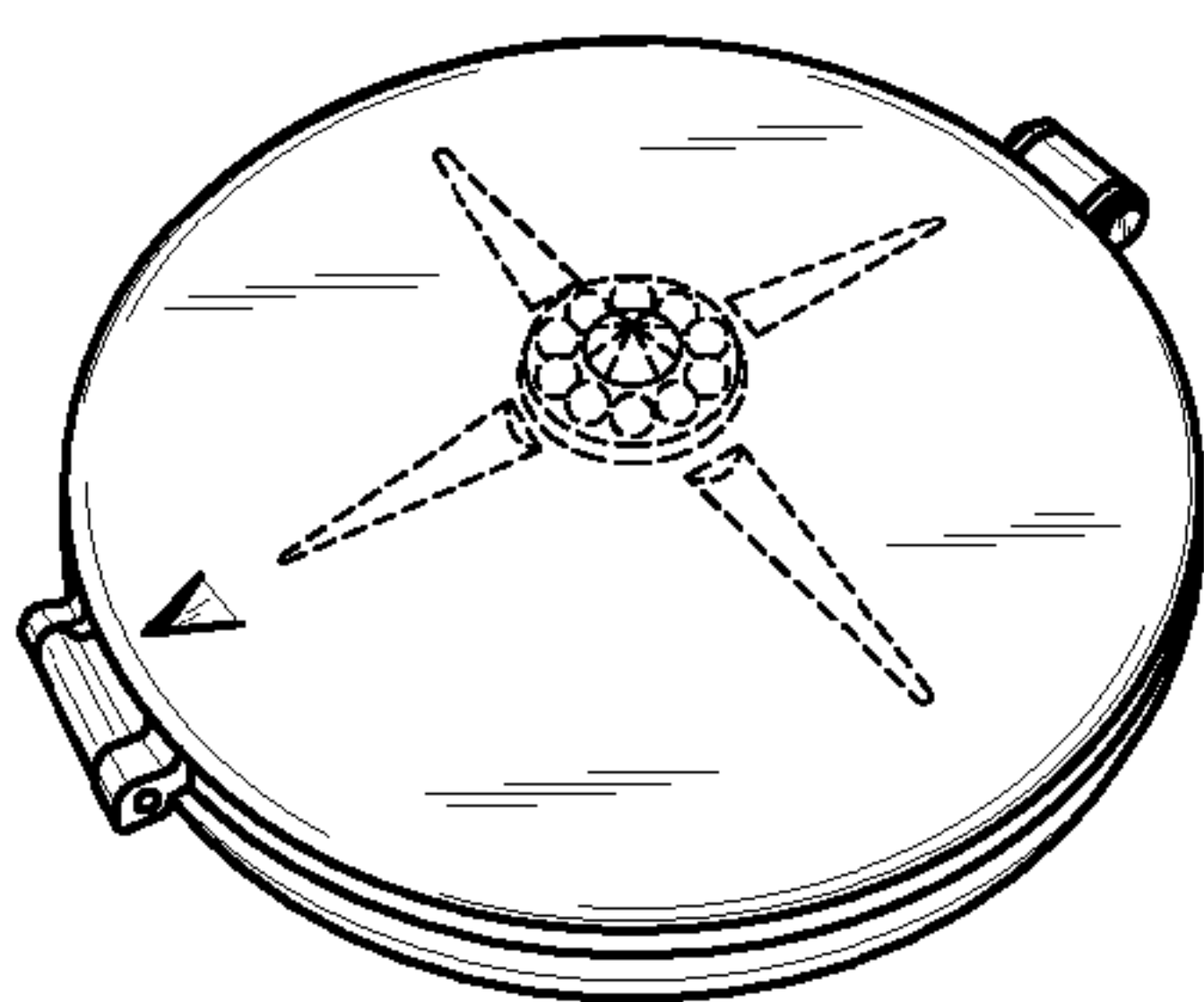


FIG. 8



FIG. 9

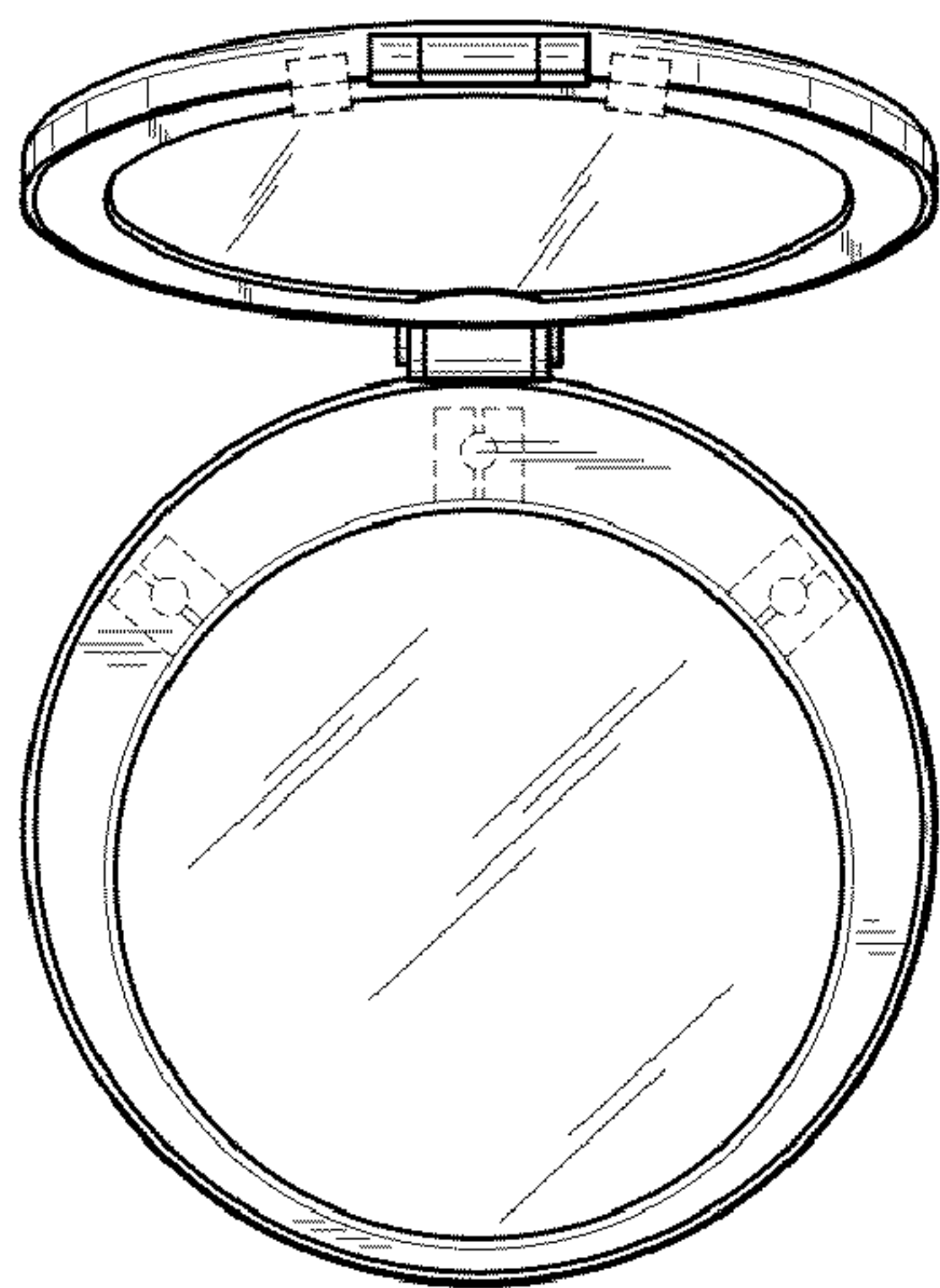
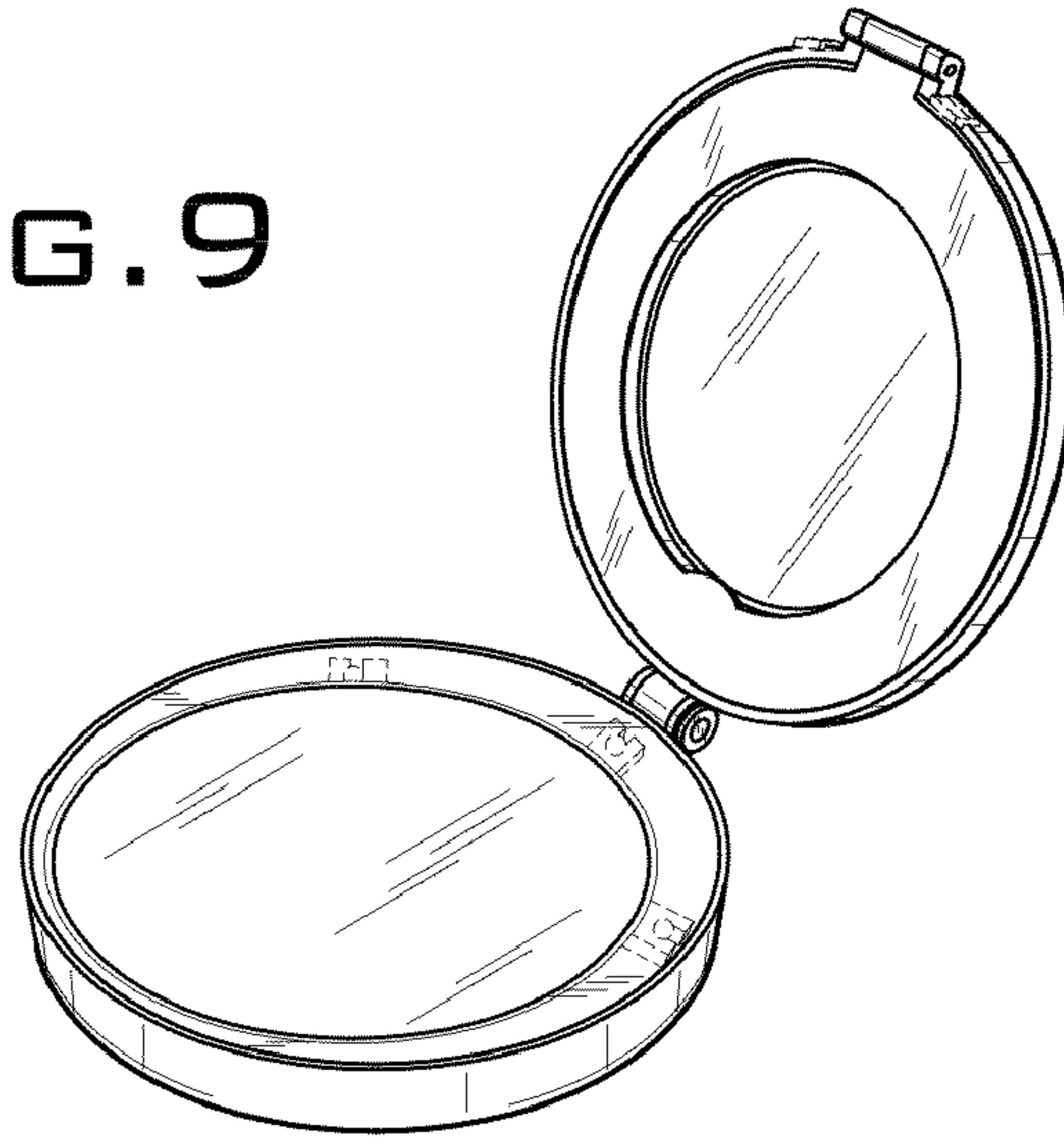


FIG. 10

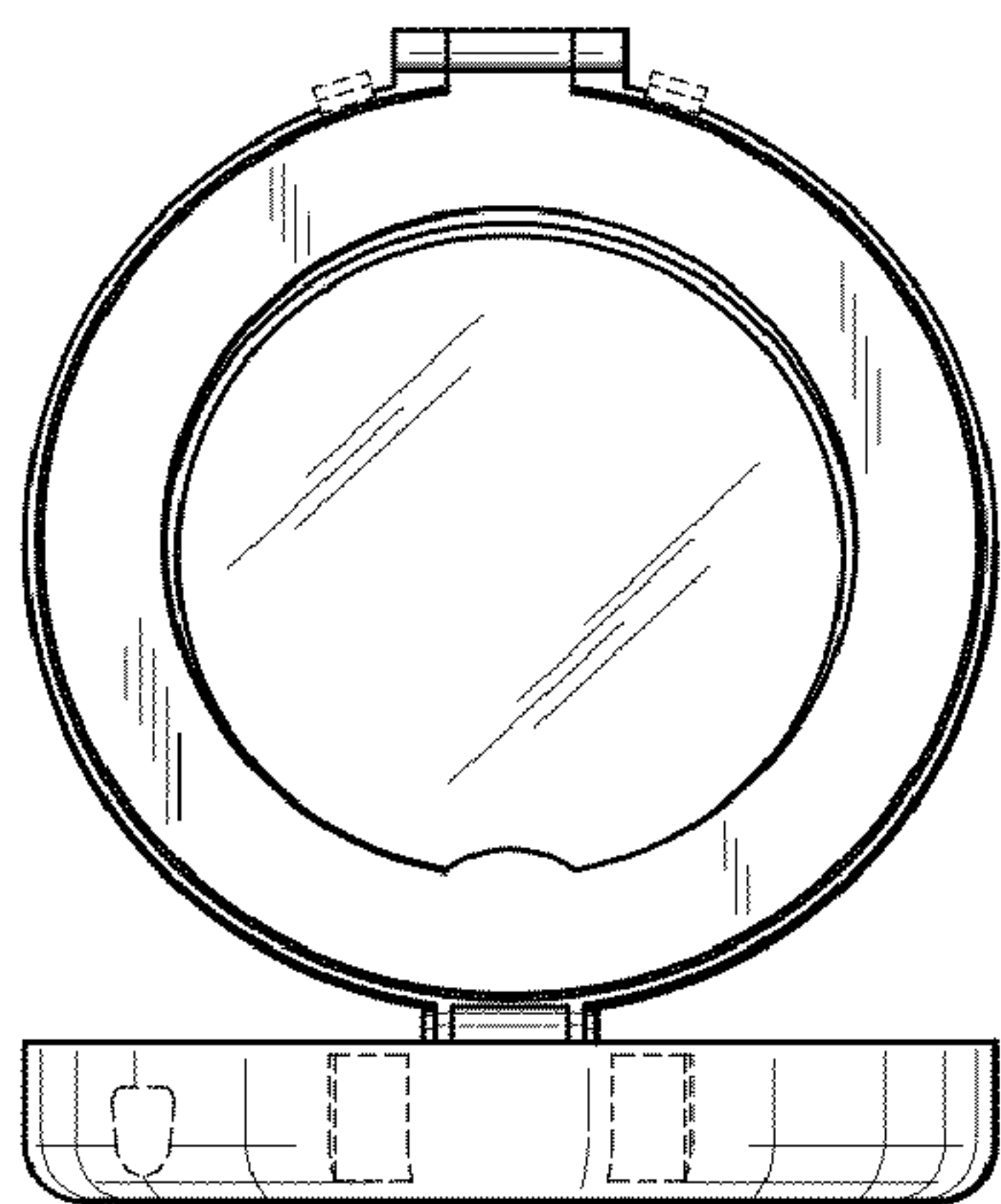


FIG. 11

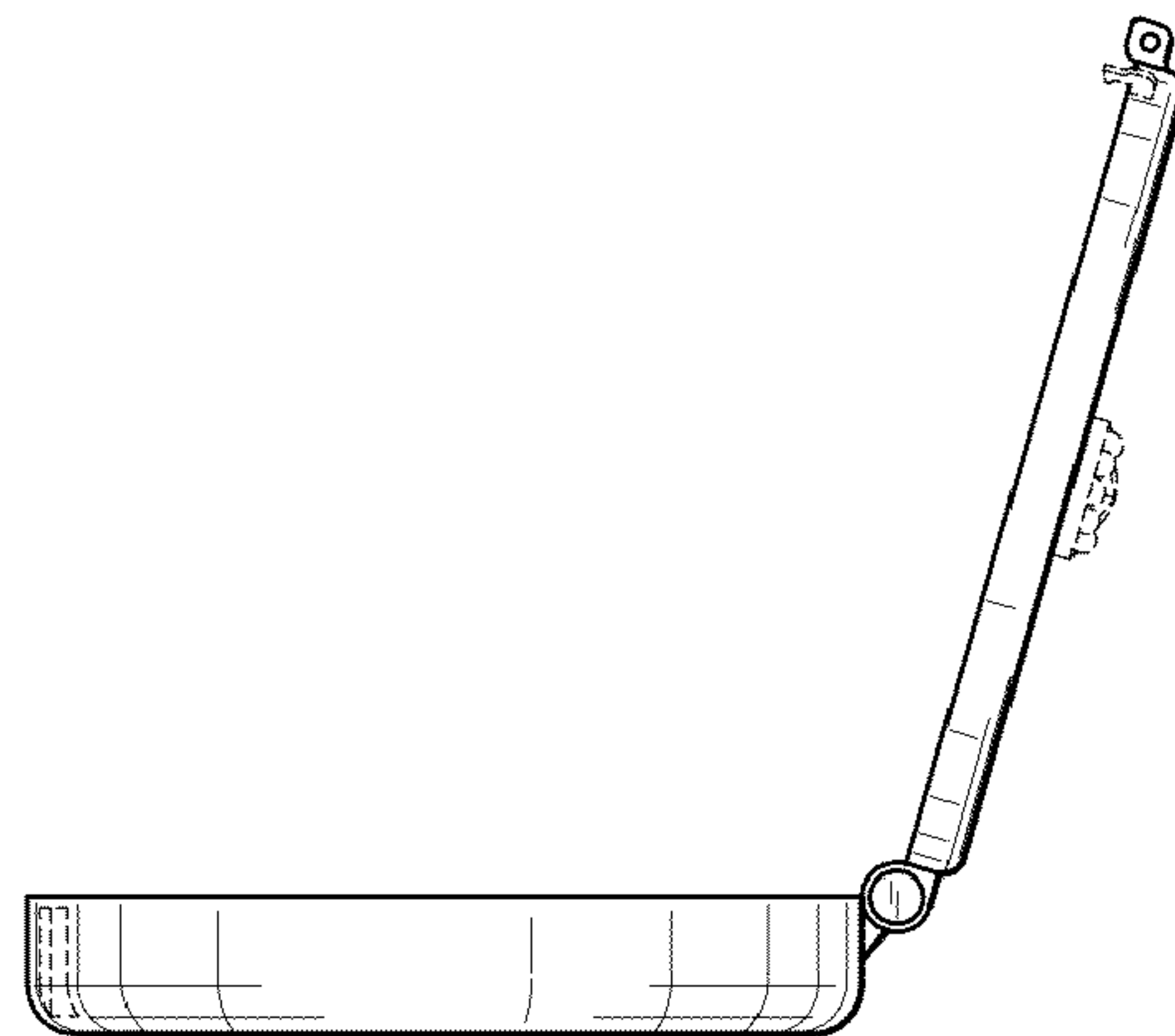


FIG. 12

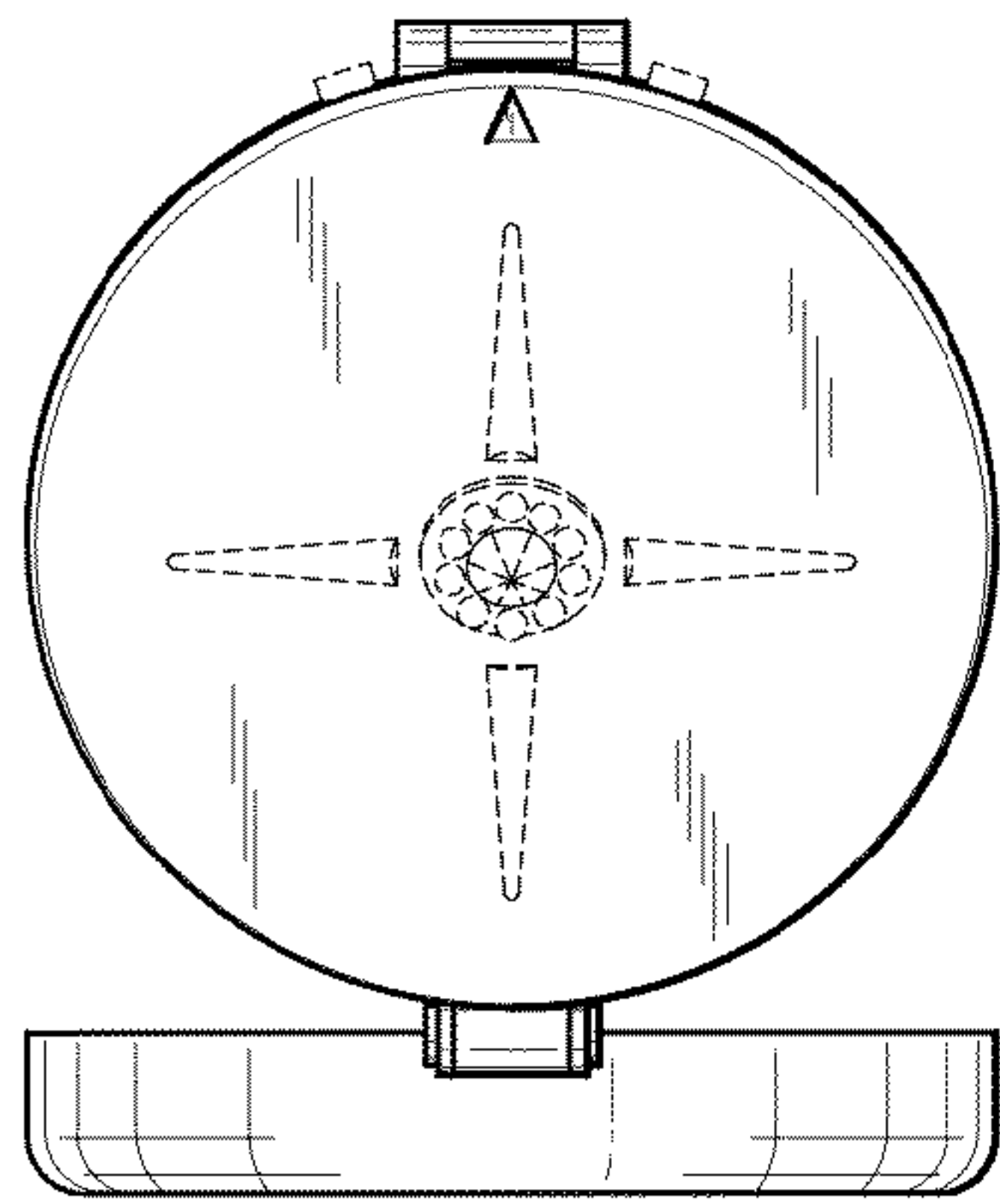


FIG. 13

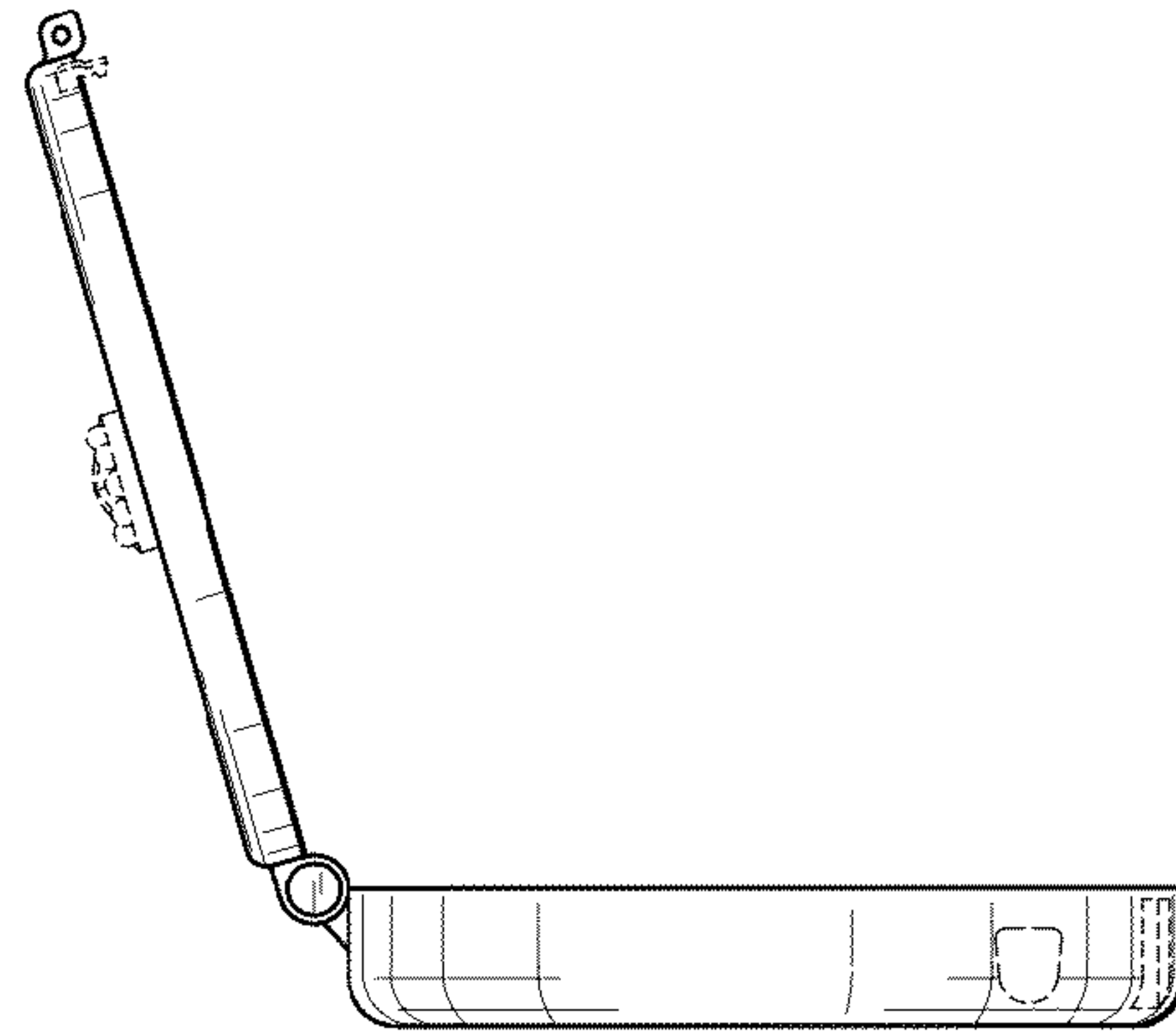


FIG. 14

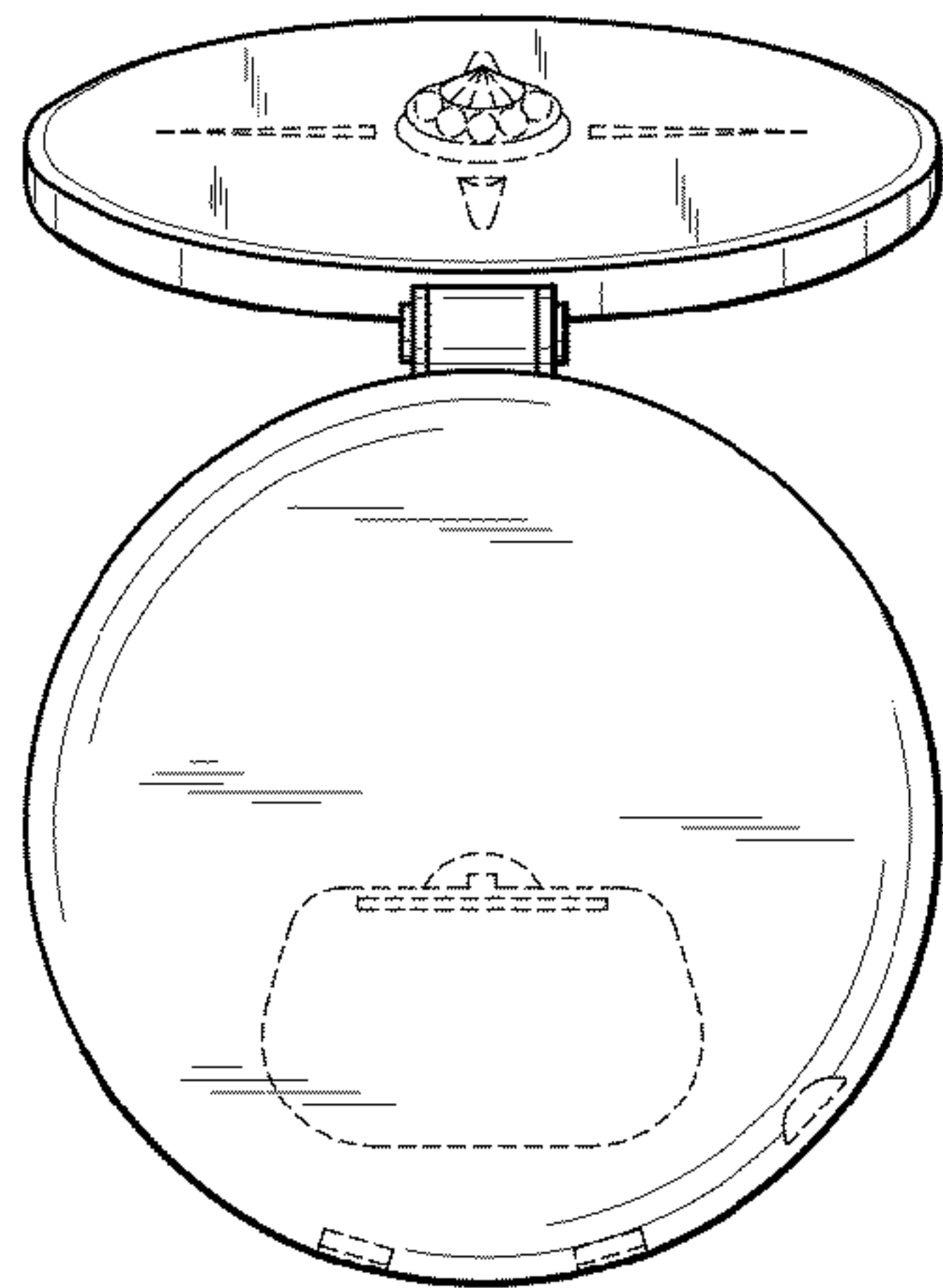


FIG. 15