



US00D679098S

(12) **United States Design Patent**
Ogawa

(10) **Patent No.:** **US D679,098 S**

(45) **Date of Patent:** **** Apr. 2, 2013**

(54) **PLASTER AND PRESSURE SENSITIVE ADHESIVE TAPE**

(75) Inventor: **Shotaro Ogawa**, Odawara (JP)

(73) Assignee: **Fujifilm Corporation**, Tokyo (JP)

(**) Term: **14 Years**

(21) Appl. No.: **29/401,128**

(22) Filed: **Sep. 7, 2011**

(30) **Foreign Application Priority Data**

Mar. 7, 2011 (JP) 2011-005181

(51) **LOC (9) Cl.** **05-05**

(52) **U.S. Cl.** **D5/47; D5/99**

(58) **Field of Classification Search** D5/4, 7, D5/11, 43, 47, 50, 53-56, 61, 63, 99; D6/582, D6/602, 612, 613, 617, 622; D24/124-126; D32/40; 4/581; 5/402, 490, 495; 15/208, 15/215; 112/401, 402; 139/383 B, 383 R, 139/416, 420 B, 420 R, 428; 162/111, 116, 162/134, 140, 416; 245/2; 428/32, 37, 39, 428/57, 66.5, 79, 85, 181, 221, 542.6; 442/181, 442/320, 327; 604/385.01

See application file for complete search history.

(56) **References Cited**

U.S. PATENT DOCUMENTS

2,917,223	A *	12/1959	Le Bolt et al.	383/32
3,352,079	A *	11/1967	Strong	52/577
D313,319	S *	1/1991	Legare	D5/53
D313,512	S *	1/1991	Legare	D5/53
5,034,258	A *	7/1991	Grace	428/78
5,082,712	A *	1/1992	Starp	428/95
5,399,406	A *	3/1995	Matsuo et al.	428/57
5,667,873	A *	9/1997	Beckenbach	428/141
D401,100	S *	11/1998	Stull	D6/582
6,187,210	B1 *	2/2001	Lebouitz et al.	216/11
D440,406	S *	4/2001	Bailey	D5/53
D575,702	S *	8/2008	Lapierre	D12/174
D589,290	S *	3/2009	Hatta et al.	D6/587
D653,858	S *	2/2012	Cordovana	D5/47
2004/0143211	A1 *	7/2004	Haider et al.	604/46

2004/0209103	A1 *	10/2004	Tseng	428/542.2
2005/0171480	A1 *	8/2005	Mukerjee et al.	604/173
2008/0221532	A1 *	9/2008	Ogawa	604/272
2011/0042847	A1 *	2/2011	Ogawa et al.	264/219
2011/0111664	A1 *	5/2011	Goering et al.	442/181
2012/0078189	A1 *	3/2012	Ogawa et al.	604/173

FOREIGN PATENT DOCUMENTS

JP	1216524	9/2004
JP	1216525	9/2004
JP	1216767	9/2004
JP	1227877	1/2005
JP	1354630	3/2009
JP	1369844	9/2009
JP	4427691	12/2009

* cited by examiner

Primary Examiner — Karen S Acker

(74) *Attorney, Agent, or Firm* — Young & Thompson

(57) **CLAIM**

The ornamental design for a plaster and pressure sensitive adhesive tape, as shown and described.

DESCRIPTION

FIG. 1 is an enlarged perspective view of a plaster and pressure sensitive adhesive tape showing the new design in an environmental use;

FIG. 2 is a further enlarged perspective view of a portion thereof;

FIG. 3 is a non-enlarged top plan view of the design of FIG. 1, showing the design in the middle of a second environmental use;

FIG. 4 is a bottom plan view thereof;

FIG. 5 is a front elevation view thereof;

FIG. 6 is a rear elevation view thereof;

FIG. 7 is a right side elevation view thereof;

FIG. 8 is a left side elevation view thereof;

FIG. 9 is an enlarged top plan view of 9-9 section of FIG. 3;

FIG. 10 is a non-enlarged cross-sectional view taken along line 10-10 of FIG. 3;

FIG. 11 is an enlarged partial cross-sectional view taken along line 11-11 of FIG. 10;

FIG. 12 is an enlarged partial cross-sectional view taken along line 12-12 of FIG. 9; and, FIG. 13 is an enlarged partial cross-sectional view taken along line 13-13 of FIG. 9.

The details outlined in broken lines are for depicting the environment and are not part of the claimed design.

1 Claim, 10 Drawing Sheets

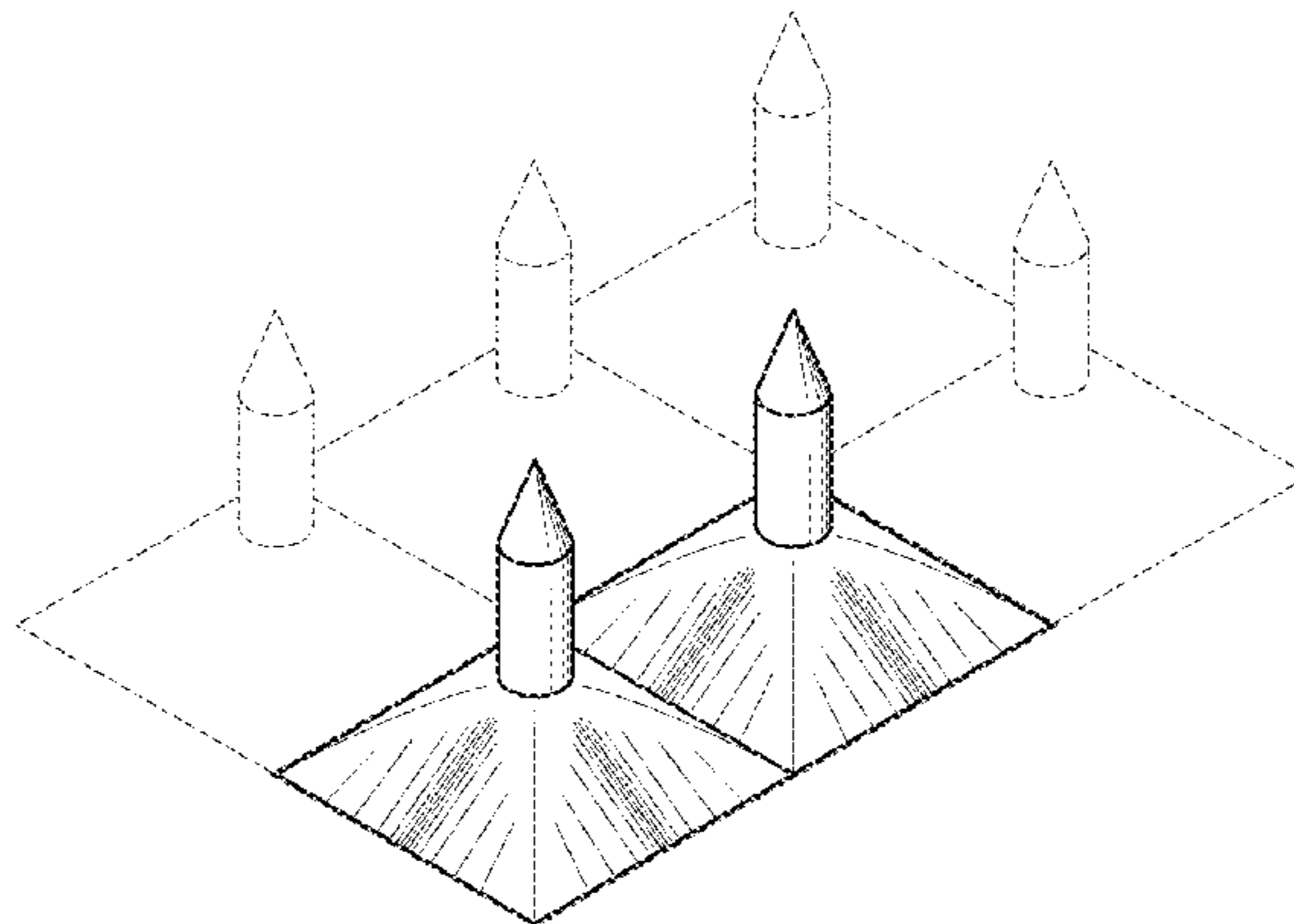


FIG. 1

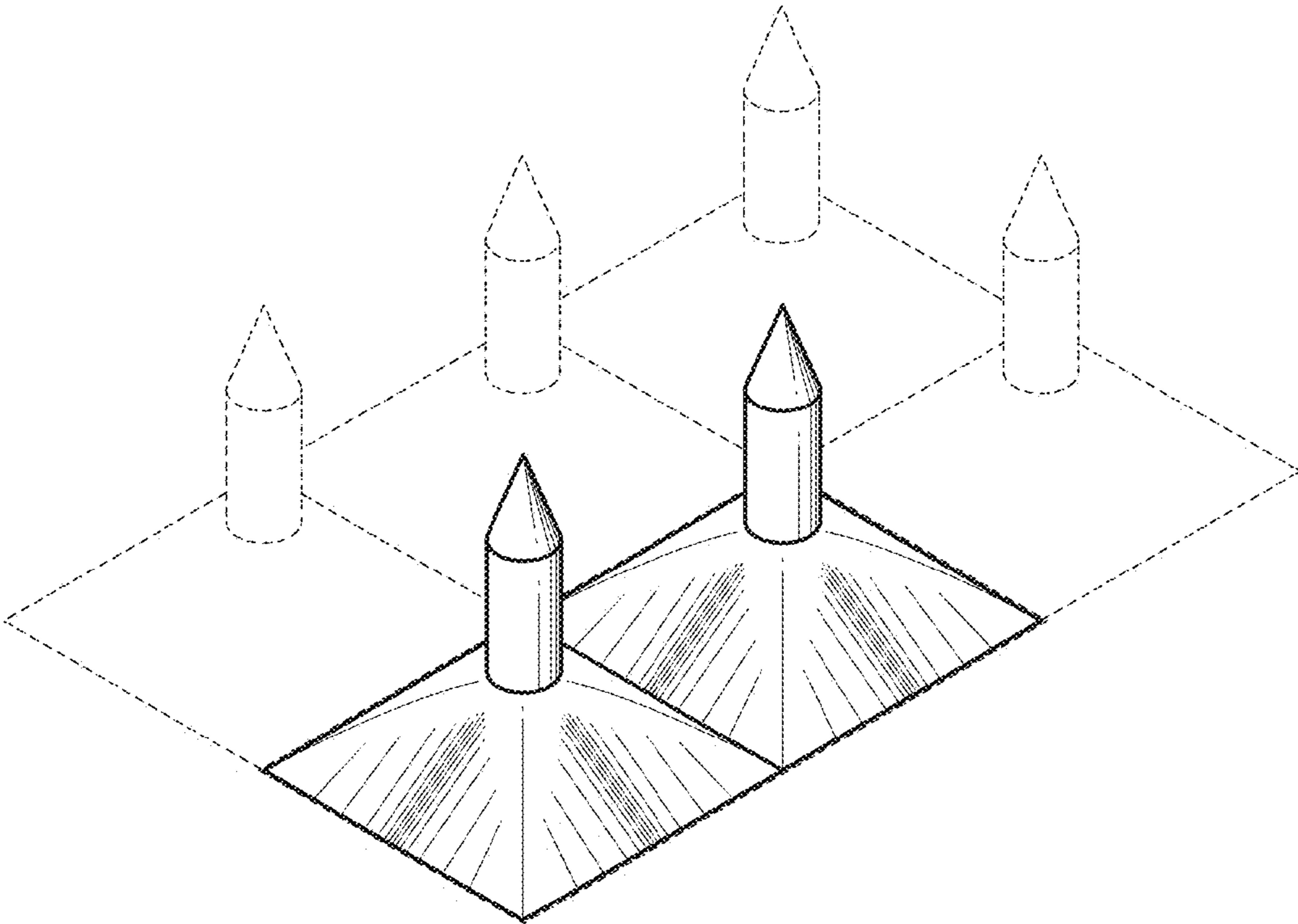


FIG. 2

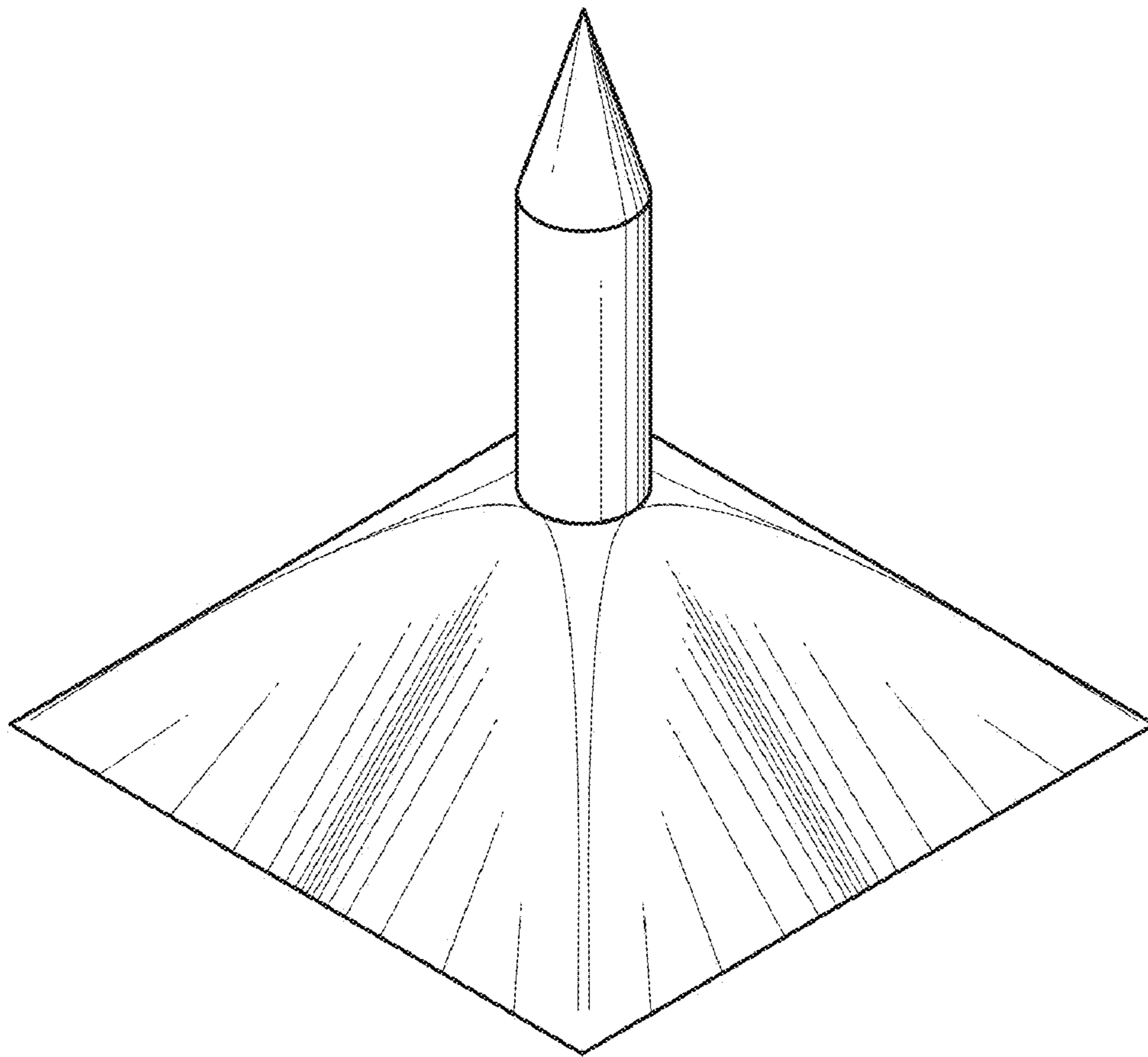


FIG. 3

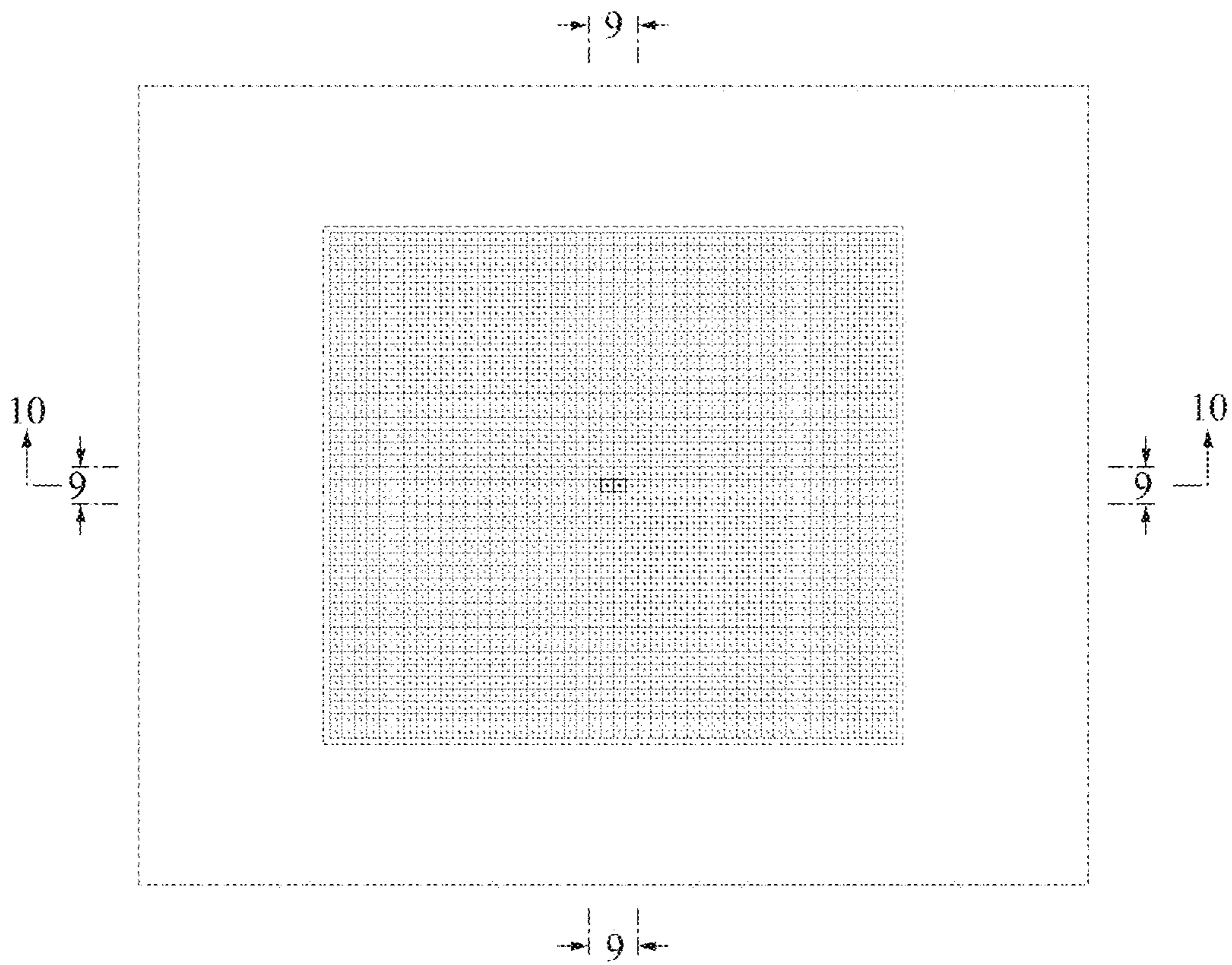


FIG. 4

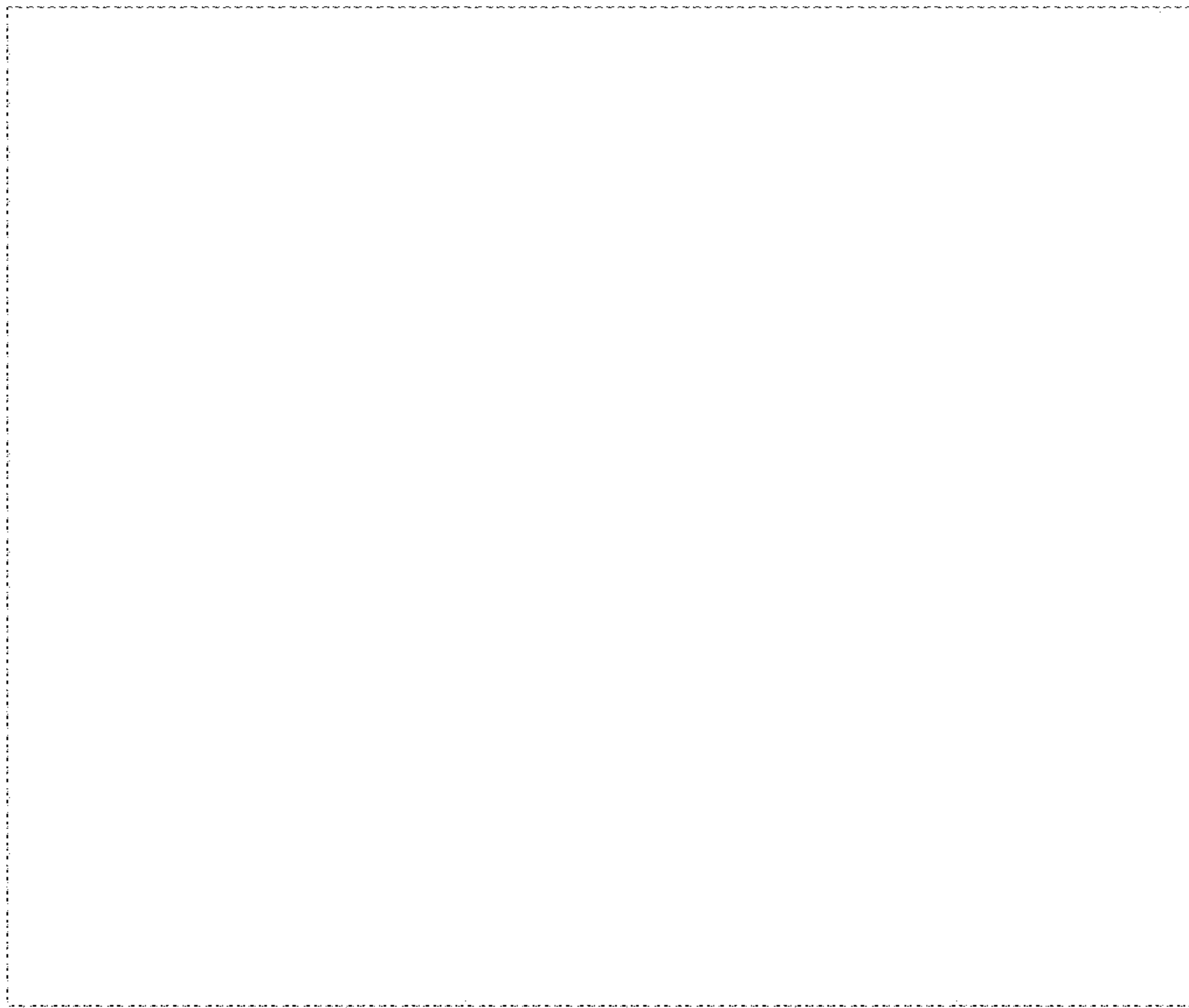


FIG. 5



FIG. 6

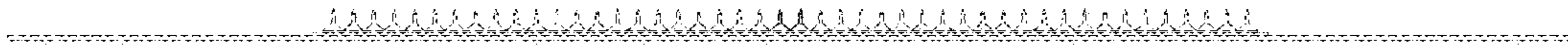


FIG. 7



FIG. 8



FIG. 9

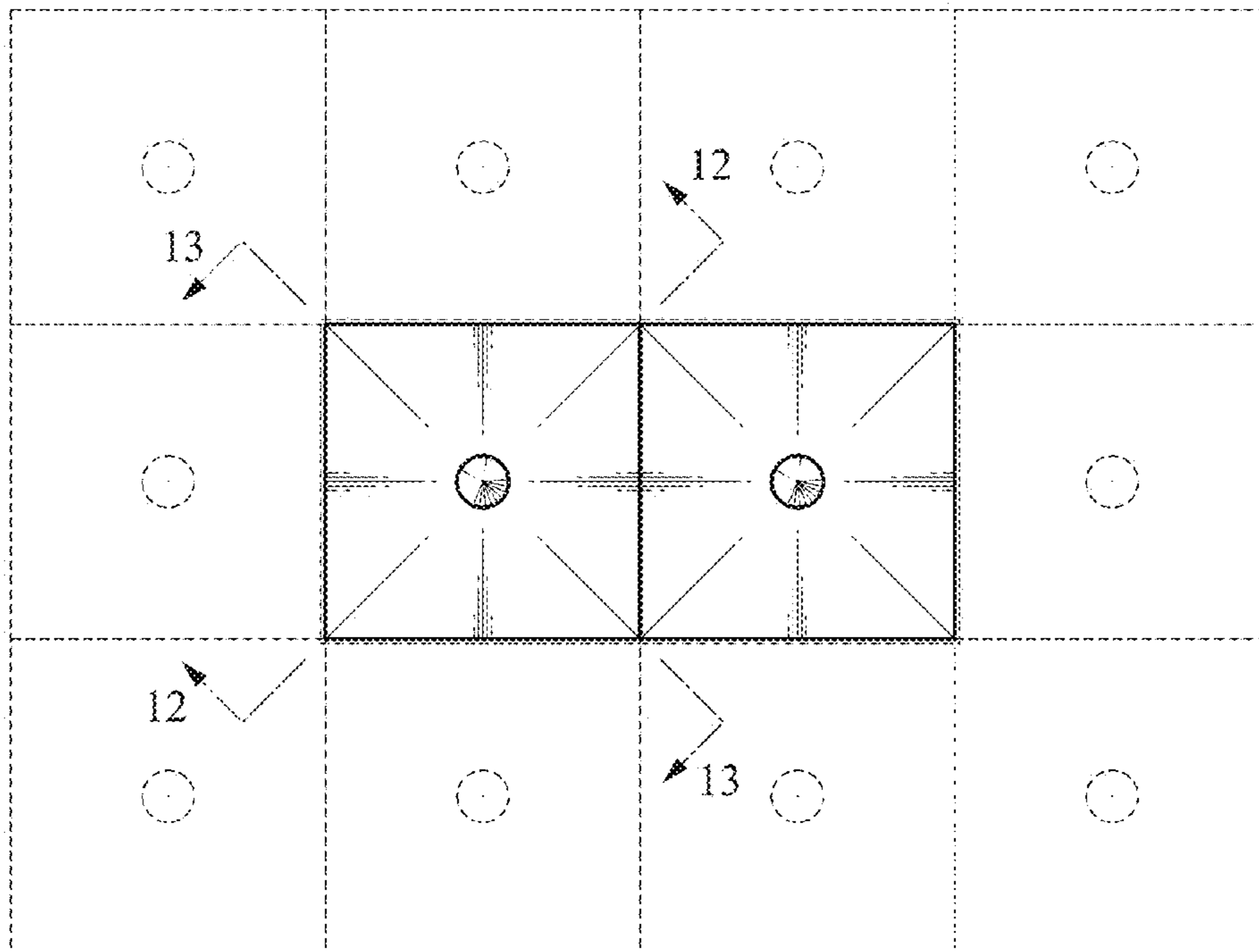


FIG. 10

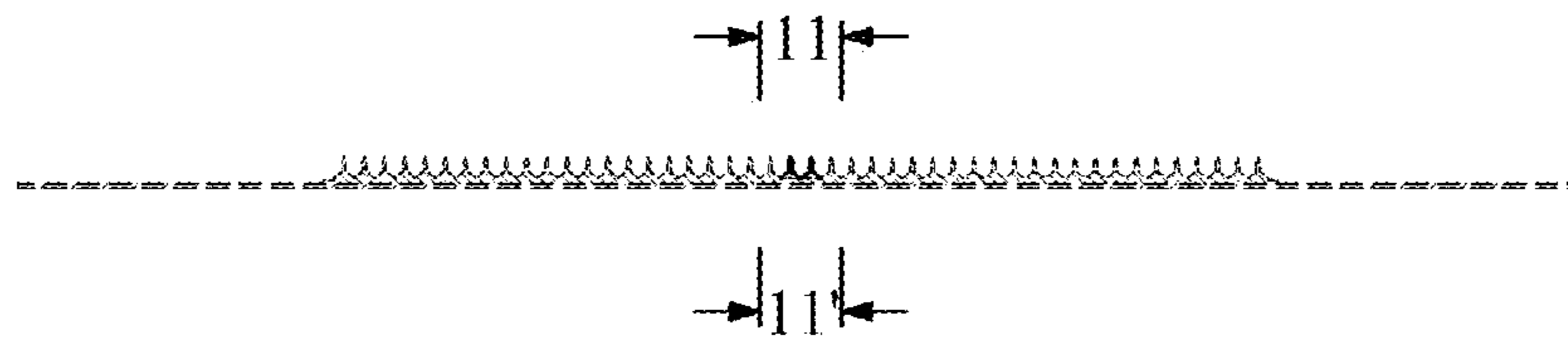


FIG. 11

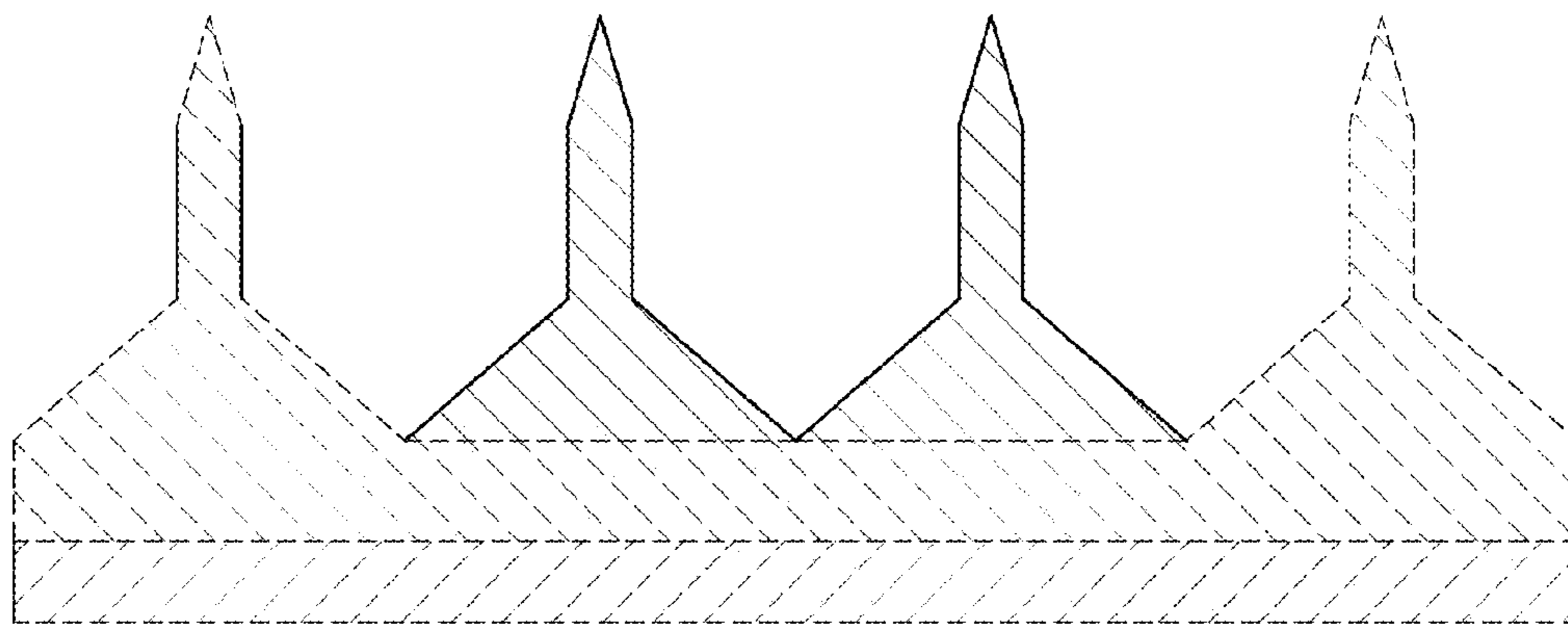


FIG. 12

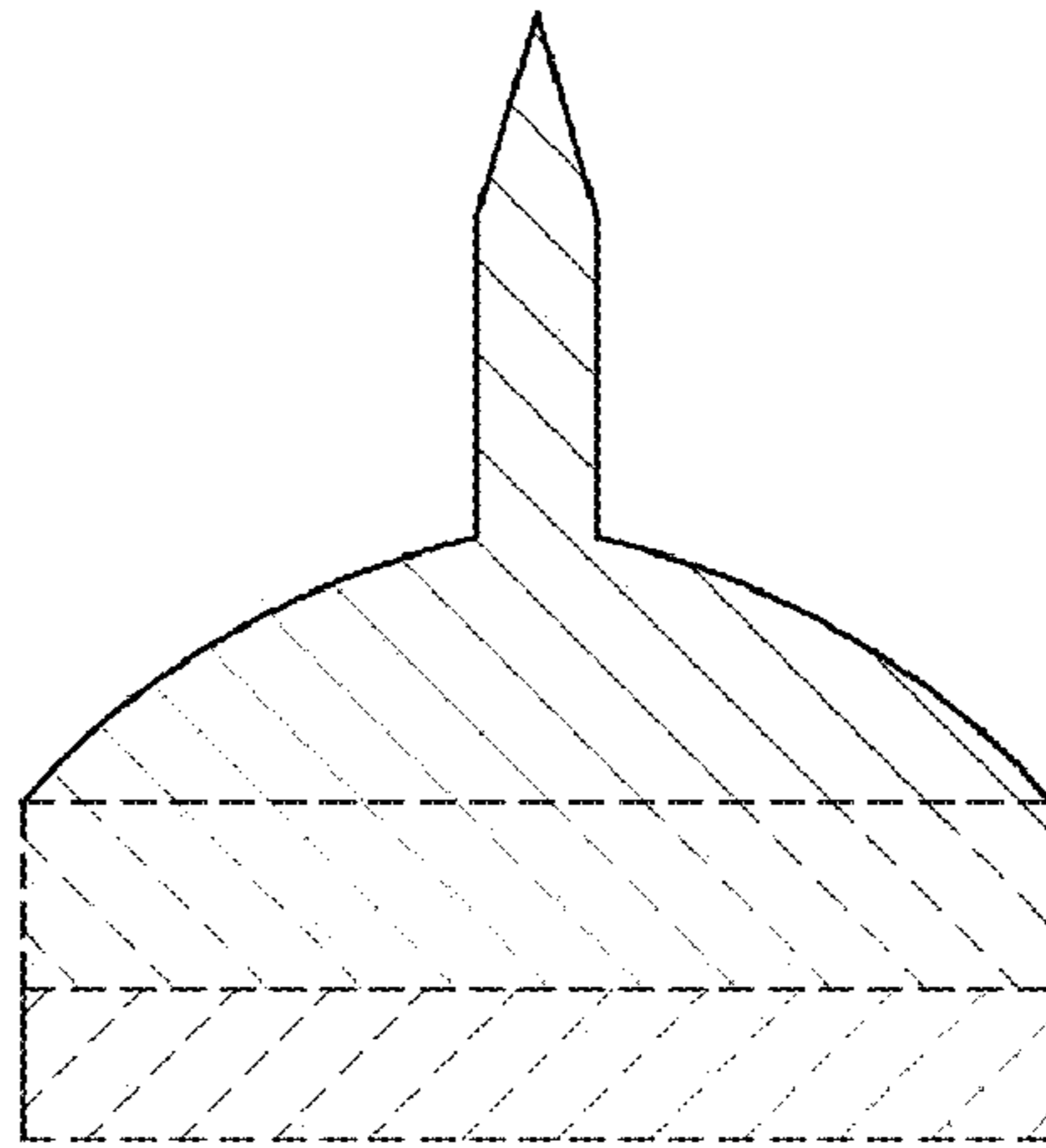


FIG. 13

