

US00D679097S

(12) **United States Design Patent**  
**Jacob et al.**

(10) **Patent No.:** **US D679,097 S**

(45) **Date of Patent:** **\*\* Apr. 2, 2013**

(54) **MOLDED MASCARA BRUSH HEAD WITH BRANCHED TEETH**

(75) Inventors: **Christophe Jacob**, Saint Denis le Thiboult (FR); **Herve F. Bouix**, New York, NY (US)

(73) Assignee: **ELC Management LLC**, New York, NY (US)

(\*\*) Term: **14 Years**

(21) Appl. No.: **29/400,858**

(22) Filed: **Sep. 1, 2011**

(51) **LOC (9) Cl.** ..... **04-02**

(52) **U.S. Cl.** ..... **D4/128**

(58) **Field of Classification Search** ..... D4/104–112, D4/128, 136; D24/133, 146, 147, 152, 194; D28/65, 68; 15/27, 167.1, 167.2, 186–188; 132/308, 309, 321, 329; 433/80, 89, 102, 433/141, 216

See application file for complete search history.

(56) **References Cited**

U.S. PATENT DOCUMENTS

3,121,040	A	2/1964	Shaw et al.	
3,881,211	A	5/1975	Rhodes	
4,461,312	A	7/1984	Gueret	
D289,828	S	5/1987	Bautista	
4,804,004	A	2/1989	Taylor	
5,657,775	A	8/1997	Chou	
5,694,953	A	12/1997	Stephan et al.	
6,026,534	A	2/2000	Gonda et al.	
6,767,209	B1	7/2004	Tomita et al.	
6,817,053	B2	11/2004	Nakamura	
7,337,785	B2	3/2008	Gueret	
D588,818	S *	3/2009	Berhault	D4/128
D590,601	S *	4/2009	Schrepf	D4/128
D592,858	S *	5/2009	Berhault	D4/128
D593,329	S *	6/2009	Berhault	D4/128
D593,331	S *	6/2009	Berhault	D4/128
D598,656	S	8/2009	Berhault	
D598,657	S *	8/2009	Berhault	D4/128
D599,115	S *	9/2009	Berhault	D4/128
D600,923	S *	9/2009	Berhault	D4/128
7,581,898	B2	9/2009	Gueret	
D631,664	S *	2/2011	Limongi et al.	D4/128
D632,086	S *	2/2011	Kulik	D4/128

D634,127	S *	3/2011	Burgess et al.	D4/128
D637,004	S *	5/2011	Manici	D4/128
D642,805	S *	8/2011	Burgess et al.	D4/128
D656,739	S *	4/2012	Edmondson et al.	D4/128
D664,361	S *	7/2012	Edmondson et al.	D4/128
2010/0083979	A1	4/2010	Kim	
2010/0175708	A1	7/2010	Kim	

FOREIGN PATENT DOCUMENTS

FR	2744608	8/1997
JP	10276828	10/1998
JP	2005144100	6/2005

OTHER PUBLICATIONS

PCT International Search Report; International Application No. PCT/US2012/051869; Completion Date: Jan. 24, 2013; Mailing Date: Jan. 24, 2013.

PCT Written Opinion of the International Searching Authority; International Application No. PCT/US2012/051889; Completion Date: Jan. 24, 2013; Mailing Date: Jan. 24, 2013.

\* cited by examiner

*Primary Examiner* — Austin Murphy

(74) *Attorney, Agent, or Firm* — Martin W. Haerter

(57) **CLAIM**

The ornamental design for a molded mascara brush head with branched teeth, substantially as shown and described.

**DESCRIPTION**

FIG. 1 is a top, front and left side perspective view of our new design for a mascara brush head;

FIG. 2 is a top plan view of the mascara brush head shown in FIG. 1, a bottom plan view being a mirror image thereof;

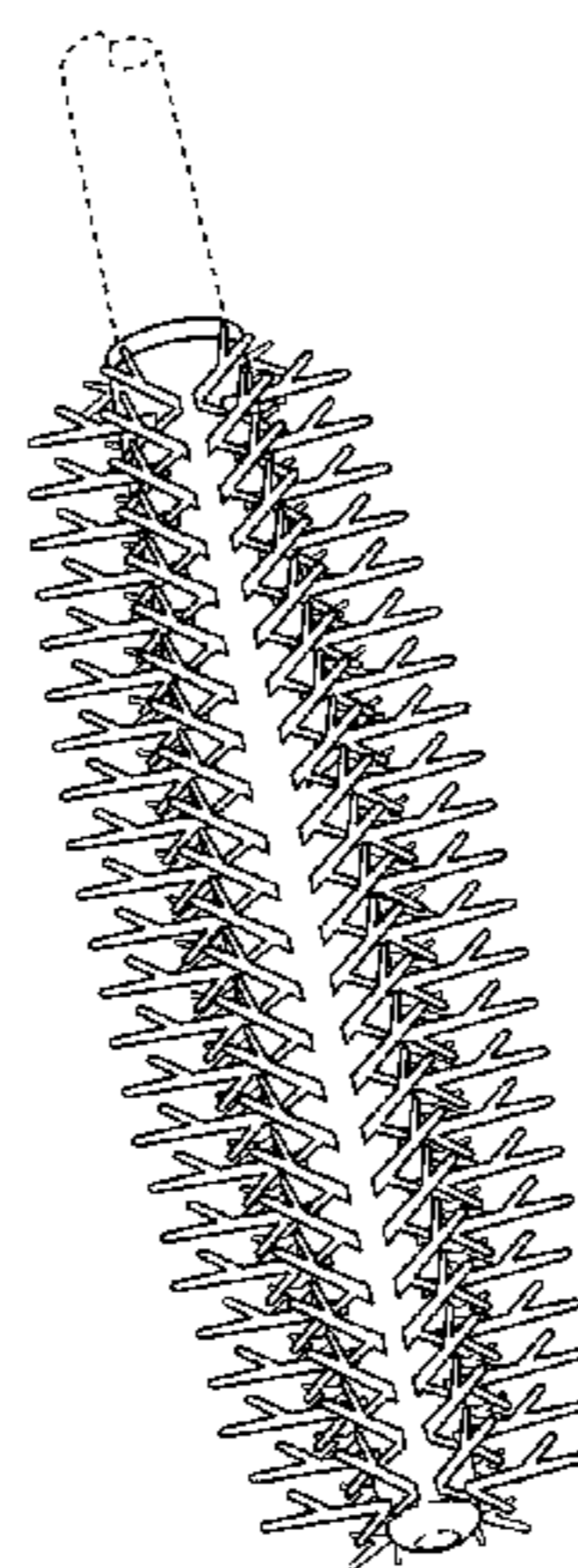
FIG. 3 is a front elevation view of the mascara brush head shown in FIG. 1;

FIG. 4 is a rear elevation view of the mascara brush head shown in FIG. 1; and,

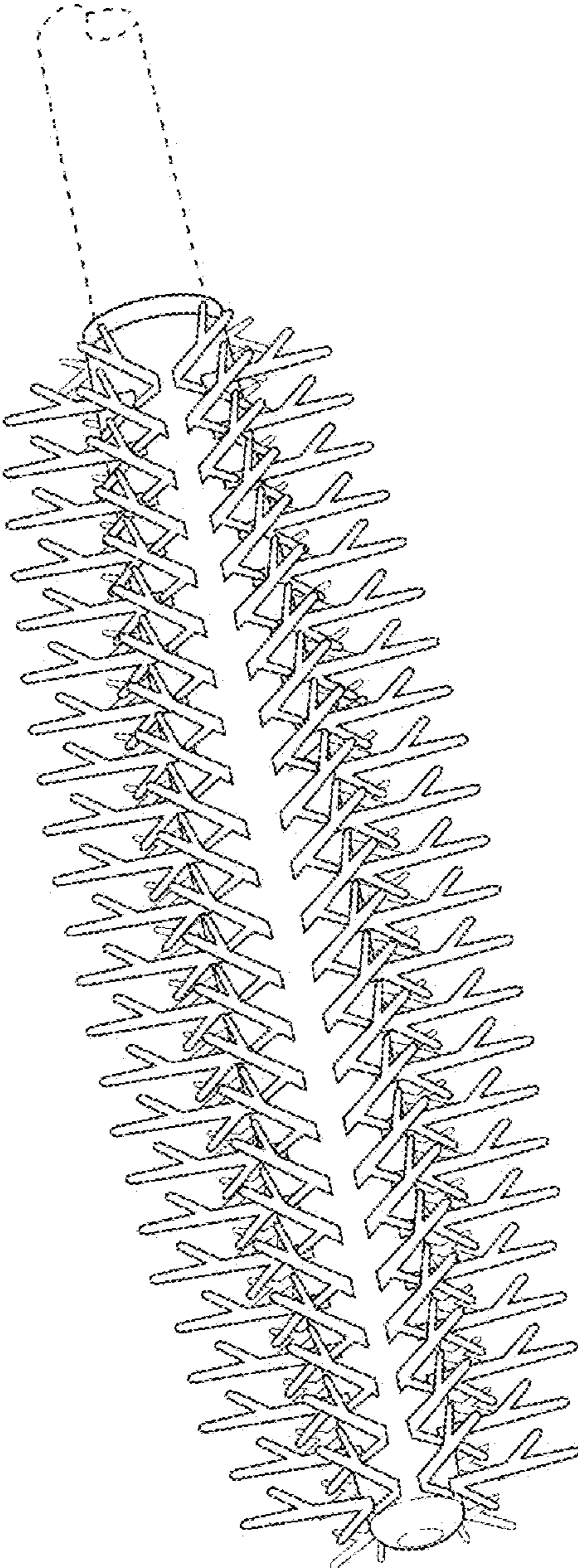
FIG. 5 is a left side elevation view of the mascara brush head shown in FIG. 1, a right side elevation view being a mirror image thereof.

The broken lines showing a partial stem rod illustrate environmental structure that forms no part of the claimed design.

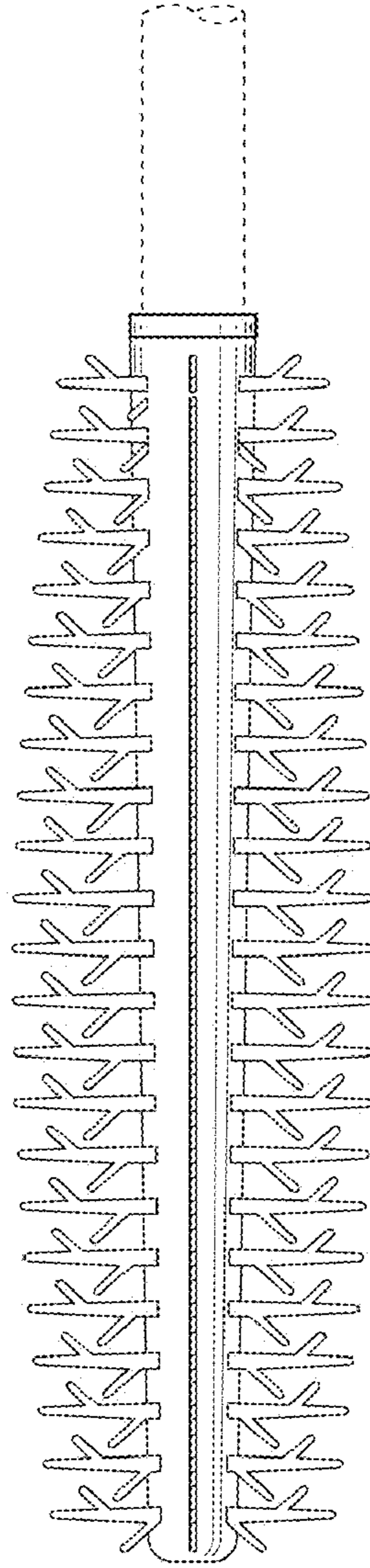
**1 Claim, 3 Drawing Sheets**



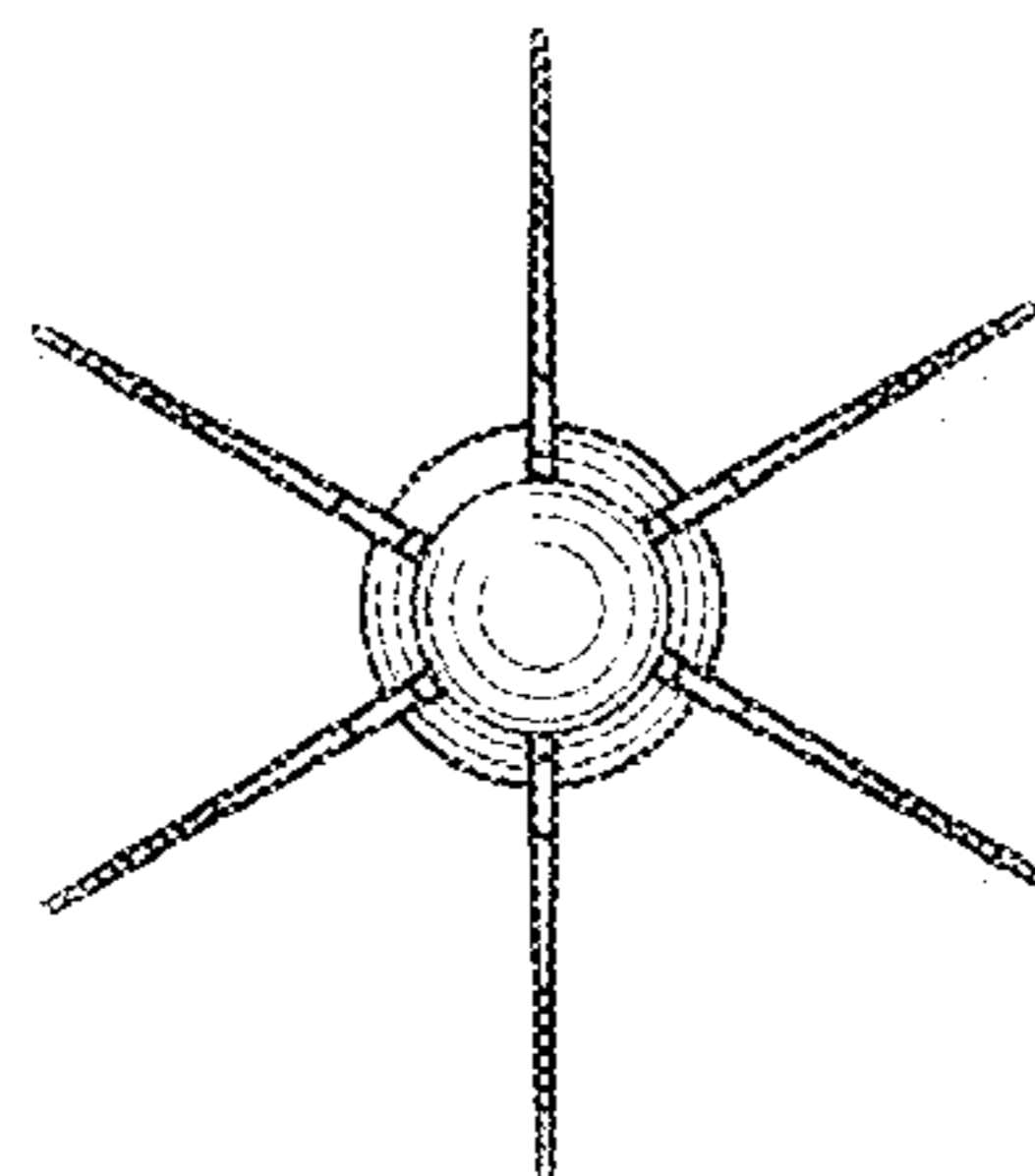
**FIG. 1**



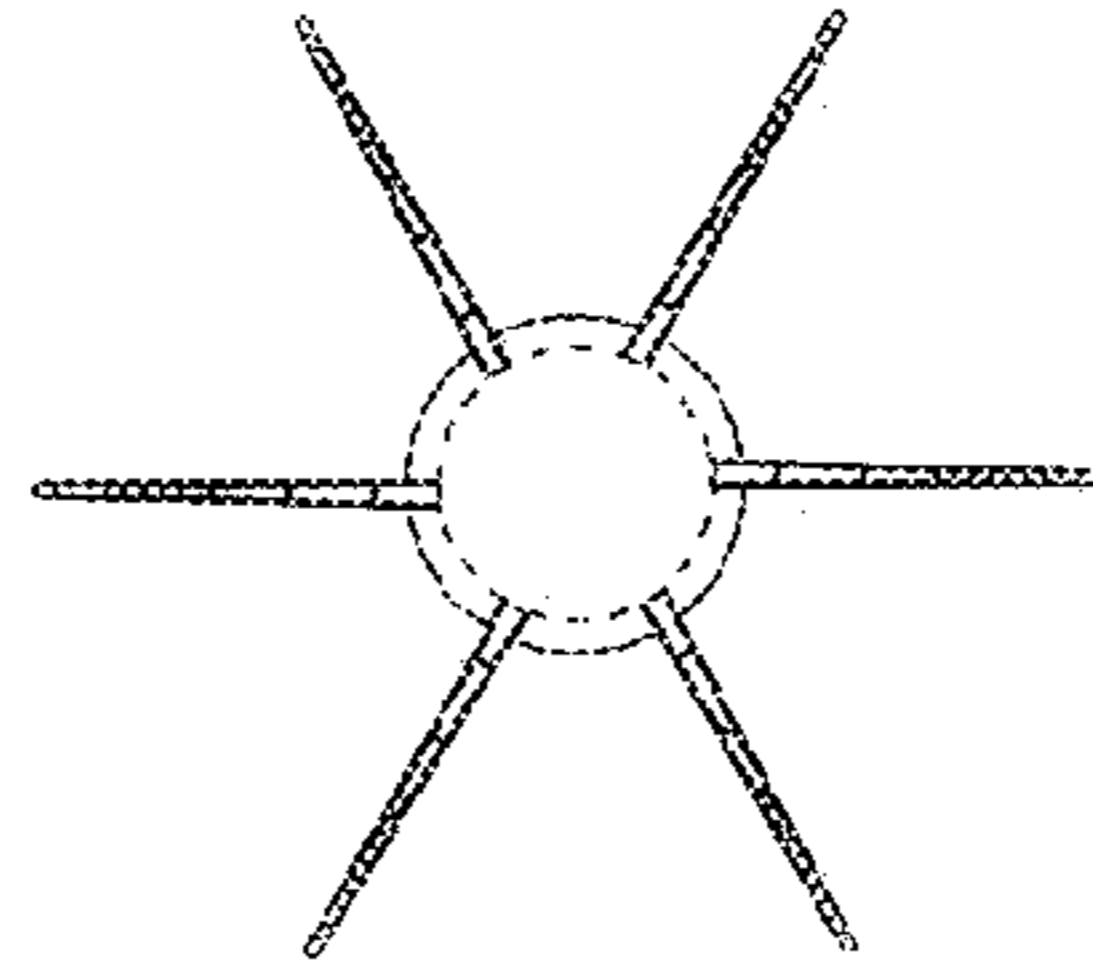
**FIG. 2**



**FIG. 3**



**FIG. 4**



**FIG. 5**

