

US00D679094S

(12) **United States Design Patent**
Scott

(10) **Patent No.:** **US D679,094 S**

(45) **Date of Patent:** **** Apr. 2, 2013**

(54) **BOX**

(76) Inventor: **William Scott**, Villa Hills, KY (US)

(**) Term: **14 Years**

(21) Appl. No.: **29/391,492**

(22) Filed: **May 10, 2011**

(51) **LOC (9) Cl.** **03-01**

(52) **U.S. Cl.** **D3/307**

(58) **Field of Classification Search** D3/302,
D3/304-305, 307-315; D34/1; D19/75-76,
D19/86, 90-91, 99-100; 229/100, 117.13,
229/117.16, 120.12, 120.24, 120.29; 312/183-184,
312/107; 211/45-46, 10-11, 126.13
See application file for complete search history.

3,195,798 A 7/1965 Wilson
3,282,462 A 11/1966 Box
3,301,386 A 1/1967 Carter
3,314,532 A 4/1967 Henry
3,366,496 A 1/1968 Bomar et al.
3,379,341 A 4/1968 Miles
3,438,562 A 4/1969 Connor et al.
3,667,666 A 6/1972 Pryor
3,670,949 A 6/1972 Galanes
3,684,159 A 8/1972 Wolfe
3,692,231 A 9/1972 Neitzke et al.
3,713,579 A 1/1973 Chaffers
3,724,920 A 4/1973 Beck
3,844,473 A 10/1974 Whelan
D242,021 S 10/1976 Shanklin
4,030,600 A 6/1977 Heaps
4,101,052 A 7/1978 Dove
4,172,522 A 10/1979 Muller et al.
4,199,832 A * 4/1980 Glasscock et al. 449/30
4,285,150 A 8/1981 Richardson et al.
4,291,830 A 9/1981 Sorensen

(56) **References Cited**

U.S. PATENT DOCUMENTS

1,457,770 A 6/1923 Dodge
1,623,547 A 4/1927 Neumann
1,897,672 A 2/1933 Neumann
1,974,674 A 9/1934 Halladay et al.
2,054,355 A 9/1936 Anderson, Jr.
2,124,409 A 7/1938 Andrews
2,253,008 A 8/1941 Anderson, Jr.
2,289,619 A 7/1942 Anderson, Jr.
2,307,349 A 1/1943 Anderson, Jr.
2,307,350 A 1/1943 Anderson, Jr.
2,365,182 A 12/1944 Ferguson
2,418,963 A 4/1947 Anderson, Jr.
2,460,230 A 1/1949 Makrianes
2,537,801 A 1/1951 Swatsick
2,559,552 A 7/1951 Welshenbach
2,561,979 A 7/1951 George
2,604,255 A 7/1952 Welshenbach
2,629,499 A 2/1953 Welshenbach
2,645,353 A 7/1953 Anderson, Jr.
3,002,650 A 10/1961 Lovell
3,049,279 A 8/1962 Mairs et al.
3,107,041 A 10/1963 Wagner, Jr.
3,138,283 A 6/1964 Peebles
3,186,586 A 6/1965 Box

FOREIGN PATENT DOCUMENTS

WO WO 99/25621 5/1999

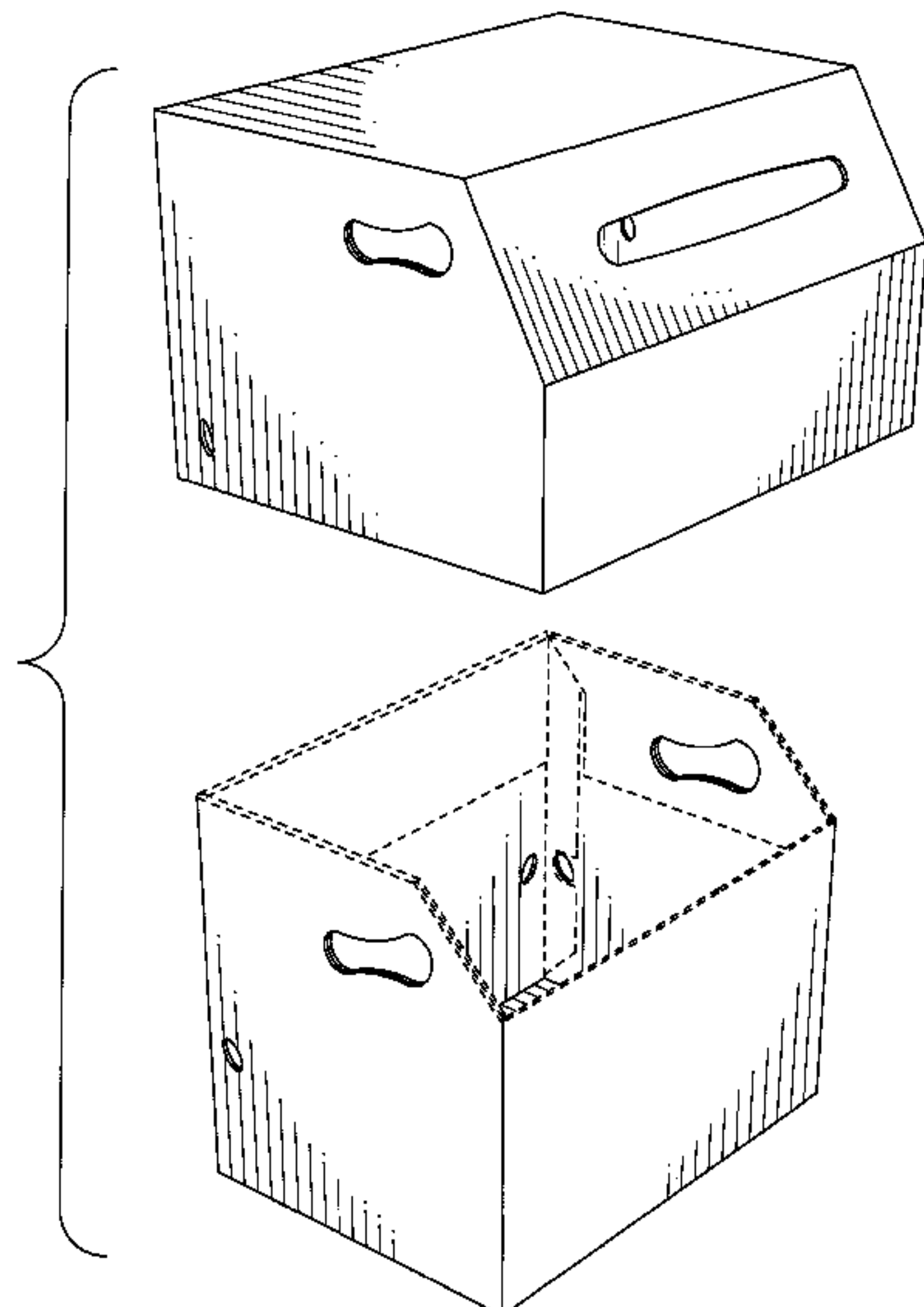
Primary Examiner — Kelley Donnelly
(74) *Attorney, Agent, or Firm* — Hasse & Nesbitt LLC;
Donald E. Hasse; Daniel F. Nesbitt

(57) **CLAIM**
An ornamental design for a box, as shown and described.

DESCRIPTION

FIG. 1 is an exploded top perspective view of a box;
FIG. 2 is an exploded left side view thereof;
FIG. 3 is an exploded front view thereof;
FIG. 4 is an exploded rear view thereof;
FIG. 5 is a top view thereof; and,
FIG. 6 is a top perspective view thereof.
The broken lines shown in the drawings are for illustrative purposes only and form no part of the claimed design.

1 Claim, 6 Drawing Sheets



US D679,094 S

Page 2

U.S. PATENT DOCUMENTS

4,325,493	A	4/1982	Paige		D453,275	S	2/2002	Stravitz
4,380,290	A	4/1983	Luebke		D461,120	S	8/2002	Ostro
2,822,973	A	2/1985	Armstrong et al.		6,527,167	B1 *	3/2003	Sheffer 229/174
4,617,702	A	10/1986	Diederich, Jr.		6,705,515	B2	3/2004	Dowd
4,768,704	A	9/1988	Beckway et al.		D494,759	S	8/2004	Louie et al.
4,817,861	A	4/1989	Henrikson		D495,490	S	9/2004	Garrett et al.
4,927,074	A	5/1990	LaRue et al.		6,889,893	B2 *	5/2005	Kent 229/171
4,948,033	A *	8/1990	Halsell et al. 229/122.33		D507,404	S	7/2005	Moon et al.
4,961,497	A	10/1990	Sherer et al.		D518,526	S	4/2006	Benn
D312,531	S	12/1990	Sherer et al.		D526,893	S	8/2006	Nixon
5,042,657	A	8/1991	Dunn		D527,424	S *	8/2006	Long D19/77
D326,341	S	5/1992	Frauhiger		D539,036	S	3/2007	Potts et al.
5,295,632	A *	3/1994	Zink et al. 229/198		D542,033	S	5/2007	Kopenhaver et al.
D348,390	S	7/1994	Van Ness		D569,105	S	5/2008	Van Hoorn
5,429,295	A	7/1995	Levy		7,387,350	B2 *	6/2008	Killinger et al. 312/290
D361,892	S	9/1995	Quaintance		7,410,094	B2	8/2008	Bos
5,494,161	A	2/1996	Herbst		7,438,198	B2	10/2008	Pickles
5,503,324	A *	4/1996	Bacchetti et al. 229/112		D581,782	S *	12/2008	Kisch D9/756
D391,079	S	2/1998	Conti et al.		7,611,020	B2	11/2009	Prest
D394,950	S	6/1998	Kite		7,654,408	B2	2/2010	Bazany
5,779,129	A	7/1998	Herbst et al.		D615,775	S	5/2010	Fairbanks
D398,228	S	9/1998	Herbst et al.		7,726,552	B2	6/2010	Chadima
D398,230	S	9/1998	Herbst et al.		D627,562	S	11/2010	Osiecki et al.
5,908,152	A	6/1999	Tullis		D629,163	S *	12/2010	Sullivan D30/108
D421,183	S	2/2000	Koskinen		D633,296	S	3/2011	Potts et al.
D422,499	S	4/2000	Herbst et al.		8,079,474	B1 *	12/2011	Flaming 206/509
D423,587	S	4/2000	Conley et al.		D657,562	S	4/2012	McNamara
D424,117	S	5/2000	Steinbeck et al.		D658,407	S	5/2012	Pung et al.
D425,128	S	5/2000	Conley et al.		D661,096	S	6/2012	Dretzka
D425,562	S	5/2000	Conley et al.		8,251,276	B2 *	8/2012	McLeod 229/109
6,059,180	A	5/2000	Collins		2005/0029260	A1 *	2/2005	Sheng-Bin 220/9.1
6,123,254	A	9/2000	Dupuis		2005/0241971	A1	11/2005	Zou et al.
6,149,052	A	11/2000	Mueller		2005/0284906	A1	12/2005	Potts et al.
D448,567	S	10/2001	Buss		2008/0054059	A1	3/2008	Chadima
D448,568	S *	10/2001	Sadr D3/314		2010/0314268	A1	12/2010	Goodman

* cited by examiner

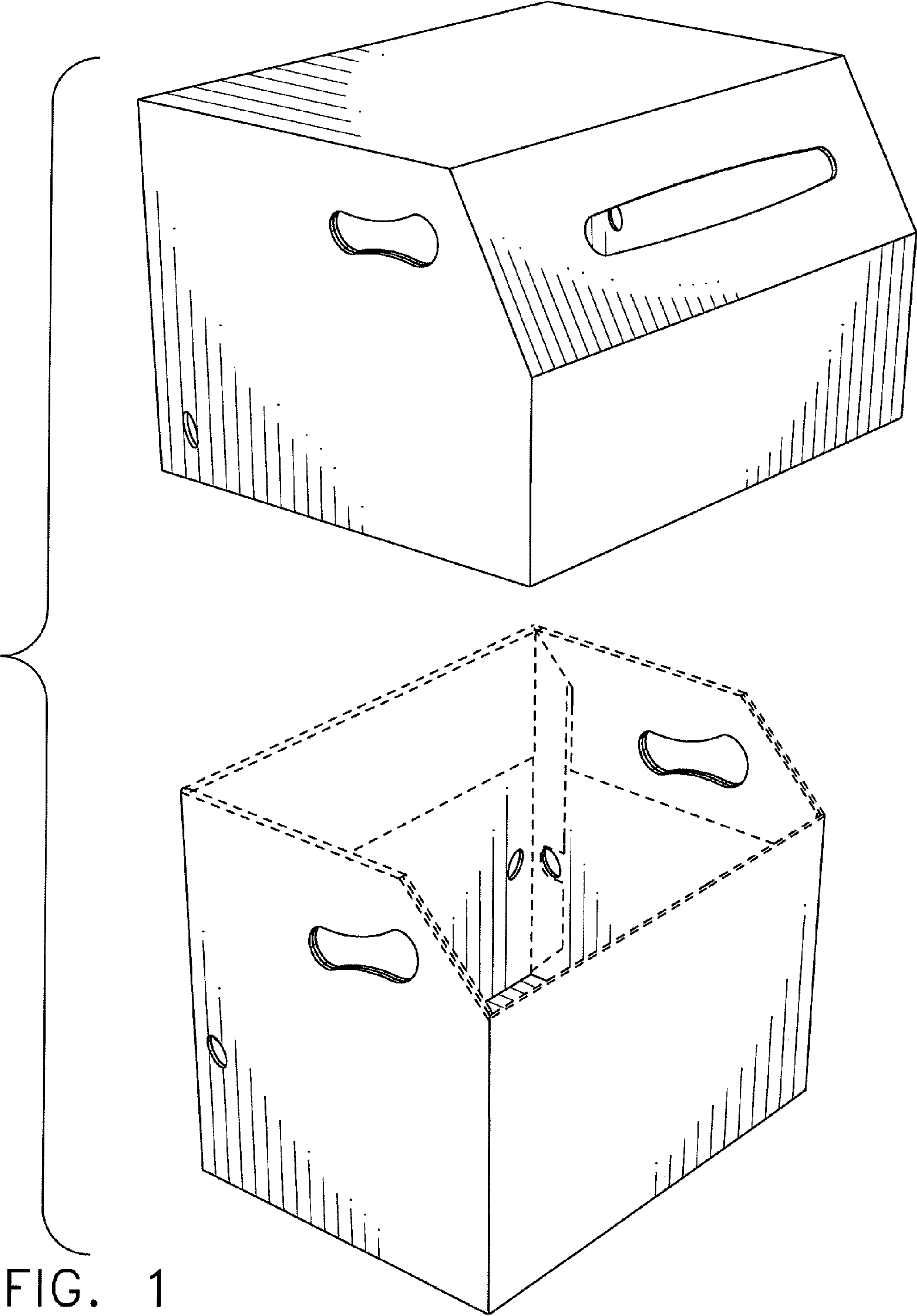


FIG. 1

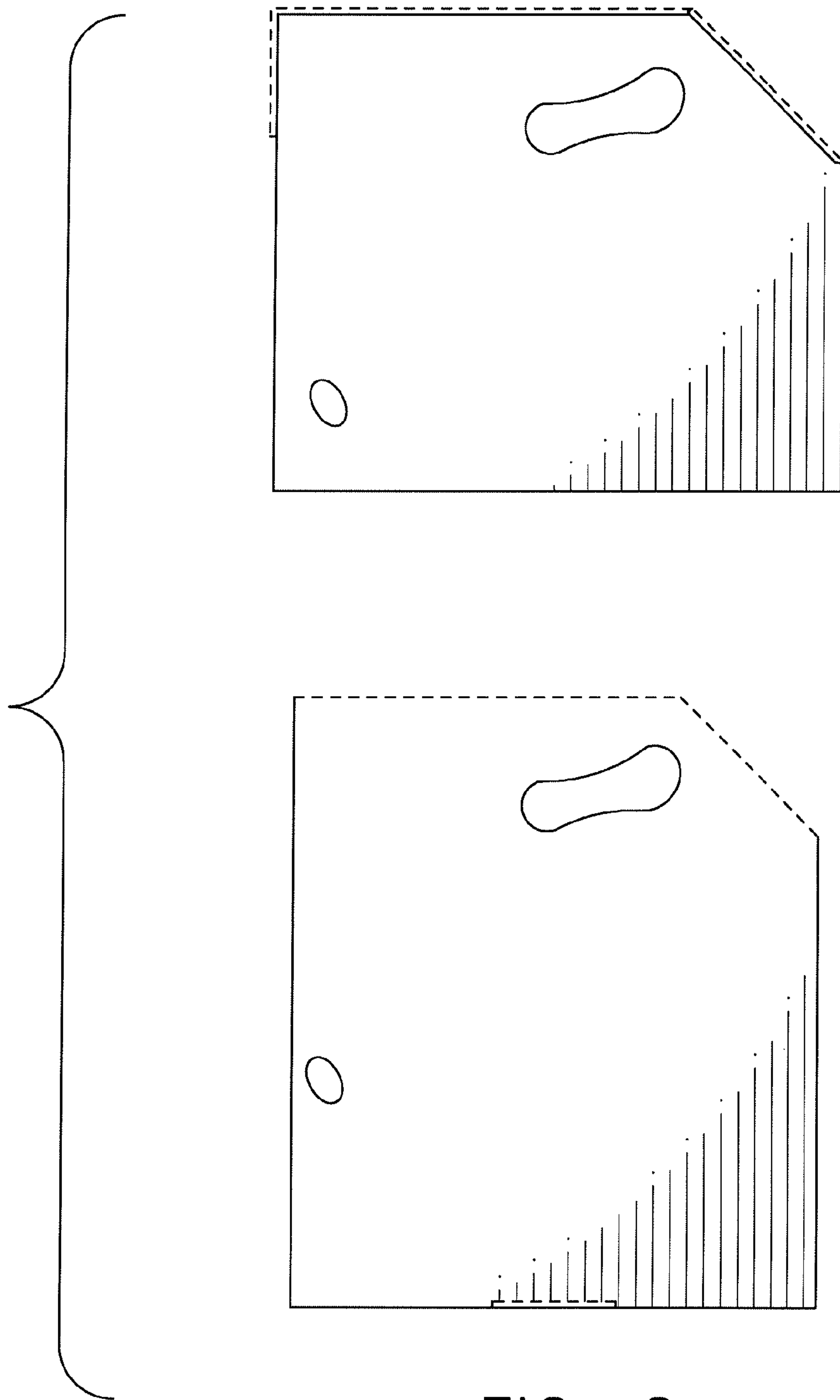


FIG. 2

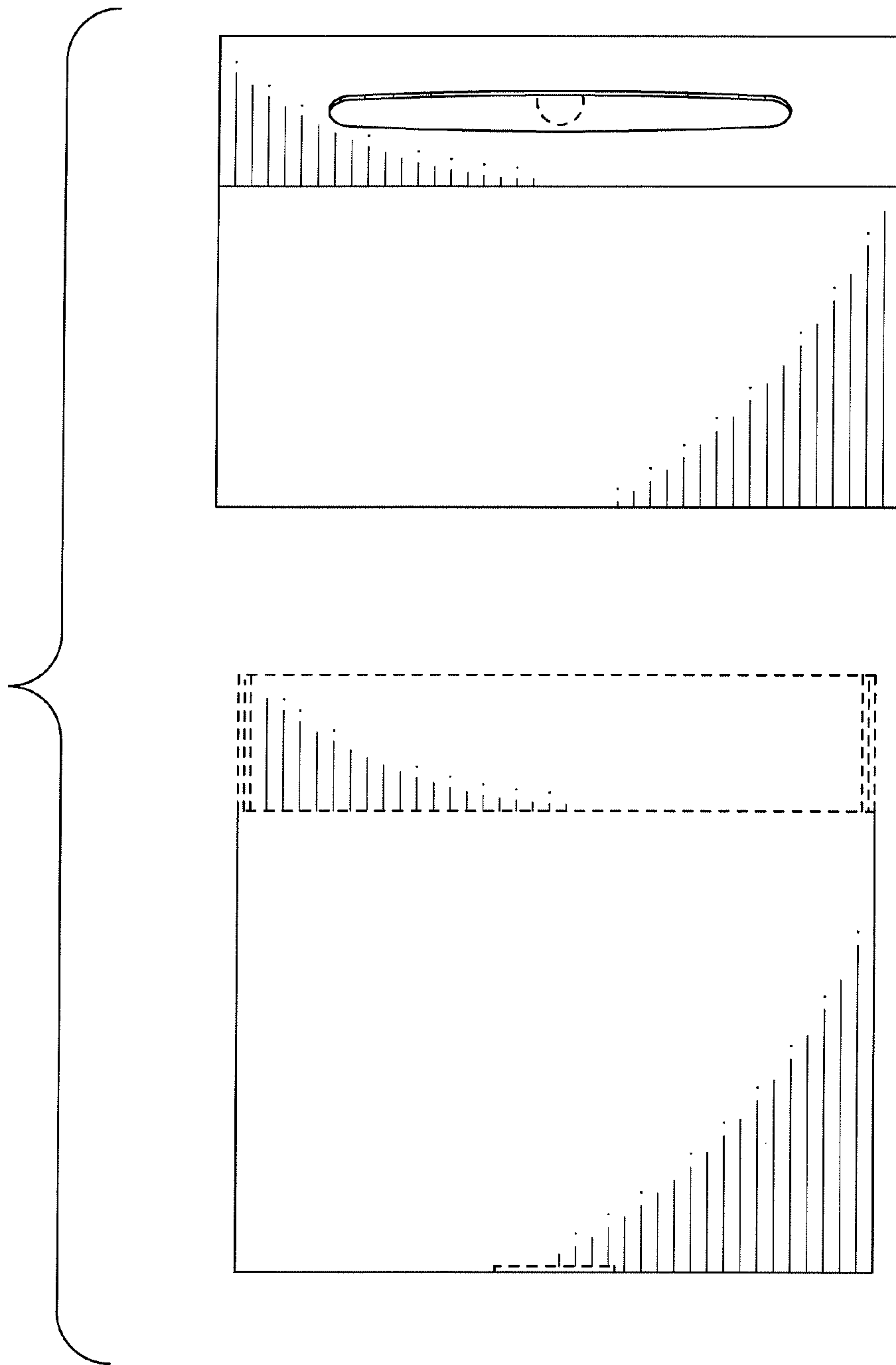


FIG. 3

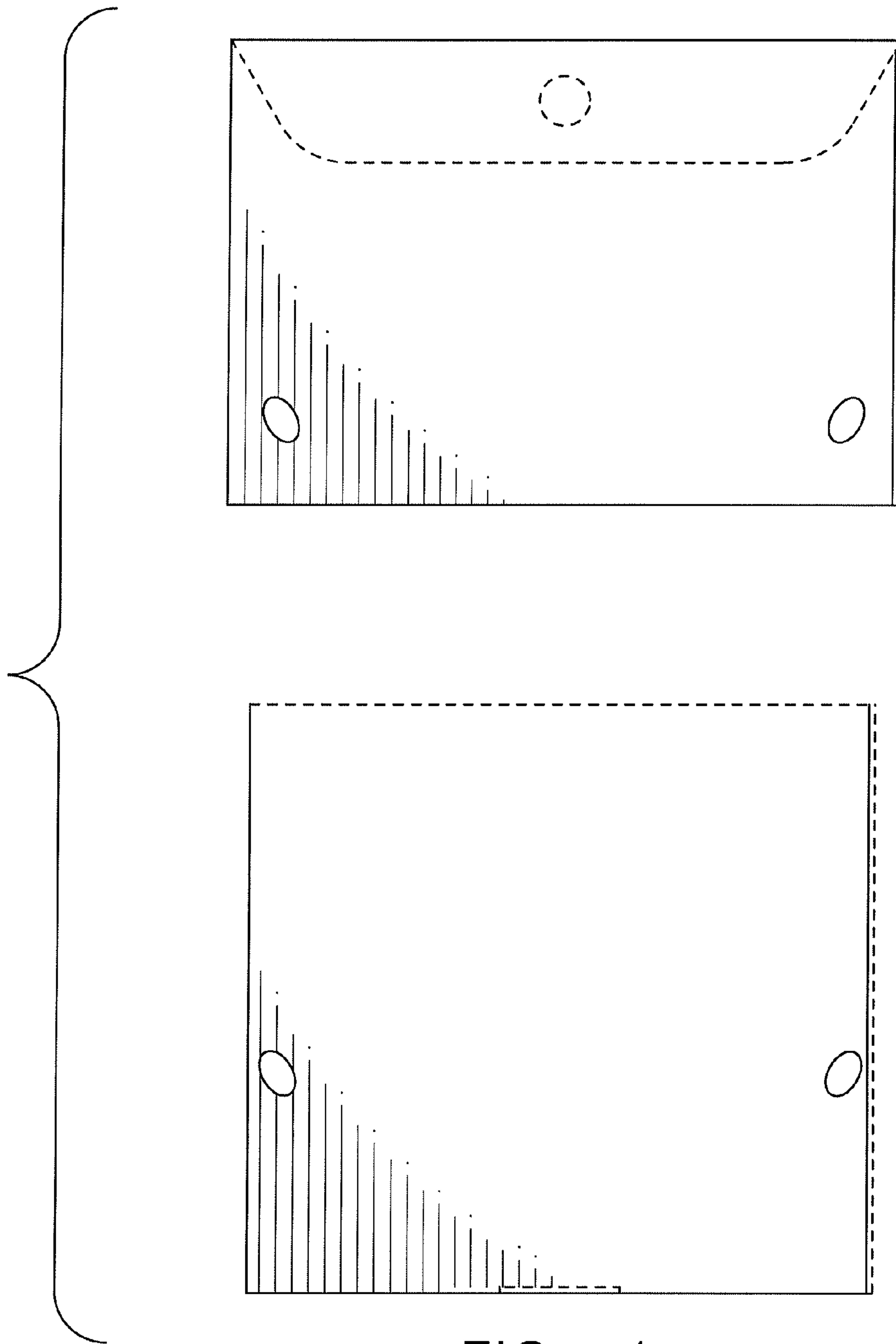


FIG. 4

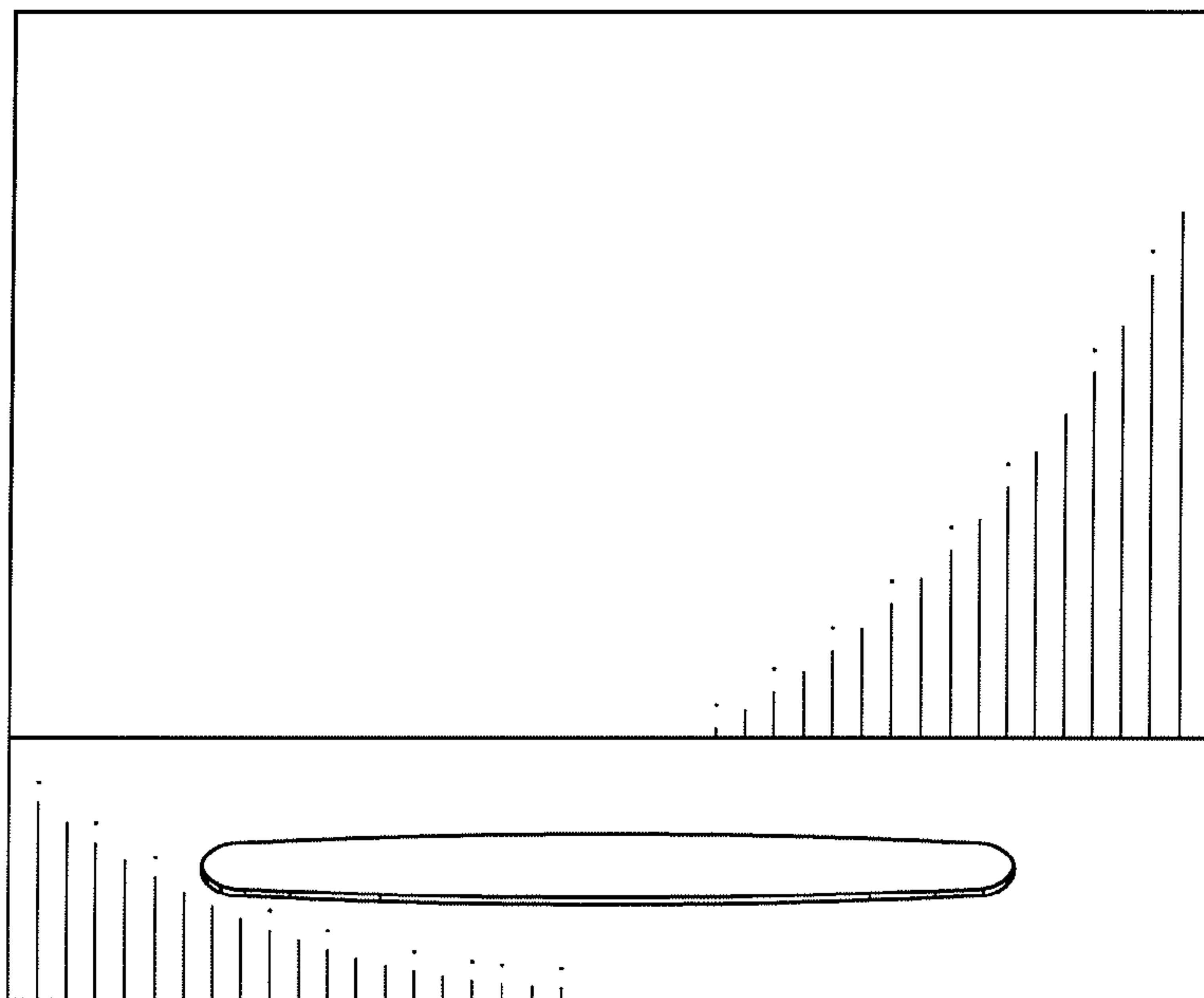


FIG. 5

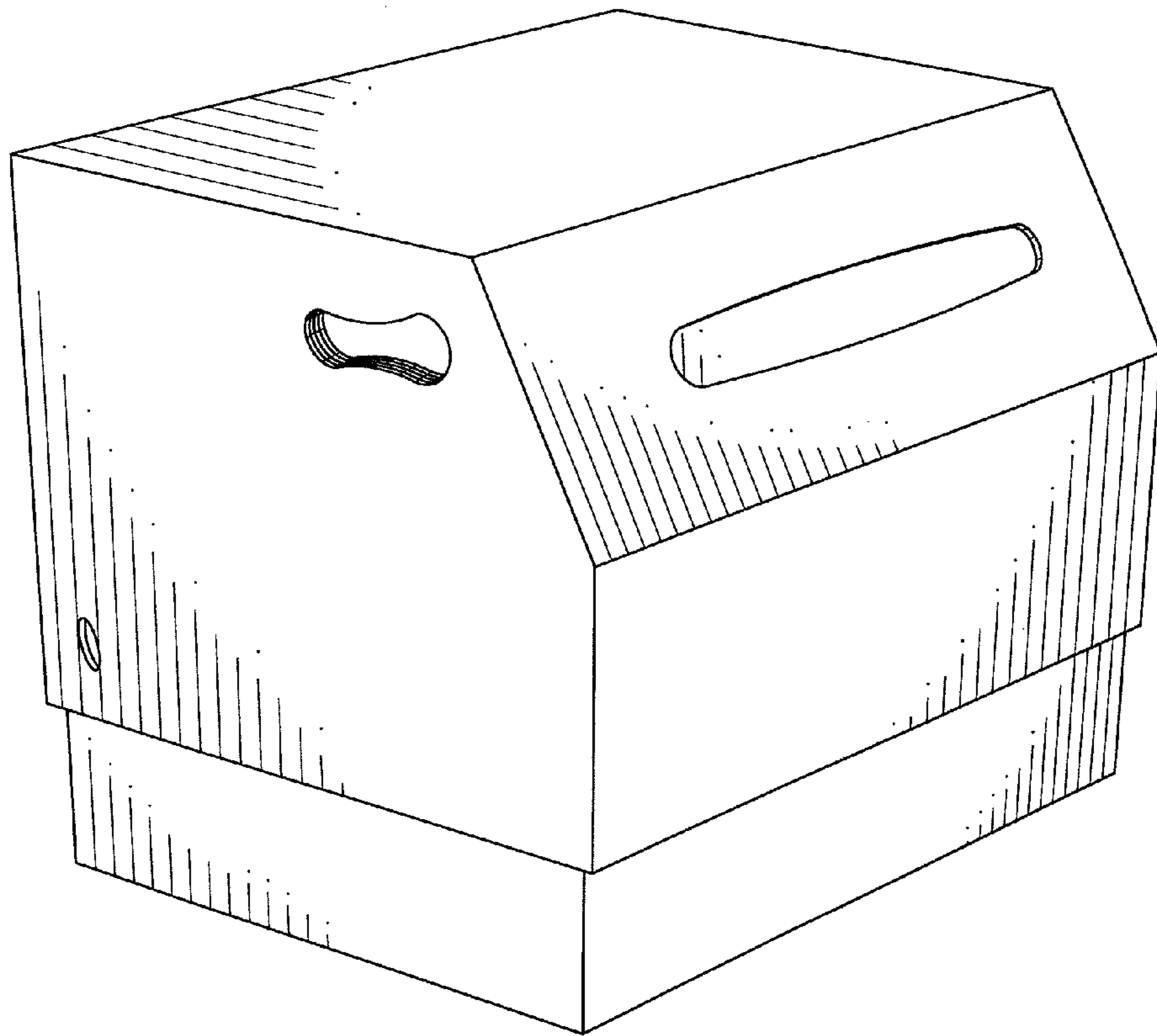


FIG. 6