



US00D679068S

(12) **United States Design Patent**
Denning

(10) **Patent No.:** **US D679,068 S**
(45) **Date of Patent:** **** Apr. 2, 2013**

- (54) **WOMEN'S UNDERWEAR**
- (75) Inventor: **Rochelle Denning**, Springfield, NJ (US)
- (73) Assignee: **EasyUndies, LLC**, Springfield, NJ (US)
- (**) Term: **14 Years**
- (21) Appl. No.: **29/429,110**
- (22) Filed: **Aug. 7, 2012**

Related U.S. Application Data

- (63) Continuation-in-part of application No. 29/411,117, filed on Jan. 17, 2012.
- (51) **LOC (9) Cl.** **02-01**
- (52) **U.S. Cl.** **D2/712**
- (58) **Field of Classification Search** D2/700, D2/701, 702, 703, 704, 705, 711, 712, 713, D2/714, 715, 716, 731, 736, 737, 739, 742, D2/732, 738, 860, 863, 864; D24/126; 2/46, 2/53, 54, 67, 69, 71, 72, 73, 78.1, 78.2, 78.3, 2/78.4, 227, 228, 235, 236, 237, 238, 272, 2/400, 401, 402, 403, 404, 405, 406, 407, 2/408; 450/100, 101, 102, 103, 104; 602/67; 604/345, 359, 387

See application file for complete search history.

(56) **References Cited**

U.S. PATENT DOCUMENTS

436,607	A	9/1890	Little	
1,201,307	A	10/1916	Joseph	
2,012,879	A	8/1935	Kneibler	
2,027,987	A *	1/1936	Reis	2/402
2,102,323	A	12/1937	Kneibler	
2,427,906	A	9/1947	Golightly et al.	
2,453,051	A *	11/1948	Vacca	2/67
2,591,423	A	4/1952	Grolitzer	
2,617,112	A	11/1952	Neilson	
2,638,900	A	5/1953	Gruenberg et al.	
2,706,389	A	4/1955	Garrou et al.	
2,763,008	A *	9/1956	Rosenthal	450/104
2,834,020	A	5/1958	Warten	
2,898,754	A	8/1959	Harms	
2,921,583	A	1/1960	Lerner	
3,068,488	A	12/1962	Rodriguez	
3,237,625	A	3/1966	Johnson	
3,871,030	A	3/1975	Green	

3,985,004	A *	10/1976	Johnson et al.	66/177
4,145,763	A	3/1979	Abrams et al.	
4,205,679	A	6/1980	Repke et al.	
4,300,562	A	11/1981	Pieniak	
4,355,425	A	10/1982	Jones et al.	
4,675,918	A	6/1987	O'Brien	
4,799,441	A	1/1989	Boser	
5,014,364	A	5/1991	Orr	
D330,590	S	10/1992	Pressley et al.	
D339,445	S *	9/1993	Russano	D2/712
5,987,650	A	11/1999	Carroll	
6,539,555	B2	4/2003	Suga et al.	
D603,582	S *	11/2009	Fennell	D2/712
2004/0034902	A1	2/2004	Yturria	
2006/0021115	A1*	2/2006	Stanley	2/400

OTHER PUBLICATIONS

Easy Undies LLC; "Shop EasyUndies Four Styles"; <http://easyundies.net/pages/shopnow.php>; accessed Jul. 1, 2012.

* cited by examiner

Primary Examiner — Karen E Eldridge Powers
(74) *Attorney, Agent, or Firm* — Hoxie & Associates LLC

(57) **CLAIM**

The ornamental design for women's underwear, as shown and described.

DESCRIPTION

FIG. 1 is a front elevation view of the women's underwear of the present design; shown in a state whereby the fastener strips are engaged;

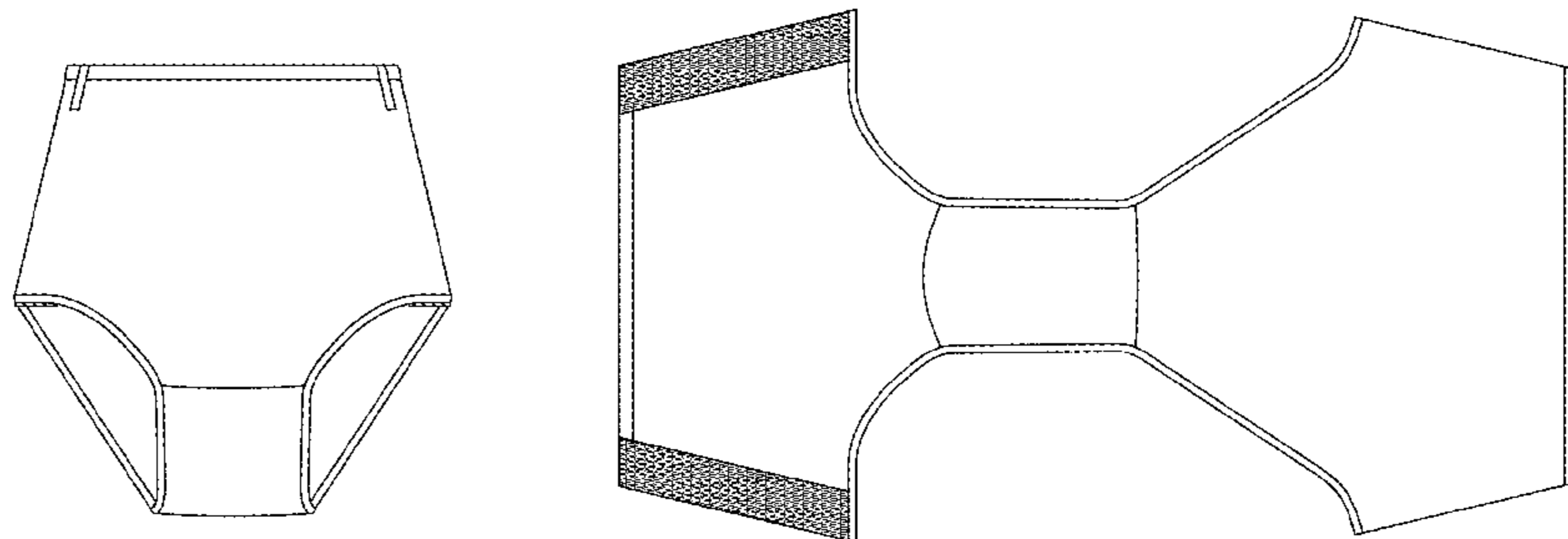
FIG. 2 is an interior plan view of the women's underwear of FIG. 1 laid flat;

FIG. 3 is an exterior plan view of the women's underwear of FIG. 1 laid flat;

FIG. 4 is a side elevation view of the women's underwear of FIGS. 1-3 in use, shown in a state whereby the fastener strips are engaged; the broken lines showing a partial human figure are for purposes of illustrating environment and form no part of the claimed design; FIG. 5 is a side elevation view of the women's underwear of FIGS. 1-4 in use, illustrating the hook and loops portion of the women's underwear in an unconnected state; the broken lines showing a partial human figure are for purposes of illustrating environment and form no part of the claimed design; and,

FIG. 6 is an enlarged detail view of the tab section of the women's underwear of FIGS. 1-4; the broken lines are boundaries of the detail and form no part of the claimed design.

1 Claim, 5 Drawing Sheets



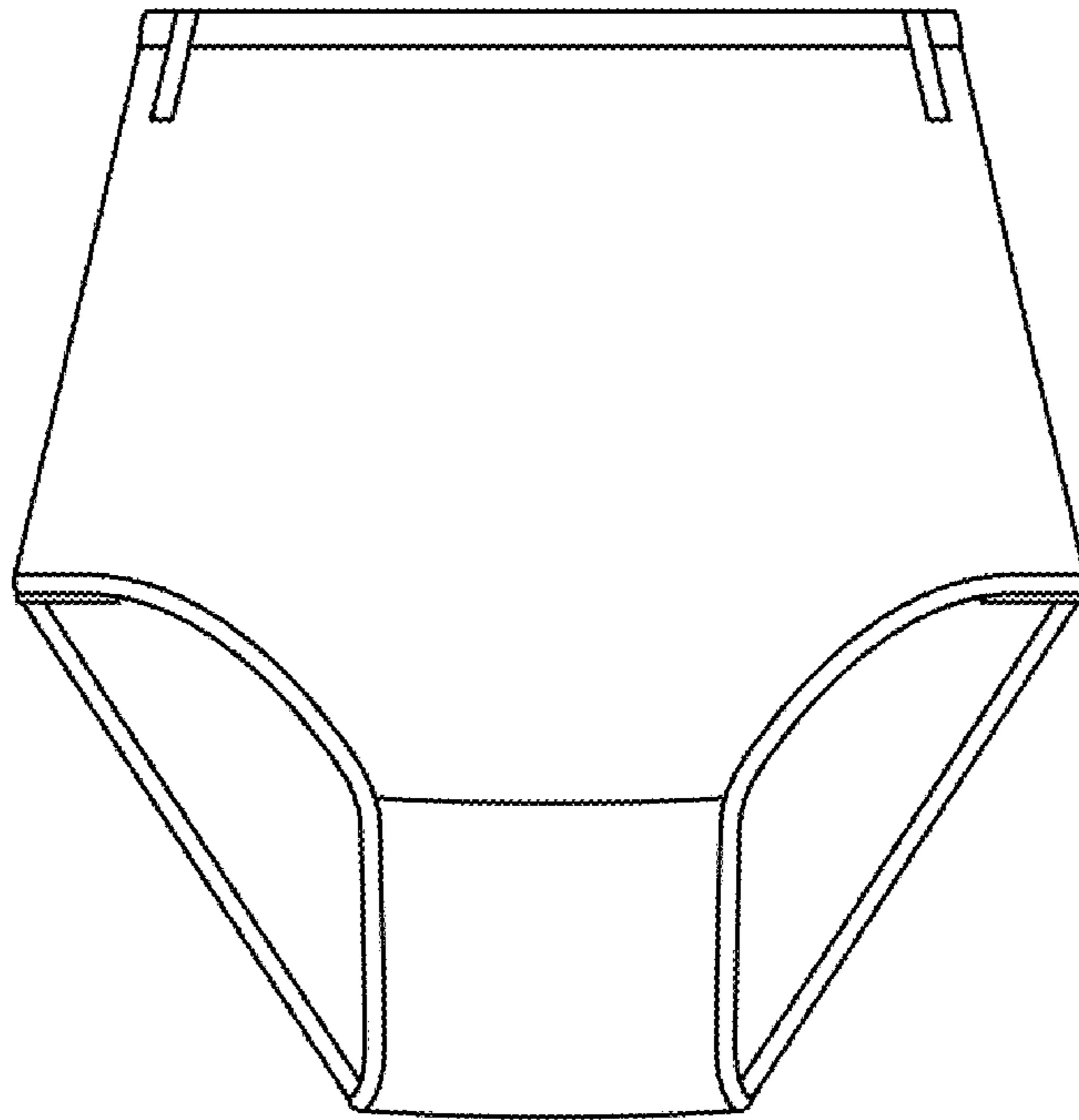


FIG. 1

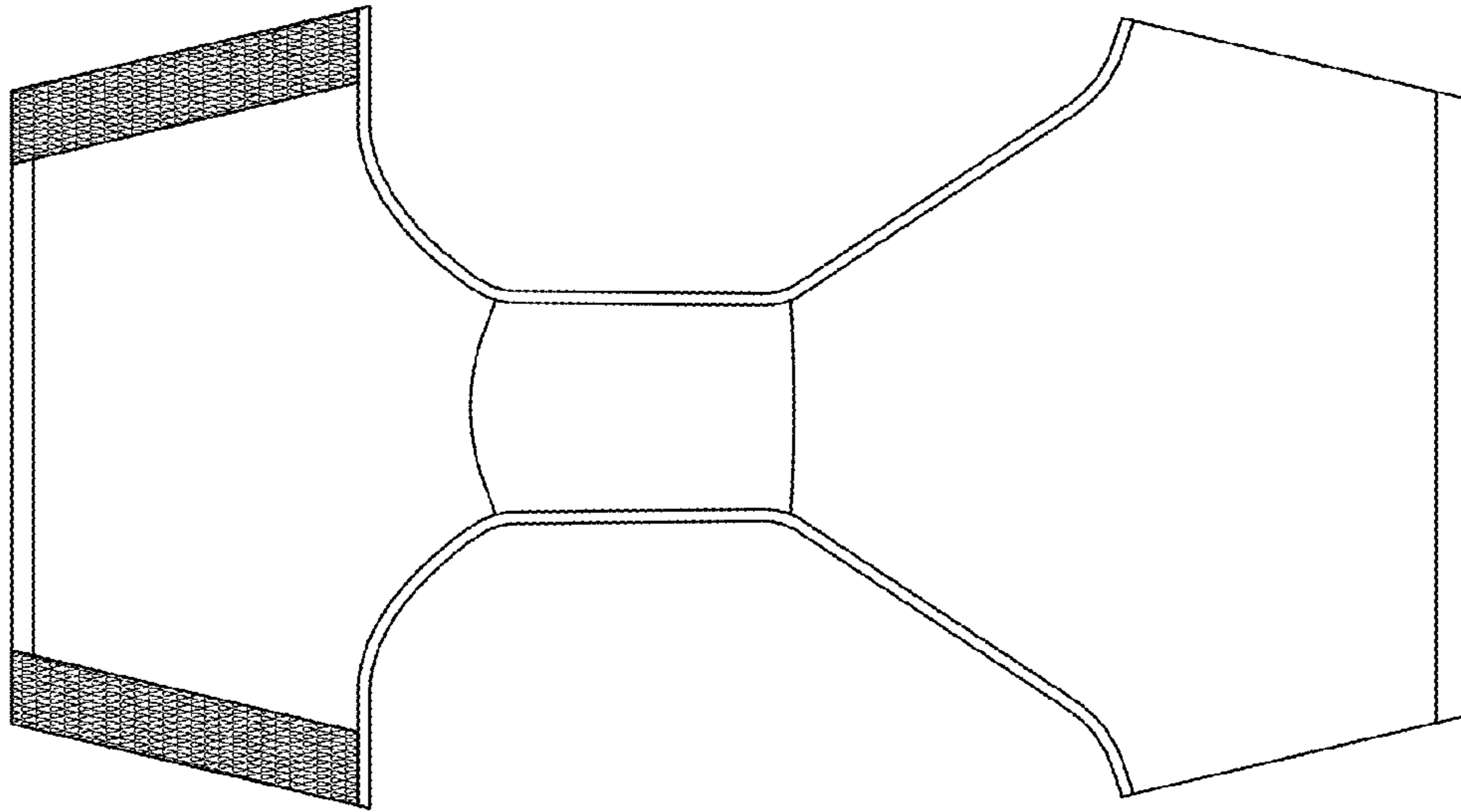


FIG. 2

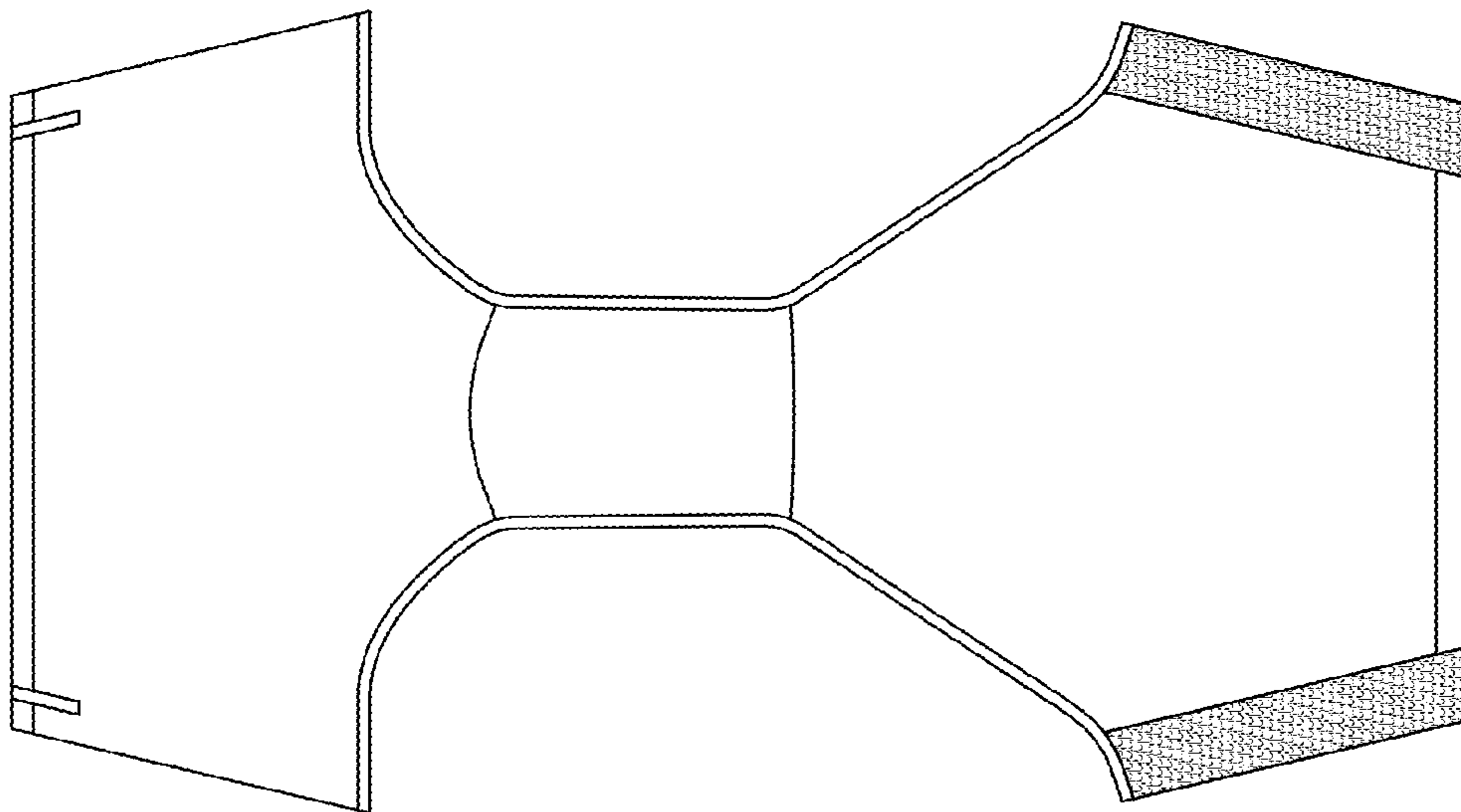


FIG. 3

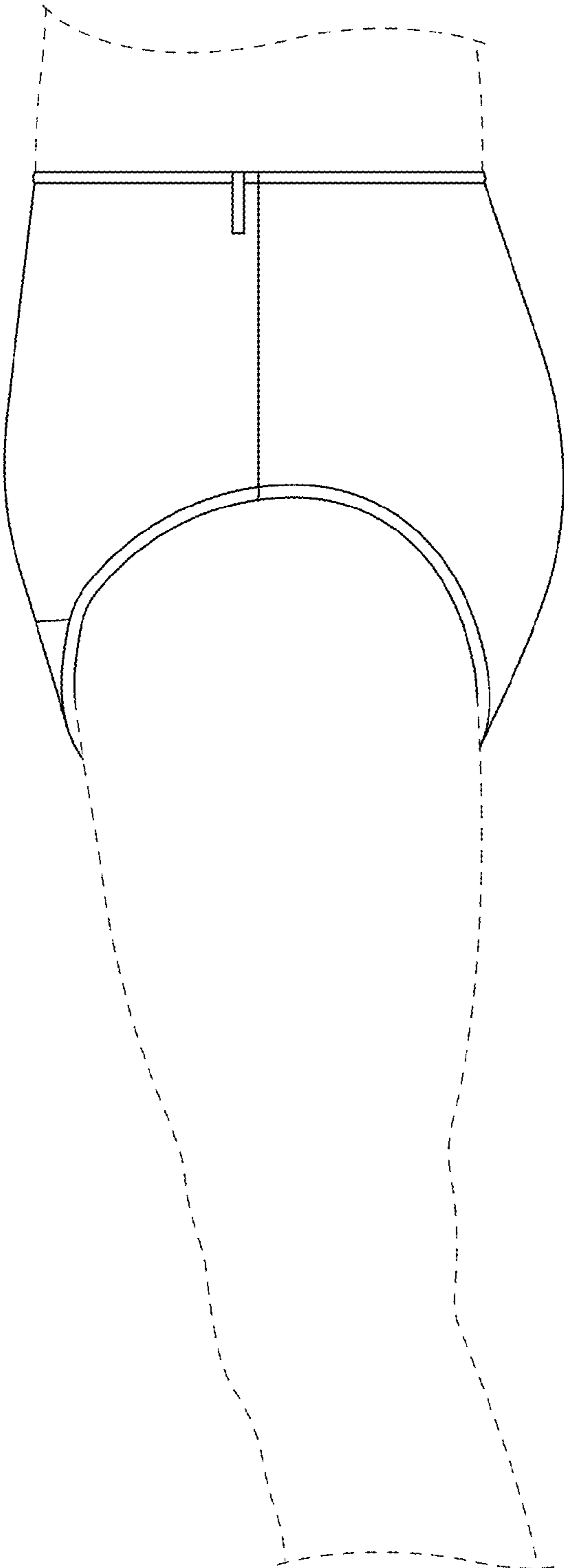


FIG. 4

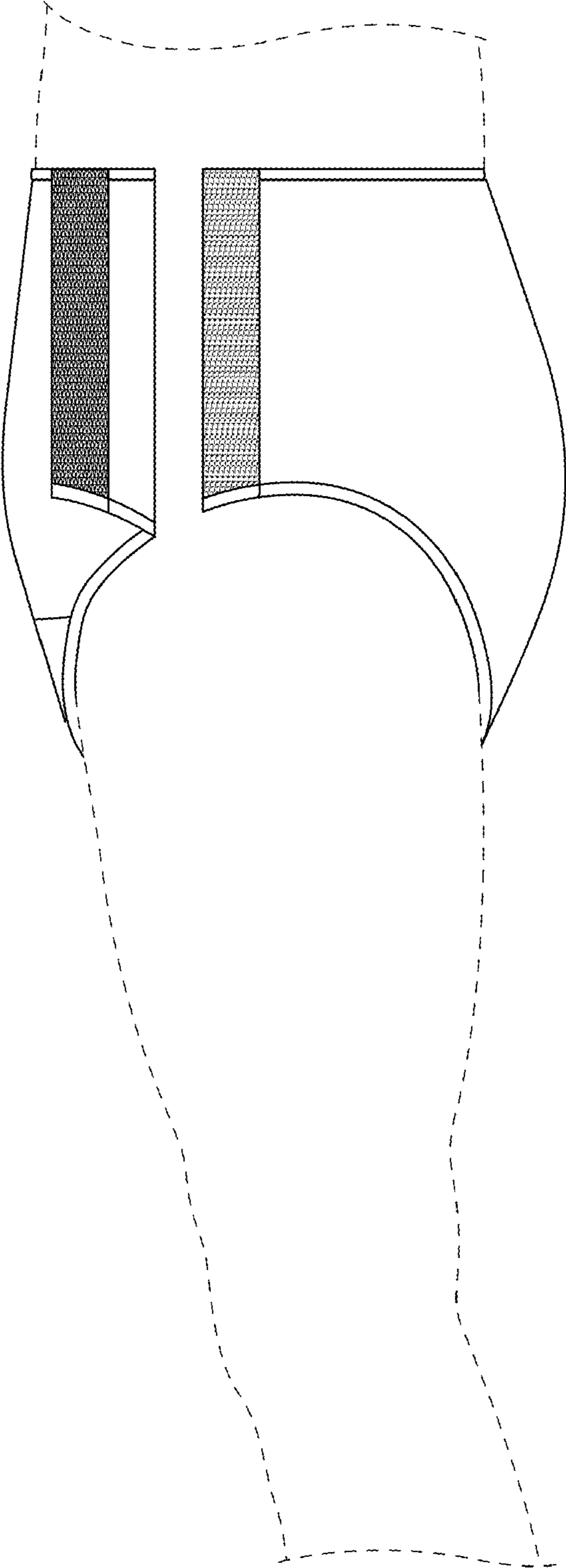


FIG. 5

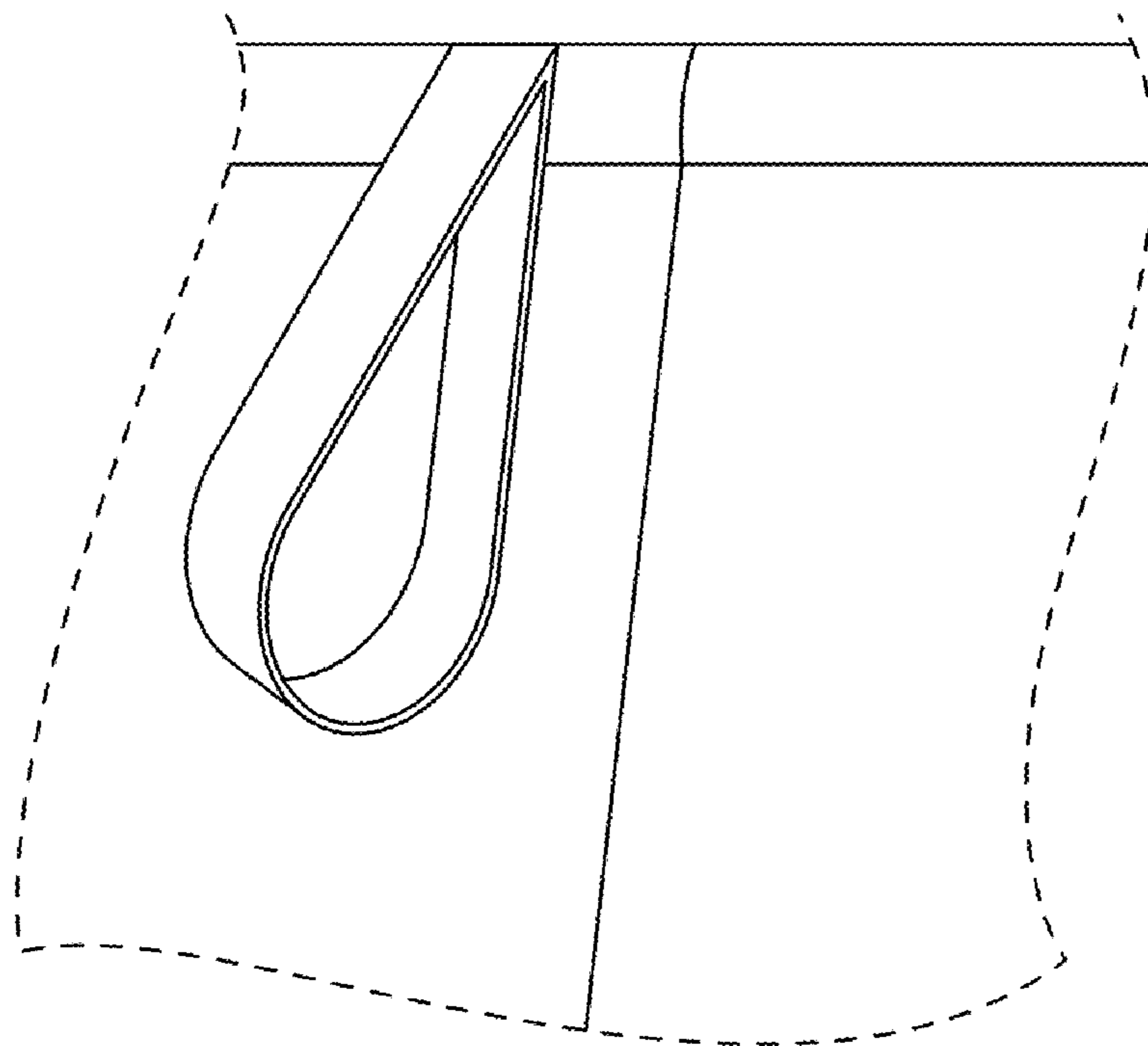


FIG. 6