



US00D679065S

(12) **United States Design Patent**
Hershey et al.

(10) **Patent No.:** **US D679,065 S**
(45) **Date of Patent:** **** Mar. 26, 2013**

(54) **INTERLOCKING COMPOSITE PALLET**
(76) Inventors: **Leland Hershey**, Charlevoix, MI (US);
Everett Hershey, Pantego, NC (US);
Irvin R. Karr, Albertville, AL (US)

D583,524 S 12/2008 Fling
7,856,933 B2 * 12/2010 Miller et al. 108/56.1
2006/0169185 A1 8/2006 Williams, Jr.
2006/0278137 A1 * 12/2006 Shimada 108/51.11
2011/0303128 A1 * 12/2011 Linares 108/51.3

* cited by examiner

(**) Term: **14 Years**

Primary Examiner — Cynthia Ramirez

(21) Appl. No.: **29/429,468**

(74) *Attorney, Agent, or Firm* — QuickPatents; Kevin Prince

(22) Filed: **Aug. 10, 2012**

(57) **CLAIM**

(51) **LOC (9) Cl.** **09-08**

We claim the ornamental design for an interlocking composite pallet, as shown and described.

(52) **U.S. Cl.** **D34/38**

(58) **Field of Classification Search** D34/38;
108/51.11, 901, 53.3, 54.1, 56.1, 57.1, 52.1,
108/56.3

DESCRIPTION

See application file for complete search history.

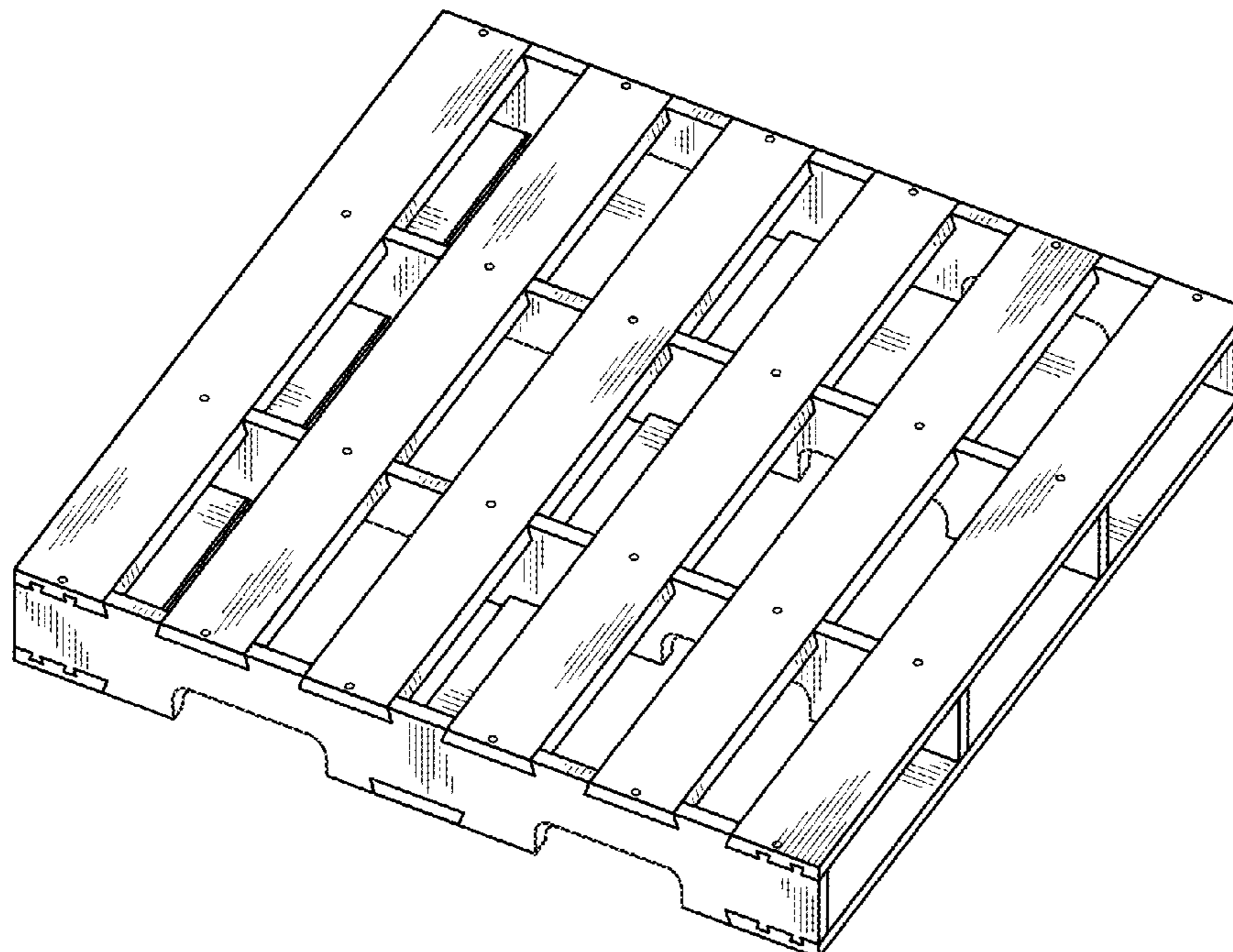
FIG. 1 is a perspective view of an interlocking composite pallet, showing a first embodiment of our new design; FIG. 2 is a left-side elevational view of FIG. 1, the right-side elevational view being a mirror image thereof; FIG. 3 is a front elevational view of FIG. 1, the rear elevational view being a mirror image thereof; FIG. 4 is a top plan view of FIG. 1; FIG. 5 is a bottom plan view of FIG. 1; FIG. 6 is a perspective view of a second embodiment thereof; FIG. 7 is a left-side elevational view of FIG. 6, the right-side elevational view being a mirror image thereof; and, FIG. 8 is a top plan view of FIG. 6. It is understood that the front elevational view, rear elevational view, and bottom plan view of both embodiments are identical.

(56) **References Cited**

U.S. PATENT DOCUMENTS

3,608,503	A *	9/1971	Marcheso	108/53.5
3,677,200	A *	7/1972	Coccagna et al.	108/53.5
3,878,796	A	4/1975	Morrison		
D267,386	S *	12/1982	Kneale, III	D7/388
4,869,179	A	9/1989	Sammons		
D306,226	S *	2/1990	Jirucha	D34/38
5,440,998	A	8/1995	Morgan		
5,809,902	A	9/1998	Zetterberg		
5,836,255	A *	11/1998	Uitz	108/57.25
D409,814	S	5/1999	Herring		
D429,052	S	8/2000	Ito		
D433,208	S	10/2000	Elder		
6,938,558	B1	9/2005	Peres		

1 Claim, 5 Drawing Sheets



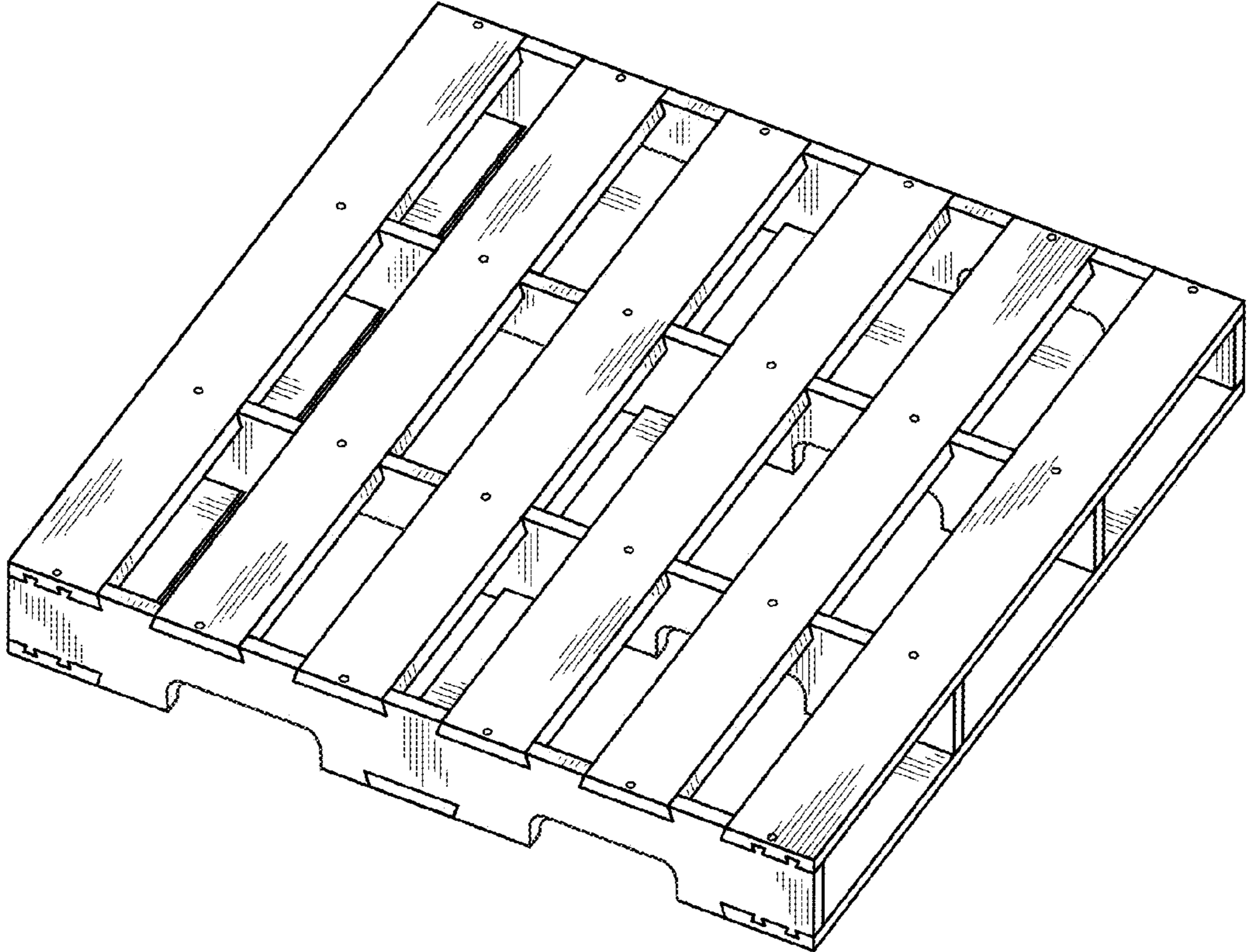


FIG. 1

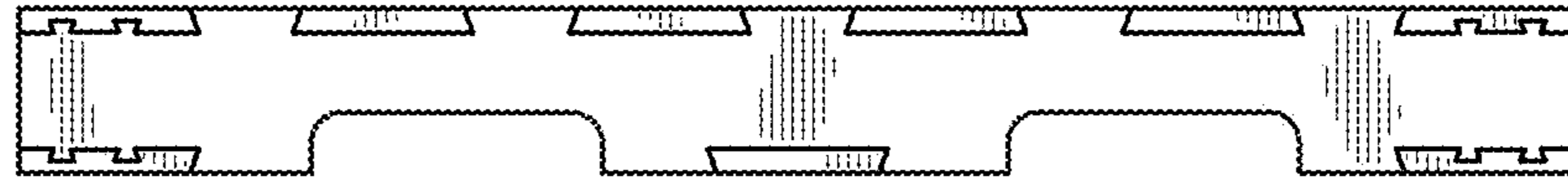


FIG. 2

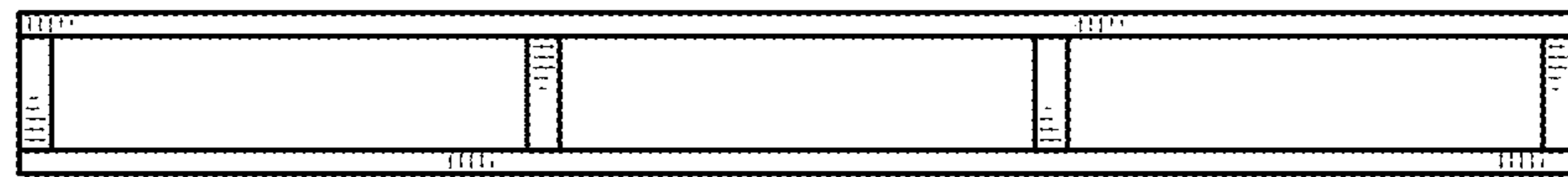


FIG. 3

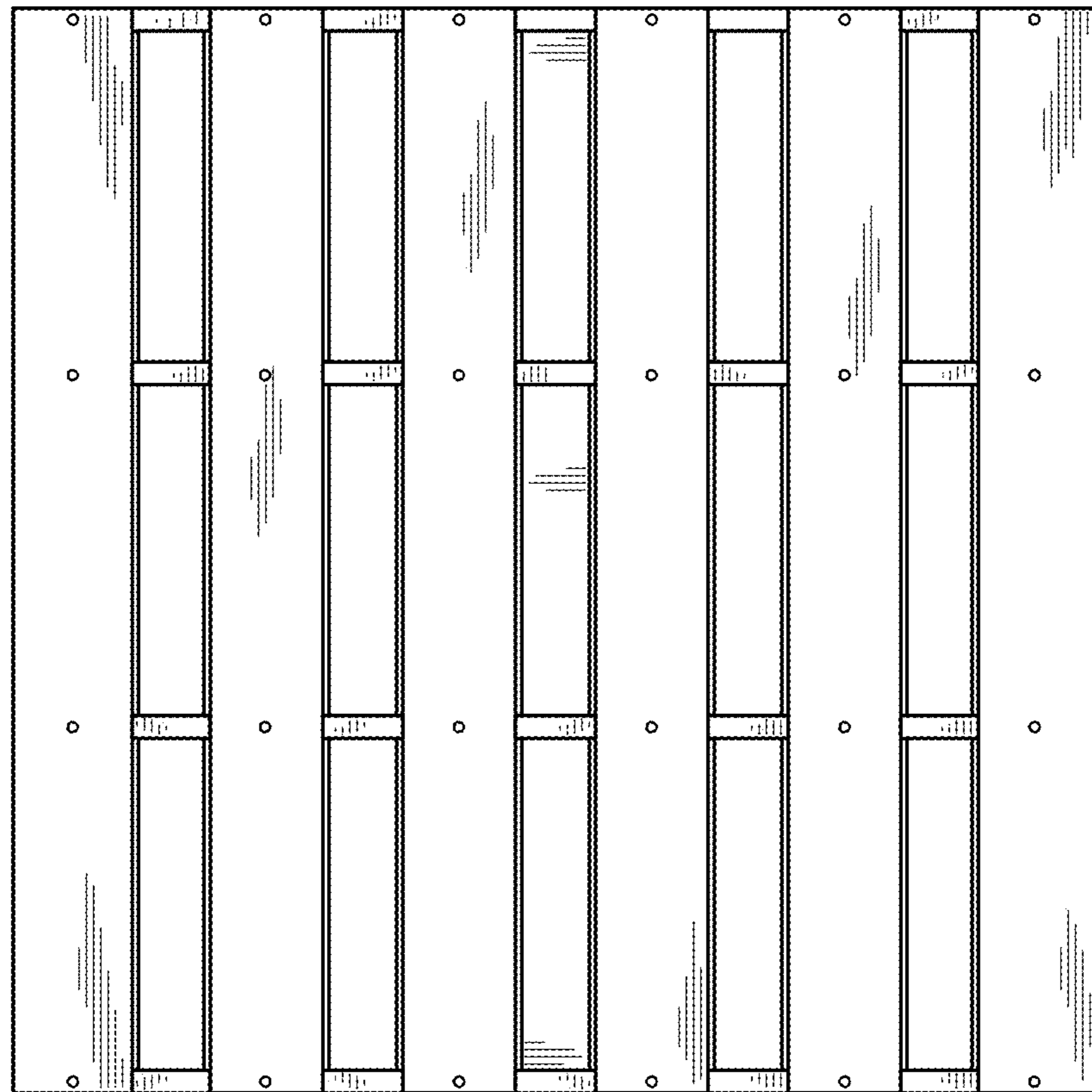


FIG. 4

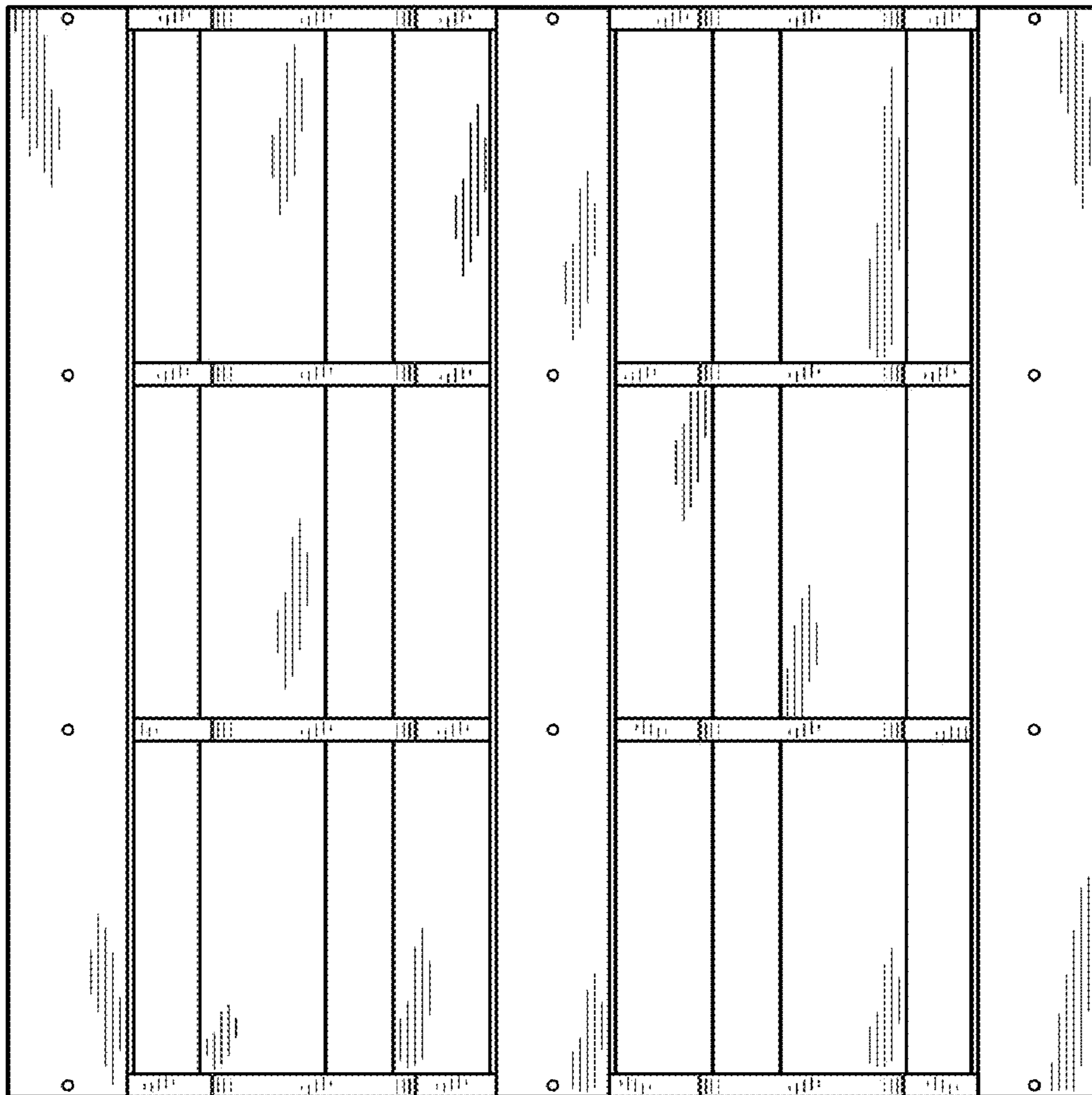


FIG. 5

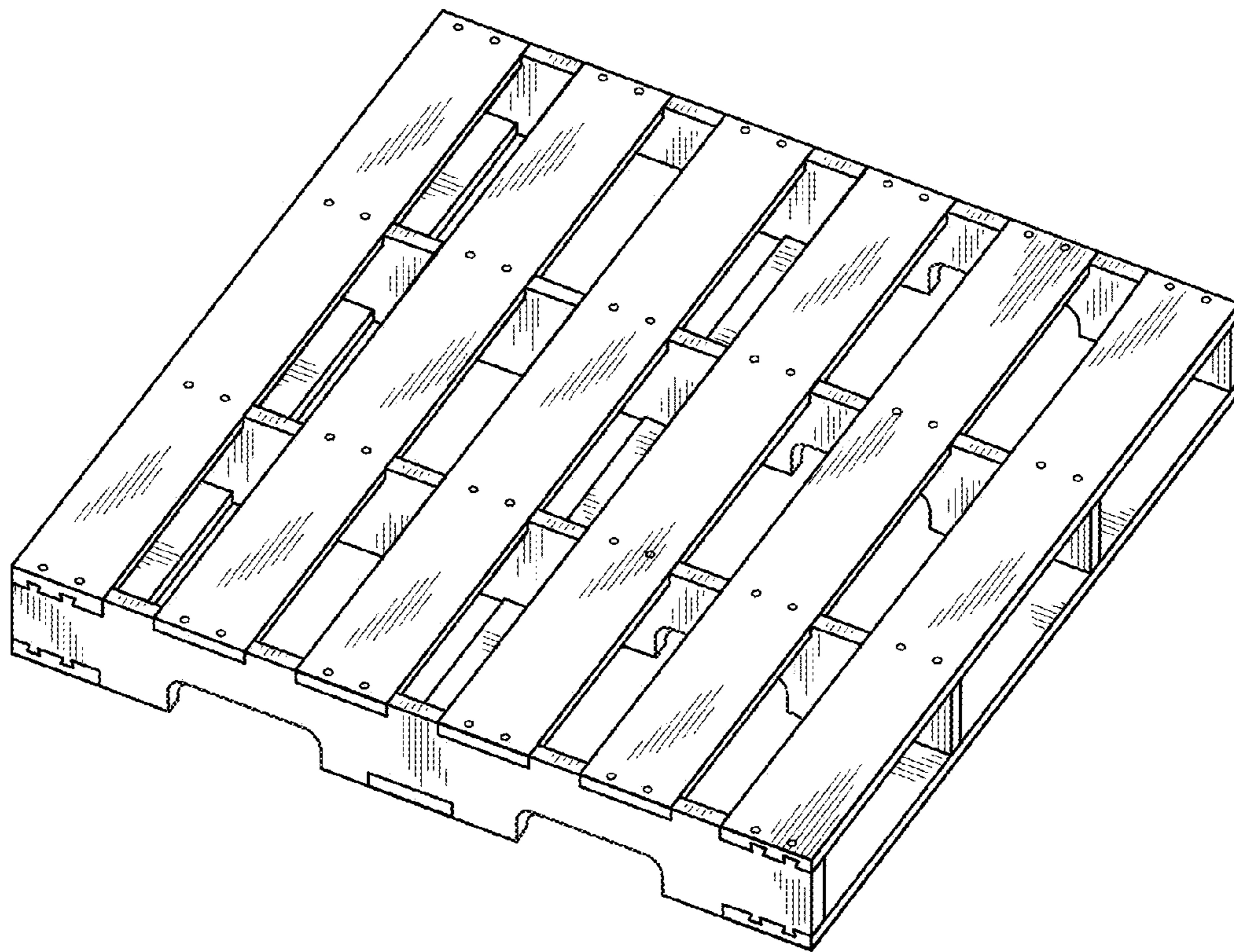


FIG. 6

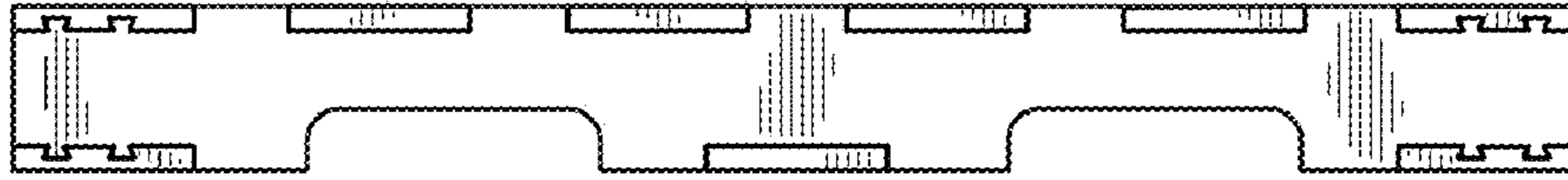


FIG. 7

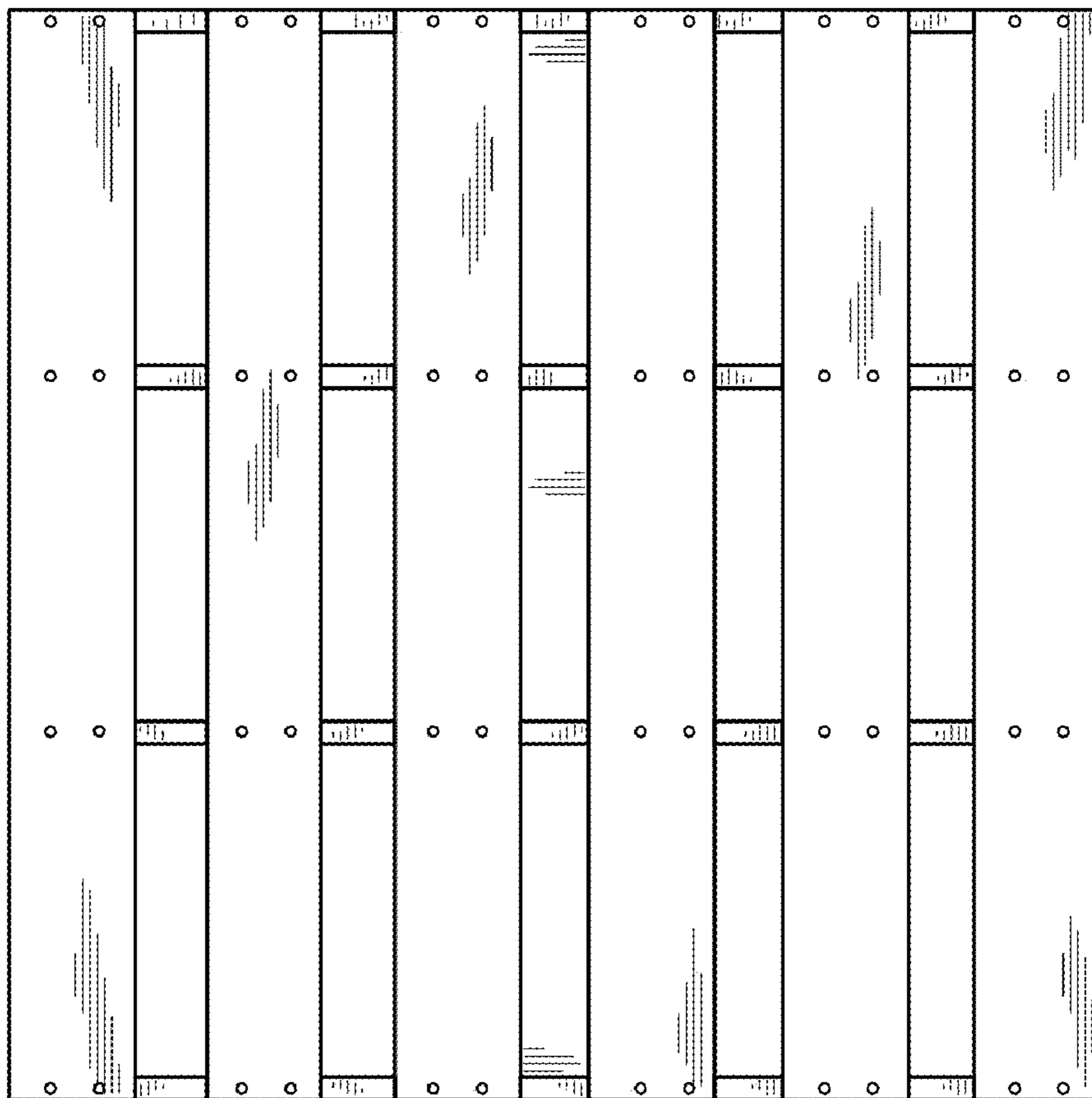


FIG. 8