

US00D679063S

(12) **United States Design Patent**
Tekulve et al.

(10) **Patent No.:** **US D679,063 S**
(45) **Date of Patent:** **** Mar. 26, 2013**

- (54) **FOAM CLEANING IMPLEMENT**
- (75) Inventors: **Michelle Margaret Tekulve**, Cincinnati, OH (US); **Aaron W. Fromm**, Fort Thomas, KY (US); **Terra Louise Dent**, Mason, OH (US); **Christopher Lee Henderson**, Liberty Township, OH (US)
- (73) Assignee: **The Procter & Gamble Company**, Cincinnati, OH (US)

D591,018	S	*	4/2009	Bogaerts et al.	D32/40
7,629,043	B2		12/2009	Lindsay et al.		
D634,495	S	*	3/2011	Dunshee et al.	D32/40
D657,925	S	*	4/2012	Luipold	D32/40
2001/0002290	A1		5/2001	Farber		
2001/0014316	A1		8/2001	Harbeck		
2001/0029247	A1		10/2001	Boures et al.		
2001/0043936	A1		11/2001	Salmon et al.		
2002/0001599	A1		1/2002	Neubourg		
2005/0025668	A1		2/2005	Katsigras et al.		

(Continued)

(**) Term: **14 Years**

(21) Appl. No.: **29/418,221**

(22) Filed: **Apr. 13, 2012**

(51) **LOC (9) Cl.** **04-01**

(52) **U.S. Cl.** **D32/40**

(58) **Field of Classification Search** D32/40-46;
15/208, 209.1, 244.1-244.4; 438/287; 428/316.6
See application file for complete search history.

(56) **References Cited**

U.S. PATENT DOCUMENTS

1,778,270	A	10/1930	Miller	
4,764,421	A	8/1988	Horiki et al.	
4,797,310	A *	1/1989	Barby et al. 428/71
4,822,650	A	4/1989	Horiki et al.	
4,835,026	A	5/1989	Horiki et al.	
4,913,786	A	4/1990	Horiki et al.	
5,164,238	A	11/1992	Horiki et al.	
5,360,653	A *	11/1994	Ackley 428/71
5,500,267	A	3/1996	Canning	
5,540,880	A	7/1996	Horiki et al.	
5,605,731	A	2/1997	Guasch Pubill	
5,616,387	A	4/1997	Augst et al.	
5,685,042	A	11/1997	Demetriades	
5,712,210	A	1/1998	Windisch et al.	
5,902,642	A	5/1999	Horiki et al.	
6,057,731	A	5/2000	Gorcea et al.	
6,298,517	B1	10/2001	McKay	
6,313,049	B1	11/2001	Heady et al.	
6,462,160	B1	10/2002	Ogawa et al.	
6,548,135	B1	4/2003	Hershey et al.	
6,548,136	B1	4/2003	Piccini et al.	
6,550,633	B2	4/2003	Huang et al.	
6,827,080	B2	12/2004	Fish et al.	

FOREIGN PATENT DOCUMENTS

EP	0 307 932	A1	3/1989
EP	0 370 796	A1	5/1990

(Continued)

OTHER PUBLICATIONS

U.S. Appl. No. 13/604,769, filed Sep. 6, 2012 Tekulve, et al.

Primary Examiner — Robin V Webster

(74) *Attorney, Agent, or Firm* — John T. Dipre; Steven W. Miller

(57) **CLAIM**

The ornamental design for a foam cleaning implement, as shown and described.

DESCRIPTION

FIG. 1 is a top perspective view of the first embodiment of a foam cleaning implement;

FIG. 2 is a top view of the first embodiment of a foam cleaning implement shown in FIG. 1;

FIG. 3 is a right side view of the first embodiment of a foam cleaning implement shown in FIG. 1;

FIG. 4 is a left side view of the first embodiment of a foam cleaning implement shown in FIG. 1;

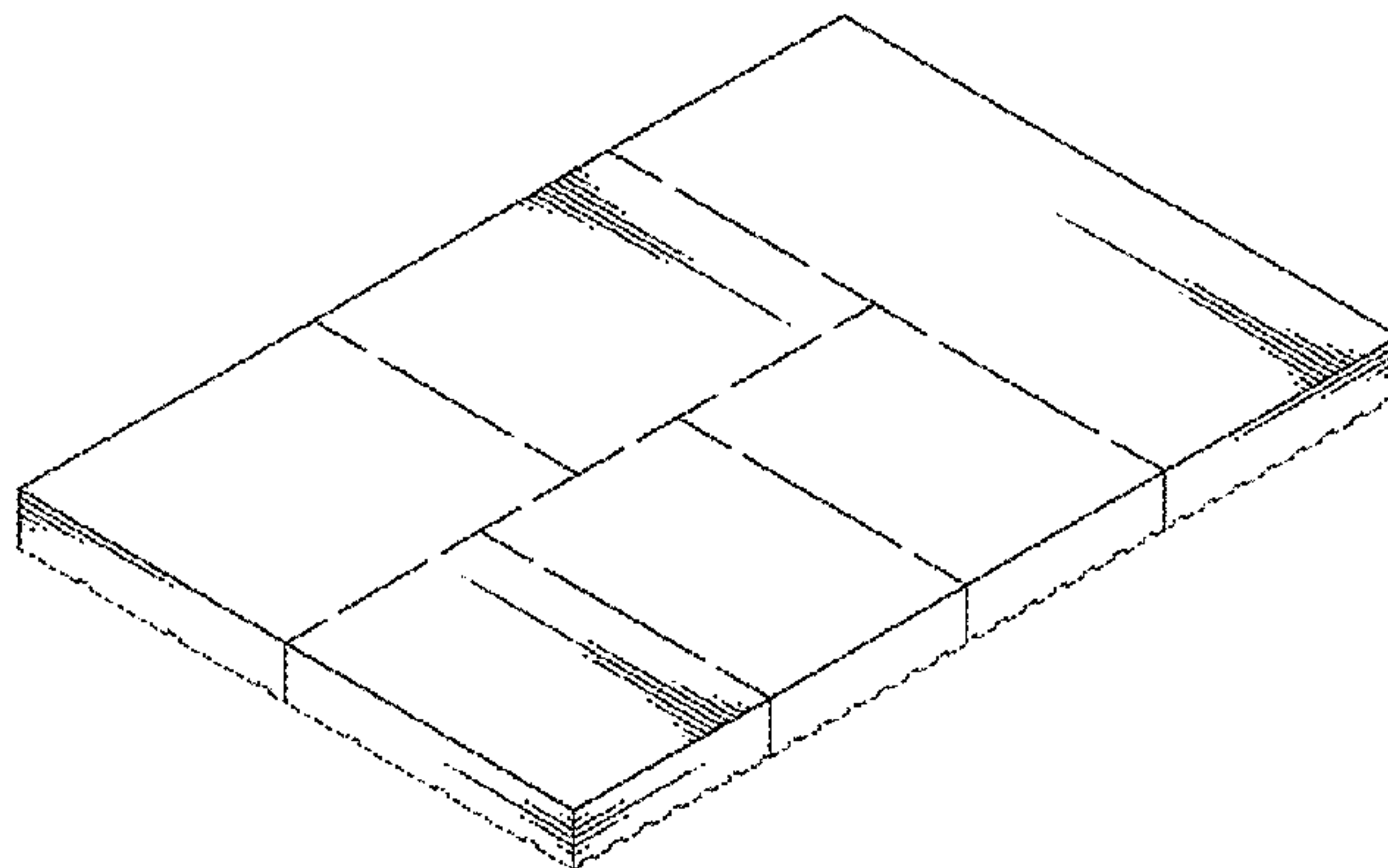
FIG. 5 is a front view of the first embodiment of a foam cleaning implement shown in FIG. 1;

FIG. 6 is a rear view of the first embodiment of a foam cleaning implement shown in FIG. 1; and,

FIG. 7 is a bottom view of the first embodiment of a foam cleaning implement shown in FIG. 1.

The broken line showing of the bottom portion is included for the purpose of illustrating and forms no part of the claimed design.

1 Claim, 2 Drawing Sheets



US D679,063 S

Page 2

U.S. PATENT DOCUMENTS

2005/0129897	A1	6/2005	Zhou et al.
2005/0136238	A1	6/2005	Lindsay et al.
2005/0202232	A1	9/2005	Saunier
2006/0000043	A1	1/2006	Jou-Chen et al.
2007/0166488	A1	7/2007	Trefethren et al.
2007/0224409	A1	9/2007	Devorany et al.

FOREIGN PATENT DOCUMENTS

EP	0 672 646	A1	9/1995
GB	1035475	A	7/1966
JP	2020329	A1	1/1990
JP	2003116762	A	4/2003

* cited by examiner

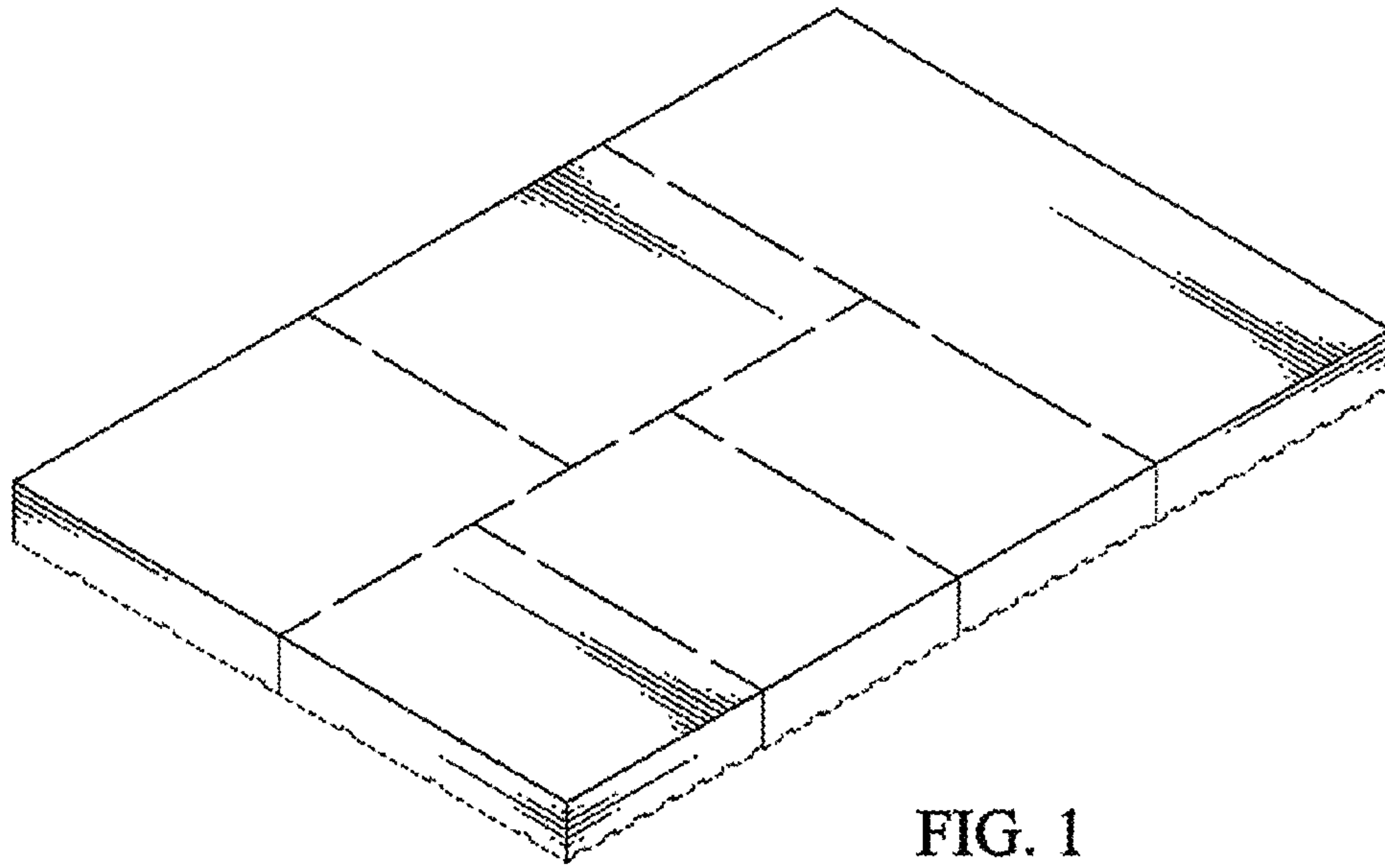


FIG. 1

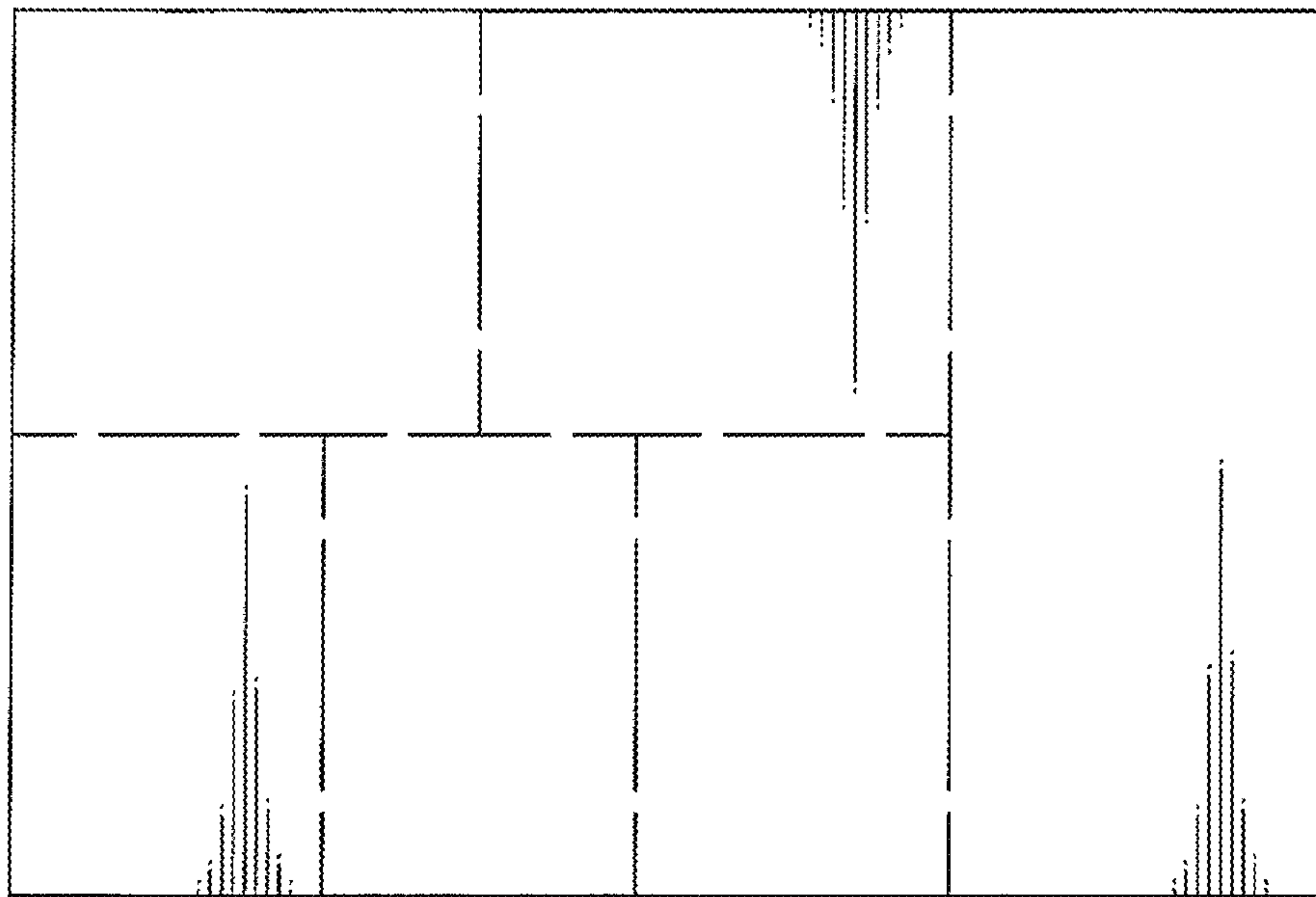


FIG. 2



FIG. 3



FIG. 4



FIG. 5



FIG. 6

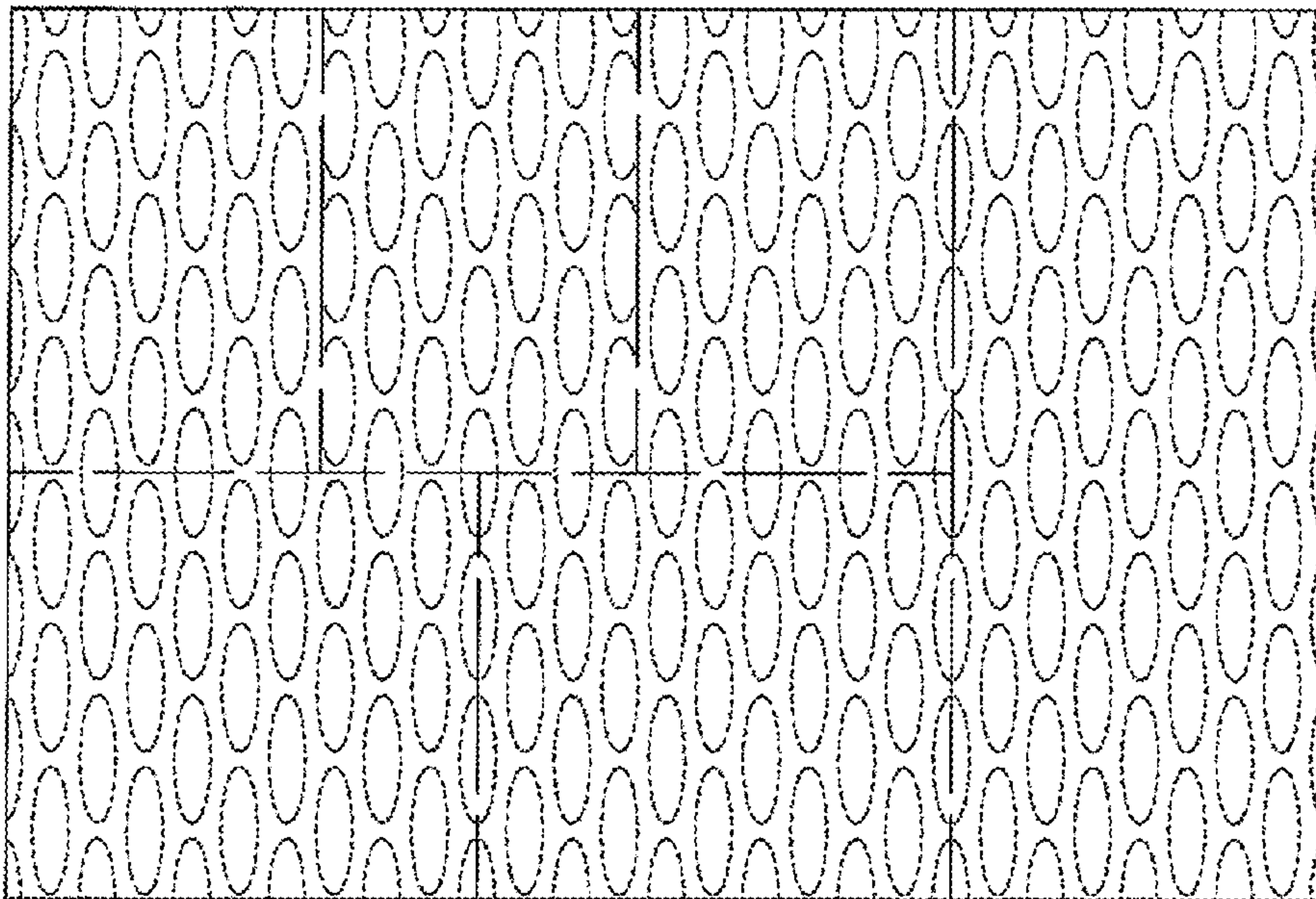


FIG. 7