



US00D679060S

(12) **United States Design Patent**  
**Bates**

(10) **Patent No.:** **US D679,060 S**  
(45) **Date of Patent:** **\*\* Mar. 26, 2013**

(54) **ADJUSTABLE STIRRUP BAR FOR AN EQUESTRIAN SADDLE**

(75) Inventor: **Kenneth John Bates**, Cottlesloe (AU)

(73) Assignee: **Hammersmith Nominees Pty Ltd**, Northbridge (AU)

(\*\*) Term: **14 Years**

(21) Appl. No.: **29/406,237**

(22) Filed: **Nov. 10, 2011**

(30) **Foreign Application Priority Data**

May 11, 2011 (AU) ..... 12099/2011

(51) **LOC (9) Cl.** ..... **30-04**

(52) **U.S. Cl.** ..... **D30/138**

(58) **Field of Classification Search** ..... D30/138-140, D30/142, 199; 54/46.1, 46.2, 44, 46, 23; D8/349, 354, 355, 382, 383, 385; 248/205.1, 248/206.1, 205.4, 278.1, 284.1, 214, 216.4, 248/223.1, 223.51, 223.61, 220.21; D6/492, D6/509, 493, 497; 427/272, 277, 369, 408  
See application file for complete search history.

(56) **References Cited**

**U.S. PATENT DOCUMENTS**

248,920	A *	11/1881	Dancer et al.	54/46.2
1,323,311	A *	12/1919	Persson	54/46.2
4,782,649	A *	11/1988	Zubrod	54/46.2
4,924,660	A *	5/1990	Norman et al.	54/46.2
5,107,660	A *	4/1992	Mommeja et al.	54/46.1

D534,059	S *	12/2006	Goldenberg et al.	D8/354
D565,388	S *	4/2008	Concari	D8/355
7,472,530	B2 *	1/2009	James	54/46.2
D585,681	S *	2/2009	Liss et al.	D6/509
D628,754	S *	12/2010	Bates	D30/138

\* cited by examiner

*Primary Examiner* — Susan M Lee

*Assistant Examiner* — Linda G. Brooks

(74) *Attorney, Agent, or Firm* — Seed IP Law Group PLLC

(57) **CLAIM**

The ornamental design for an adjustable stirrup bar for an equestrian saddle, as shown and described.

**DESCRIPTION**

FIG. 1 is a front perspective view of an adjustable stirrup bar for an equestrian saddle showing my new design.

FIG. 2 is a rear perspective view thereof.

FIG. 3 is a front perspective view thereof with a sliding member in a different position, and a catch shown in its released position.

FIG. 4 is a front elevational view thereof.

FIG. 5 is a front elevational view thereof with the sliding member in the position shown in FIG. 1, and the catch in the closed position.

FIG. 6 is a rear elevational view thereof.

FIG. 7 is a top plan view thereof.

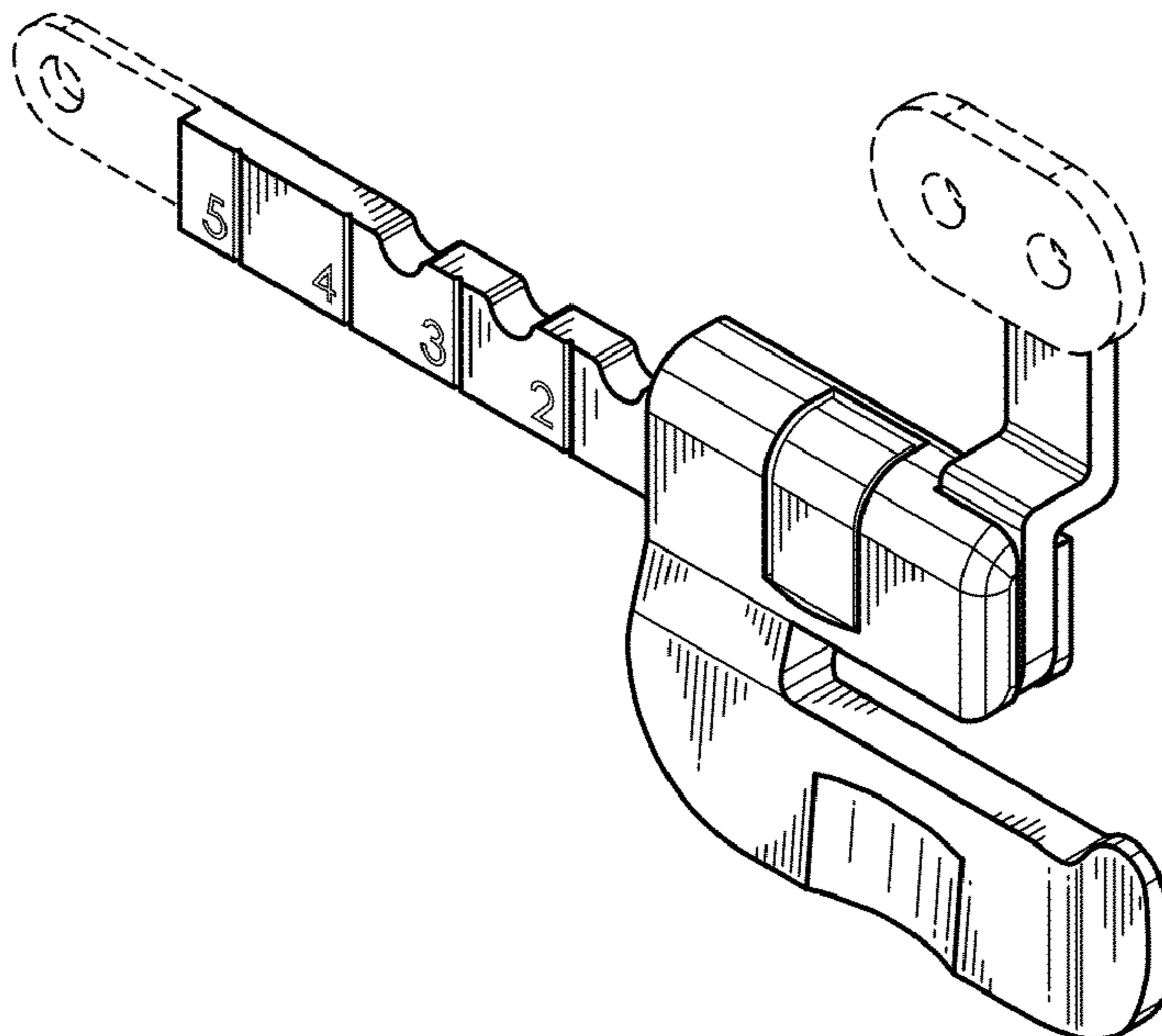
FIG. 8 is a bottom plan view thereof.

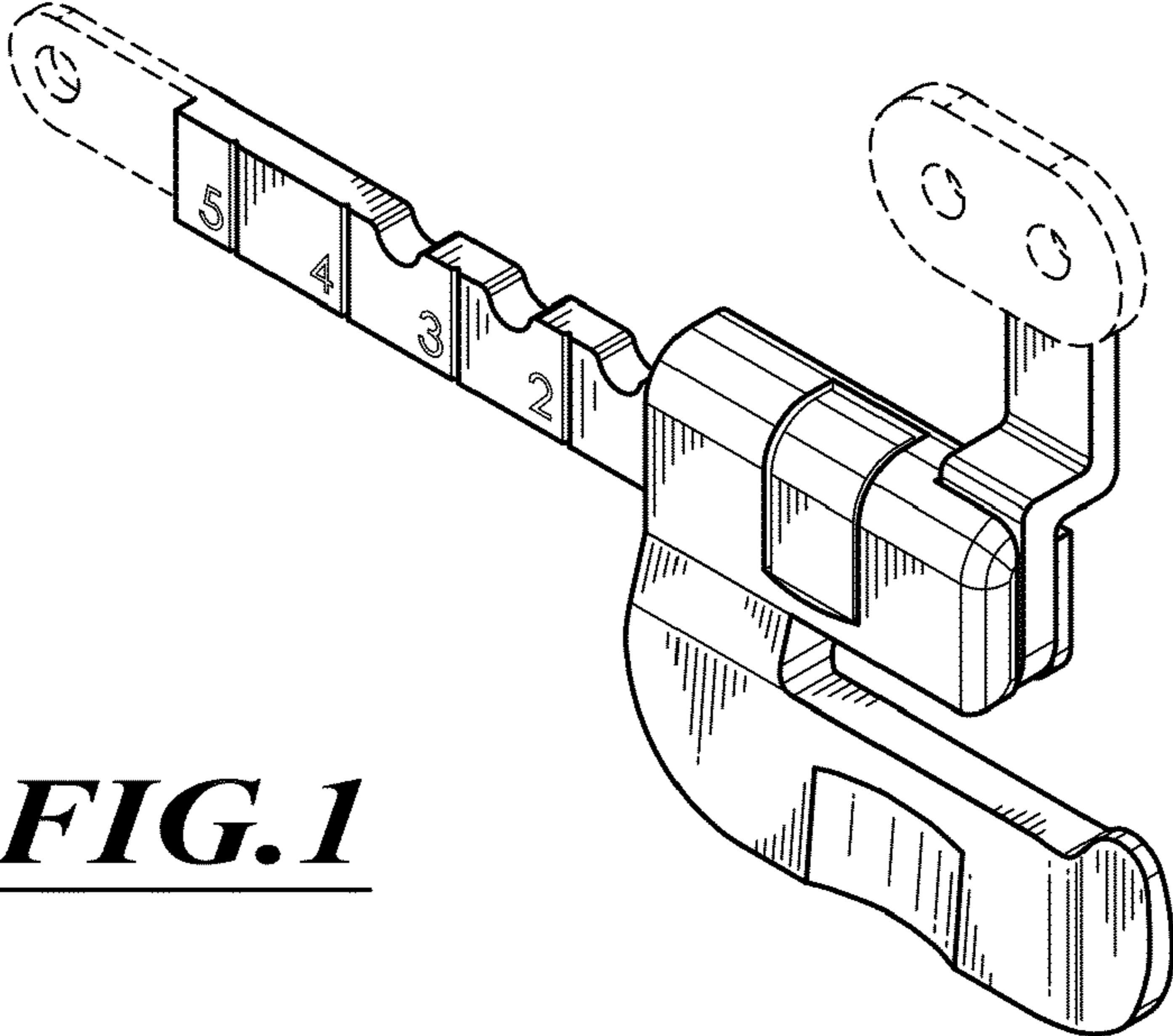
FIG. 9 is a left side elevational view thereof; and,

FIG. 10 is a right side elevational view thereof.

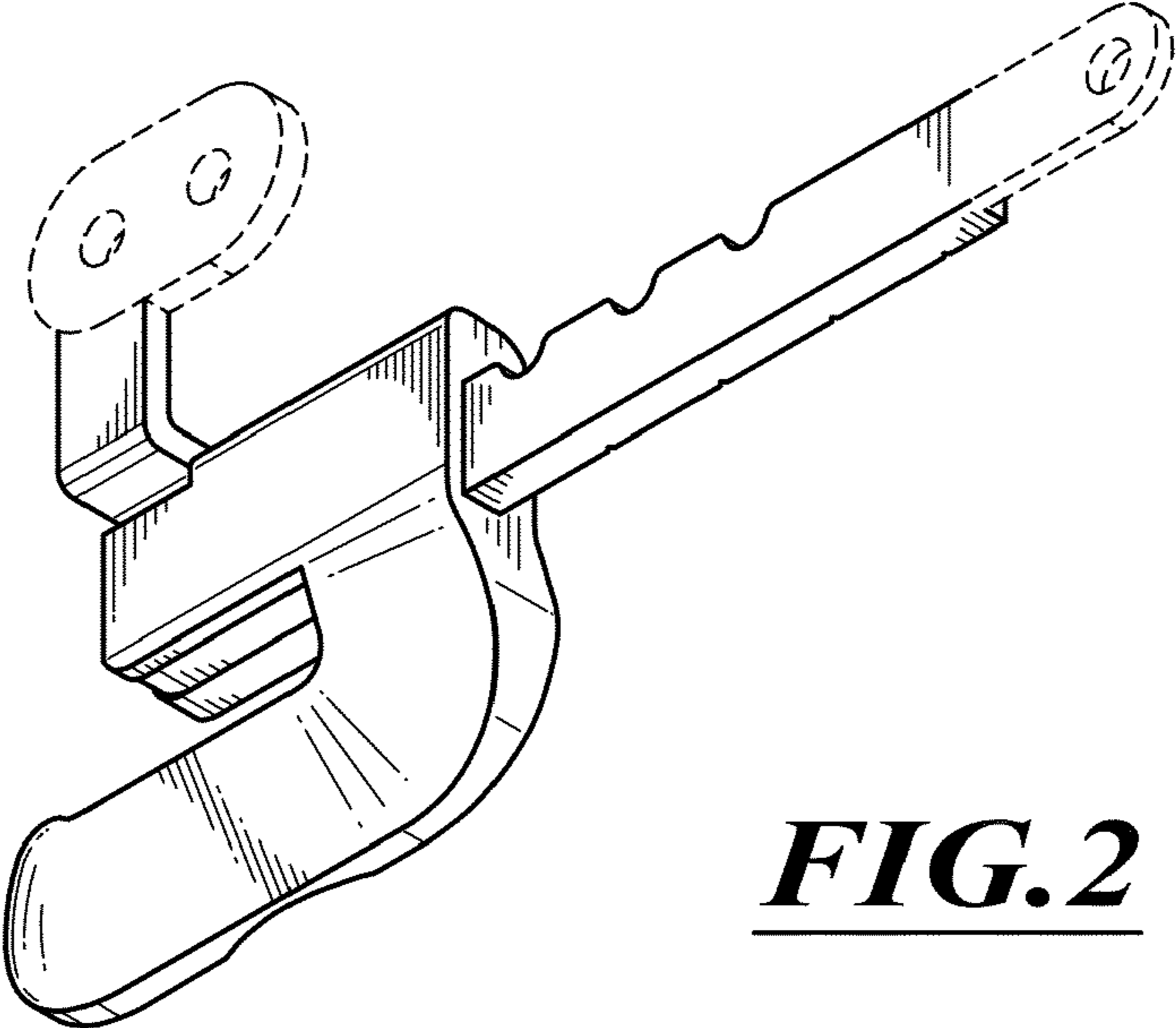
The broken lines in the figures illustrate unclaimed structure.

**1 Claim, 4 Drawing Sheets**

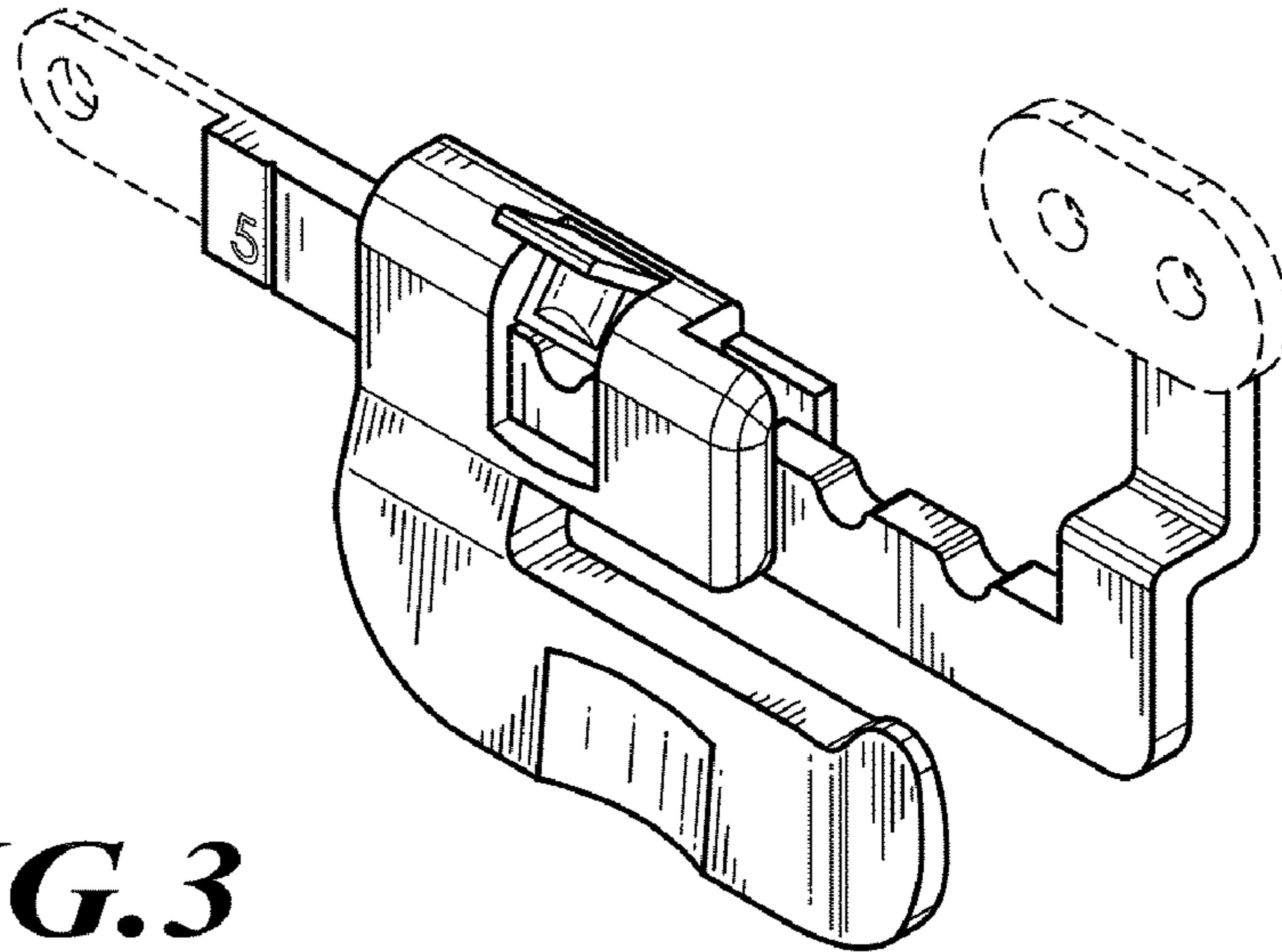




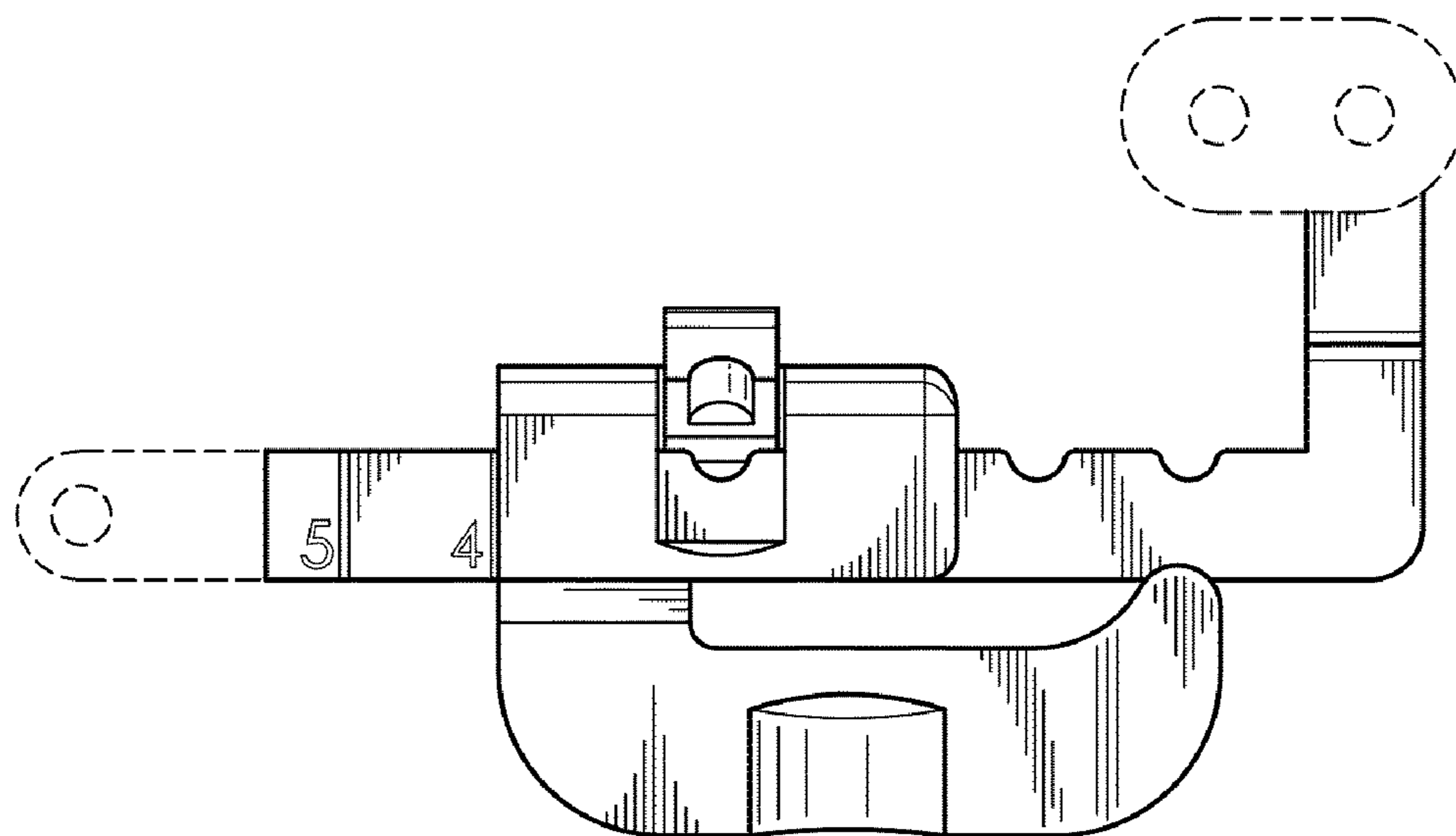
**FIG. 1**



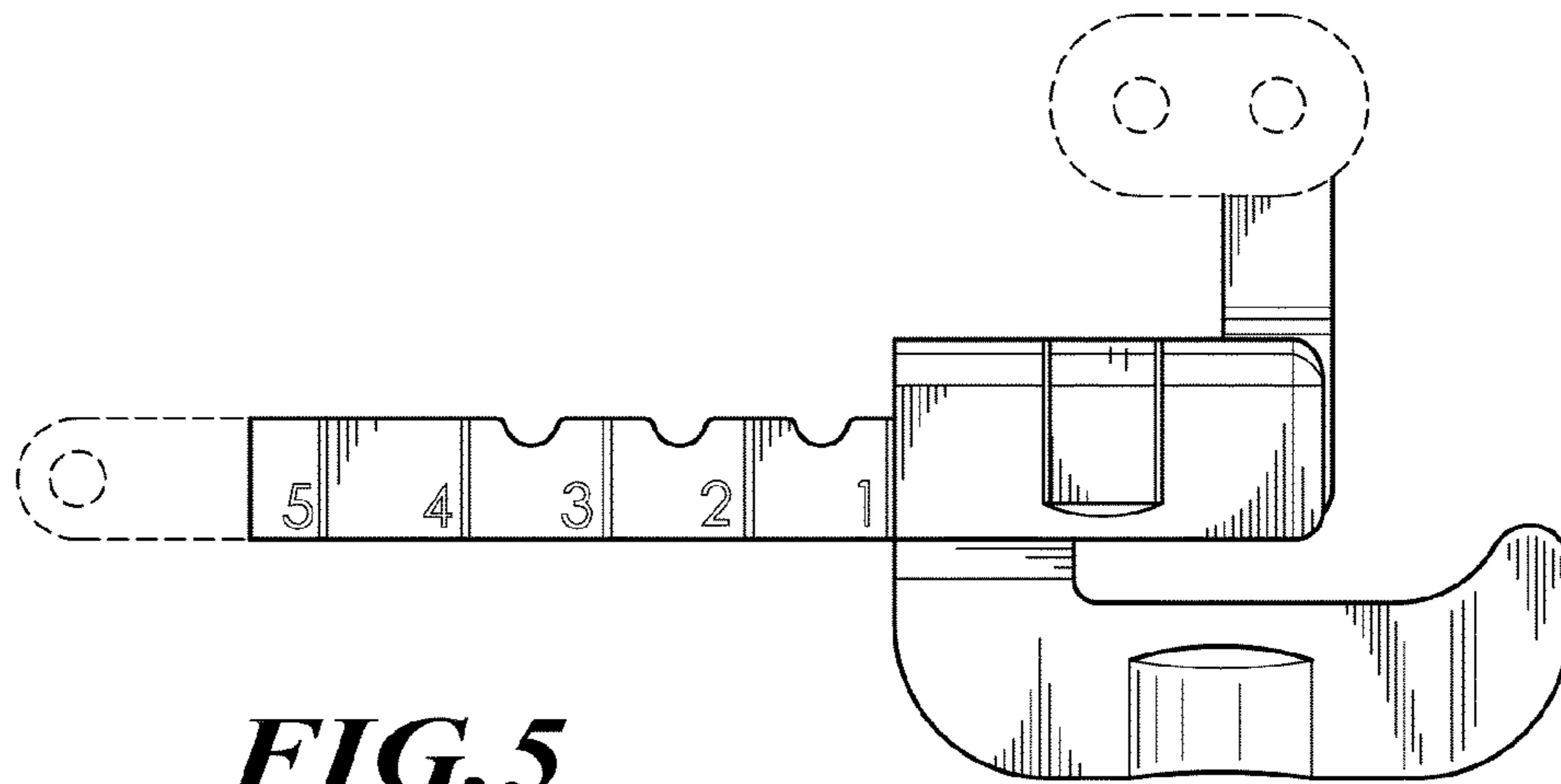
**FIG. 2**



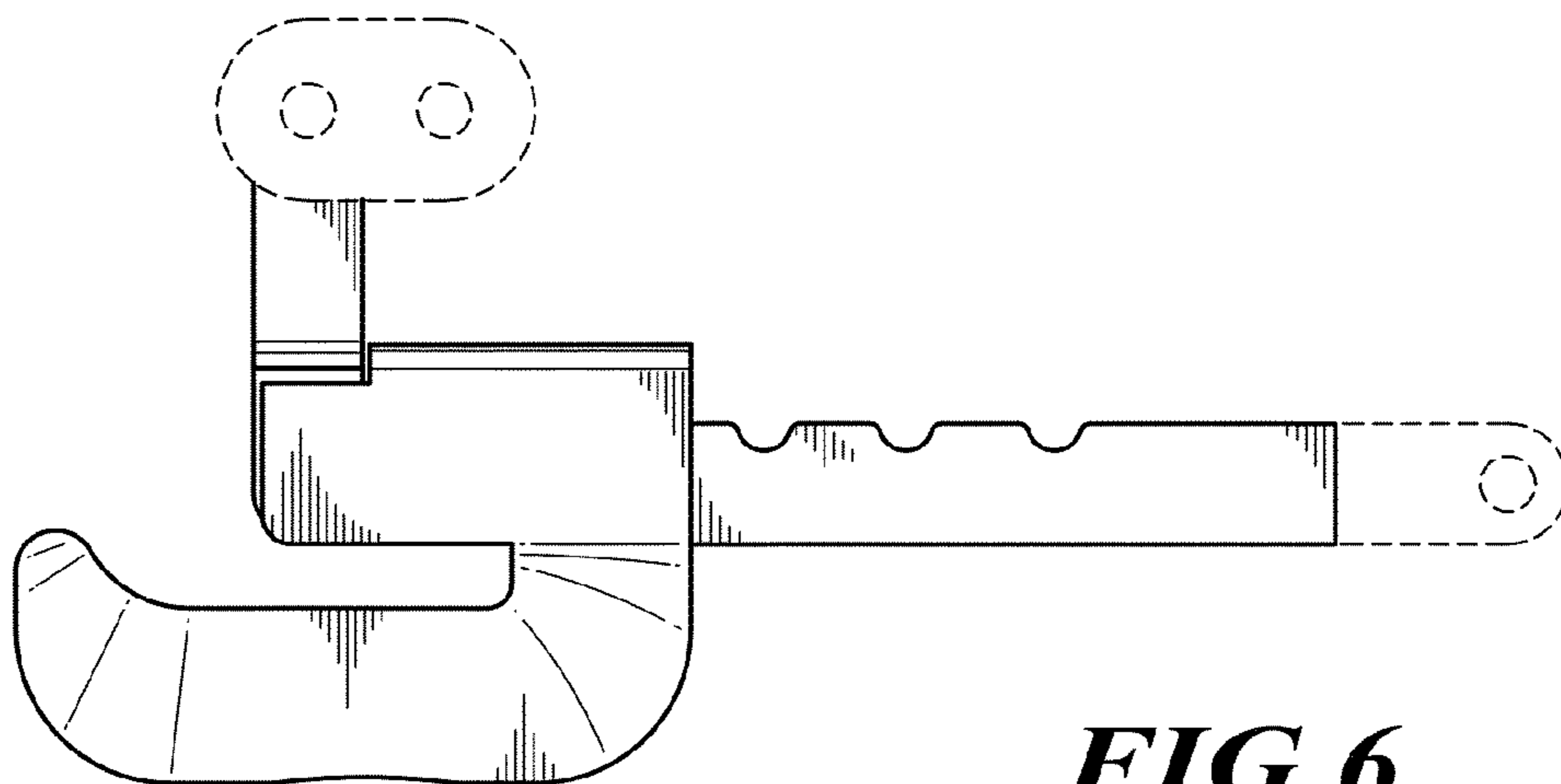
**FIG. 3**



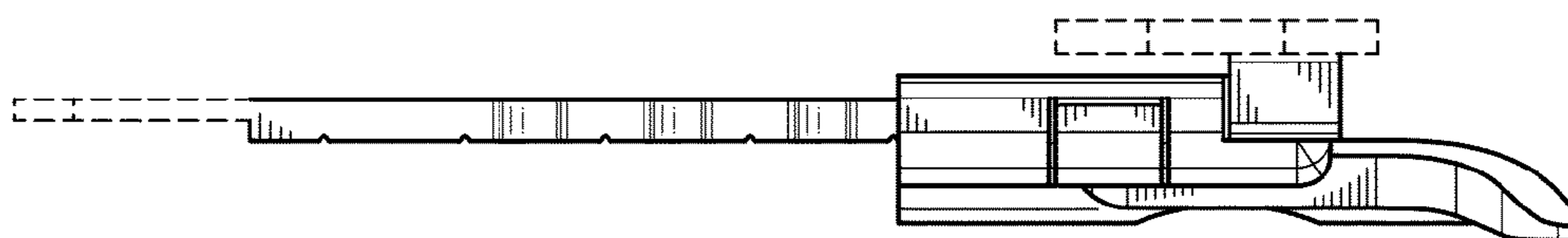
**FIG. 4**



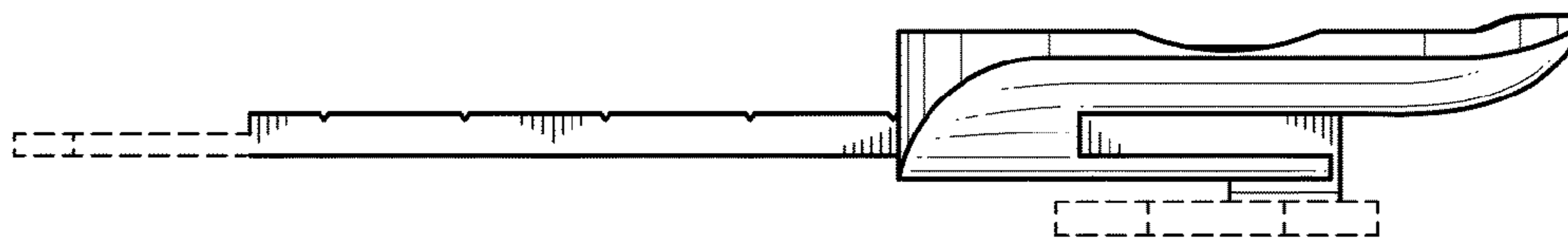
**FIG. 5**



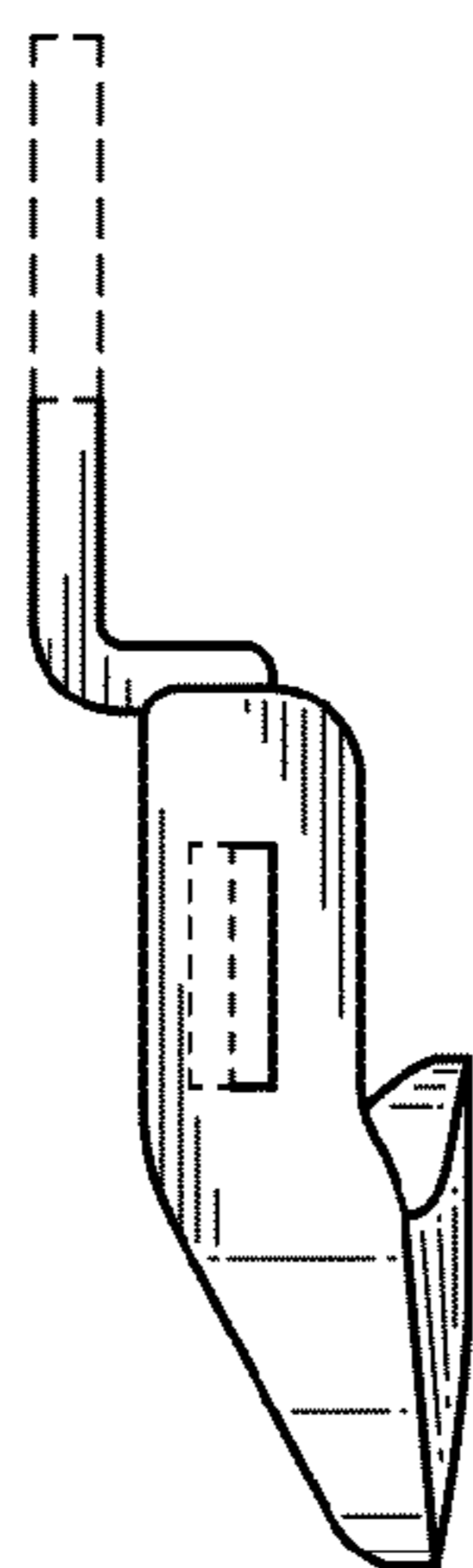
**FIG. 6**



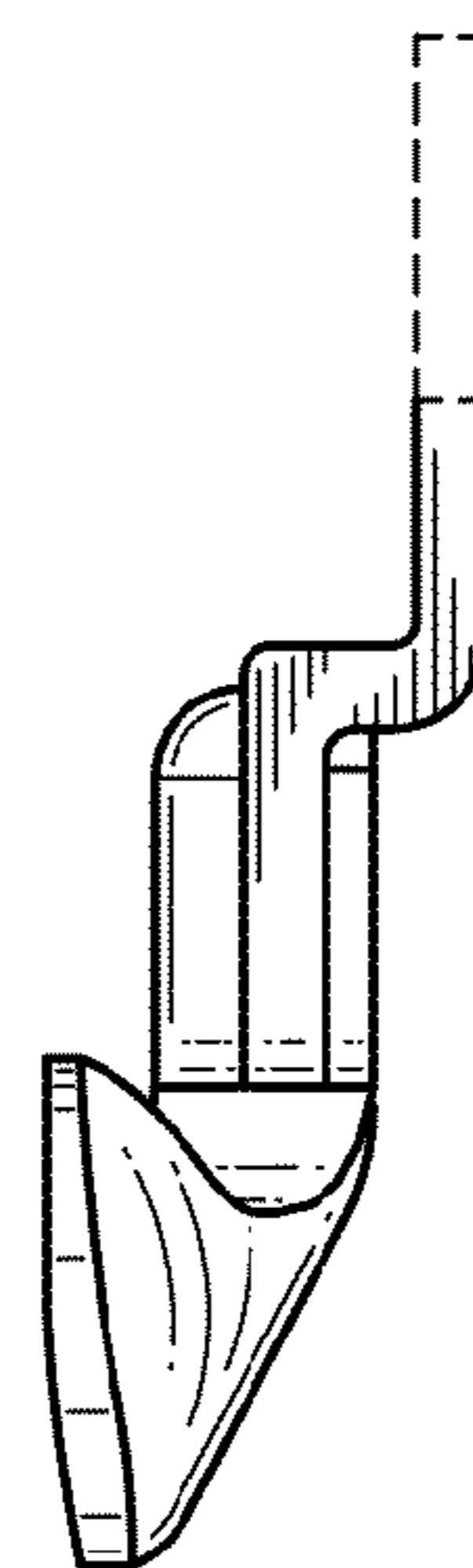
**FIG. 7**



**FIG. 8**



**FIG. 9**



**FIG. 10**