

US00D679059S

(12) **United States Design Patent**  
**Carter**

(10) **Patent No.:** **US D679,059 S**  
(45) **Date of Patent:** **\*\* Mar. 26, 2013**

(54) **BIRD FEEDER**

(75) Inventor: **James Carter**, Denver, CO (US)  
(73) Assignee: **Classic Brands, LLC**, Denver, CO (US)

(\*\*) Term: **14 Years**

(21) Appl. No.: **29/416,886**

(22) Filed: **Mar. 28, 2012**

(51) **LOC (9) Cl.** ..... **30-03**

(52) **U.S. Cl.** ..... **D30/127; D30/128**

(58) **Field of Classification Search** ..... D30/121,  
D30/124, 126-129, 133, 199, 110-112, 123,  
D30/125; 119/52.2, 51.5, 61.5, 57.8, 57.9,  
119/52.3, 61.1, 531, 63, 428-435, 52.4, 55,  
119/61.3, 69.5, 75, 76; 47/67, 83; 248/318;  
D11/164, 152; 211/128.1; D27/123; D6/495,  
D6/460, 461, 476, 405

See application file for complete search history.

(56) **References Cited**

U.S. PATENT DOCUMENTS

1,718,432 A	6/1929	Qualmann	
D109,128 S	4/1938	Copeman	
2,531,915 A	11/1950	Maly	
D164,692 S	10/1951	Kelly	
2,944,516 A	7/1960	Malloy, Sr.	
3,022,768 A	2/1962	Lynch	
D193,558 S	9/1962	Perry	
3,244,150 A	4/1966	Blair	
D240,176 S	6/1976	Heinzeroth	
4,201,155 A *	5/1980	Hyde, Jr.	119/57.8
D267,355 S	12/1982	Blasbalg	
D274,013 S	5/1984	Sun	
D278,168 S	3/1985	Latham et al.	
D285,840 S *	9/1986	Poon	D26/42
4,712,512 A	12/1987	Schreib et al.	
4,989,548 A	2/1991	Short et al.	
4,996,947 A	3/1991	Petrides	
5,033,411 A	7/1991	Brucker	
D324,436 S	3/1992	Embree	
5,191,857 A *	3/1993	Boaz	119/52.3

5,255,631 A *	10/1993	Anderson	119/52.2
D349,981 S	8/1994	Fasino	
D352,575 S	11/1994	Bransky et al.	
D365,893 S	1/1996	Thorp	
5,490,480 A	2/1996	Dumond	
D371,230 S	6/1996	Nottingham et al.	
D380,066 S	6/1997	Green et al.	
5,701,841 A	12/1997	Fasino	
5,947,054 A *	9/1999	Liethen	119/57.9
D428,437 S *	7/2000	Hmelar et al.	D18/56
6,095,087 A	8/2000	Bloedorn	
6,213,054 B1	4/2001	Marshall	
6,305,321 B1	10/2001	Potente	
D451,251 S *	11/2001	Chrisco et al.	D30/124
6,360,690 B1	3/2002	Canby	
6,408,788 B1	6/2002	Lieb et al.	
6,450,120 B1	9/2002	Nylen	
6,546,894 B2	4/2003	Chrisco et al.	
D490,576 S	5/2004	Rich et al.	
D499,515 S	12/2004	Schulze et al.	
D503,019 S	3/2005	Swift et al.	
6,863,024 B1	3/2005	Obenshain	

(Continued)

OTHER PUBLICATIONS

U.S. Appl. No. 29/387,515, filed Mar. 14, 2011, Carter et al.

(Continued)

*Primary Examiner* — Susan Moon Lee

(74) *Attorney, Agent, or Firm* — Polsinelli Shughart PC

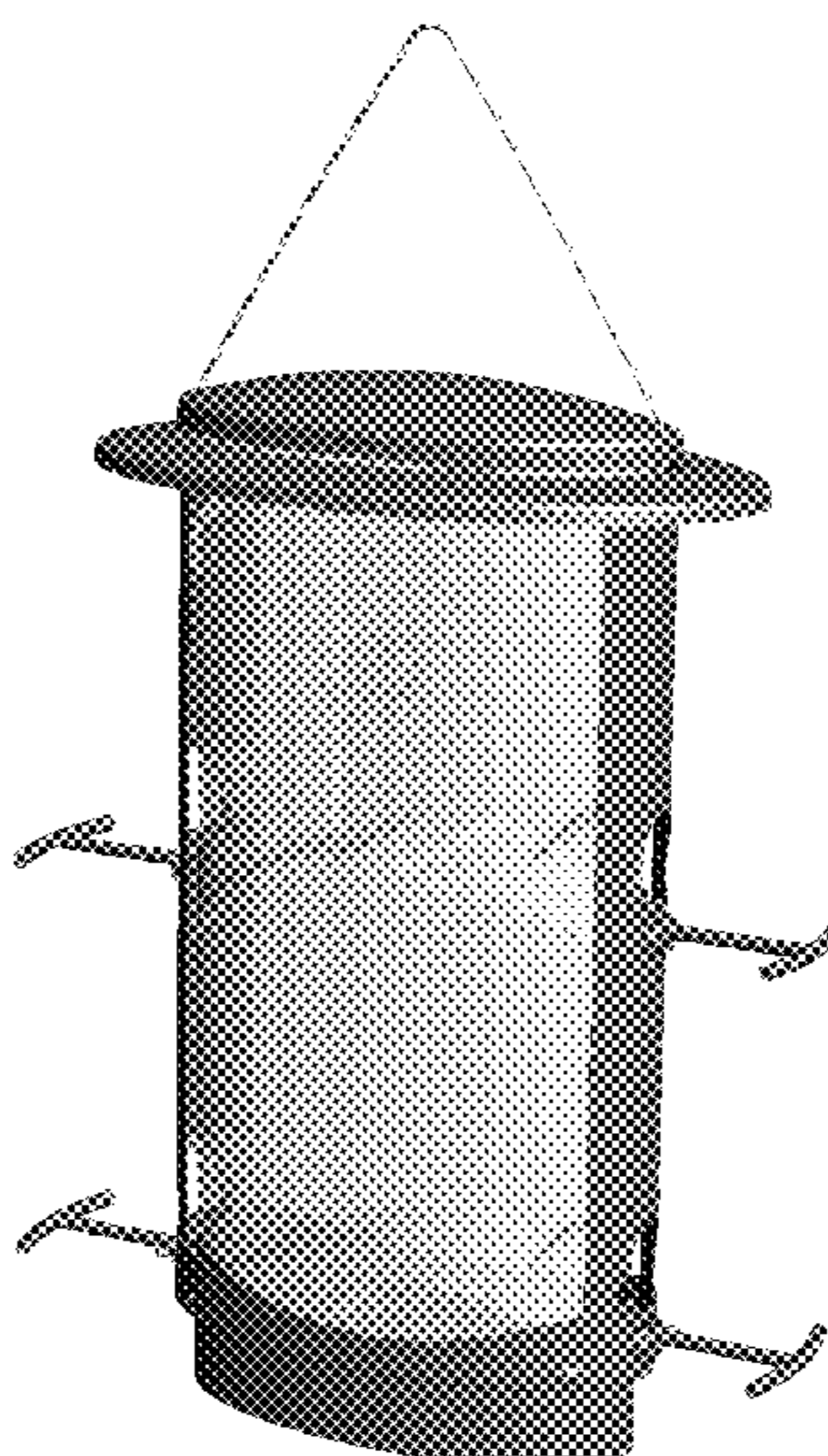
(57) **CLAIM**

The ornamental design for a bird feeder, as shown and described.

**DESCRIPTION**

FIG. 1 is a front perspective view of a bird feeder embodying my new design, the rear view being substantially the same. FIG. 2 is a left side perspective view thereof. FIG. 3 is a right side perspective view thereof. FIG. 4 is a top perspective view thereof; and, FIG. 5 is a bottom perspective view thereof.

**1 Claim, 5 Drawing Sheets**



# US D679,059 S

Page 2

## U.S. PATENT DOCUMENTS

D505,755 S 5/2005 Lundstrom et al.  
D509,325 S 9/2005 Jung et al.  
D512,800 S 12/2005 Jung et al.  
D515,748 S \* 2/2006 Jung et al. .... D30/127  
7,032,538 B1 4/2006 Lush  
7,032,539 B1 4/2006 Obenshain  
D524,490 S \* 7/2006 Obenshain ..... D30/127  
D535,445 S 1/2007 Obenshain  
7,261,056 B2 8/2007 Hunter et al.  
7,370,607 B2 5/2008 O'Dell  
7,469,656 B2 12/2008 Hunter et al.  
7,503,282 B1 3/2009 Lush  
7,506,611 B1 3/2009 Lush  
7,516,716 B2 4/2009 Puckett et al.  
D592,362 S 5/2009 Rutherford et al.  
D606,708 S 12/2009 McMullen  
D612,108 S 3/2010 Torres et al.  
D622,910 S 8/2010 Puckett  
8,272,607 B2 9/2012 Bonnema  
D671,692 S 11/2012 Carter  
2003/0226514 A1 12/2003 Cote  
2004/0216684 A1 11/2004 Obenshain  
2004/0250777 A1 \* 12/2004 Stachowiak ..... 119/52.2  
2005/0120967 A1 6/2005 Ruff  
2006/0266295 A1 11/2006 McDarren  
2006/0272585 A1 12/2006 O'Dell  
2007/0163506 A1 7/2007 Bloedorn  
2007/0227453 A1 10/2007 Puckett et al.  
2008/0022936 A1 1/2008 Stone et al.  
2008/0078329 A1 4/2008 Hunter et al.  
2008/0276874 A1 11/2008 Evans  
2009/0020075 A1 1/2009 Wood et al.  
2009/0071408 A1 \* 3/2009 Wechsler ..... 119/51.01  
2009/0260576 A1 \* 10/2009 Vosbikian ..... 119/52.2  
2009/0283046 A1 11/2009 Black  
2009/0304900 A1 \* 12/2009 Augustin ..... 426/630  
2010/0061091 A1 \* 3/2010 Galipeau et al. .... 362/234  
2010/0288200 A1 \* 11/2010 Lush ..... 119/52.3  
2011/0083609 A1 4/2011 Cote  
2011/0180004 A1 7/2011 Humphries et al.

2011/0226186 A1 9/2011 Hunter et al.  
2012/0037080 A1 2/2012 Hepp et al.  
2012/0055410 A1 3/2012 Cote

## OTHER PUBLICATIONS

U.S. Appl. No. 29/387,516, filed Mar. 14, 2011, Carter.  
U.S. Appl. No. 29/387,518, filed Mar. 14, 2011, Krueger et al.  
U.S. Appl. No. 29/387,520, filed Mar. 14, 2011, Krueger.  
U.S. Appl. No. 13/107,841, filed May 13, 2011, Donegan et al.  
U.S. Appl. No. 13/420,063, filed Mar. 14, 2012, Carter et al.  
U.S. Appl. No. 13/420,086, filed Mar. 14, 2012, Carter et al.  
U.S. Appl. No. 29/416,887, filed Mar. 28, 2012, Carter.  
Restriction Requirement, U.S. Appl. No. 29/387,519, mailed Jun. 13, 2012, 4 pages.  
Notice of Allowance, U.S. Appl. No. 29/387,520, mailed Jun. 15, 2012, 10 pages.  
Ex Parte Quayle Action, U.S. Appl. No. 29/387,515, mailed Jun. 20, 2012, 5 pages.  
Non-Final Office Action, U.S. Appl. No. 13/107,841, mailed Jun. 27, 2012, 9 pages.  
Response to Restriction Requirement, U.S. Appl. No. 29/387,519, filed Jul. 5, 2012, 2 pages.  
Non-Final Office Action, U.S. Appl. No. 29/387,516, mailed Jul. 6, 2012, 7 pages.  
Response to Ex Parte Quayle Action, U.S. Appl. No. 29/387,515, filed Aug. 20, 2012, 7 pages.  
Final Quayle Action, U.S. Appl. No. 29/387,515, mailed Aug. 28, 2012, 5 pages.  
Notice of Allowance, U.S. Appl. No. 29/387,519, mailed Sep. 13, 2012, 11 pages.  
Response to Non-Final Office Action, U.S. Appl. No. 29/387,516, filed Nov. 6, 2012, 10 pages.  
Notice of Allowance, U.S. Appl. No. 29/387,516, mailed Nov. 13, 2012, 11 pages.  
Response to Final Office Action, U.S. Appl. No. 29/387,515, filed Nov. 19, 2012, 4 pages.  
Response to Non-Final Office Action, U.S. Appl. No. 13/107,841, filed Nov. 27, 2012, 21 pages.

\* cited by examiner

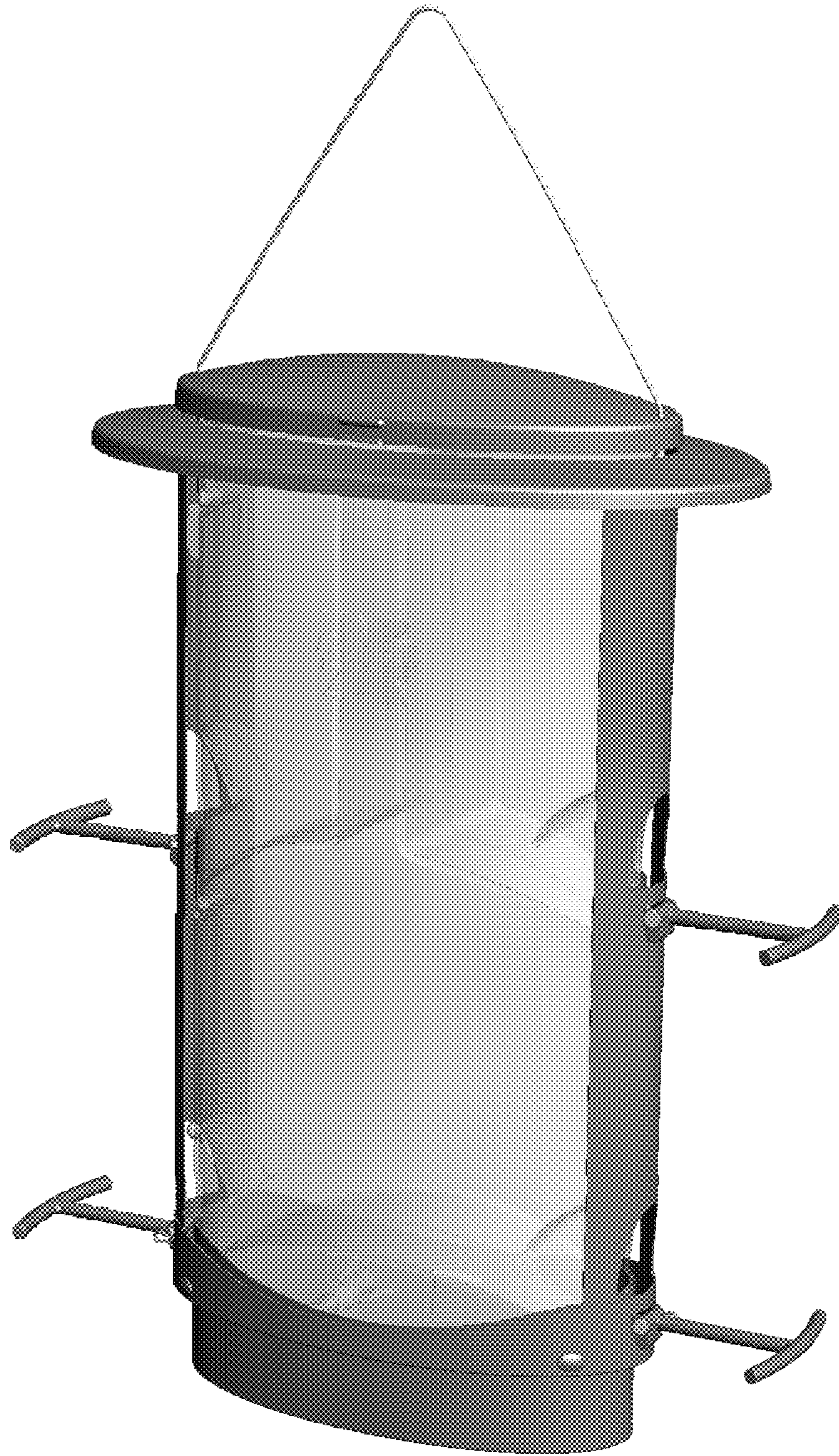


FIG. 1

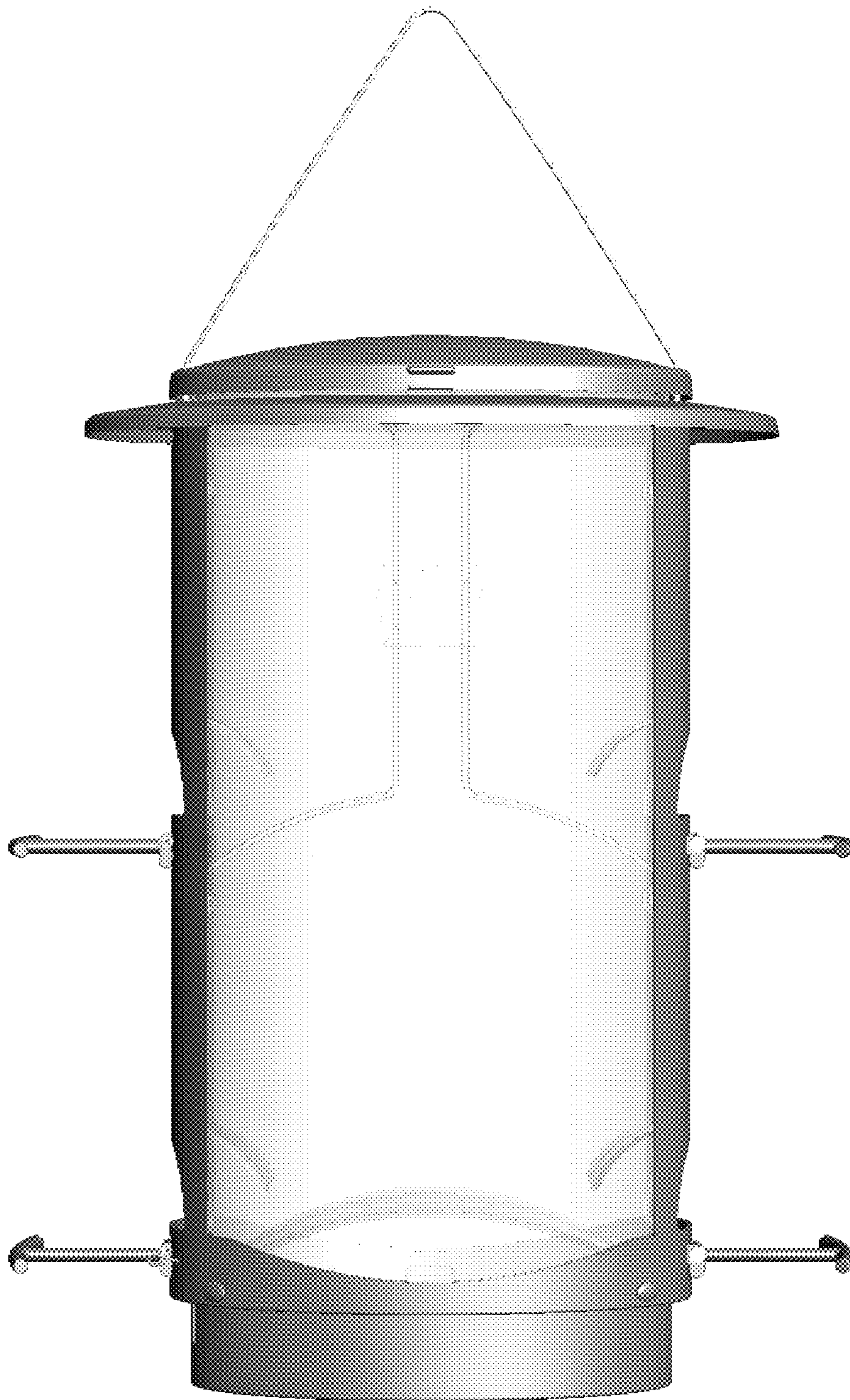


FIG. 2

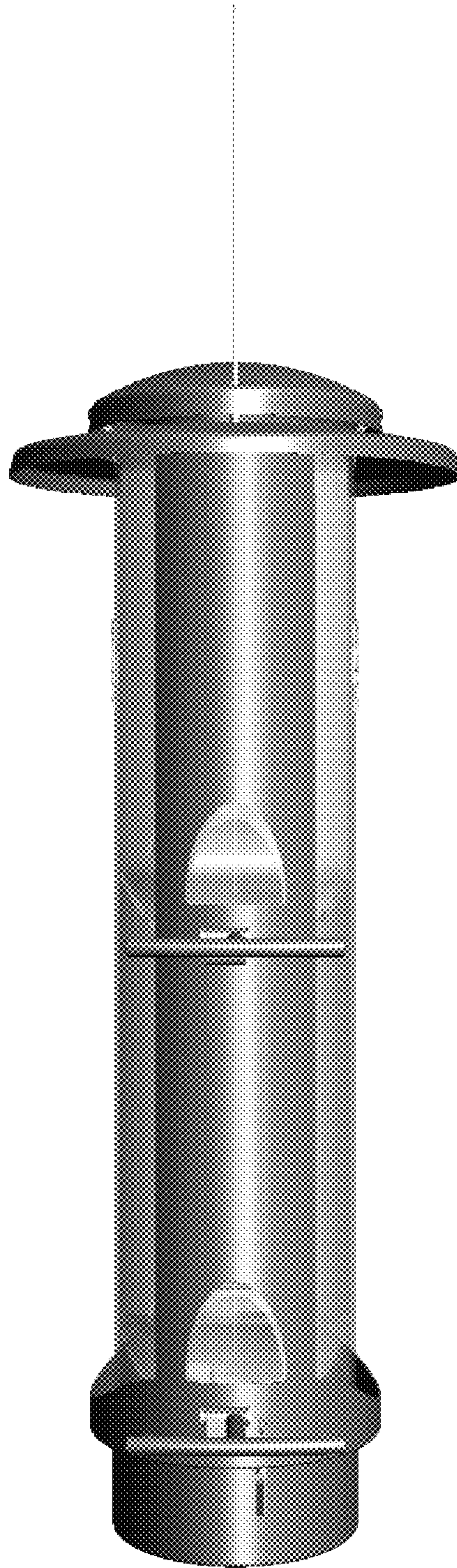


FIG. 3

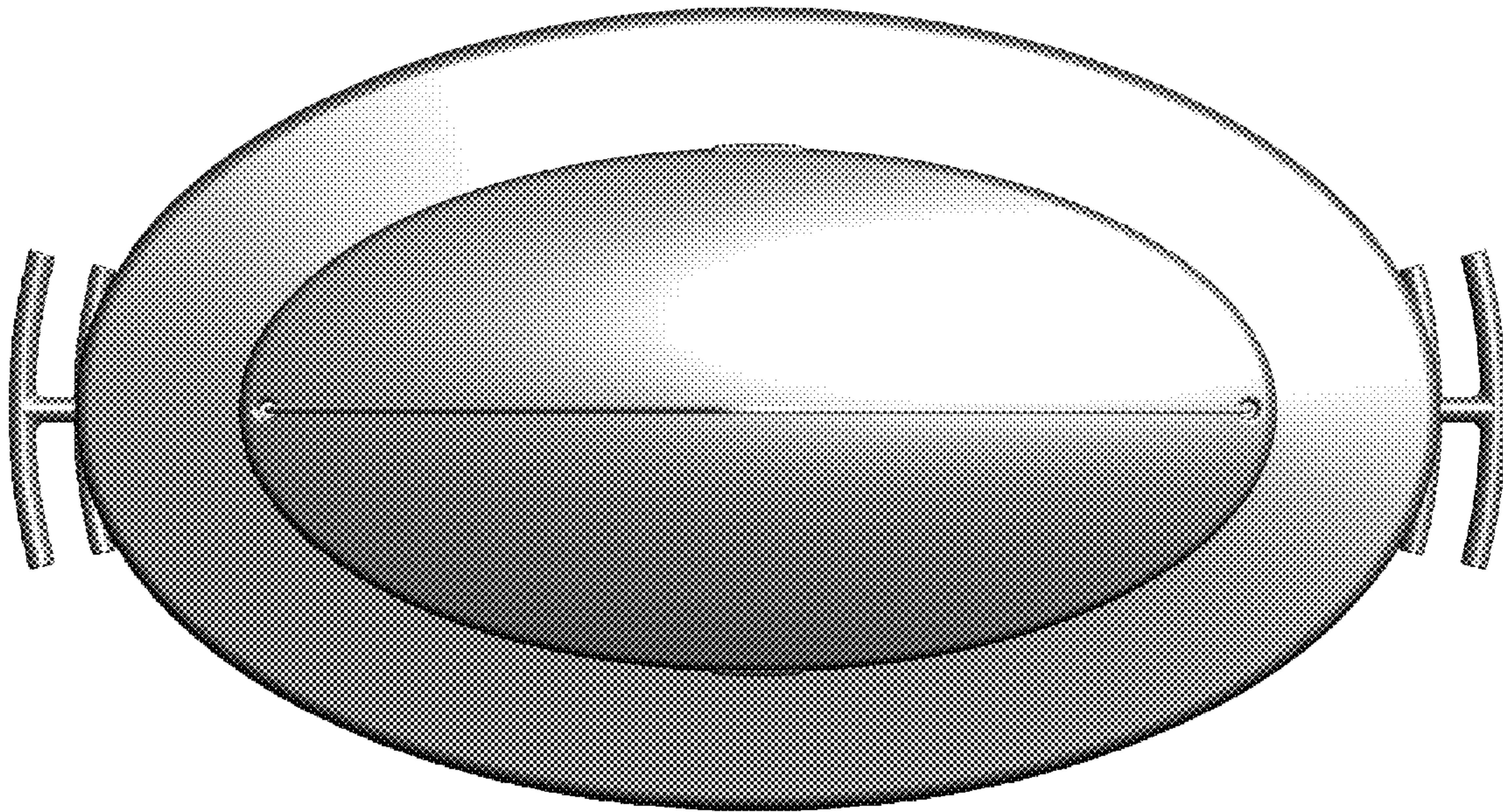


FIG. 4

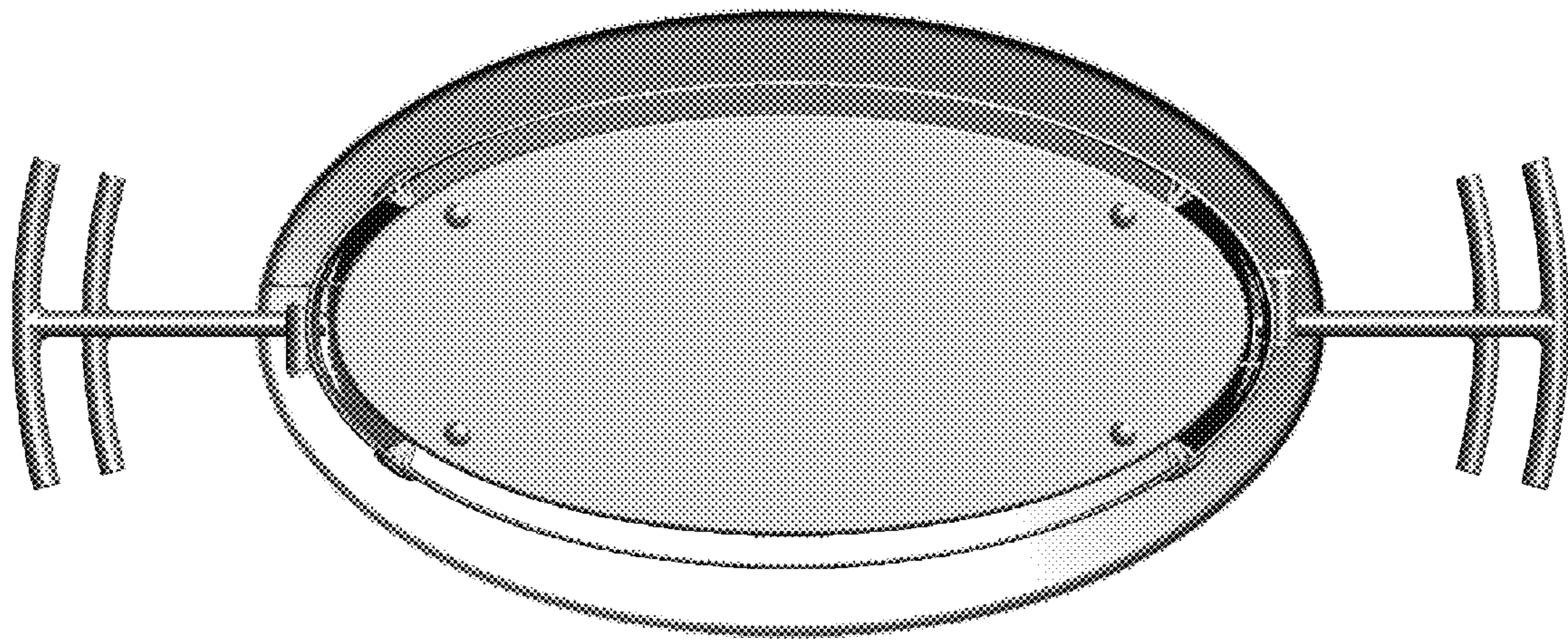


FIG. 5