



US00D679058S

(12) **United States Design Patent**
Szalkowski et al.

(10) **Patent No.:** **US D679,058 S**
(45) **Date of Patent:** **** Mar. 26, 2013**

- (54) **HELMET LINER**
- (75) Inventors: **Ron Szalkowski**, Lakewood, OH (US);
Shawn Thomas, Painesville, OH (US)
- (73) Assignee: **Intellectual Property Holdings, LLC**,
Cleveland, OH (US)
- (**) Term: **14 Years**
- (21) Appl. No.: **29/396,593**
- (22) Filed: **Jul. 1, 2011**
- (51) **LOC (9) Cl.** **29-02**
- (52) **U.S. Cl.** **D29/122**
- (58) **Field of Classification Search** D29/100,
D29/102, 103, 106, 108, 122; 2/455, 456,
2/410, 5, 6.1, 6.6, 6.8, 411, 414, 415, 417,
2/425

See application file for complete search history.

(56) **References Cited**

U.S. PATENT DOCUMENTS

666,130 A	1/1901	Cole
957,394 A	5/1910	Thoma
1,012,597 A	12/1911	Church
1,539,283 A	5/1925	Staats-Oels
1,552,965 A	9/1925	Smith
1,560,825 A	11/1925	Kelticka
1,958,050 A	5/1934	Koppelman
2,074,331 A	3/1937	Haider
2,090,881 A	8/1937	Wilson
2,221,310 A	11/1940	Gazelle
2,275,575 A	3/1942	Vrooman
2,285,335 A	6/1942	Hurt
2,303,744 A	12/1942	Jacobs
2,311,373 A	2/1943	Durning
2,318,077 A	5/1943	Jonas
2,346,161 A	4/1944	Grant
2,349,907 A	5/1944	Kos
2,433,012 A	12/1947	Zalicovitz
2,434,641 A	1/1948	Burns
2,711,033 A	6/1955	Dick
2,739,093 A	3/1956	Bull
2,759,186 A	8/1956	Dye
2,772,196 A	11/1956	Pooley
2,776,452 A	1/1957	Chavannes

2,983,056 A	5/1961	Murawski
3,018,015 A	1/1962	Agriss et al.
3,026,231 A	3/1962	Chavannes
3,086,899 A	4/1963	Smith et al.
3,088,539 A	5/1963	Mathues et al.
3,099,043 A	7/1963	Held
3,124,807 A	3/1964	Frenkel et al.
3,142,599 A	7/1964	Chavannes
3,144,247 A	8/1964	Szonn et al.
3,160,963 A	12/1964	Aaskov
3,186,013 A	6/1965	Glassman et al.
3,195,686 A	7/1965	Johnson
3,231,454 A	1/1966	Williams
3,242,500 A	3/1966	Derr
3,251,076 A	5/1966	Burke

(Continued)

FOREIGN PATENT DOCUMENTS

CA	2598015	8/2006
CA	2663728	9/2008

(Continued)

Primary Examiner — Elizabeth J Oswecki

(74) *Attorney, Agent, or Firm* — Calfee, Halter & Griswold LLP

(57) **CLAIM**

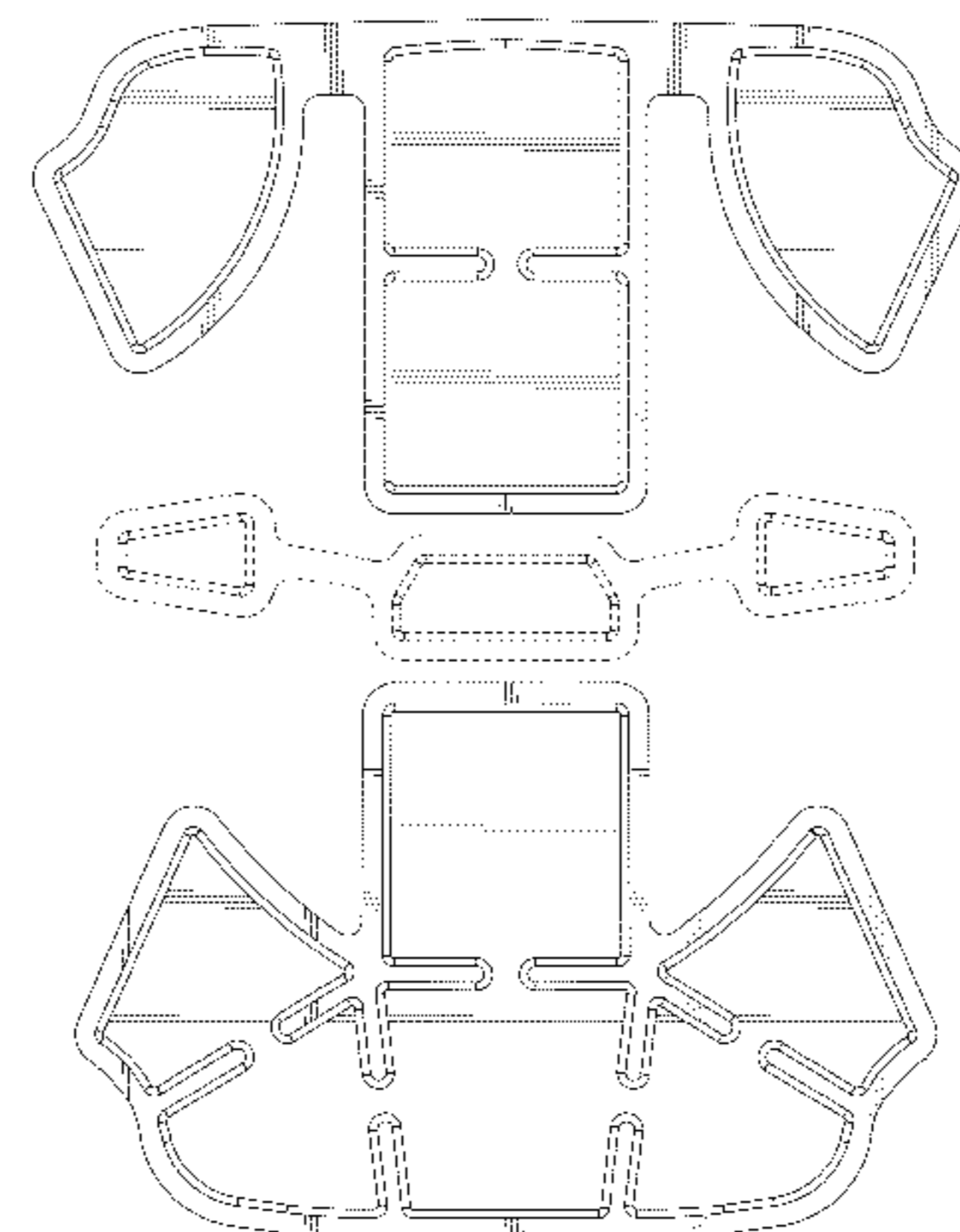
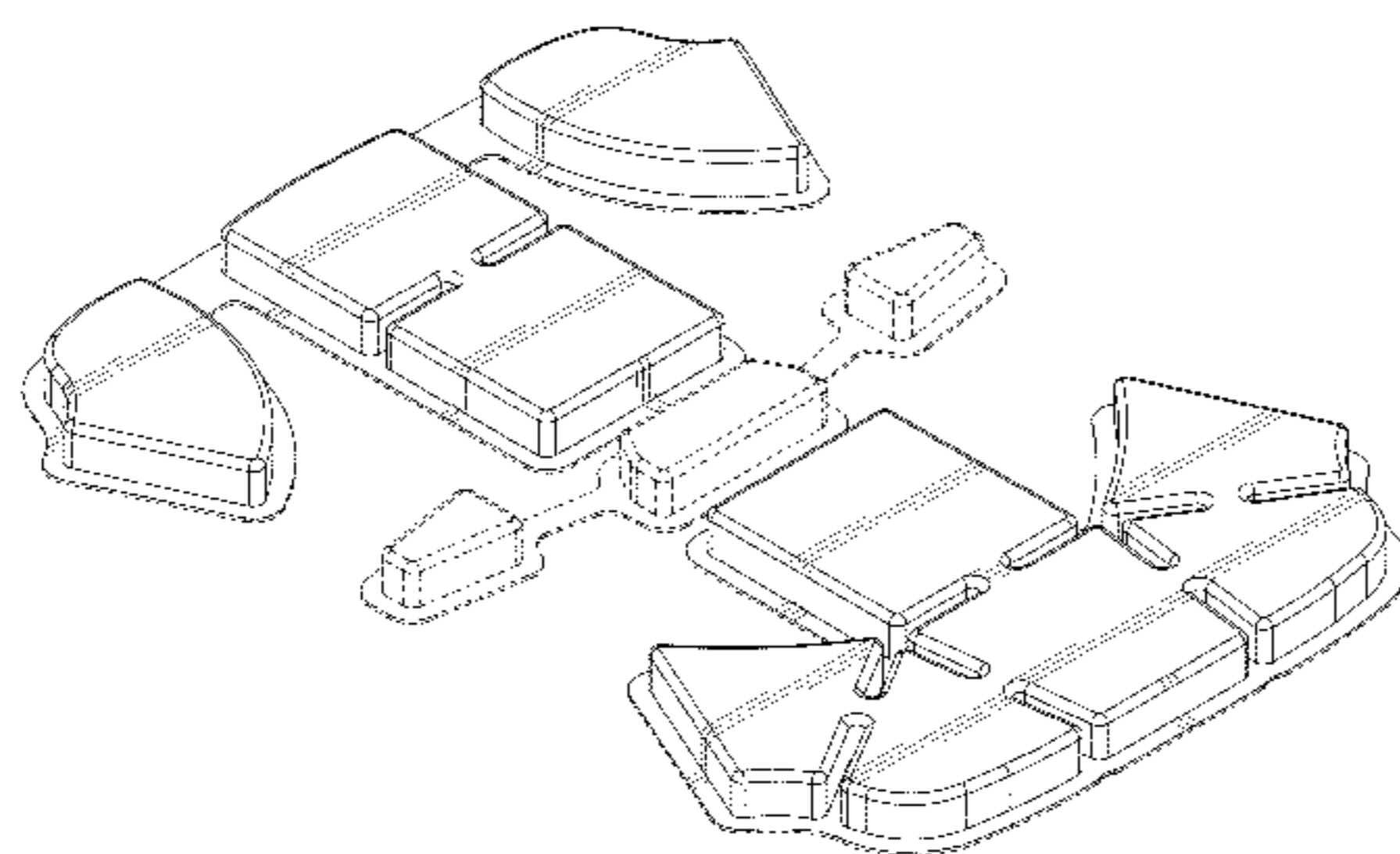
The ornamental design for a helmet liner, as shown and described.

DESCRIPTION

FIG. 1 is a top, rear, perspective view of a helmet liner showing our new design;
 FIG. 2 is a top plan view of the helmet liner shown in FIG. 1;
 FIG. 3 is a rear elevation view of the helmet liner shown in FIG. 1;
 FIG. 4 is a bottom plan view of the helmet liner shown in FIG. 1;
 FIG. 5 is a front elevation view of the helmet liner shown in FIG. 1;
 FIG. 6 is a right side elevation view of the helmet liner shown in FIG. 1; and,
 FIG. 7 is a left side elevation view of the helmet liner shown in FIG. 1.

The broken lines shown in the drawings represent portions of the helmet liner that form no part of the claimed design.

1 Claim, 4 Drawing Sheets



US D679,058 S

Page 2

U.S. PATENT DOCUMENTS							
3,280,410	A	10/1966	Propst et al.	4,187,620	A	2/1980	Selner
3,327,334	A	6/1967	Wilmanns et al.	4,190,276	A	2/1980	Hirano
3,342,666	A	9/1967	Hull	4,192,699	A	3/1980	Lewicki et al.
3,366,971	A	2/1968	Scherz	4,213,202	A	7/1980	Larry
3,378,888	A	4/1968	Robertson	4,223,455	A	9/1980	Vermeulen
3,425,061	A	2/1969	Webb	4,223,456	A	9/1980	Cohen
3,447,163	A	6/1969	Bothwell et al.	4,236,326	A	12/1980	Inohara
3,484,835	A	12/1969	Trountine et al.	4,239,476	A	12/1980	Somberg
3,500,472	A	3/1970	Castellani	4,251,932	A	2/1981	Love
3,500,475	A	3/1970	Otsuka	4,262,433	A	4/1981	Hagg
3,507,727	A	4/1970	Marshack	4,267,648	A	5/1981	Weisz
3,508,992	A	4/1970	Chavannes et al.	4,279,038	A	7/1981	Bruckner et al.
3,514,156	A	5/1970	Fields	4,288,399	A	9/1981	Siedenstrang et al.
3,525,663	A	8/1970	Hale	4,290,149	A	9/1981	Aileo
3,538,628	A	11/1970	Einstein, Jr.	4,297,797	A	11/1981	Meyers
3,575,781	A	4/1971	Pezely	4,299,038	A	11/1981	Epple
3,600,714	A	8/1971	Cade	4,302,892	A	12/1981	Adamik
3,608,215	A	9/1971	Fukuoka	4,305,212	A	12/1981	Coomer
3,609,764	A	10/1971	Morgan	4,307,471	A	12/1981	Lovell
3,618,144	A	11/1971	Frey et al.	4,321,989	A	3/1982	Meinzer
3,633,228	A	1/1972	Zysman	4,338,371	A	7/1982	Dawn et al.
3,668,056	A	6/1972	Hayes, Jr.	4,342,157	A	8/1982	Gilbert
3,668,704	A	6/1972	Conroy	4,342,158	A	8/1982	McMahon
3,673,609	A	7/1972	De Simone	4,345,338	A	8/1982	Frieder, Jr. et al.
3,679,166	A	7/1972	Sturhan	4,347,637	A	9/1982	Ardito
3,684,235	A	8/1972	Schupbach	4,352,484	A	10/1982	Gertz
3,709,967	A	1/1973	Held, Jr.	4,355,792	A	10/1982	Fukuda
3,716,614	A	2/1973	Okamoto et al.	4,356,642	A	11/1982	Herman
3,747,968	A	7/1973	Hornsby	D267,287	S	12/1982	Gooding D29/122
3,766,669	A	10/1973	Pearsall	D267,831	S	2/1983	Sucato
3,782,767	A	1/1974	Moore	4,370,754	A	2/1983	Donzis
3,784,985	A	1/1974	Conroy	4,372,058	A	2/1983	Stubblefield
3,806,950	A	4/1974	Spencer-Foote	4,377,042	A	3/1983	Bauer
3,837,991	A	9/1974	Evans	4,391,048	A	7/1983	Lutz
3,844,862	A	10/1974	Sauer et al.	4,398,357	A	8/1983	Batra
3,849,801	A	11/1974	Holt et al.	4,400,483	A	8/1983	Siedenstrang et al.
3,853,221	A	12/1974	Boyd	4,400,894	A	8/1983	Ehrlich
3,857,144	A	12/1974	Bustin	4,413,856	A	11/1983	McMahan et al.
3,863,909	A	2/1975	Weber	4,418,483	A	12/1983	Fujita
3,871,636	A	3/1975	Boyle	4,423,000	A	12/1983	Teraoka
3,872,511	A	3/1975	Nichols	4,428,306	A	1/1984	Dresen et al.
3,877,076	A	4/1975	Summers	4,432,099	A	2/1984	Grick et al.
3,882,547	A	5/1975	Morgan	4,439,936	A	4/1984	Clarke et al.
3,895,456	A	7/1975	Fabre	4,445,283	A	5/1984	Meyers
3,900,222	A	8/1975	Muller	4,449,307	A	5/1984	Stubblefield
3,911,187	A	10/1975	Raley	4,453,271	A	6/1984	Donzis
3,926,463	A	12/1975	Landwehr	4,455,765	A	6/1984	Sjosward
3,928,881	A	12/1975	Bente	4,458,430	A	7/1984	Peterson
3,933,387	A	1/1976	Salloum et al.	4,460,205	A	7/1984	Glance
3,940,529	A	2/1976	Hepford et al.	4,494,320	A	1/1985	Davis
3,940,811	A	3/1976	Tomikawa et al.	4,497,123	A	2/1985	Ehrlich
3,952,358	A	4/1976	Fukuoka	4,510,702	A	4/1985	Ehrlich, Jr.
3,971,583	A	7/1976	Kornhauser	4,513,449	A	4/1985	Donzis
3,994,020	A	11/1976	Villari	4,518,643	A	5/1985	Francis
3,995,901	A	12/1976	Filbert, Jr. et al.	4,523,393	A	6/1985	Inohara
3,997,207	A	12/1976	Norlin	4,534,068	A	8/1985	Mitchell et al.
3,999,220	A	12/1976	Keltner	4,535,553	A	8/1985	Derderian et al.
4,022,505	A	5/1977	Saczawa, Jr.	4,538,366	A	9/1985	Norton
4,023,213	A	5/1977	Rovani	4,546,555	A	10/1985	Spademan
4,029,350	A	6/1977	Goupy et al.	4,553,342	A	11/1985	Derderian et al.
4,029,534	A	6/1977	Bocks et al.	4,558,470	A	12/1985	Mitchell et al.
4,038,700	A	8/1977	Gyory	4,562,651	A	1/1986	Frederick et al.
4,044,399	A	8/1977	Morton	4,566,137	A	1/1986	Gooding
4,044,479	A	8/1977	Brutting	4,566,678	A	1/1986	Anderson
4,064,565	A	12/1977	Griffiths	4,578,296	A	3/1986	Miyazaki
4,067,063	A	1/1978	Ettinger	4,586,200	A	5/1986	Poon
4,075,717	A	2/1978	Lemelson	4,601,367	A	7/1986	Bongers
4,077,393	A	3/1978	Mattson	4,616,431	A	10/1986	Dassler
4,099,759	A	7/1978	Kornhauser	4,619,055	A	10/1986	Davidson
4,101,983	A	7/1978	Dera et al.	4,624,061	A	11/1986	Wezel et al.
4,106,745	A	8/1978	Carrow	4,627,114	A	12/1986	Mitchell
4,110,857	A	9/1978	Banister	4,631,221	A	12/1986	Disselbeck et al.
4,114,197	A	9/1978	Morton	4,635,384	A	1/1987	Huh et al.
4,134,156	A	1/1979	Gyory	4,635,981	A	1/1987	Friton
4,151,661	A	5/1979	Namba	4,642,814	A	2/1987	Godfrey
4,154,469	A	5/1979	Goupy et al.	4,657,716	A	4/1987	Schmidt
4,154,489	A	5/1979	Lyman	4,667,423	A	5/1987	Autry et al.
4,170,078	A	10/1979	Moss	4,670,995	A	6/1987	Huang
				4,672,754	A	6/1987	Ehrlich

US D679,058 S

4,676,010 A	6/1987	Cheskin	5,046,267 A	9/1991	Kilgore et al.
4,680,875 A	7/1987	DAnieli	5,048,203 A	9/1991	Kling
4,695,496 A	9/1987	Lee	5,056,162 A	10/1991	Tirums
4,700,403 A	10/1987	Vacanti	5,058,212 A	10/1991	Kamata
4,704,746 A	11/1987	Nava	5,066,400 A	11/1991	Rocklitz et al.
4,710,984 A	12/1987	Asper	5,068,922 A	12/1991	Zahn
4,720,261 A	1/1988	Fishwick et al.	5,083,320 A	1/1992	Halstead
4,722,131 A	2/1988	Huang	5,083,361 A	1/1992	Rudy
4,724,549 A	2/1988	Herder et al.	5,086,033 A	2/1992	Armor et al.
4,730,402 A	3/1988	Norton et al.	5,092,060 A	3/1992	Frachey et al.
4,739,762 A	4/1988	Palmaz	5,093,938 A	3/1992	Kamata
4,741,114 A	5/1988	Stubblefield	5,097,607 A	3/1992	Fredericksen
4,753,021 A	6/1988	Cohen	5,098,124 A	3/1992	Breed et al.
4,759,136 A	7/1988	Stewart et al.	5,124,191 A	6/1992	Seksaria
4,763,426 A	8/1988	Polus et al.	5,131,174 A	7/1992	Drew et al.
4,766,614 A	8/1988	Cantwell et al.	5,150,935 A	9/1992	Glance et al.
4,768,295 A	9/1988	Ito	5,165,990 A	11/1992	Nakano
4,798,009 A	1/1989	Colonel et al.	5,168,576 A	12/1992	Krent et al.
4,808,469 A	2/1989	Hiles	5,235,715 A	8/1993	Donzis
4,815,221 A	3/1989	Diaz	5,263,203 A	11/1993	Kraemer et al.
4,817,304 A	4/1989	Parker et al.	5,271,103 A	12/1993	Darnell
4,823,483 A	4/1989	Chapnick	5,274,846 A	1/1994	Kolsky
4,831,750 A	5/1989	Muller	5,324,460 A	6/1994	Briggs
4,838,606 A	6/1989	Furubayashi et al.	5,330,249 A	7/1994	Weber et al.
4,842,931 A	6/1989	Zook	5,376,318 A	12/1994	Ho
4,843,741 A	7/1989	Yung-Mao	5,421,035 A	6/1995	Klose et al.
4,844,213 A	7/1989	Travis	5,423,087 A	6/1995	Krent et al.
4,845,786 A	7/1989	Chiarella	5,439,733 A	8/1995	Paire
4,845,861 A	7/1989	Moumdjian	D364,487 S	11/1995	Tutton et al.
4,845,863 A	7/1989	Yung-Mao	5,477,558 A	12/1995	Volker et al.
4,852,704 A	8/1989	Brockenbrough	5,543,194 A	8/1996	Rudy
4,856,208 A	8/1989	Zaccaro	5,581,818 A	12/1996	Lorenzi et al.
4,856,833 A	8/1989	Beekman	5,591,379 A	1/1997	Shores
4,858,343 A	8/1989	Flemming	5,598,588 A	2/1997	Lee
4,858,606 A	8/1989	Hamlin	5,611,153 A	3/1997	Fisher et al.
4,872,220 A	10/1989	Haruvy et al.	5,655,226 A	8/1997	Williams
4,876,053 A	10/1989	Norton	5,669,079 A	9/1997	Morgan
4,883,299 A	11/1989	Bonar	5,734,994 A	4/1998	Rogers
4,887,369 A	12/1989	Bailey	5,741,568 A	4/1998	Rudy
4,890,877 A	1/1990	Ashtiani-Zarandi et al.	5,766,704 A	6/1998	Allen et al.
4,899,467 A	2/1990	Mackey	5,891,372 A	4/1999	Besset et al.
4,904,008 A	2/1990	Glance	5,913,412 A	6/1999	Huber et al.
4,905,382 A	3/1990	Lin	5,946,734 A	9/1999	Vogan
4,909,661 A	3/1990	Ivey	5,950,244 A	9/1999	Fournier et al.
4,912,861 A	4/1990	Huang	5,992,054 A	11/1999	Rauch
4,916,759 A	4/1990	Arai	6,051,624 A	4/2000	Bastin et al.
4,918,841 A	4/1990	Turner	6,070,271 A	6/2000	Williams
4,920,663 A	5/1990	Flemming	6,093,468 A	7/2000	Toms et al.
4,922,630 A	5/1990	Robinson	6,105,162 A	8/2000	Douglas et al.
4,922,631 A	5/1990	Anderie	6,105,176 A	8/2000	Egger
4,923,650 A	5/1990	Antoon, Jr. et al.	6,108,825 A	8/2000	Bell et al.
4,925,224 A	5/1990	Smiszek	6,154,889 A	12/2000	Moore, III et al.
4,930,231 A	6/1990	Liu	6,298,497 B1	10/2001	Chartrand
4,931,115 A	6/1990	Pajunen	6,326,077 B1	12/2001	Monaci
4,934,071 A	6/1990	Virgini	6,351,854 B1	3/2002	Whalen et al.
4,941,701 A	7/1990	Loren	6,381,759 B1	5/2002	Katz
4,951,986 A	8/1990	Hanfusa et al.	6,383,431 B1	5/2002	Dobrin et al.
D310,893 S	9/1990	Broersma	6,391,935 B1	5/2002	Hager et al.
4,969,680 A	11/1990	Shimoda	6,425,141 B1	7/2002	Ewing et al.
4,970,729 A	11/1990	Shimazaki	6,434,755 B1	8/2002	Halstead et al.
4,972,611 A	11/1990	Swartz	6,446,270 B1	9/2002	Durr
4,984,320 A	1/1991	Curley, Jr. et al.	6,453,476 B1	9/2002	Moore, III
4,993,173 A	2/1991	Gardener	6,467,099 B2	10/2002	Dennis et al.
4,999,931 A	3/1991	Vermeulen	6,485,446 B1	11/2002	Brother et al.
5,011,642 A	4/1991	Welygan et al.	6,499,147 B2	12/2002	Schiebl et al.
5,014,449 A	5/1991	Richard et al.	6,532,602 B2	3/2003	Watters et al.
5,014,691 A	5/1991	Cueman et al.	D475,486 S *	6/2003	Ide et al. D29/122
5,016,417 A	5/1991	Mentken	6,604,246 B1	8/2003	Obreja
5,025,504 A	6/1991	Benston et al.	6,634,045 B1	10/2003	DuDonis et al.
5,027,803 A	7/1991	Scholtz et al.	6,658,671 B1	12/2003	Von Holst et al.
5,030,501 A	7/1991	Colvin et al.	6,671,889 B2	1/2004	Dennis et al.
5,033,593 A	7/1991	Kazuhito	6,679,967 B1	1/2004	Carroll, III et al.
5,035,009 A	7/1991	Wingo, Jr. et al.	6,681,409 B2	1/2004	Dennis et al.
5,035,758 A	7/1991	Degler et al.	6,682,128 B2	1/2004	Carroll, III et al.
5,042,174 A	8/1991	Nichols	D491,695 S *	6/2004	Long D29/122
5,042,175 A	8/1991	Romen et al.	6,752,450 B2	6/2004	Carroll, III et al.
5,042,176 A	8/1991	Rudy	D495,096 S *	8/2004	Long D29/122
5,042,859 A	8/1991	Zhang et al.	6,803,005 B2	10/2004	Dennis et al.
5,044,096 A	9/1991	Polegato	6,926,947 B1	8/2005	Seckel

US D679,058 S

Page 4

D521,191 S *	5/2006	Berger	D29/122	2007/0281125 A1	12/2007	Moore, III et al.
D523,180 S *	6/2006	Frye	D29/122	2008/0035442 A1	2/2008	Spingler
7,240,376 B2	7/2007	Ide et al.		2008/0036242 A1	2/2008	Glance et al.
7,255,910 B1	8/2007	Seckel		2008/0155735 A1	7/2008	Ferrara
7,299,505 B2	11/2007	Dennis et al.		2008/0256686 A1	10/2008	Ferrara
7,316,036 B2	1/2008	Rudolf et al.		2009/0038055 A1	2/2009	Ferrara
7,338,038 B2	3/2008	Maurer et al.		2009/0178184 A1	7/2009	Brine, III et al.
7,341,776 B1	3/2008	Milliren et al.		2009/0265841 A1	10/2009	Ferrara
D570,055 S	5/2008	Ferrara et al.		2009/0289026 A1	11/2009	Ferrara
7,377,577 B2	5/2008	Carroll, III et al.		2010/0000009 A1	1/2010	Morgan
7,384,095 B2	6/2008	Cormier		2010/0186150 A1	7/2010	Ferrara et al.
7,404,593 B2	7/2008	Cormier		2010/0258988 A1	10/2010	Darnell et al.
D577,866 S *	9/2008	Frye et al.	D29/122	2010/0299812 A1	12/2010	Maddux et al.
D581,599 S	11/2008	Ferrara et al.		2010/0299813 A1	12/2010	Morgan
D582,607 S	12/2008	Ferrara et al.		2011/0047685 A1	3/2011	Ferrara
7,464,414 B2	12/2008	McDuff				
D584,456 S	1/2009	Ferrara				
7,513,344 B2	4/2009	Toccalino				
7,574,760 B2	8/2009	Foley et al.				
D603,103 S	10/2009	Ferrara et al.				
7,603,725 B2	10/2009	Harris				
7,625,023 B2	12/2009	Audi et al.				
D608,688 S	1/2010	Dalzell et al.				
7,673,351 B2	3/2010	Copeland et al.				
7,676,854 B2	3/2010	Berger et al.				
7,677,538 B2	3/2010	Darnell et al.				
D617,503 S	6/2010	Szalkowski et al.				
D621,099 S *	8/2010	Johnson et al.	D29/122			
D622,449 S *	8/2010	Culley et al.	D29/122			
7,774,866 B2	8/2010	Ferrara				
7,802,320 B2	9/2010	Morgan				
7,895,681 B2	3/2011	Ferrara				
D637,356 S *	5/2011	Green et al.	D29/122			
7,950,073 B2	5/2011	Ferrara				
D640,422 S *	6/2011	Green et al.	D29/122			
7,959,023 B2	6/2011	Ferrara				
D655,051 S *	2/2012	O'Keefe et al.	D29/122			
D663,076 S *	7/2012	Parsons et al.	D29/122			
D666,779 S *	9/2012	Harris	D29/122			
2002/0017805 A1	2/2002	Carroll, III et al.				
2002/0152542 A1	10/2002	Dennis et al.				
2002/0168496 A1	11/2002	Morimoto et al.				
2003/0230866 A1	12/2003	Lee				
2004/0199981 A1	10/2004	Tucker				
2004/0200094 A1	10/2004	Baychar				
2005/0166302 A1	8/2005	Dennis				
2005/0268383 A1	12/2005	Harris				
2006/0059605 A1	3/2006	Ferrara				
2006/0059606 A1	3/2006	Ferrara				
2006/0064900 A1	3/2006	Aveni				
2007/0083965 A1	4/2007	Darnell et al.				
2007/0190292 A1	8/2007	Ferrara				
2007/0190293 A1	8/2007	Ferrara				

FOREIGN PATENT DOCUMENTS

CA	2681439	11/2008
CA	2696242	2/2009
CN	10122784	7/2008
CN	101627222	1/2010
CN	101707885	5/2010
CN	10172099	6/2010
CN	101873811	10/2010
EP	1685019	8/2006
EP	1848293	10/2007
EP	1927294	6/2008
EP	1937466	7/2008
EP	1848293	7/2009
EP	2092210	8/2009
EP	2132516	12/2009
EP	2146177	1/2010
EP	2180802	5/2010
ES	2330138	12/2009
FR	2717659	9/1995
HK	1112163	11/2009
JP	54-148845	11/1979
SU	659134	4/1979
WO	91/05489	5/1991
WO	2006/005189	1/2006
WO	2006/088500	8/2006
WO	2006/089098	8/2006
WO	2006/089235	8/2006
WO	2007/035800	3/2007
WO	2008011708	1/2008
WO	2008/105840	9/2008
WO	2008/140650	11/2008
WO	2009/020583	2/2009
WO	2009/134334	11/2009
WO	2010/087957	8/2010

* cited by examiner

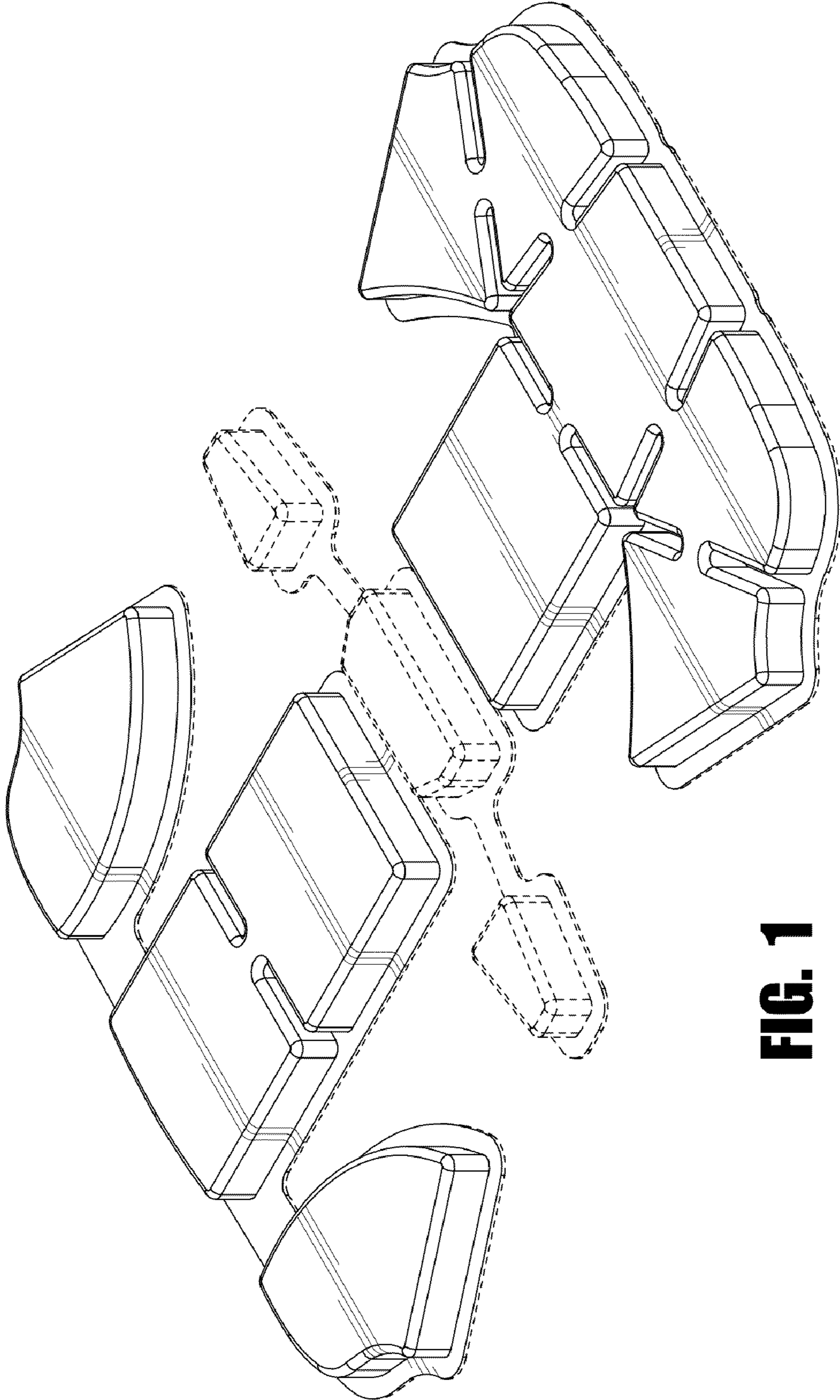


FIG. 1

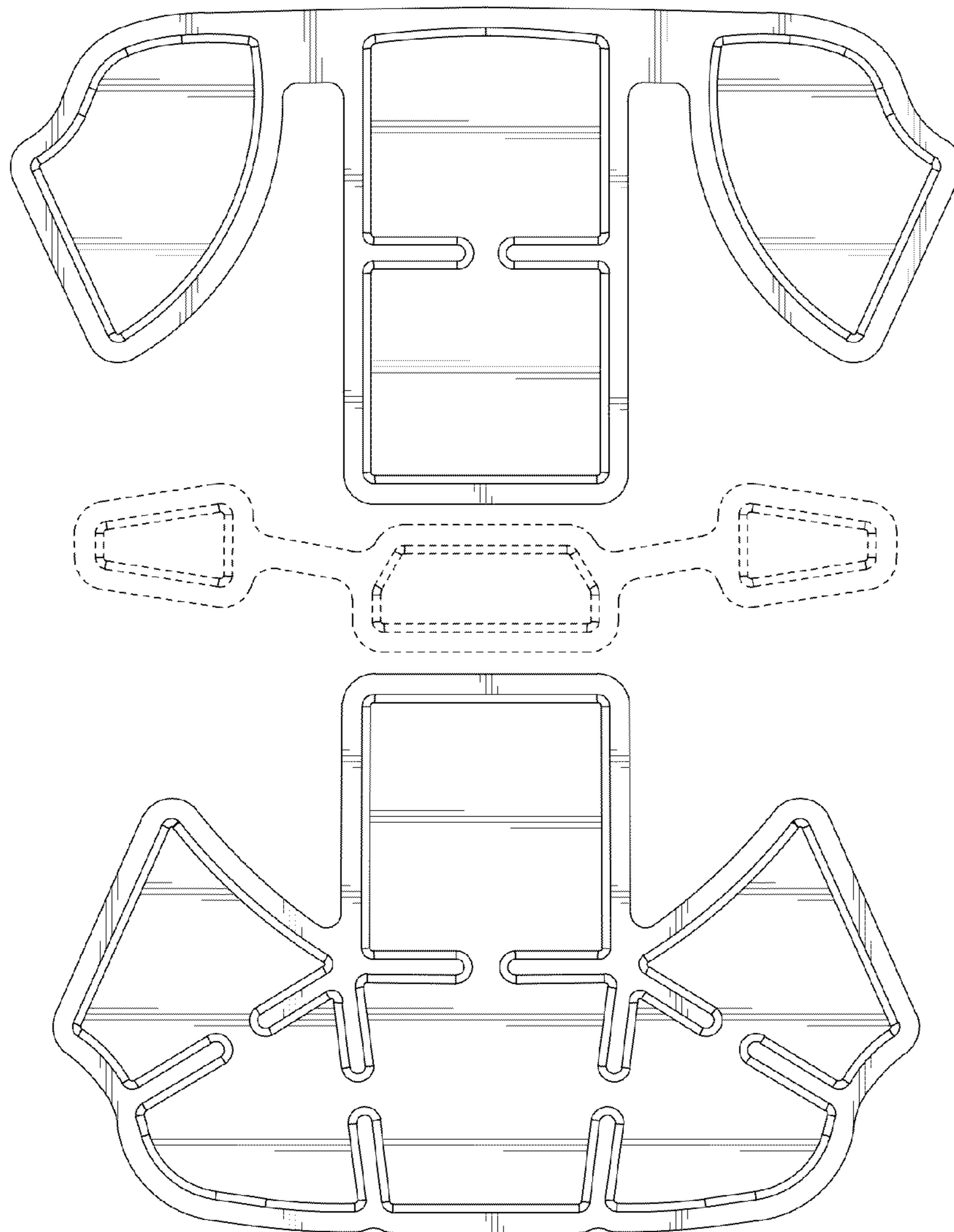


FIG. 2

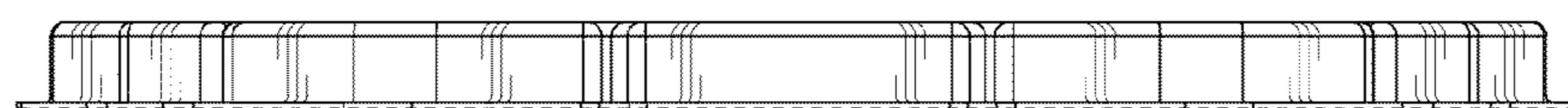


FIG. 3

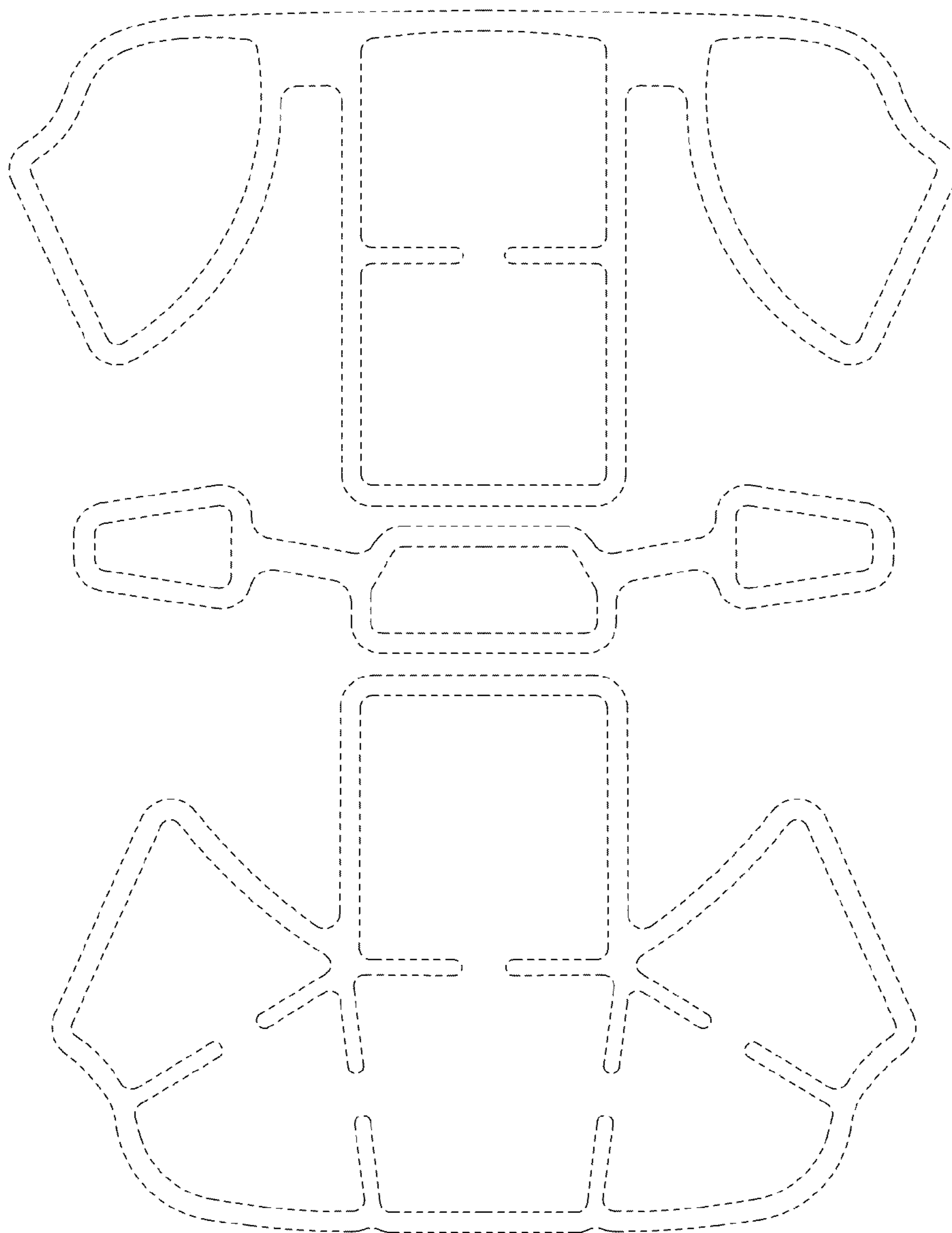


FIG. 4

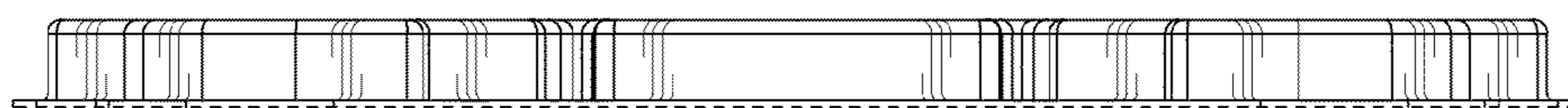


FIG. 5

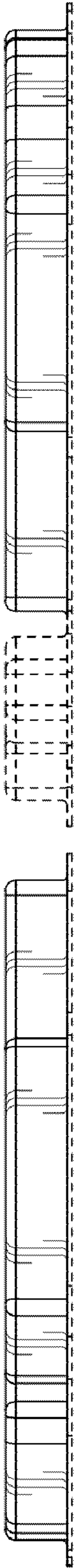


FIG. 6

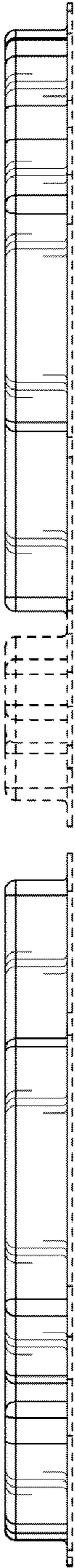


FIG. 7