



US00D679051S

(12) **United States Design Patent**
Martin

(10) **Patent No.:** **US D679,051 S**
(45) **Date of Patent:** **** Mar. 26, 2013**

(54) **LIGHTER**

(75) Inventor: **Stephane Martin**, Paris (FR)

(73) Assignee: **S.T. Dupont**, Paris (FR)

(**) Term: **14 Years**

(21) Appl. No.: **29/430,404**

(22) Filed: **Aug. 24, 2012**

(30) **Foreign Application Priority Data**

Feb. 27, 2012 (EM) 001998444-0002

(51) **LOC (9) Cl.** **27-05**

(52) **U.S. Cl.** **D27/141**

(58) **Field of Classification Search** D27/139,
D27/141, 142, 143, 147, 153, 154, 160; 431/126,
431/151, 153, 253–255, 267, 273–277
See application file for complete search history.

(56) **References Cited**

U.S. PATENT DOCUMENTS

4,049,370	A *	9/1977	Neyret	431/144
D452,931	S *	1/2002	Capilla	D27/154
D498,327	S *	11/2004	Cohen Harel	D27/154
D498,876	S *	11/2004	Lee et al.	D27/154
D512,179	S *	11/2005	Ruan	D27/156
D529,226	S *	9/2006	Park	D27/143
D539,471	S *	3/2007	Ruan	D27/154
D665,528	S *	8/2012	Qiu	D27/141
2008/0160466	A1 *	7/2008	Lin	431/152

OTHER PUBLICATIONS

Liberte lighter pearly white, S.T. Dupont, Paris, [online], [site visited Oct. 31, 2012]. Available from Internet, <URL: <http://www.st-dupont.com/en/catalogue/briquets/liberte-lighter-pearly-white>>.*

* cited by examiner

Primary Examiner — Robert M Spear

Assistant Examiner — Janice Hallmark

(74) *Attorney, Agent, or Firm* — Young & Thompson

(57) **CLAIM**

The ornamental design for a lighter, as shown and described.

DESCRIPTION

FIG. 1 is a front, left side, and top perspective view of a lighter showing the new design;

FIG. 2 is front, left side, and top perspective view thereof in an open configuration;

FIG. 3 is a front elevation view thereof;

FIG. 4 is a rear elevation view thereof;

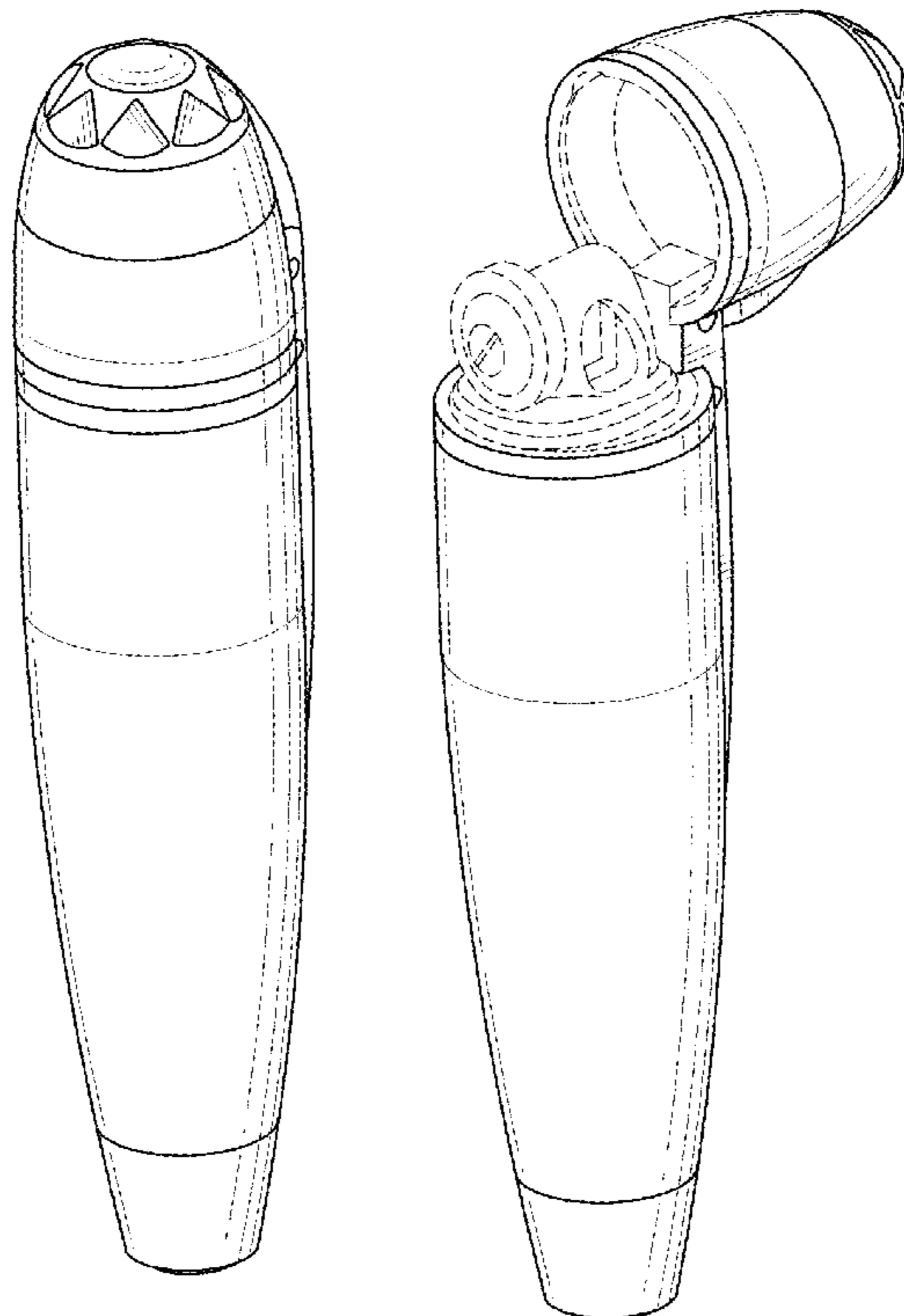
FIG. 5 is right side elevation view thereof, which is a mirror image of the left side elevation view;

FIG. 6 is a top plan view thereof; and,

FIG. 7 is a bottom plan view thereof.

The broken line showing is included for illustrative purposes only and forms no part of the claimed design.

1 Claim, 3 Drawing Sheets



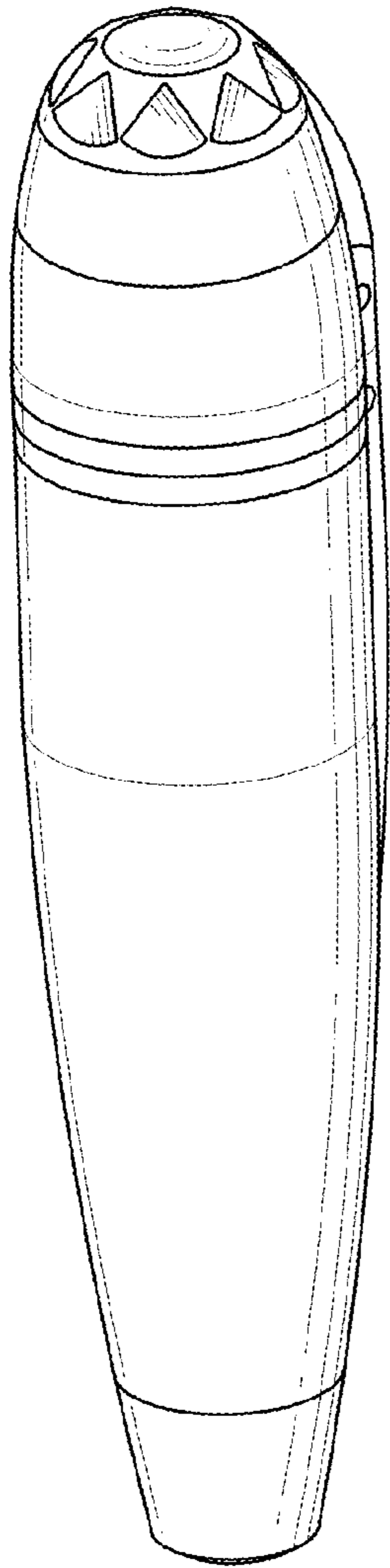


FIG. 1

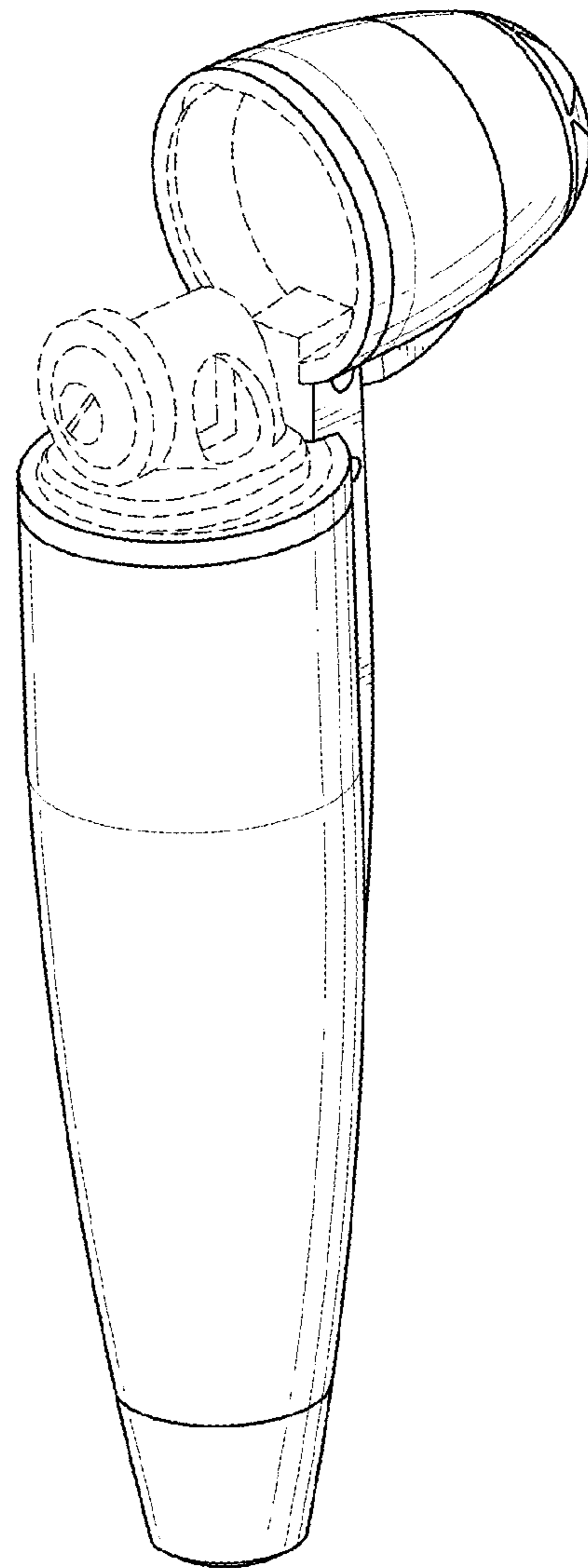


FIG. 2

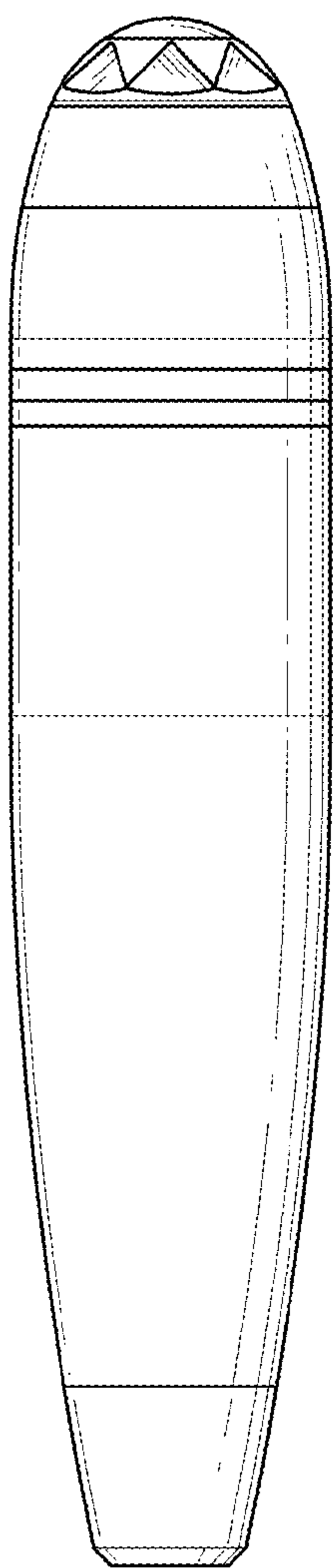


FIG. 3

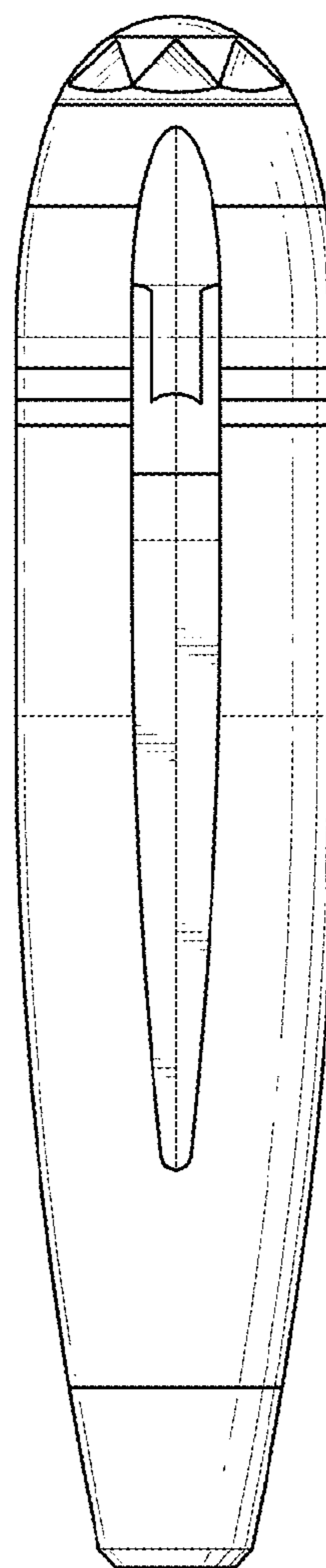


FIG. 4

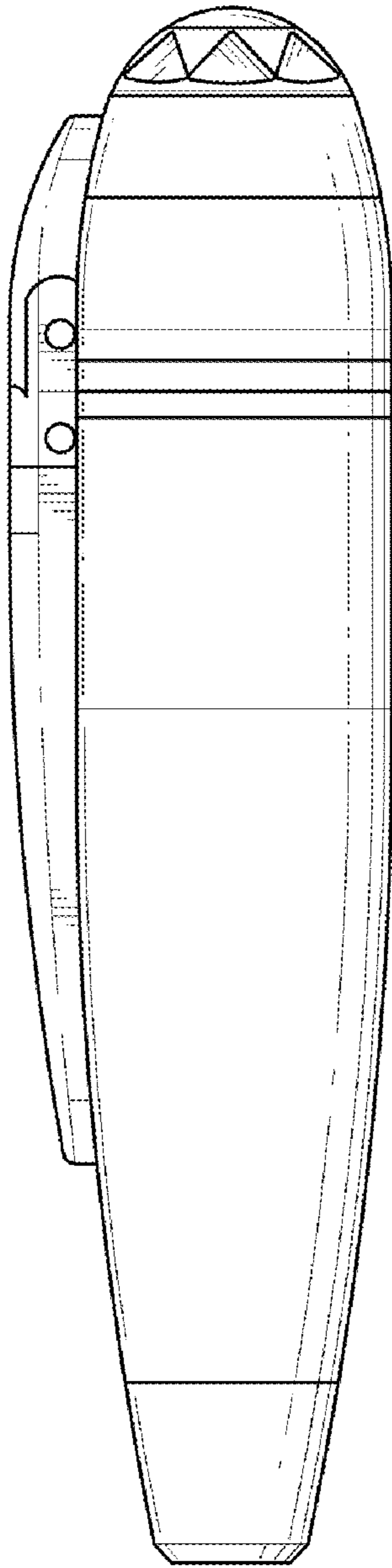


FIG. 5

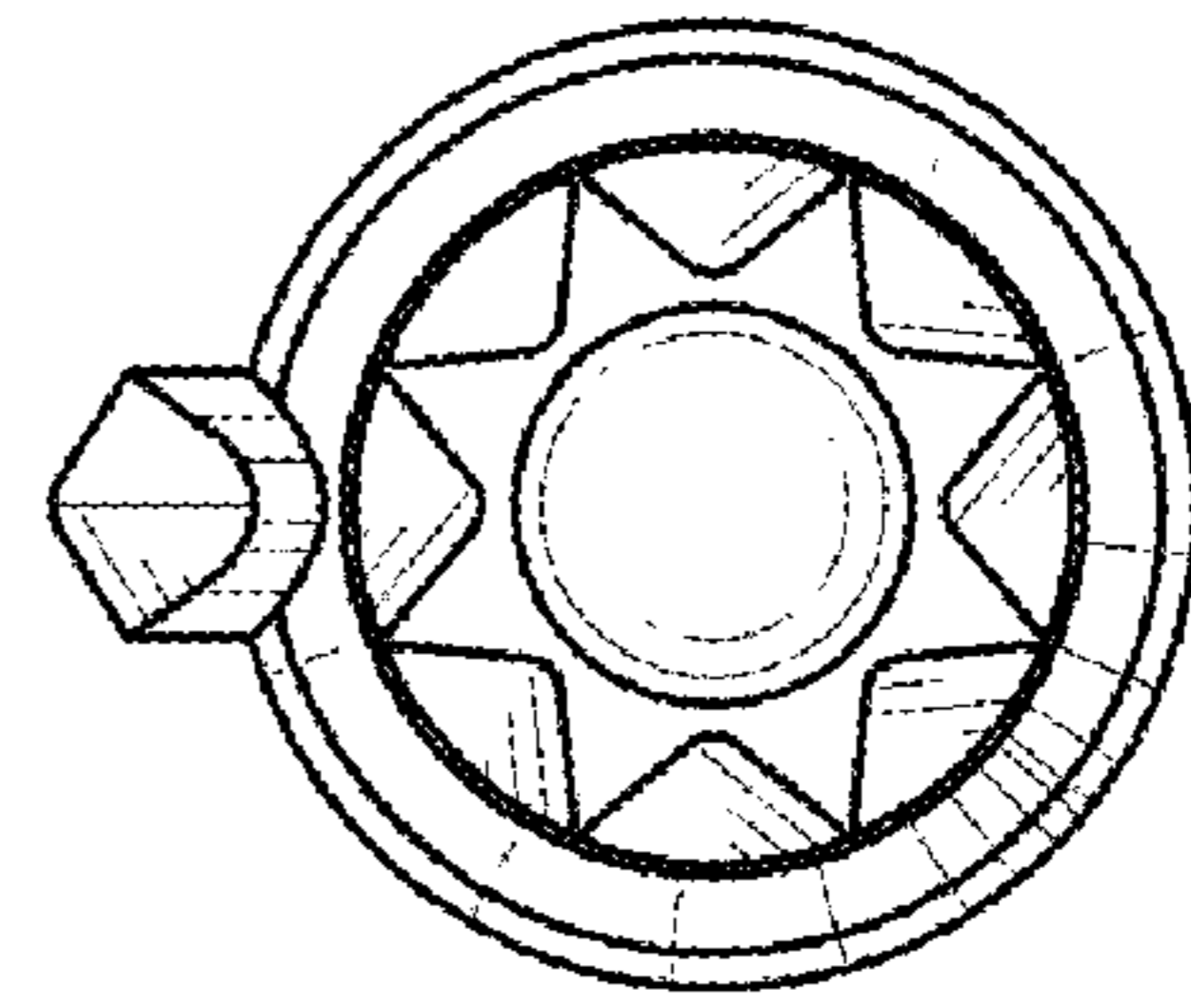


FIG. 6

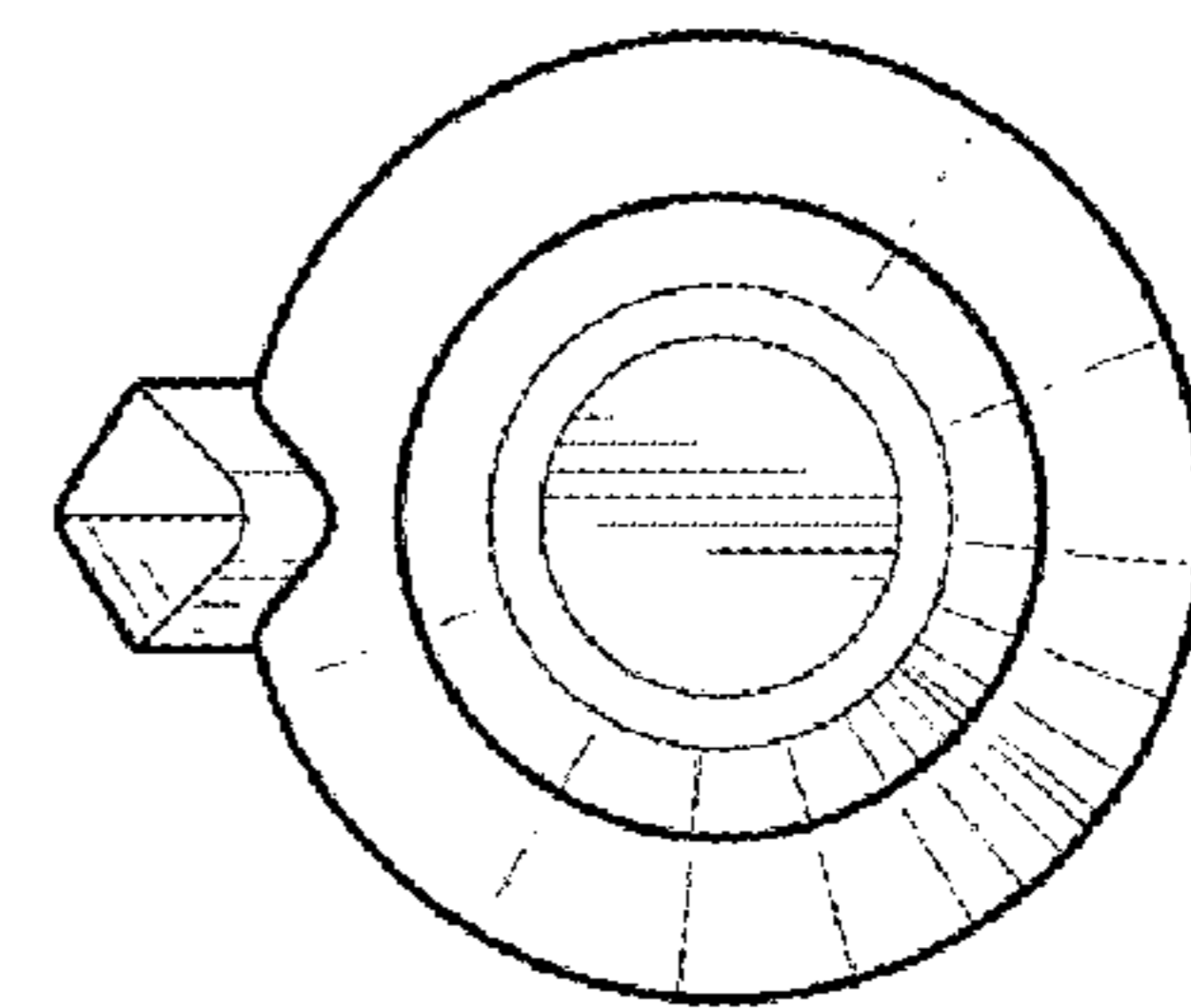


FIG. 7