



US00D679050S

(12) **United States Design Patent**
Akita

(10) **Patent No.:** **US D679,050 S**
(45) **Date of Patent:** **** Mar. 26, 2013**

(54) **FRAME FOR A VEHICLE LAMP**

(75) Inventor: **Naoki Akita**, Wako (JP)

(73) Assignee: **Honda Motor Co., Ltd**, Tokyo (JP)

(**) Term: **14 Years**

(21) Appl. No.: **29/396,284**

(22) Filed: **Jun. 28, 2011**

(30) **Foreign Application Priority Data**

Dec. 28, 2010 (JP) 2010-031380

(51) **LOC (9) Cl.** **26-99**

(52) **U.S. Cl.** **D26/139**

(58) **Field of Classification Search** D26/28-36,
D26/139; 362/61, 70-72, 80-83, 329-340,
362/459-468, 475-478, 485-487

See application file for complete search history.

(56) **References Cited**

U.S. PATENT DOCUMENTS

D375,568 S * 11/1996 Matthies D26/28
D509,923 S * 9/2005 Arthur et al. D26/139

D576,765 S * 9/2008 Song et al. D26/139
D608,498 S * 1/2010 Beigel et al. D26/139
D639,502 S * 6/2011 Heilaneh et al. D26/139

* cited by examiner

Primary Examiner — Marcus Jackson

(74) *Attorney, Agent, or Firm* — Westerman, Hattori,
Daniels & Adrian, LLP

(57) **CLAIM**

The ornamental design for a frame for a vehicle lamp, as shown and described.

DESCRIPTION

FIG. 1 is a front elevational view of a frame for a vehicle lamp showing my new design;

FIG. 2 is a top plan view thereof;

FIG. 3 is a bottom plan view thereof;

FIG. 4 is a right side elevational view thereof, the left side elevational view being a mirror image thereof;

FIG. 5 is a right front perspective view thereof;

FIG. 6 is a front elevational reference view thereof;

FIG. 7 is a cross sectional view taken along line 7-7 of FIG. 6; and,

FIG. 8 is a cross sectional view taken along line 8-8 in FIG. 6.

1 Claim, 5 Drawing Sheets

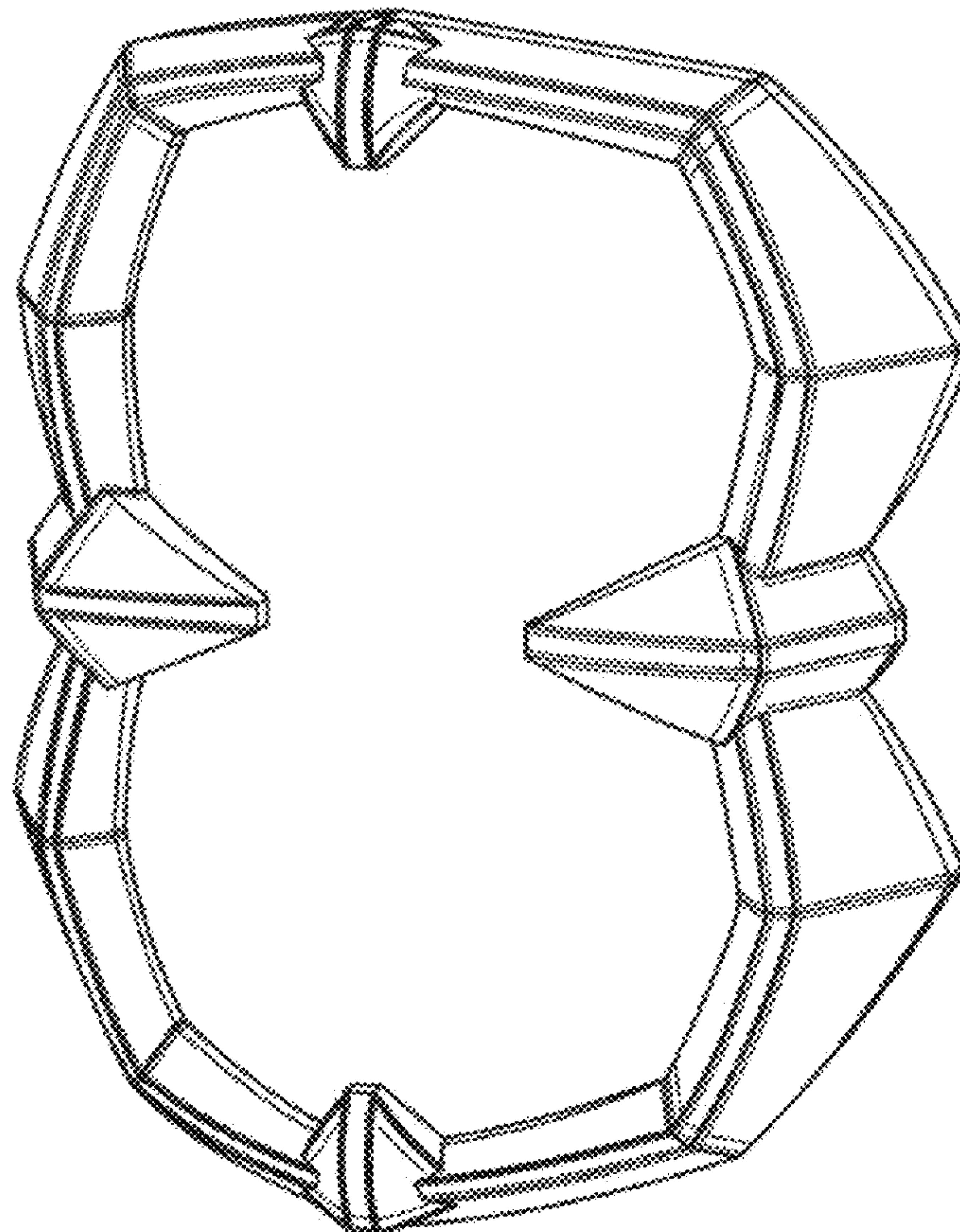


FIG.1

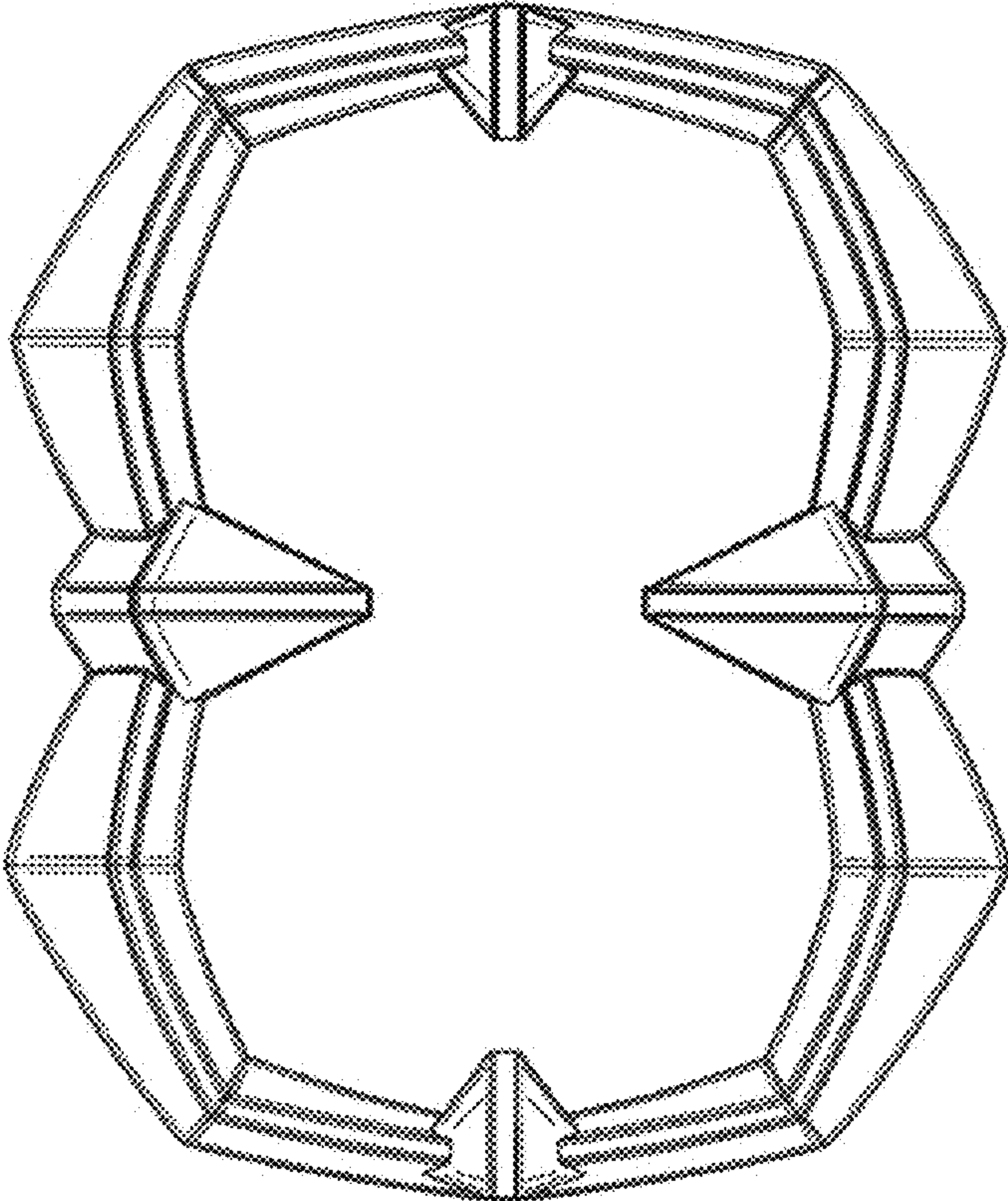


FIG.2

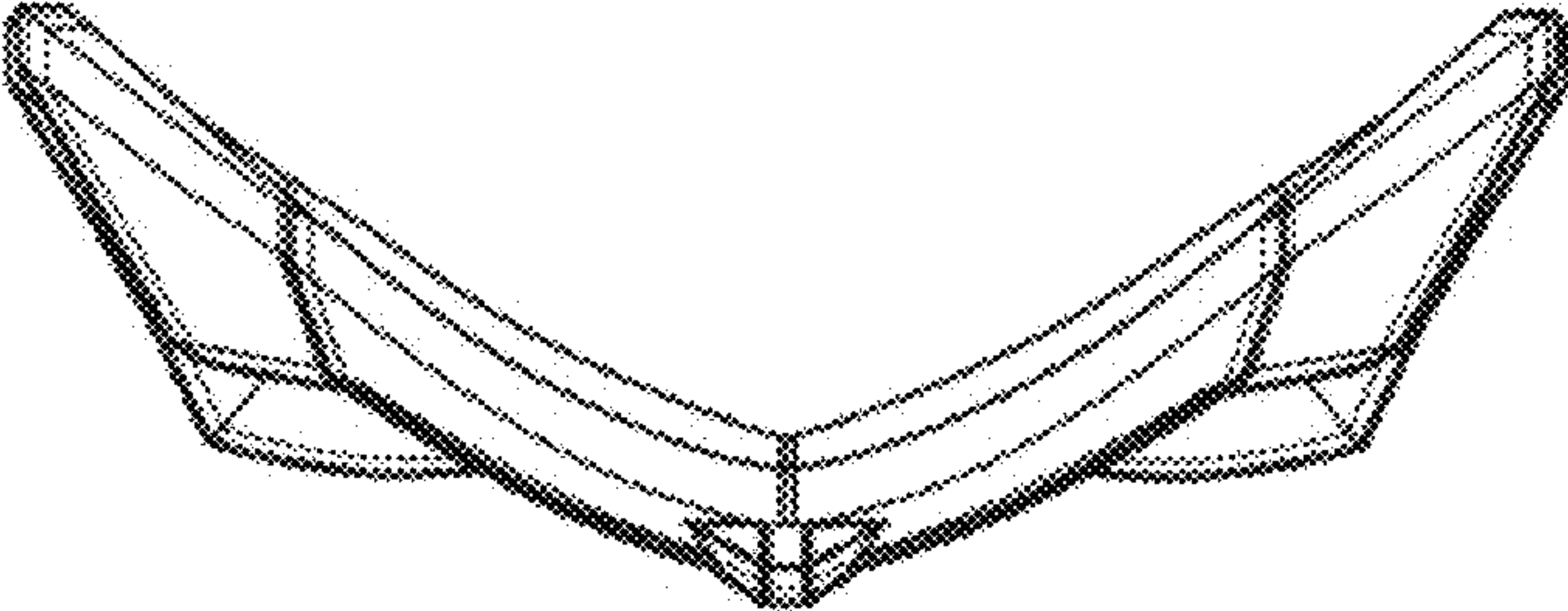


FIG.3

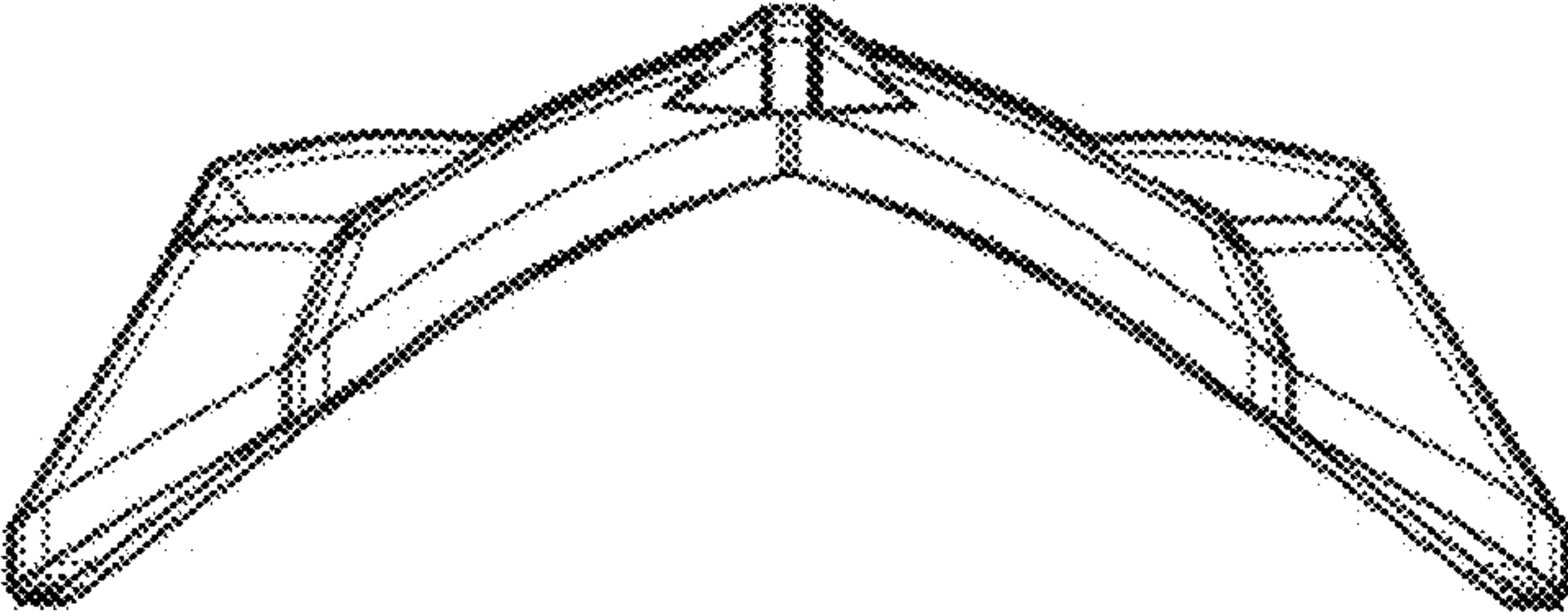


FIG.4

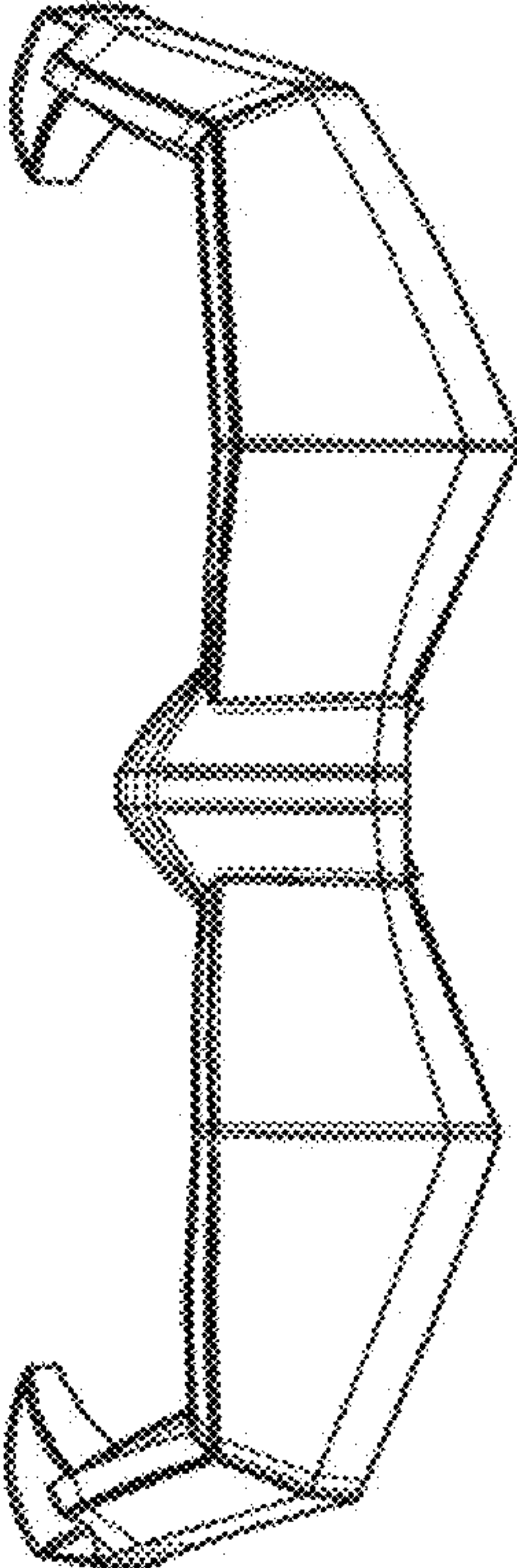


FIG. 5

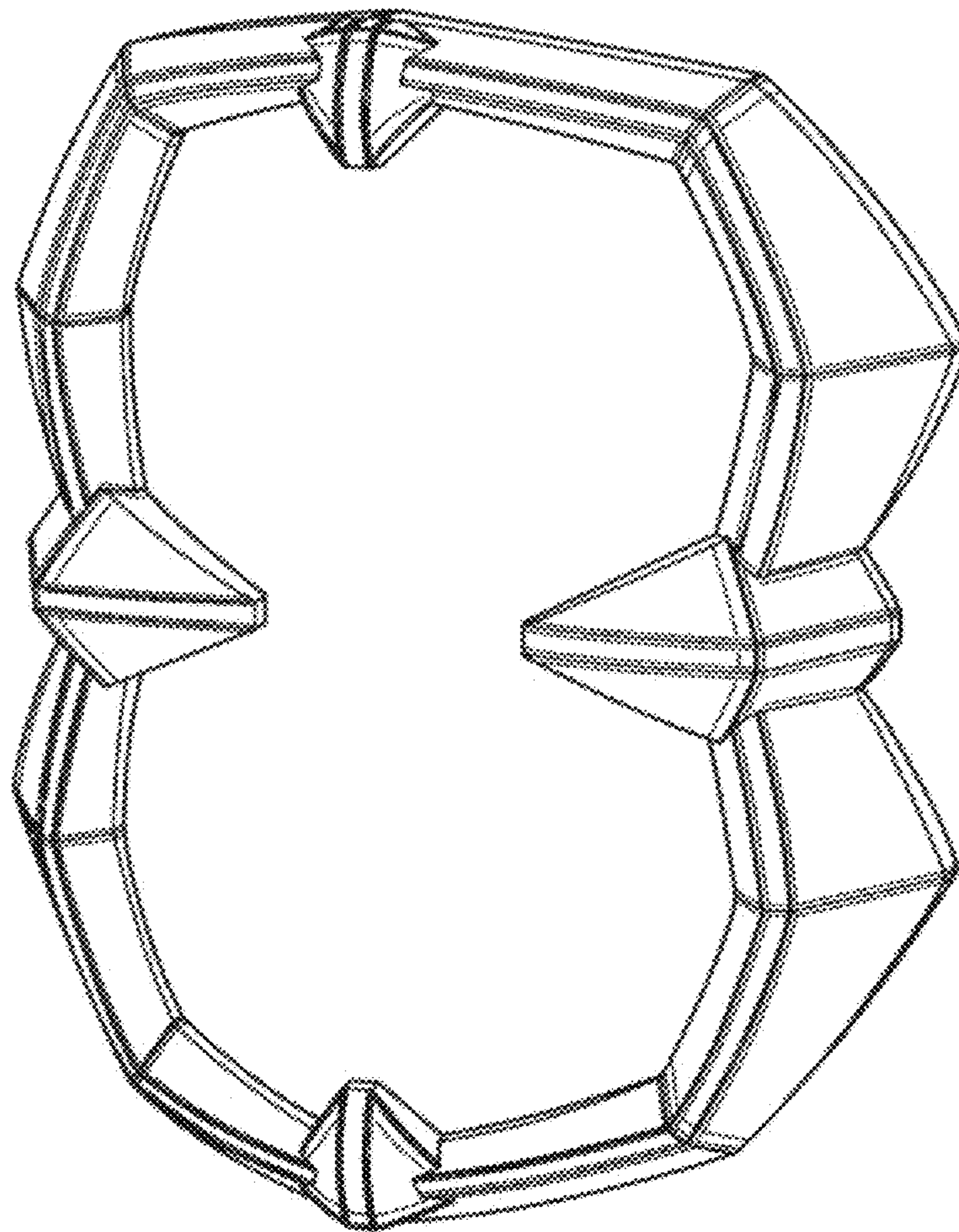


FIG.6

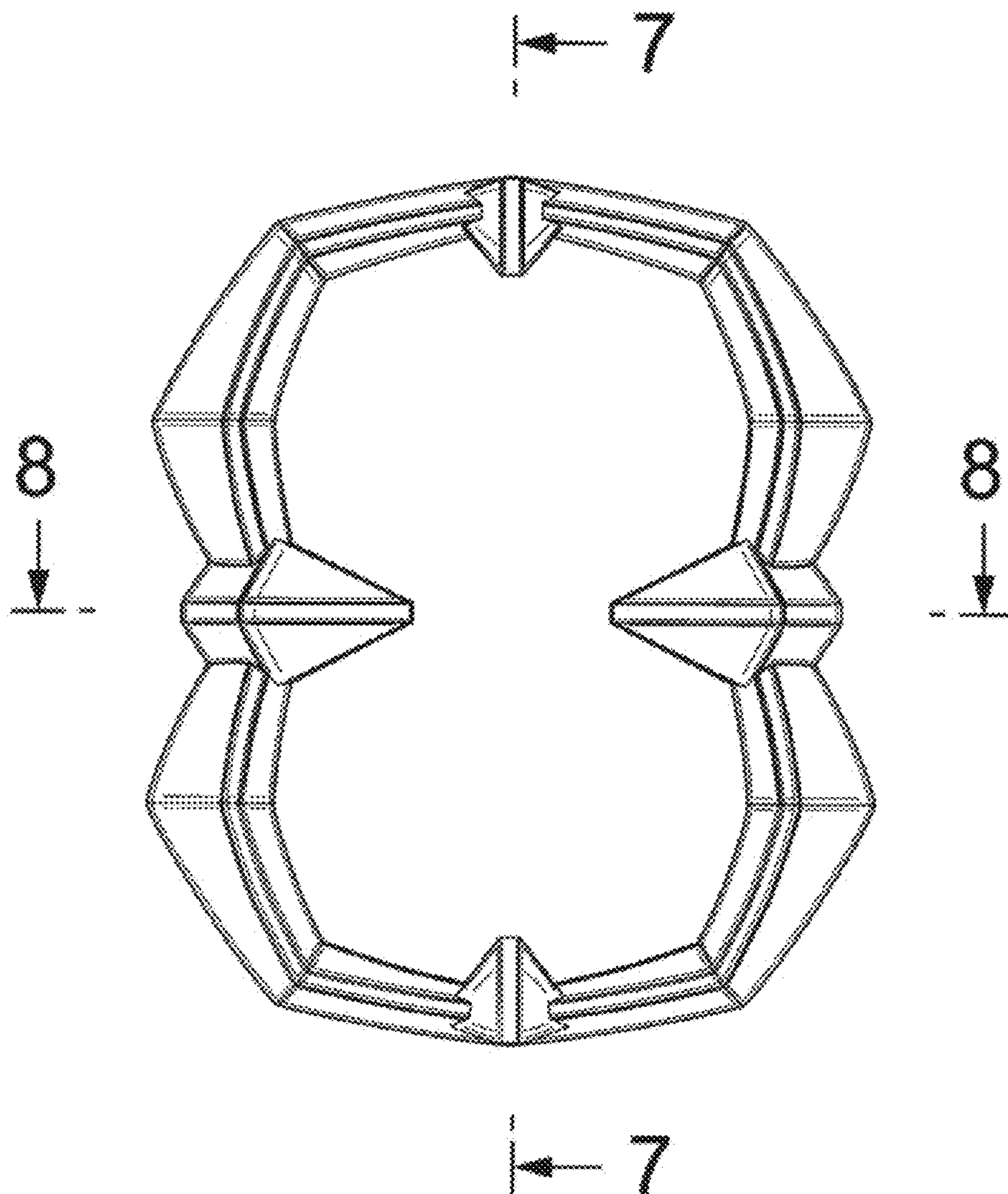


FIG.7

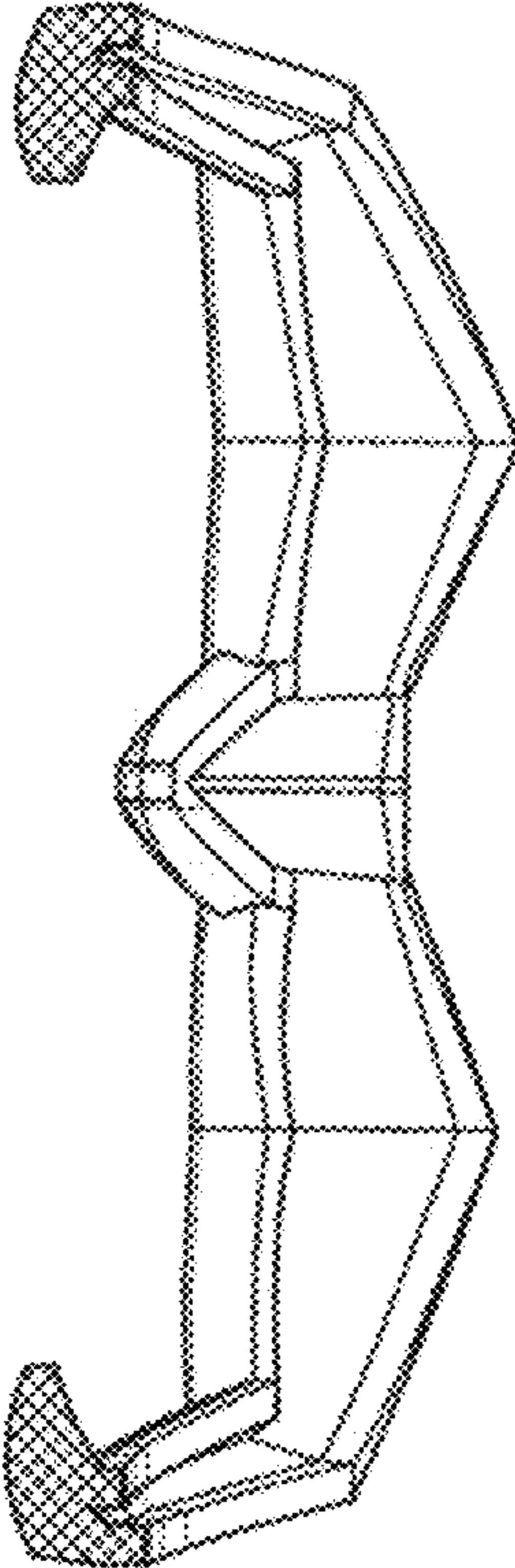


FIG.8

